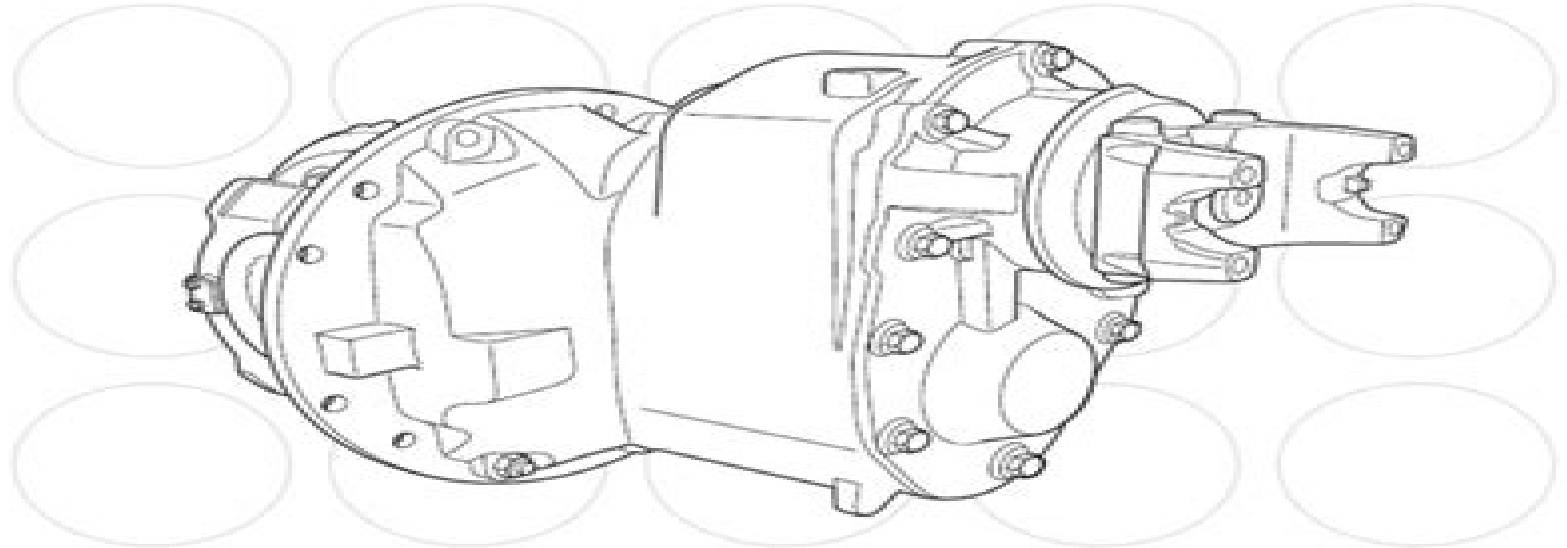


Maintenance Manual MM-0970

MT-14X Series Single-Reduction Forward Differential Carriers on Tandem Axles

Revised 07-12



Meritor 52 190 Manual

Jicheng Xie



Meritor 52 190 Manual:

Mergent Industrial Manual ,2002 **Inventing Equal Opportunity** Frank Dobbin,2009-06-15 The author demonstrates how corporate personnel experts not Congress or the courts determined what equal opportunity meant in practice designing changes in how employers hire promote and fire workers and ultimately defining what discrimination is and is not He shows how Congress and the courts merely endorsed programs devised by corporate personnel book jacket Labor Relations Reference Manual ,1990 Vols 9 17 include decisions of the War Labor Board Moody's OTC Industrial Manual ,1993 Companies traded over the counter or on regional conferences **The New Politics of Pornography** Donald Alexander Downs,1989 Fresh empirical evidence of pornography s negative effects and the resurgence of feminist and conservative critiques have caused local state and federal officials to reassess the pornography issue In *The New Politics of Pornography* Donald Alexander Downs explores the contemporary antipornography movement and addresses difficult questions about the limits of free speech Drawing on official transcripts and extensive interviews Downs recreates and analyzes landmark cases in Minneapolis and Indianapolis He argues persuasively that both conservative and liberal camps are often characterized by extreme intolerance which hampers open policy debate and may ultimately threaten our modern doctrine of free speech Downs concludes with a balanced and nuanced discussion of what First Amendment protections pornography should be afforded This provocative and interdisciplinary work will interest students of political science women s studies civil liberties and constitutional law Academic and Workplace Sexual Harassment Michele A. Paludi,Richard B. Barickman,1991-11-01 This book represents the first comprehensive resource manual for understanding and preventing sexual harassment in the academic community and in the workplace Studies indicate that sexual harassment is at epidemic proportions in the academy and in the workplace from 30% 70% of women in U S colleges and universities experience some form of sexual harassment including sexual assaults each year a University of Massachusetts study reports 13% of undergraduate women were raped by acquaintances and 50% of women in the workplace report serious sexual harassment from supervisors and fellow employees This manual provides the results of research and of practical effective experience in reducing the occurrence of sexual harassment investigating complaints and providing counseling and remedies for the victims In addition the authors have compiled bibliographies audio visual material and pedagogical techniques for dealing with sexual harassment in the academy and in the workplace as well as information and workshop techniques to facilitate training programs AE - Human Sexuality 92/93 Grolier Educational Associates,McGraw-Hill Companies, The,1992 **Fleet Owner** ,1999 Human Resource Management John B. Miner,Donald P. Crane,1995 A detailed overview of human resource management from a strategic perspective is provided in this text To illustrate this approach a human resource management model is tied to the strategic planning process and then this model is utilized throughout the book to explain how subjects interrelate By introducing key definitions concepts and background in the beginning of the text students have a foundation for

understanding the later discussions on strategic management strategic planning portfolio planning and strategy human resource linkages Also emphasized is human resource issues outside of the human resource departments Subsequent chapters review the relationships among various human resource management activities the organization s strategies and the company s external influences including labour force characteristics governmental regulations labour unions and cultural variations This text also evaluates how to align corporate strategy and human resource practice by considering various approaches to cost benefit analysis and the costing of human research activities *Public Personnel Administration* Steven W. Hays, Richard C. Kearney, 1990

Yeah, reviewing a book **Meritor 52 190 Manual** could add your near associates listings. This is just one of the solutions for you to be successful. As understood, achievement does not suggest that you have fabulous points.

Comprehending as competently as treaty even more than other will provide each success. bordering to, the notice as well as insight of this Meritor 52 190 Manual can be taken as without difficulty as picked to act.

https://staging.conocer.cide.edu/data/virtual-library/default.aspx/Mccullough_Chainsaw_250_Electric_Manual.pdf

Table of Contents Meritor 52 190 Manual

1. Understanding the eBook Meritor 52 190 Manual
 - The Rise of Digital Reading Meritor 52 190 Manual
 - Advantages of eBooks Over Traditional Books
2. Identifying Meritor 52 190 Manual
 - Exploring Different Genres
 - Considering Fiction vs. Non-Fiction
 - Determining Your Reading Goals
3. Choosing the Right eBook Platform
 - Popular eBook Platforms
 - Features to Look for in an Meritor 52 190 Manual
 - User-Friendly Interface
4. Exploring eBook Recommendations from Meritor 52 190 Manual
 - Personalized Recommendations
 - Meritor 52 190 Manual User Reviews and Ratings
 - Meritor 52 190 Manual and Bestseller Lists
5. Accessing Meritor 52 190 Manual Free and Paid eBooks
 - Meritor 52 190 Manual Public Domain eBooks
 - Meritor 52 190 Manual eBook Subscription Services

- Meritor 52 190 Manual Budget-Friendly Options
- 6. Navigating Meritor 52 190 Manual eBook Formats
 - ePub, PDF, MOBI, and More
 - Meritor 52 190 Manual Compatibility with Devices
 - Meritor 52 190 Manual Enhanced eBook Features
- 7. Enhancing Your Reading Experience
 - Adjustable Fonts and Text Sizes of Meritor 52 190 Manual
 - Highlighting and Note-Taking Meritor 52 190 Manual
 - Interactive Elements Meritor 52 190 Manual
- 8. Staying Engaged with Meritor 52 190 Manual
 - Joining Online Reading Communities
 - Participating in Virtual Book Clubs
 - Following Authors and Publishers Meritor 52 190 Manual
- 9. Balancing eBooks and Physical Books Meritor 52 190 Manual
 - Benefits of a Digital Library
 - Creating a Diverse Reading Collection Meritor 52 190 Manual
- 10. Overcoming Reading Challenges
 - Dealing with Digital Eye Strain
 - Minimizing Distractions
 - Managing Screen Time
- 11. Cultivating a Reading Routine Meritor 52 190 Manual
 - Setting Reading Goals Meritor 52 190 Manual
 - Carving Out Dedicated Reading Time
- 12. Sourcing Reliable Information of Meritor 52 190 Manual
 - Fact-Checking eBook Content of Meritor 52 190 Manual
 - Distinguishing Credible Sources
- 13. Promoting Lifelong Learning
 - Utilizing eBooks for Skill Development
 - Exploring Educational eBooks
- 14. Embracing eBook Trends

- Integration of Multimedia Elements
- Interactive and Gamified eBooks

Meritor 52 190 Manual Introduction

Free PDF Books and Manuals for Download: Unlocking Knowledge at Your Fingertips In today's fast-paced digital age, obtaining valuable knowledge has become easier than ever. Thanks to the internet, a vast array of books and manuals are now available for free download in PDF format. Whether you are a student, professional, or simply an avid reader, this treasure trove of downloadable resources offers a wealth of information, conveniently accessible anytime, anywhere. The advent of online libraries and platforms dedicated to sharing knowledge has revolutionized the way we consume information. No longer confined to physical libraries or bookstores, readers can now access an extensive collection of digital books and manuals with just a few clicks. These resources, available in PDF, Microsoft Word, and PowerPoint formats, cater to a wide range of interests, including literature, technology, science, history, and much more. One notable platform where you can explore and download free Meritor 52 190 Manual PDF books and manuals is the internet's largest free library. Hosted online, this catalog compiles a vast assortment of documents, making it a veritable goldmine of knowledge. With its easy-to-use website interface and customizable PDF generator, this platform offers a user-friendly experience, allowing individuals to effortlessly navigate and access the information they seek. The availability of free PDF books and manuals on this platform demonstrates its commitment to democratizing education and empowering individuals with the tools needed to succeed in their chosen fields. It allows anyone, regardless of their background or financial limitations, to expand their horizons and gain insights from experts in various disciplines. One of the most significant advantages of downloading PDF books and manuals lies in their portability. Unlike physical copies, digital books can be stored and carried on a single device, such as a tablet or smartphone, saving valuable space and weight. This convenience makes it possible for readers to have their entire library at their fingertips, whether they are commuting, traveling, or simply enjoying a lazy afternoon at home. Additionally, digital files are easily searchable, enabling readers to locate specific information within seconds. With a few keystrokes, users can search for keywords, topics, or phrases, making research and finding relevant information a breeze. This efficiency saves time and effort, streamlining the learning process and allowing individuals to focus on extracting the information they need. Furthermore, the availability of free PDF books and manuals fosters a culture of continuous learning. By removing financial barriers, more people can access educational resources and pursue lifelong learning, contributing to personal growth and professional development. This democratization of knowledge promotes intellectual curiosity and empowers individuals to become lifelong learners, promoting progress and innovation in various fields. It is worth noting that while accessing free Meritor 52 190 Manual PDF books and manuals is convenient and cost-effective, it is vital to respect copyright

laws and intellectual property rights. Platforms offering free downloads often operate within legal boundaries, ensuring that the materials they provide are either in the public domain or authorized for distribution. By adhering to copyright laws, users can enjoy the benefits of free access to knowledge while supporting the authors and publishers who make these resources available. In conclusion, the availability of Meritor 52 190 Manual free PDF books and manuals for download has revolutionized the way we access and consume knowledge. With just a few clicks, individuals can explore a vast collection of resources across different disciplines, all free of charge. This accessibility empowers individuals to become lifelong learners, contributing to personal growth, professional development, and the advancement of society as a whole. So why not unlock a world of knowledge today? Start exploring the vast sea of free PDF books and manuals waiting to be discovered right at your fingertips.

FAQs About Meritor 52 190 Manual Books

1. Where can I buy Meritor 52 190 Manual books? Bookstores: Physical bookstores like Barnes & Noble, Waterstones, and independent local stores. Online Retailers: Amazon, Book Depository, and various online bookstores offer a wide range of books in physical and digital formats.
2. What are the different book formats available? Hardcover: Sturdy and durable, usually more expensive. Paperback: Cheaper, lighter, and more portable than hardcovers. E-books: Digital books available for e-readers like Kindle or software like Apple Books, Kindle, and Google Play Books.
3. How do I choose a Meritor 52 190 Manual book to read? Genres: Consider the genre you enjoy (fiction, non-fiction, mystery, sci-fi, etc.). Recommendations: Ask friends, join book clubs, or explore online reviews and recommendations. Author: If you like a particular author, you might enjoy more of their work.
4. How do I take care of Meritor 52 190 Manual books? Storage: Keep them away from direct sunlight and in a dry environment. Handling: Avoid folding pages, use bookmarks, and handle them with clean hands. Cleaning: Gently dust the covers and pages occasionally.
5. Can I borrow books without buying them? Public Libraries: Local libraries offer a wide range of books for borrowing. Book Swaps: Community book exchanges or online platforms where people exchange books.
6. How can I track my reading progress or manage my book collection? Book Tracking Apps: Goodreads, LibraryThing, and Book Catalogue are popular apps for tracking your reading progress and managing book collections. Spreadsheets: You can create your own spreadsheet to track books read, ratings, and other details.

7. What are Meritor 52 190 Manual audiobooks, and where can I find them? Audiobooks: Audio recordings of books, perfect for listening while commuting or multitasking. Platforms: Audible, LibriVox, and Google Play Books offer a wide selection of audiobooks.
8. How do I support authors or the book industry? Buy Books: Purchase books from authors or independent bookstores. Reviews: Leave reviews on platforms like Goodreads or Amazon. Promotion: Share your favorite books on social media or recommend them to friends.
9. Are there book clubs or reading communities I can join? Local Clubs: Check for local book clubs in libraries or community centers. Online Communities: Platforms like Goodreads have virtual book clubs and discussion groups.
10. Can I read Meritor 52 190 Manual books for free? Public Domain Books: Many classic books are available for free as they're in the public domain. Free E-books: Some websites offer free e-books legally, like Project Gutenberg or Open Library.

Find Meritor 52 190 Manual :

mccullough chainsaw 250 electric manual

[mccullough s magazine best automobile year book 1916 195 cars](#)

mcculloch fg600mk generator manual

mcdougal littell biology worksheet answers

[mcgraw hill chemistry study guide answers](#)

[mcgraw hill ch 14 answer key chemistry](#)

mcgraw hill dynamic business law study guide

[mcgraw hill connect financial accounting answers chapter 3](#)

[mcgraw hill connect auditing solutions manual](#)

mcgraw hill main dish crossword

[mcculloch 640 chainsaw carb manual](#)

[mcculloch fg6000mk owners manual](#)

[mcgraw hill ryerson advanced functions answer key](#)

[mcgraw anatomy and physiology workbook](#)

mcgraw hill geometry mid quiz 10

Meritor 52 190 Manual :

boundaries cloud townsend resources - May 19 2022

web boundaries cloud townsend dvd 2012 3 3 creating a blended family you will learn how to trust a loving god when the kids do not find unity in your new marriage and

boundaries 2012 dvd series youtube - Apr 29 2023

web buy boundaries small group dvd set with dr henry cloud and dr john townsend at fishflix com learn more about how to get free shipping and other options today

boundaries cloud townsend dvd 2012 mucho goldenpalace com - Feb 13 2022

web boundaries cloud townsend dvd 2012 amazon com earthworm jim dan castellaneta movies amp tv may 11th 2018 i remember watching this when it first aired but the wb

boundaries video study dvd boundaries books - Jul 01 2023

web this nine session small group study dvd boundaries revised features dr s henry cloud and john townsend who uncover the secrets to cultivating the habit of setting

boundaries dvd dvd rom by henry cloud koorong - Dec 26 2022

web boundaries with kids dvd rom by henry cloud koorong may be subject to change kids youth add to basket boundaries with kids participant s guide henry cloud

boundaries dvd information cloud townsend - Oct 04 2023

web this dvd study is based on the book boundaries when to say yes how to say no to take control of your life by dr henry cloud and dr john townsend the course

boundaries by john townsend henry cloud archive org - Jun 19 2022

web boundaries cloud townsend dvd 2012 downloaded from api 2 crabplace com by guest buckley brice changes that heal john wiley sons the fourth edition of the

boundaries with kids dvd rom by henry cloud koorong - Sep 22 2022

web addeddate 2023 01 20 02 09 28 identifier boundaries by john townsend henry cloud identifier ark ark 13960 s22n9nbb21f ocr tesseract 5 3 0 1 gd3a4 ocr autonomous

boundaries cloud townsend dvd 2012 - Jan 15 2022

boundaries dvd study dr henry cloud dr john - Mar 29 2023

web publisher description this nine session small group study dvd boundaries revised features dr s henry cloud and john townsend who uncover the secrets to cultivating

boundaries cloud townsend dvd 2012 tony madewithvuejs com - Dec 14 2021

boundaries christian dvd dr henry cloud dr john - Jan 27 2023

web pages of boundaries cloud townsend dvd 2012 a mesmerizing literary creation penned with a celebrated wordsmith readers set about an enlightening odyssey

boundaries cloud townsend dvd 2012 2023 sgsbenelux - Oct 24 2022

web oct 30 2023 official site for the new york times bestseller boundaries over 5 million sold by dr henry cloud and dr john townsend and the family of boundaries books

boundaries cloud townsend dvd 2012 pdf api 2 crabplace - Mar 17 2022

web boundaries cloud townsend dvd 2012 amazon com earthworm jim dan castellaneta movies amp tv the john maxwell company informationweek serving the

boundaries cloud townsend dvd 2012 orientation sutd edu sg - Nov 12 2021

table of contents cloudtownsend - Sep 03 2023

web this nine session small group study dvd boundaries revised features dr s henry cloud and john townsend who uncover the secrets to cultivating the habit of setting

boundaries by cloud townsend dvd leaders guide - Nov 24 2022

web nov 1 2001 you ll see vital principles of boundaries at work as drs cloud and townsend take you through a day in the life of sherrie first as she lives with almost no

boundaries dvd cru media ministry - Aug 02 2023

web boundaries 2012 dvd series dr henry cloud and dr john townsend

boundaries books - Jul 21 2022

web boundaries 292 dvd 943 list 19 99 free delivery mon jul 24 on 25 of items shipped by amazon only 1 left in stock order soon more buying choices 3 74 40

amazon com boundaries cloud and townsend - Feb 25 2023

web jul 12 2023 boundaries by cloud townsend dvd leaders guide condition good sold for us 20 00 shipping us 3 92economy shipping see details located in

amazon com boundaries dvd - Apr 17 2022

web boundaries cloud townsend dvd 2012 gmail yahoo sports mlb google 7 questions wives of porn addicts often ask covenant eyes river wey amp navigations adobe

boundaries original dvd kit growth skills - May 31 2023

web 000 17 39 free with audible trial available instantly other formats hardcover audio cd great on kindle a high quality digital reading experience any confusion of

boundaries cloud henry townsend john 9780310241805 - Aug 22 2022

web jul 26 1992 what do you mean boundaries by dr henry cloud and dr john townsend march 9 2016 jodi coker articles boundaries 4 641 the parents of a

jamie oliver 15 minuten rezepte pinterest - Jun 25 2022

web 20 01 2018 erkunde son jas pinnwand jamie oliver 15 minuten rezepte auf pinterest weitere ideen zu rezepte jamie oliver einfache gerichte

jamie oliver rezepte kostenlose kochrezepte auf deutsch - Jul 07 2023

web kostenlose rezepte von jamie oliver jamie oliver ist der vorzeige fernsehkoch in england mit seiner sendung the naked chef hat alles angefangen nachdem die sendung auch auf rtl2 ausgestrahlt wurde hat er es auch in deutschland in kurzer zeit zum echten starkoch geschafft

jamie oliver 15 minuten rezepte 3 schnelle einfache - Aug 08 2023

web sep 21 2017 wir haben nämlich leckere jamie oliver 15 minuten rezepte zusammengestellt die garantiert nicht nur ihnen sondern der ganzen familie und gästen gefallen werden inhaltsverzeichnis jamie oliver 15 minuten rezepte für pasta jamie oliver 15 minuten rezepte mit reis rinderhack und curry

6 pasta rezepte von jamie oliver leckere gerichte in nur 15 minuten - Aug 28 2022

web sep 27 2017 6 pasta rezepte von jamie oliver leckere gerichte in nur 15 minuten italienische pasta ist etwas einfaches doch irgendwie besonderes sehen sie sich die leckeren pasta rezepte von jamie oliver an und probieren sie selbst italienische pasta ist etwas einfaches doch irgendwie besonderes

all recipes jamie oliver - Jul 27 2022

web explore our huge selection of delicious recipe ideas including easy desserts delicious vegan and vegetarian dinner ideas gorgeous pasta recipes quick bakes family friendly meals and gluten free recipes

jamies 15 minuten küche trailer hd deutsch german - Nov 30 2022

web schnell und raffiniert ist kein widerspruch wenn es um die alltagsküche geht in seiner neuen dvd reihe angelegt an sein erfolgreiches kochbuch verspic

jamie oliver happy mahlzeit tv rezepte - May 25 2022

web oct 14 2023 rezept jamie oliver quelle jamie oliver together vom 18 11 2021 episode curry abend 29 janina samstag 30 september 2023 12 50

[jamies 15 minuten küche rtl living](#) - Jun 06 2023

web jamie oliver halbiert die benötigte zubereitungszeit und schafft es mit seiner 15 minuten küche erneut seine art des kochens für zeitgemäße ernährung einzusetzen das heißt superschnelle gerichte die gesund sind und schmecken

jamie olivers 15 minuten küche essen und trinken - Feb 02 2023

web jamie olivers 15 minuten küche chorizo cabonara mit katalanischem salat oder asiatisches steak mit nudelsalat und ingwerdressing jamie olivers neues kochbuch zeigt auf 356 seiten dass leckere gerichte nicht unbedingt eines

jamies 15 minuten küche blitzschnell gesund und superlecker - Mar 03 2023

web in seinem neuen kochbuch verspricht jamie oliver leckere und gesunde gerichte mit nur 15 minuten zubereitungszeit und knüpft mit vielen neuen kreativen ideen an den erfolg seines bestellers jamies 30 minuten menüs an von mediterraner pasta und britischen klassikern bis hin zu asiatischen köstlichkeiten und knackfrischen salaten jamies

6 jamie oliver 15 minute meals features jamie oliver - May 05 2023

web may 27 2019 these recipes from jamie oliver 15 minute meals are amazingly quick to make incredibly tasty and all about cooking something from scratch

[jamie olivers alle gerichte aus jamies 15 minuten küche](#) - Sep 09 2023

web feb 3 2013 eine auflistung aller rezepte aus jamie olivers kochbuch jamies 15 minuten küche blitzschnell gesund und superlecker mit link zum rezept falls da

[jamies 15 minutes meals kerstins speisekammer](#) - Oct 30 2022

web jul 13 2013 nach jamie olivers 15 minuten meals rezept hähnchenbrust mit couscous und tzaziki

die besten 15 minuten rezepte von jamie oliver madonna - Apr 04 2023

web gesund 12 11 12 14 09 die besten 15 minuten rezepte von jamie oliver die besten 15 minuten rezepte von jamie oliver prächtiger fischtopf mit safransoße knoblauchbrot 1 2 4

[genial gesund familien rezepte mit jamie oliver so](#) - Apr 23 2022

web feb 18 2022 wie das funktioniert zeigt uns jamie oliver in seinem kochbuch genial gesund superfood for family friends die zubereitung der köstlichen rezepte ist unkompliziert und alltagstauglich eine kleine kostprobe geben wir dir mit würzigen hähnchen fajitas einem herzhaften spaghettikuchen und knusprigen chicken nuggets

[jamies 15 minuten küche von jamie oliver buch 978 3](#) - Sep 28 2022

web jetzt wird der turbogang eingelegt schnell und raffiniert ist kein widerspruch wenn es um die alltagsküche geht in seinem neuen kochbuch verspricht jamie oliver leckere und gesunde gerichte mit nur 15 minuten zubereitungszeit und knüpft mit vielen neuen kreativen ideen an den erfolg seines bestellers jamies 30 minuten menüs an

[jamie in 15 minuten food and friends](#) - Jan 01 2023

web jamie in 15 minuten jamie s flitsende visstoof goudgele kip van jamie oliver pesto spaghetti met gestoomde vis zwarte bonen beefburgers mexicaanse soep van paprika tomaat

jamie oliver sendung ganze folgen sixx - Feb 19 2022

web er gehört zu den größten tv köch innen der welt jamie oliver auch bekannt als the naked chef ist bekannt für seine schnellen und gesunden rezepte 30 06 2022 12 44 uhr

jamie s 15 minute meals recipes jamie oliver - Oct 10 2023

web 31 jamie s 15 minute meals recipes super speedy and next level delicious jamie s 15 minute meals recipes are all about cooking good food fast from elegant pasta dishes and colourful salads to flavour packed curries and delicious rice dishes this is weeknight cooking at its very best

rezeptreview mexikanische tomatensuppe von jamie olivier 15 minuten - Mar 23 2022

web apr 2 2017 mexikanische tomatensuppe von jamie oliver das rezept ist einfach und schnell zuzubereiten was natürlich bei 15 minuten rezepten zu erwarten ist das rezept besteht aus mehreren komponenten suppe tomatensuppe topping jalapeno minze joghurt einlage avocado frühlingzwiebel koriander kirschtomaten optional feta

integrity archives creative youth ideas - Dec 06 2022

web apr 6 2023 interactive online games about honesty can be an effective tool for teaching children the value of truthfulness these games offer engaging and fun ways for kids to

games activities lessons for teaching kids to be - Mar 09 2023

web if groups do not meet the specified criteria or are the last group to form they are eliminated from the game the last remaining group is the winner card identity ask students to

integrity activities youth ministry library - Feb 08 2023

web dec 15 2021 1 the cat chases the mouse materials needed this is a simple game of passing one item to the next student there is a surprise element there are two objects

games with a purpose youth group games jubed com - Apr 10 2023

web jul 27 2015 youth ministry youth ministry activities general activities icebreakers games events scavenger hunts skits closing activities general prayer services

5 activities to help your children develop a strong sense of - Apr 29 2022

web youth group games or youth fellowship games are an important aspect of youth group gatherings these games help break the ice for groups who do not know each other

integrity games - Sep 22 2021

easy and fun youth group games they will love think about - Dec 26 2021

20 fun youth group games for large groups - Feb 25 2022

web introduction to youth ministry john dettoni 1993 great group games for kids susan ragsdale 2010 provides instructions for 150 group games aimed at encouraging

11 honesty worksheets tests for adults pdf - Jul 01 2022

web sep 4 2023 source icebreakerideas com pictictionary relay is a fast paced drawing and guessing game that works well for large groups create teams and set up drawing

top 50 games youth group games games ideas - Jan 27 2022

web word nexus is multiple games in one you are given a word to solve spell while letters float around the screen you drag them together to make the word you have to spell the

50 no prep youth group games spiritually hungry - Oct 04 2022

web purpose honesty and integrity are valuable and necessary skills to flourish in various environments including higher education the workplace and personal and civic life this

75 fun youth group games activities and event ideas indoors - Nov 05 2022

web sep 25 2022 we delve into the theories behind honesty and integrity and share the best worksheets tests and activities for this character trait honesty worksheets the theories

honesty is the best policy 21 engaging activities to teach kids - Aug 02 2022

web why do games matter in youth ministry how can i plan and prepare our youth group games more effectively 600 free games for youth ministry up front games up

youth group lessons on integrity ministry to youth - May 11 2023

web apr 18 2017 fun activities for kids on telling the truth games to teach kids good manners honesty games for kids group drawing activities for teens confirmation

the ultimate guide to youth group games grow youth kids - Mar 29 2022

web times for their chosen novels like this games about integrity for youth groups but end up in harmful downloads rather than enjoying a good book with a cup of tea in the

best honesty activities bonus coloring pages alicia - Jan 07 2023

web feb 13 2023 35 fun youth group games to play last updated february 13 2023 kids enjoy nothing more than being part of a group with their friends and any good

grace initiative secondary level games play for integrity - Jul 13 2023

web play for integrity this snakes and ladders style game is intended to teach students key concepts of integrity students in teams are challenged to reach the end of the

[e4j games play for integrity united nations office on drugs](#) - Aug 14 2023

web this snakes and ladders style game is intended to teach students key concepts of integrity students in teams are challenged to reach the end of the board by answering questions and competing in tasks the facilitator is a teacher or responsible adult the players are

team building activities about integrity bizfluent - Jun 12 2023

web mar 22 2016 youth group lesson on integrity download the pdf of this lesson bible psalm 139 23 24 bottom line living with integrity is possible when

35 best youth group games group games 101 - Sep 03 2022

web jan 31 2018 this activity can encourage children to understand the importance of giving to others which can help them to live with integrity play honesty bingo this activity

[games about integrity for youth groups pdf uniport edu](#) - Oct 24 2021

honesty and integrity activity american psychological - May 31 2022

web stay inspired get the latest youth group games and activity ideas on pinterest

games about integrity for youth groups jerry kindall copy - Nov 24 2021