



6e. INSTALLATION

1. Flywheel

(a) Remove the nut and washer from the pinion shaft then using a hoist lift the flywheel into position on the flywheel hub.

(b) Secure the flywheel to the hub with the shear bolt (1-18) ensuring that the head is to the rear then tighten to 21.5 to 24.5Nm (16 to 18lbf).

(c) Locate the dogs (2-21) in the clutch hub, if these were removed, ensuring that the longest part of the leg is to the outside, then install the pins (5-21).

(d) Position the over-running clutch in the flywheel then install the washer (2-17) and nut (1-17).

(e) Tighten the nut to 204 to 406 Nm (150 to 300lbf) then install the cotter pin.

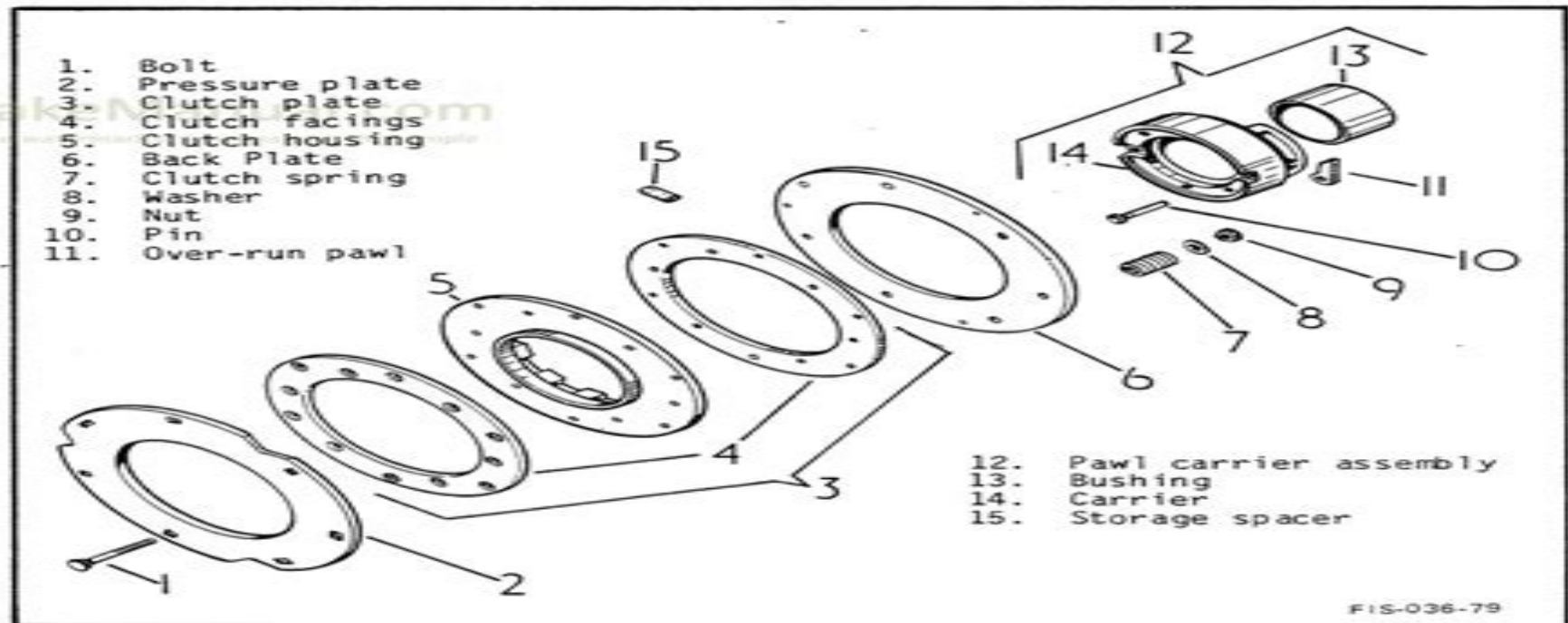


Figure 22

Ih 445d Baler Manual

Hugh Chisholm, James Louis Garvin



Ih 445d Baler Manual:

Delve into the emotional tapestry woven by Crafted by in Dive into the Emotion of **Ih 445d Baler Manual** . This ebook, available for download in a PDF format (*), is more than just words on a page; it's a journey of connection and profound emotion. Immerse yourself in narratives that tug at your heartstrings. Download now to experience the pulse of each page and let your emotions run wild.

https://staging.conocer.cide.edu/About/uploaded-files/Download_PDFS/Manual_Adobe_Photoshop_Cs2_In_Romana.pdf

Table of Contents Ih 445d Baler Manual

1. Understanding the eBook Ih 445d Baler Manual
 - The Rise of Digital Reading Ih 445d Baler Manual
 - Advantages of eBooks Over Traditional Books
2. Identifying Ih 445d Baler Manual
 - Exploring Different Genres
 - Considering Fiction vs. Non-Fiction
 - Determining Your Reading Goals
3. Choosing the Right eBook Platform
 - Popular eBook Platforms
 - Features to Look for in an Ih 445d Baler Manual
 - User-Friendly Interface
4. Exploring eBook Recommendations from Ih 445d Baler Manual
 - Personalized Recommendations
 - Ih 445d Baler Manual User Reviews and Ratings
 - Ih 445d Baler Manual and Bestseller Lists
5. Accessing Ih 445d Baler Manual Free and Paid eBooks
 - Ih 445d Baler Manual Public Domain eBooks
 - Ih 445d Baler Manual eBook Subscription Services
 - Ih 445d Baler Manual Budget-Friendly Options

6. Navigating Ih 445d Baler Manual eBook Formats
 - ePub, PDF, MOBI, and More
 - Ih 445d Baler Manual Compatibility with Devices
 - Ih 445d Baler Manual Enhanced eBook Features
7. Enhancing Your Reading Experience
 - Adjustable Fonts and Text Sizes of Ih 445d Baler Manual
 - Highlighting and Note-Taking Ih 445d Baler Manual
 - Interactive Elements Ih 445d Baler Manual
8. Staying Engaged with Ih 445d Baler Manual
 - Joining Online Reading Communities
 - Participating in Virtual Book Clubs
 - Following Authors and Publishers Ih 445d Baler Manual
9. Balancing eBooks and Physical Books Ih 445d Baler Manual
 - Benefits of a Digital Library
 - Creating a Diverse Reading Collection Ih 445d Baler Manual
10. Overcoming Reading Challenges
 - Dealing with Digital Eye Strain
 - Minimizing Distractions
 - Managing Screen Time
11. Cultivating a Reading Routine Ih 445d Baler Manual
 - Setting Reading Goals Ih 445d Baler Manual
 - Carving Out Dedicated Reading Time
12. Sourcing Reliable Information of Ih 445d Baler Manual
 - Fact-Checking eBook Content of Ih 445d Baler Manual
 - Distinguishing Credible Sources
13. Promoting Lifelong Learning
 - Utilizing eBooks for Skill Development
 - Exploring Educational eBooks
14. Embracing eBook Trends
 - Integration of Multimedia Elements

- Interactive and Gamified eBooks

Ih 445d Baler Manual Introduction

In this digital age, the convenience of accessing information at our fingertips has become a necessity. Whether its research papers, eBooks, or user manuals, PDF files have become the preferred format for sharing and reading documents. However, the cost associated with purchasing PDF files can sometimes be a barrier for many individuals and organizations. Thankfully, there are numerous websites and platforms that allow users to download free PDF files legally. In this article, we will explore some of the best platforms to download free PDFs. One of the most popular platforms to download free PDF files is Project Gutenberg. This online library offers over 60,000 free eBooks that are in the public domain. From classic literature to historical documents, Project Gutenberg provides a wide range of PDF files that can be downloaded and enjoyed on various devices. The website is user-friendly and allows users to search for specific titles or browse through different categories. Another reliable platform for downloading Ih 445d Baler Manual free PDF files is Open Library. With its vast collection of over 1 million eBooks, Open Library has something for every reader. The website offers a seamless experience by providing options to borrow or download PDF files. Users simply need to create a free account to access this treasure trove of knowledge. Open Library also allows users to contribute by uploading and sharing their own PDF files, making it a collaborative platform for book enthusiasts. For those interested in academic resources, there are websites dedicated to providing free PDFs of research papers and scientific articles. One such website is Academia.edu, which allows researchers and scholars to share their work with a global audience. Users can download PDF files of research papers, theses, and dissertations covering a wide range of subjects. Academia.edu also provides a platform for discussions and networking within the academic community. When it comes to downloading Ih 445d Baler Manual free PDF files of magazines, brochures, and catalogs, Issuu is a popular choice. This digital publishing platform hosts a vast collection of publications from around the world. Users can search for specific titles or explore various categories and genres. Issuu offers a seamless reading experience with its user-friendly interface and allows users to download PDF files for offline reading. Apart from dedicated platforms, search engines also play a crucial role in finding free PDF files. Google, for instance, has an advanced search feature that allows users to filter results by file type. By specifying the file type as "PDF," users can find websites that offer free PDF downloads on a specific topic. While downloading Ih 445d Baler Manual free PDF files is convenient, its important to note that copyright laws must be respected. Always ensure that the PDF files you download are legally available for free. Many authors and publishers voluntarily provide free PDF versions of their work, but its essential to be cautious and verify the authenticity of the source before downloading Ih 445d Baler Manual. In conclusion, the internet offers numerous platforms and websites that allow users to download free PDF files legally. Whether its classic literature, research papers, or

magazines, there is something for everyone. The platforms mentioned in this article, such as Project Gutenberg, Open Library, Academia.edu, and Issuu, provide access to a vast collection of PDF files. However, users should always be cautious and verify the legality of the source before downloading any PDF files. With these platforms, the world of PDF downloads is just a click away.

FAQs About Ih 445d Baler Manual Books

How do I know which eBook platform is the best for me? Finding the best eBook platform depends on your reading preferences and device compatibility. Research different platforms, read user reviews, and explore their features before making a choice. Are free eBooks of good quality? Yes, many reputable platforms offer high-quality free eBooks, including classics and public domain works. However, make sure to verify the source to ensure the eBook credibility. Can I read eBooks without an eReader? Absolutely! Most eBook platforms offer webbased readers or mobile apps that allow you to read eBooks on your computer, tablet, or smartphone. How do I avoid digital eye strain while reading eBooks? To prevent digital eye strain, take regular breaks, adjust the font size and background color, and ensure proper lighting while reading eBooks. What the advantage of interactive eBooks? Interactive eBooks incorporate multimedia elements, quizzes, and activities, enhancing the reader engagement and providing a more immersive learning experience. Ih 445d Baler Manual is one of the best book in our library for free trial. We provide copy of Ih 445d Baler Manual in digital format, so the resources that you find are reliable. There are also many Ebooks of related with Ih 445d Baler Manual. Where to download Ih 445d Baler Manual online for free? Are you looking for Ih 445d Baler Manual PDF? This is definitely going to save you time and cash in something you should think about. If you trying to find then search around for online. Without a doubt there are numerous these available and many of them have the freedom. However without doubt you receive whatever you purchase. An alternate way to get ideas is always to check another Ih 445d Baler Manual. This method for see exactly what may be included and adopt these ideas to your book. This site will almost certainly help you save time and effort, money and stress. If you are looking for free books then you really should consider finding to assist you try this. Several of Ih 445d Baler Manual are for sale to free while some are payable. If you arent sure if the books you would like to download works with for usage along with your computer, it is possible to download free trials. The free guides make it easy for someone to free access online library for download books to your device. You can get free download on free trial for lots of books categories. Our library is the biggest of these that have literally hundreds of thousands of different products categories represented. You will also see that there are specific sites catered to different product types or categories, brands or niches related with Ih 445d Baler Manual. So depending on what exactly you are searching, you will be able to choose e books to suit your own need. Need to access

completely for Campbell Biology Seventh Edition book? Access Ebook without any digging. And by having access to our ebook online or by storing it on your computer, you have convenient answers with Ih 445d Baler Manual To get started finding Ih 445d Baler Manual, you are right to find our website which has a comprehensive collection of books online. Our library is the biggest of these that have literally hundreds of thousands of different products represented. You will also see that there are specific sites catered to different categories or niches related with Ih 445d Baler Manual So depending on what exactly you are searching, you will be able to choose ebook to suit your own need. Thank you for reading Ih 445d Baler Manual. Maybe you have knowledge that, people have search numerous times for their favorite readings like this Ih 445d Baler Manual, but end up in harmful downloads. Rather than reading a good book with a cup of coffee in the afternoon, instead they juggled with some harmful bugs inside their laptop. Ih 445d Baler Manual is available in our book collection and online access to it is set as public so you can download it instantly. Our digital library spans in multiple locations, allowing you to get the most less latency time to download any of our books like this one. Merely said, Ih 445d Baler Manual is universally compatible with any devices to read.

Find Ih 445d Baler Manual :

manual adobe photoshop cs2 in romana

[maneb 2015 m s c e timetable](#)

~~manual acer crystal eye~~

managerial finance 6th edition skae fo

manual 20nissan pathfinder

[manual after effects cs4](#)

~~maneb 2014 jee results~~

mandyart models pose english edition

manitou mrt series parts part manual repair manual

~~manitou mlt845 spare parts manual~~

maniegraveres de vivre maniegraveres de boire

~~managerial accounting 3rd canadian edition garrison solutions~~

managerial accounting weygandt 3rd edition solutions

~~manna from heaven kids lesson~~

[managerial accounting 6th edition instructor guide](#)

Ih 445d Baler Manual :

10 pjesëtimi i numrave 2 3 e 4 shifrorë me mbetje youtube - Jul 14 2023

web jun 18 2014 1 matematika themelore 10 pjesëtimi i numrave 2 3 e 4 shifrorë me mbetje 2014 bokshi education

detyra 97 detyra te ndryshme youtube - Mar 30 2022

web në pllakëzën me sipërfaqe 20 cm² me elektrolizë është ndarë një shtresë e nikelit masa e të cilit ka qenë 5 mg sa është trashësia e shtresës së ndarë në

detyra al detyra te zgjidhura leksione dhe teza provimesh - Oct 05 2022

web detyra al është një platformë edukative online e cila vjen në ndihmë të nxënësve të klasave të 6 12 me leksione ushtrime dhe teza provimesh email info detyra al

2218 klasa 2 matematikë detyra me shumëzim dhe pjesëtim - May 12 2023

web mar 25 2020 e mësimiklasa 2 lënda matematikë mësimi detyra me shumëzim dhe pjesëtim rezultati i pritur argumenton lidhjen ndërmjet mbledhjes dhe zbritjes së numravesi dhe

pjestimi i numrave me presje me numra natyrore detyra al - Apr 11 2023

web pjestohet në fillimi pjesa e plotë kur fillojmë pjestimin e pjesës dhjetore vendosim menjëherë presjen dhe pjestimi kryhet normalisht si në rastin e numrave të plotë në rastin kur mbarojnë numrat pas presjes në ulim numrin 0 shohim shembullin kemi 127 25 25 herësi është 25 45

pjestimi i numrave natyrore dhe mbetja matematika 6 detyra al - Aug 15 2023

web pjestimi me mbetje dhe prova mund të ndodh që gjatë kryerjes së një pjestimi rezultati nga pjestimi të mos jetë numër i plotë numri që mbetet është mbetja e një pjestimi me mbetje kemi shembullin pra 148 5 29 mbetja 3 shkruhet shkurt 29 3

pjestimi i mbetjes trekëndëshi didaktik shkolla fillore - Jul 02 2022

web apr 18 2016 pjestimi i mbetjes trekëndëshi didaktik shkolla fillore pjestimi i mbetjes 18 prill 2016 nga profiar vlerësojeni këtë po ngarkohet galeria klasa e pestë lini një koment lëvizje te postimet renditja e thyesave konvertimi i numrit decimal në thyesë lini një përgjigje

pjesëtimi ushtrime slideshare - Jun 13 2023

web may 5 2020 ushtrojmë detyra me pjesëtim dhe shumëzim plotësojmë trekëndëshat shkruajmë barazi me shumëzim dhe pjesëtim njehsojmë herësin dhe bejme provën duke shumëzuar mos harro pjesëtimi është e kundërta e shumëzimit

klasa 3 liria - Jun 01 2022

web matematikë kl iii detyra me pjestimin e numrave më të mëdhenje matematikë kl iii pjesëtimi me mbetje prezentim matematikë kl iii pjesëtimi në boshtin numerik matematikë kl iii pjesëtimii numrave më të mëdhenje matematikë kl iii barazime me pjesëtim prezentim matematikë kl iii fletë pune barazimet

shumzimi dhe pjestimi i numrave racionl slideshare - Jan 08 2023

web mar 28 2014 detyra me pjestim 9 45 3 5 2 7 8 75 3 5 2 5 5 24 0 4 13 1 63 9 7 mesojme heresi ka shenje nese i pjestueshmi dhe pjestuesi jane me shenja te njejta kurse shenja

matematikë detyra me shumëzim dhe pjesëtim gjirafavideo - Dec 07 2022

web mar 22 2020 1 0 ruaje shpërndaje mësimi online ndiqe 644 për videon për shkak të situatës së krijuar si rezultat i pandemisë covid 19 ministria e arsimit shkencës teknologjisë dhe inovacionit mashti ka filluar punën rreth organizimit të procesit të mësimi në distancë përmes prodhimit të materialeve mësimore

tabela e pjesëtimit matematika detyra al - Feb 09 2023

web tabela e pjesëtimit me 9 dhe me 10 pjesëtimi është veprimi i kundërt i shumëzimit por ka disa rregulla pjesëtimit me zero nuk lejohet çdo numër i pjesëtuar nga numri zero jep vlerën zero për shembull 0 3 0

detyra ne shqip pdf scribd - Jan 28 2022

web save save detyra ne shqip for later 0 ratings 0 found this document useful 0 votes 76 views 1 page detyra ne shqip uploaded by dardan desku description 123123123 furnizimi me sera te tipit tunell 50m2 nr 002 template dosja e tenderit shq furnizimi me sera te tipit tunell 50m2 dardan desku shtojca 2 model i pf per

klasa 4 matematikë detyra të ndryshme lidhur me gjirafavideo - Nov 06 2022

web mar 27 2020 duke parë interesimin e madh për përdorim të këtyre materialeve dhe nevojën që nxënësit të kenë sa më lehtë qasje në këto materiale mashti ka vendosur që këto materiale të ofrohen si burim i hapur open source me kushtet në vijim 1 këto materiale e përmbajtje mbesin pronë e mashti t

matematika ushtrime te zgjidhura dhe leksione detyra al - Apr 30 2022

web apr 5 2020 ushtrime te zgjidhura dhe leksione nga matematika per te gjithë nxenesit qe lexojne online numri mbledhja dhe zbritja me mend shumezimi i numrave natyrore shumefishat ditet javet muajt vitet veprime me thyesat shumekendeshat njesite e

veprime me thyesat detyra al - Sep 04 2022

web për të shumëzuar 2 thyesa është shumë e thjeshtë mjafton të shumëzohjmë numëruesin me numëruesin dhe emëruesin me emëruesin për të pjestuar dy numra veprojmë njësoj si ne rastin e shumëzimit vetem se ne fillim përmbysim thyesen e dytë pastaj bëjmë shumëzimin

detyra me pjestim - Dec 27 2021

web zgjedhura nga klasa 12 kendi qendror detyra detyra logjike me perqindje detyra me pjestim per fl e t E p u n e detyra me shumzim me bosht numerik june 10th 2018 fl e t E p u n e detyra me shumzim me bosht numerik i am the psfnac faudiovisual com 4

veprimet me thyesa shumezimi dhe pjesetimi i thyesave detyra - Aug 03 2022

web veprimet me thyesa shumezimi dhe pjesetimi i thyesave shumezimi dhe pjesetimi i thyesave algjebrike bëhet në mënyre analoge si shumezimi dhe pjesetimi i thyesave numerike thjeshtimi i thyesave shprehje me katër veprime

[detyra wikipedia](#) - Feb 26 2022

web detyra është diçka që duhet bërë patjetër në përputhje me normat morale politike juridike etj të shoqërisë e me bindjet tona detyra si punë që na cakton dikush është puna që duhet kryer medoemos ajo që na kërkohet të bëjë njëherë a vazhdimisht ndërsa detyra si qëllim është puna për të arritur qëllimin që i

2218 matematikë detyra me shumëzim dhe pjesëtim youtube - Mar 10 2023

web jun 7 2023 about press copyright contact us creators advertise developers terms privacy policy safety how youtube works test new features nfl sunday ticket press copyright

november 10x new weskoppies hospital vacancies 2024 - Jul 22 2022

web nov 3 2023 discover the latest weskoppies hospital vacancies 2024 on this page which includes a complete list of current job openings at the renowned hospital we provide step by step guidance on selecting and applying for your desired position making the process seamless click the convenient apply now button to initiate your application process

[696 social worker jobs in singapore 10 new linkedin](#) - Jun 01 2023

web 696 social worker jobs in singapore 10 new social worker awwa ltd singapore singapore be an early applicant 1 week ago case worker rainbow centre singapore singapore be an early

[socialwork jobs weskoppies](#) - Apr 18 2022

web socialwork jobs weskoppies downloaded from helpdesk bricksave com by guest julissa izaiah the small matter of a horse ohio university press this expertly written guide now in its 2020 2021 edition is the resource you can rely on to help you choose and get into the graduate clinical or counseling psychology programs that meet your needs

[socialwork jobs weskoppies orientation sutd edu sg](#) - Aug 23 2022

web april 18th 2018 check out psychiatric social worker profiles job listings amp salaries i have an honors degree in social work obtained in 2005 at the weskoppies hospital orientation sutd edu sg 3 19

[social service careers i national council of social service ncss](#) - Aug 03 2023

web careers ncss diverse social service career opportunities social service tribe sector salary guidelines ncss 40 under 40 career conversion programme scholarships tribe experience professional development social service fellowship sun ray scheme consult a career coach

social work jobs ethiopia social work vacancies in ethiopia - Feb 14 2022

web 2 342 photos 201 reviews 964 products social work jobs apply for social work jobs in ethiopia social work vacancies

looking for work is hard work let us make it easier for you

my job plug social worker wanted at weskoppies hospital - Nov 25 2022

web social worker wanted at weskoppies hospital qualifications recogniz ed b degree in social work interest in the field of mental health salary r 261 456 per annum link to apply job plug co za social worker w

socialwork jobs weskoppies skillience com - Jun 20 2022

web socialwork jobs weskoppies as recognized adventure as skillfully as experience approximately lesson amusement as capably as union can be gotten by just checking out a books socialwork jobs weskoppies moreover it is not directly done you could undertake even more vis vis this life in this area the world

219 social worker jobs in singapore november 2023 glassdoor - Feb 26 2023

web search social worker jobs in singapore with company ratings salaries 219 open jobs for social worker in singapore

social work jobs in singapore nov 2023 jobstreet - Sep 04 2023

web find your ideal job at jobstreet with 5 378 social work jobs found in all singapore view all our social work vacancies now with new jobs added daily

weskoppies hospital social worker vacancy beyondstaff - Oct 25 2022

web jun 20 2023 weskoppies hospital social worker vacancy full time ketjen st pretoria townlands 351 jr pretoria west 0001 posted 5 months ago 24534 00 zar month applications have closed

378 social work jobs in istanbul october 2023 glassdoor - Mar 18 2022

web 378 social work jobs in istanbul ability to work independently in the absence of supervision developing comprehensive detailed project work plans for djibouti implementation the ability to work in differing work rotations shifts as required caring about current events with great sense of social issues

social work jobs in singapore october 2023 jobsdb - Mar 30 2023

web central singapore east singapore north singapore cbd area west singapore more view 10 817 social work jobs in singapore at jobsdb create free email alerts and never miss another career opportunity again

social worker jobs in singapore nov 2023 jobstreet - Oct 05 2023

web find your ideal job at jobstreet with 1 103 social worker jobs found in all singapore view all our social worker vacancies now with new jobs added daily jobstreet

career outlook of a social worker in singapore mycareersfuture - Dec 27 2022

web sep 14 2023 4 minute read career outlook of a social worker in singapore becoming a social worker in singapore ensures you can play a direct role in getting people the help they need here we explore the career outlook of this much needed profession establish a compassionate career by becoming a social worker in singapore

job vacancies jobs social worker jobscentral - Jan 28 2023

web full time explore 29 available jobs for jobs social worker and apply online discover your next job at jobscentral

socialwork jobs weskoppies - May 20 2022

web mindfulness and social work occupational therapy in psychiatry and mental health a prison diary volume i our future socialwork jobs weskoppies downloaded from ai classmonitor com by guest jordyn quentin interview questions and answers john wiley sons millions of people walked through auschwitz s gates but she was the first

weskoppies hospital social worker vacancies in pretoria - Sep 23 2022

web oct 31 2023 weskoppies hospital social worker vacancies in pretoria deadline 14 jul 2023 by ansh october 31 2023 discover the latest weskoppies hospital social worker vacancies in pretoria with this concise guide learn about the requirements and application processes for social worker jobs at weskoppies hospital

social work ncss - Apr 30 2023

web as a social work professional you apply your skills in community development and intervention to uplift the lives of individuals in need your work centres around programmes that are empowering and rehabilitative along with your team you strive to bridge social gaps fostering a community in which everyone has an equal chance to succeed in life

social worker jobs in singapore mycareersfuture - Jul 02 2023

web social worker jobs in singapore mycareersfuture sort by date posted filter all employment types job function government support all available for mid career switchers if you are open to reskill and change careers occupations for short term trials if you want to try out new jobs sectors with no obligation for mid career attachments

contes des sages soufis by henri gougaud goodreads - May 12 2023

web contes des sages soufis henri gougaud 3 95 20ratings1review want to read buy on amazon rate this book genresfiction 200 pages hardcover first published january 1 2004 about the author henri gougaud 116books11followers

contes des sages soufis henri gougaud 2021383148 essais - Jul 02 2022

web contes des sages soufis par henri gougaud aux éditions seuil henri gougaud conteur inégalable ravive une mémoire celle pleine de sagesse et d enseignement des soufis une mystique rêveuse et riche de contes et légende

contes des sages soufis france loisirs suisse - Apr 30 2022

web may 2 2018 contes des sages soufis henri gougaud conteur inégalable ravive une mémoire celle pleine de sagesse et d enseignement des soufis une mystique rêveuse et riche de contes et légendes aussi bien édifiants que délectables qui que tu sois viens que tu sois un infidèle un idolâtre ou un païen viens notre maison n est pas un lieu de

contes soufis idries shah guy trédaniel - Jan 28 2022

web editeur le courrier du livre isbn 978 2 7029 0450 3 les histoires que nous conte ici idries shah qu il nous donne à

entendre et à vivre illustrent les modes de pensée et d'action des sages soufis pour autant ce ne sont pas des contes didactiques

contes des sages soufis relié henri gougaud livre tous les - Nov 06 2022

web contes des sages soufis 4 5 4 avis offres sur ce produit 10 livres résumé henri gougaud conteur inégalable ravive une mémoire celle pleine de sagesse et d'enseignement des soufis une mystique rêveuse et riche de contes et légendes aussi bien édifiants que délectables qui que tu sois viens

contes des sages soufis gibert com - Sep 04 2022

web henri gougaud conteur inégalable ravive une mémoire celle pleine de sagesse et d'enseignement des soufis une mystique rêveuse et riche de contes et légendes aussi bien édifiants que délectables qui que tu sois viens que tu sois un infidèle un id

contes des sages soufis french edition by henri - Feb 26 2022

web amazon fr contes des sages soufis french edition by henri gougaud 2004 12 06 henri gougaud livres options d'achat et paniers plus b00ivpojpi seuil 1 janvier 2004 4 6 4 6 sur 5 étoiles15 évaluations À propos de l'auteur suivez les auteurs pour obtenir de nouvelles mises à jour et des recommandations améliorées

contes des sages soufis de henri gougaud aux éditions seuil - Oct 05 2022

web nov 19 2004 henri gougaud conteur inégalable ravive une mémoire celle pleine de sagesse et d'enseignement des soufis une mystique rêveuse et riche de contes et légendes aussi bien édifiants que

contes des sages soufis relié henri gougaud livre tous les - Dec 07 2022

web contes des sages soufis henri gougaud auteur paru en mai 2018 contes légendes relié en français contes des sages soufis 4 5 4 avis demandez votre mastercard fnac vanden borre attention emprunter de l'argent coûte aussi de l'argent offres sur ce produit prix adhérent résumé

contes des sages soufis éditions du septénaire - Jan 08 2023

web henri gougaud conteur inégalable ravive une mémoire celle pleine de sagesse et d'enseignement des soufis une mystique rêveuse et riche de contes et légendes aussi bien édifiants que délectables qui que tu sois viens que tu sois un infidèle un idolâtre ou un païen viens notre maison n'est pas un lieu de désespoir

amazon fr contes des sages soufis gougaud henri livres - Mar 10 2023

web henri gougaud conteur inégalable ravive une mémoire celle pleine de sagesse et d'enseignement des soufis une mystique rêveuse et riche de contes et légendes aussi bien édifiants que délectables

contes des sages soufis henri gougaud bnfa - Apr 11 2023

web henri gougaud conteur inégalable ravive une mémoire celle pleine de sagesse et d'enseignement des soufis une

mystique rêveuse et riche de contes et légendes aussi bien édifiants que délectables qui que tu sois viens que tu sois un infidèle un idolâtre ou un païen viens notre maison n est pas un lieu de désespoir

contes des sages soufis librairie de l orient - Jun 01 2022

web résumé henri gougaud conteur inégalable ravive une mémoire celle pleine de sagesse et d enseignement des soufis une mystique rêveuse et riche de contes et légendes aussi bien édifiants que délectables qui que tu sois viens que tu sois un infidèle un idolâtre ou un païen viens notre maison n est pas un lieu de désespoir

contes des sages soufis relié henri gougaud fnac - Jun 13 2023

web résumé henri gougaud conteur inégalable ravive une mémoire celle pleine de sagesse et d enseignement des soufis une mystique rêveuse et riche de contes et légendes aussi bien édifiants que délectables qui que tu sois viens

contes des sages soufis henri gougaud librairie eyrolles - Aug 03 2022

web henri gougaud conteur inégalable ravive une mémoire celle pleine de sagesse et d enseignement des soufis une mystique rêveuse et riche de contes et légendes aussi bien édifiants que délectables qui que tu sois viens que tu

contes des sages soufis label emmaüs - Mar 30 2022

web contes des sages soufishenri gougaud conteur inégalable ravive une mémoire celle pleine de sagesse et d enseignement des soufis une mystique

contes des sages soufis henri gougaud babelio - Aug 15 2023

web nov 19 2004 henri gougaud conteur inégalable ravive une mémoire celle pleine de sagesse et d enseignement des soufis une mystique rêveuse et riche de contes et légendes aussi bien édifiants que délectables qui que tu sois viens que tu sois un infidèle un idolâtre ou un païen viens notre maison n est pas un lieu de désespoir

contes des sages soufis henri gougaud editions seuil - Jul 14 2023

web henri gougaud henri gougaud conteur inégalable ravive une mémoire celle pleine de sagesse et d enseignement des soufis une mystique rêveuse et riche de contes et légendes aussi bien édifiants que délectables qui que tu sois viens que tu sois un infidèle un idolâtre ou un païen viens notre maison n est pas un lieu de

contes soufis by idries shah overdrive - Dec 27 2021

web dec 5 2016 les histoires que nous conte ici idries shah qu il nous donne à entendre et à vivre illustrent les modes de pensée et d action des sages soufis pour autant ce ne sont pas des contes didactiques l art du conteur opère nous entrons dans l hi

contes des sages soufis de henri gougaud poche decitre - Feb 09 2023

web may 2 2018 henri gougaud conteur inégalable ravive une mémoire celle pleine de sagesse et d enseignement des soufis une mystique rêveuse et riche de contes et légendes aussi bien édifiants que délectables

