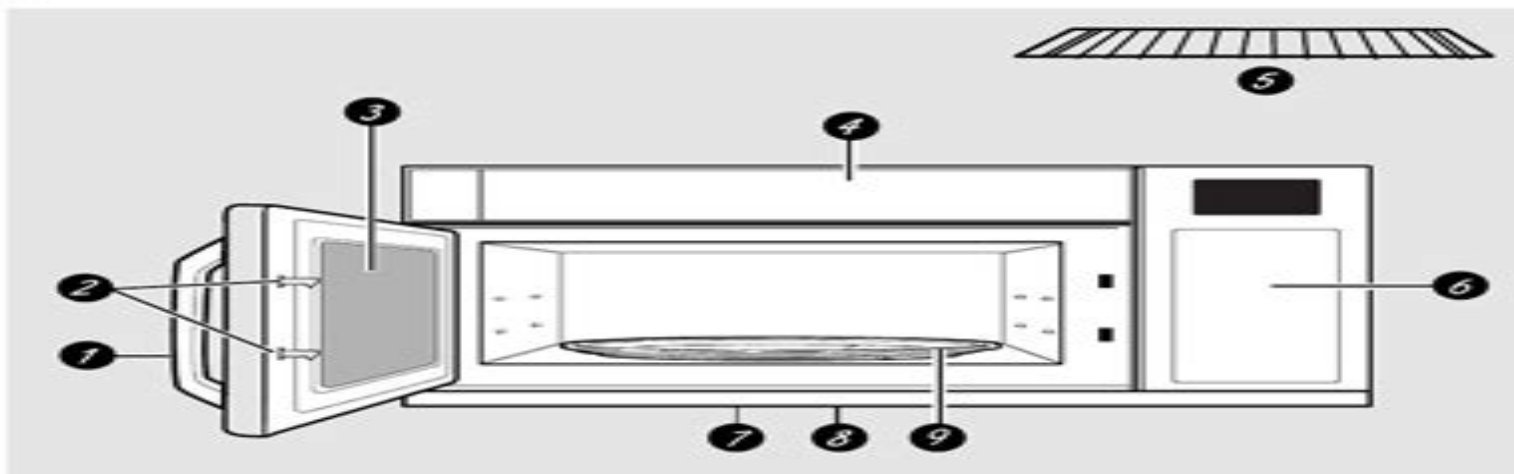


About the features of your microwave oven.

ge.com

Throughout this manual, features and appearance may vary from your model.



Features of the Oven

- 1 Door Handle.** Pull to open the door. The door must be securely latched for the microwave to operate.
- 2 Door Latches.**
- 3 Window with Metal Shield.** Screen allows cooking to be viewed while keeping microwaves confined in the oven.
- 4 Active Vent (on some models).** The vent door swings open when the fan operates and closes when the fan shuts off.
- 5 Shelf.** Lets you microwave several foods at once. Food microwaves best when placed directly on the turntable.
- 6 Touch Control Panel Display.**
- 7 Cooktop Light.**
- 8 Grease Filter.**
- 9 Removable Turntable.** Turntable and support **must** be in place when using the oven. The turntable may be removed for cleaning.

NOTE: Rating plate is located on the inside wall of the microwave, or on the upper left front behind the door. Oven vent(s) and oven light are located on the inside walls of the microwave oven.

General Electric Spacemaker Microwave Manual

JE Gale



General Electric Spacemaker Microwave Manual:

The Captivating World of E-book Books: A Thorough Guide Unveiling the Benefits of Kindle Books: A World of Convenience and Versatility E-book books, with their inherent portability and simplicity of availability, have liberated readers from the constraints of hardcopy books. Gone are the days of carrying bulky novels or meticulously searching for specific titles in bookstores. Kindle devices, sleek and portable, seamlessly store an extensive library of books, allowing readers to indulge in their preferred reads anytime, everywhere. Whether commuting on a bustling train, lounging on a sun-kissed beach, or simply cozying up in bed, E-book books provide an unparalleled level of convenience. A Literary World Unfolded: Exploring the Wide Array of Kindle General Electric Spacemaker Microwave Manual General Electric Spacemaker Microwave Manual The Kindle Store, a virtual treasure trove of bookish gems, boasts an wide collection of books spanning diverse genres, catering to every readers taste and choice. From gripping fiction and thought-provoking non-fiction to classic classics and contemporary bestsellers, the Kindle Shop offers an exceptional variety of titles to discover. Whether seeking escape through engrossing tales of imagination and exploration, diving into the depths of past narratives, or broadening ones understanding with insightful works of scientific and philosophy, the Kindle Shop provides a doorway to a literary universe brimming with limitless possibilities. A Game-changing Force in the Bookish Landscape: The Persistent Influence of E-book Books General Electric Spacemaker Microwave Manual The advent of E-book books has certainly reshaped the bookish scene, introducing a paradigm shift in the way books are published, distributed, and consumed. Traditional publication houses have embraced the digital revolution, adapting their approaches to accommodate the growing need for e-books. This has led to a surge in the accessibility of Kindle titles, ensuring that readers have access to a vast array of bookish works at their fingers. Moreover, E-book books have equalized entry to literature, breaking down geographical limits and offering readers worldwide with equal opportunities to engage with the written word. Regardless of their location or socioeconomic background, individuals can now engross themselves in the intriguing world of books, fostering a global community of readers. Conclusion: Embracing the Kindle Experience General Electric Spacemaker Microwave Manual Kindle books General Electric Spacemaker Microwave Manual, with their inherent convenience, flexibility, and wide array of titles, have certainly transformed the way we experience literature. They offer readers the freedom to discover the limitless realm of written expression, anytime, anywhere. As we continue to navigate the ever-evolving online scene, E-book books stand as testament to the persistent power of storytelling, ensuring that the joy of reading remains accessible to all.

https://staging.conocer.cide.edu/About/detail/Download_PDFS/fish%20report%20for%20southern%20california.pdf

Table of Contents General Electric Spacemaker Microwave Manual

1. Understanding the eBook General Electric Spacemaker Microwave Manual
 - The Rise of Digital Reading General Electric Spacemaker Microwave Manual
 - Advantages of eBooks Over Traditional Books
2. Identifying General Electric Spacemaker Microwave Manual
 - Exploring Different Genres
 - Considering Fiction vs. Non-Fiction
 - Determining Your Reading Goals
3. Choosing the Right eBook Platform
 - Popular eBook Platforms
 - Features to Look for in an General Electric Spacemaker Microwave Manual
 - User-Friendly Interface
4. Exploring eBook Recommendations from General Electric Spacemaker Microwave Manual
 - Personalized Recommendations
 - General Electric Spacemaker Microwave Manual User Reviews and Ratings
 - General Electric Spacemaker Microwave Manual and Bestseller Lists
5. Accessing General Electric Spacemaker Microwave Manual Free and Paid eBooks
 - General Electric Spacemaker Microwave Manual Public Domain eBooks
 - General Electric Spacemaker Microwave Manual eBook Subscription Services
 - General Electric Spacemaker Microwave Manual Budget-Friendly Options
6. Navigating General Electric Spacemaker Microwave Manual eBook Formats
 - ePub, PDF, MOBI, and More
 - General Electric Spacemaker Microwave Manual Compatibility with Devices
 - General Electric Spacemaker Microwave Manual Enhanced eBook Features
7. Enhancing Your Reading Experience
 - Adjustable Fonts and Text Sizes of General Electric Spacemaker Microwave Manual
 - Highlighting and Note-Taking General Electric Spacemaker Microwave Manual
 - Interactive Elements General Electric Spacemaker Microwave Manual
8. Staying Engaged with General Electric Spacemaker Microwave Manual

- Joining Online Reading Communities
 - Participating in Virtual Book Clubs
 - Following Authors and Publishers General Electric Spacemaker Microwave Manual
9. Balancing eBooks and Physical Books General Electric Spacemaker Microwave Manual
- Benefits of a Digital Library
 - Creating a Diverse Reading Collection General Electric Spacemaker Microwave Manual
10. Overcoming Reading Challenges
- Dealing with Digital Eye Strain
 - Minimizing Distractions
 - Managing Screen Time
11. Cultivating a Reading Routine General Electric Spacemaker Microwave Manual
- Setting Reading Goals General Electric Spacemaker Microwave Manual
 - Carving Out Dedicated Reading Time
12. Sourcing Reliable Information of General Electric Spacemaker Microwave Manual
- Fact-Checking eBook Content of General Electric Spacemaker Microwave Manual
 - Distinguishing Credible Sources
13. Promoting Lifelong Learning
- Utilizing eBooks for Skill Development
 - Exploring Educational eBooks
14. Embracing eBook Trends
- Integration of Multimedia Elements
 - Interactive and Gamified eBooks

General Electric Spacemaker Microwave Manual Introduction

In today's digital age, the availability of General Electric Spacemaker Microwave Manual books and manuals for download has revolutionized the way we access information. Gone are the days of physically flipping through pages and carrying heavy textbooks or manuals. With just a few clicks, we can now access a wealth of knowledge from the comfort of our own homes or on the go. This article will explore the advantages of General Electric Spacemaker Microwave Manual books and manuals for download, along with some popular platforms that offer these resources. One of the significant advantages of General Electric Spacemaker Microwave Manual books and manuals for download is the cost-saving aspect. Traditional books and

manuals can be costly, especially if you need to purchase several of them for educational or professional purposes. By accessing General Electric Spacemaker Microwave Manual versions, you eliminate the need to spend money on physical copies. This not only saves you money but also reduces the environmental impact associated with book production and transportation. Furthermore, General Electric Spacemaker Microwave Manual books and manuals for download are incredibly convenient. With just a computer or smartphone and an internet connection, you can access a vast library of resources on any subject imaginable. Whether you're a student looking for textbooks, a professional seeking industry-specific manuals, or someone interested in self-improvement, these digital resources provide an efficient and accessible means of acquiring knowledge. Moreover, PDF books and manuals offer a range of benefits compared to other digital formats. PDF files are designed to retain their formatting regardless of the device used to open them. This ensures that the content appears exactly as intended by the author, with no loss of formatting or missing graphics. Additionally, PDF files can be easily annotated, bookmarked, and searched for specific terms, making them highly practical for studying or referencing. When it comes to accessing General Electric Spacemaker Microwave Manual books and manuals, several platforms offer an extensive collection of resources. One such platform is Project Gutenberg, a nonprofit organization that provides over 60,000 free eBooks. These books are primarily in the public domain, meaning they can be freely distributed and downloaded. Project Gutenberg offers a wide range of classic literature, making it an excellent resource for literature enthusiasts. Another popular platform for General Electric Spacemaker Microwave Manual books and manuals is Open Library. Open Library is an initiative of the Internet Archive, a non-profit organization dedicated to digitizing cultural artifacts and making them accessible to the public. Open Library hosts millions of books, including both public domain works and contemporary titles. It also allows users to borrow digital copies of certain books for a limited period, similar to a library lending system. Additionally, many universities and educational institutions have their own digital libraries that provide free access to PDF books and manuals. These libraries often offer academic texts, research papers, and technical manuals, making them invaluable resources for students and researchers. Some notable examples include MIT OpenCourseWare, which offers free access to course materials from the Massachusetts Institute of Technology, and the Digital Public Library of America, which provides a vast collection of digitized books and historical documents. In conclusion, General Electric Spacemaker Microwave Manual books and manuals for download have transformed the way we access information. They provide a cost-effective and convenient means of acquiring knowledge, offering the ability to access a vast library of resources at our fingertips. With platforms like Project Gutenberg, Open Library, and various digital libraries offered by educational institutions, we have access to an ever-expanding collection of books and manuals. Whether for educational, professional, or personal purposes, these digital resources serve as valuable tools for continuous learning and self-improvement. So why not take advantage of the vast world of General Electric Spacemaker Microwave Manual books and manuals for download and

embark on your journey of knowledge?

FAQs About General Electric Spacemaker Microwave Manual Books

1. Where can I buy General Electric Spacemaker Microwave Manual books? Bookstores: Physical bookstores like Barnes & Noble, Waterstones, and independent local stores. Online Retailers: Amazon, Book Depository, and various online bookstores offer a wide range of books in physical and digital formats.
2. What are the different book formats available? Hardcover: Sturdy and durable, usually more expensive. Paperback: Cheaper, lighter, and more portable than hardcovers. E-books: Digital books available for e-readers like Kindle or software like Apple Books, Kindle, and Google Play Books.
3. How do I choose a General Electric Spacemaker Microwave Manual book to read? Genres: Consider the genre you enjoy (fiction, non-fiction, mystery, sci-fi, etc.). Recommendations: Ask friends, join book clubs, or explore online reviews and recommendations. Author: If you like a particular author, you might enjoy more of their work.
4. How do I take care of General Electric Spacemaker Microwave Manual books? Storage: Keep them away from direct sunlight and in a dry environment. Handling: Avoid folding pages, use bookmarks, and handle them with clean hands. Cleaning: Gently dust the covers and pages occasionally.
5. Can I borrow books without buying them? Public Libraries: Local libraries offer a wide range of books for borrowing. Book Swaps: Community book exchanges or online platforms where people exchange books.
6. How can I track my reading progress or manage my book collection? Book Tracking Apps: Goodreads, LibraryThing, and Book Catalogue are popular apps for tracking your reading progress and managing book collections. Spreadsheets: You can create your own spreadsheet to track books read, ratings, and other details.
7. What are General Electric Spacemaker Microwave Manual audiobooks, and where can I find them? Audiobooks: Audio recordings of books, perfect for listening while commuting or multitasking. Platforms: Audible, LibriVox, and Google Play Books offer a wide selection of audiobooks.
8. How do I support authors or the book industry? Buy Books: Purchase books from authors or independent bookstores. Reviews: Leave reviews on platforms like Goodreads or Amazon. Promotion: Share your favorite books on social media or recommend them to friends.
9. Are there book clubs or reading communities I can join? Local Clubs: Check for local book clubs in libraries or community centers. Online Communities: Platforms like Goodreads have virtual book clubs and discussion groups.

10. Can I read General Electric Spacemaker Microwave Manual books for free? Public Domain Books: Many classic books are available for free as they're in the public domain. Free E-books: Some websites offer free e-books legally, like Project Gutenberg or Open Library.

Find General Electric Spacemaker Microwave Manual :

fish report for southern california

[flag manual usmc](#)

~~first love renewing your passion for god~~

fishing green lake report river

fitting and machining question paper 2014 november n2

[first year mbbs question papers ntr university](#)

fisioterapi manual terapi traksi

first choice rotary tiller parts

first grade missouri curriculum map

~~five card seduction a straight guy s first time~~

[five ways between nsfas and other student loans](#)

[five paragraph essay structure guidelines](#)

fitzgerald solution manual 5ed

fisher price jumperoo instruction manual

fitbit one user guide

General Electric Spacemaker Microwave Manual :

bc game crypto casino games casino slot games crypto - Jun 25 2022

web tracks 68 blk mamba a brussels based artist of nigerian descent strives to bring a new vibe to nightlife with a mix of the latest club music that is not so serious music to dance

[black mamba wikipedia](#) - Feb 02 2023

web play now the brand new black mamba game made by play n go creator of huge success games like sabaton demon candlemass s house of doom bet and rock

black mamba by john ruganda open library - Aug 08 2023

web dec 10 2022 *black mamba* by john ruganda 1973 east african pub house edition in english two plays series african theatre 2 other titles covenant with death

black mamba slot free play in demo mode oct 2023 slots - Mar 23 2022

web share your videos with friends family and the world

black mamba official youtube - Jan 21 2022

black mamba a play john ruganda google books - Oct 10 2023

web black mamba a play e a e p drama library peak drama series author john ruganda edition reprint publisher east african publishers 2005 isbn 996646378x

black mamba a play by john ruganda goodreads - Sep 09 2023

web jan 1 1973 83 ratings13 reviews *black mamba* is a biting but amusing satire about an intimate yet intriguing relationship involving a university professor and his mistress in a

[black mamba a play book by john ruganda kibanga](#) - Apr 04 2023

web beatrix the bride kiddo codename black mamba is the protagonist of the martial arts films *kill bill* volume 1 2003 and *kill bill* volume 2 2004 directed by quentin

black mamba play n go game review turkosmos net - Dec 20 2021

nba 2k24 kobe bryant edition playstation 5 amazon com - Jul 27 2022

web black mamba slot review demo play payout free spins bonuses home free slots black mamba black mamba from play n go is an exciting online slot based

[stream blk mamba music listen to songs albums playlists for](#) - Feb 19 2022

web black mamba play n go game review best app to quit gambling dooleys poker machine astro legends slots manhattan casino nd bonus apache storm slot casino

black mamba play n go slot review demo play - May 25 2022

web they are classy they are groovy if this isn t hard rock nothing is linda daemon vocals alexandra maiolo guitar cecilia nappo bass federico maragoni drums

the bride kill bill wikipedia - Mar 03 2023

web experience next level gameplay and lifelike visuals with your favorite nba and wnba teams in play now make your mark and explore a stunning tropical area in an all new city

aespa  *black mamba the debut stage youtube* - Jul 07 2023

web nov 19 2020 aespa [aespa black mamba the debut stage aespa s debut single black mamba is out listen and download on your favorite platform smarturl it aespa blackmamba](#)

[nba 2k24 black mamba edition official playstation store us](#) - Oct 30 2022

web best crypto casino biggest crypto crash game provably fair live dealer 10000 slot games unique bonus free lucky spins
btc eth doge trx xrp uni defi tokens

[black mamba apps on google play](#) - Aug 28 2022

web black mamba is a slot machine by play n go according to the number of players searching for it black mamba is not a very popular slot still that doesn t necessarily

nba 2k24 official website - Nov 30 2022

web jul 7 2023 offer available on pre orders of physical copies of nba 2k24 kobe bryant edition and black mamba edition through 11 59pm et on september 7 2023 us only

black mamba free play in demo mode casino guru - Apr 23 2022

web further you may need to play max bet to qualify for certain prizes including the progressive jackpot check the rules of the specific slot to make sure a slot s biggest selling point

[black mamba play the rock music play the game](#) - Sep 28 2022

web highly volatile you can play the black mamba slot across all devices from 0 20 to 100 per spin black mamba play n go features black mamba mobile view mechanically

black mamba free demo play play n go - May 05 2023

web black mamba is a cascading gridslot based on the hard rock band band members fred cecilia and alexandra make up in game symbols alongside a guitar pick drumsticks

black mamba youtube - Nov 18 2021

[black mamba description behaviour venom facts](#) - Jan 01 2023

web nov 23 2018 take my black mamba app enjoy by the black mamba app a lot of benefits and be informed about all the news and promotions use the black mamba

black mamba play n go game review turkosmos net - Oct 18 2021

[black mamba youtube](#) - Jun 06 2023

web nov 17 2020 provided to youtube by sm entertainmentblack mamba aespablack mamba sm entertainmentreleased on 2020 11 17music publisher copyright controlmusic publi

[viking warrior versus anglo saxon warrior england 865 1066](#) - May 11 2023

web buy viking warrior vs anglo saxon warrior england 865 1066 combat 1 by williams gareth dennis peter isbn 9781472818324 from amazon s book store everyday low

[viking warrior vs anglo saxon warrior england 865 1066](#) - Dec 06 2022

web using stunning artwork this book examines in detail three battles between the two deadly foes ashdown in 871 which involved the future alfred the great maldon in 991 where an

versus anglo saxon warrior archive org - Apr 29 2022

web yardım Şu anda futbol İzlanda bölümünde yer alan vikingur reykvjavik canlı skorları sayfasında bulunuyorsunuz flashscore com tr vikingur reykvjavik canlı skorlarını ilk

viking warrior vs anglo saxon warrior osprey publishing - Sep 22 2021

viking warrior vs anglo saxon warrior england - Apr 10 2023

web aug 22 2017 viking warrior vs anglo saxon warrior england 865 1066 combat paperback august 22 2017 in the two centuries before the norman invasion of

[viking warrior vs anglo saxon warrior england 865 1066](#) - Feb 08 2023

web aug 22 2017 after the vikings defeated three out of the four great anglo saxon kingdoms and came close to defeating the fourth in the 860s and 870s they conquered

[viking warrior vs anglo saxon warrior england 865 1066](#) - May 31 2022

web viking warrior vs anglo saxon warrior england 865 1066 read online for free

vikingur reykvjavik canlı skorları maç sonuçları fikstür vikingur - Jan 27 2022

web full scoreboard espn team w l t pct pf pa

vikings best battle scene vikings vs anglo saxons - Feb 25 2022

web jul 29 2023 if völsungur is going head to head with víkingur Ólafsvík starting on 29 jul 2023 at 16 00 utc the match is a part of the 2 deild if völsungur played against

viking warrior vs anglo saxon warrior england 865 1066 - Mar 29 2022

web sep 2 2023 about the match viking fk is going head to head with vâlerenga if starting on 2 sep 2023 at 16 00 utc at sr bank arena stadium stavanger city norway the

viking warrior vs anglo saxon warrior england - Mar 09 2023

web using stunning artwork this book examines in detail three battles between the two deadly foes ashdown in 871 which involved the future alfred the great maldon in 991 where an

viking warrior vs anglo saxon warrior osprey publishing - Oct 04 2022

web the great heathen army also known as the viking great army was a coalition of scandinavian warriors who invaded england in ad 865 since the late 8th century the

[viking warrior vs anglo saxon warrior england 865 1066](#) - Jan 07 2023

web viking warrior vs anglo saxon warrior england 865 1066 combat ebook williams gareth dennis peter amazon co uk books

[viking warrior vs anglo saxon warrior osprey](#) - Jul 13 2023

web in the two centuries before the norman invasion of england anglo saxon and viking forces clashed repeatedly in battle with mixed success for both sides after the vikings

[viking warrior vs anglo saxon warrior england 865 1066](#) - Jul 01 2022

web difference between anglo saxon and viking weaponry is that the hand axe appears to have been widely used by the vikings as an alternative to the sword photo by

great heathen army wikipedia - Aug 02 2022

web aug 22 2017 gareth williams has been a curator at the british museum since 1996 with responsibility for british and european coinage about ad 500 to about 1180 within this

[viking warrior vs anglo saxon warrior england 865 1066](#) - Jun 12 2023

web in the two centuries before the norman invasion of england anglo saxon and viking forces clashed repeatedly in battle with mixed success for both sides after the vikings

viking fk vs vålerenga if live score h2h and lineups sofascore - Dec 26 2021

web repeated viking victories in the 9th century led to their settlement in the north of the country but the tide of war ebbed and flowed until the final anglo saxon victory before

[viking warrior vs anglo saxon warrior osprey publishing](#) - Aug 14 2023

web repeated viking victories in the 9th century led to their settlement in the north of the country but the tide of war ebbed and flowed until the final anglo saxon victory before

[vikings vs bengals aug 21 2020 canceled espn](#) - Oct 24 2021

[viking warrior vs anglo saxon warrior england 865 1066](#) - Sep 03 2022

web viking warrior vs anglo saxon warrior england 865 1066 combat williams gareth amazon com tr kitap

viking warrior vs anglo saxon warrior england 865 1066 - Nov 05 2022

web aug 22 2017 viking warrior vs anglo saxon warrior england 865 1066 williams gareth dennis peter 9781472818324 books amazon ca

[if völsungur vs víkingur Ólafsvík live score h2h sofascore](#) - Nov 24 2021

[estrés o por qué las cebras no tienen úlceras researchgate](#) - Oct 10 2022

web pdf on jan 1 2002 mario caba published estrés o por qué las cebras no tienen úlceras find read and cite all the research you need on researchgate

por que las cebras no tienen ulcera la guia - Mar 15 2023

web sinopsis de por que las cebras no tienen ulcera la guia del estres cuando una cebra huye aterrorizada de un león en la sabana africana su organismo sufre una serie de reacciones hormonales que ayudan a su cuerpo en el tremendo esfuerzo físico que tiene que realizar en esa dramática situación

[por que las cebras no tienen ulcera la guia del e michael](#) - Jun 06 2022

web en la compasión por nosotros por los demás y por el mundo en que vivimos el resultado no es sólo más felicidad y mejor salud física sino relaciones más significativas con los demás e incluso con nuestro planeta daniel j siegel autor de mindsight tutores de resiliencia gema puig 2015 02 24 desde que boris cyrulnik acuñó

[por que las cebras no tienen ulcera la guia del estres edi](#) - Sep 09 2022

web audible resumen de por que las cebras no tienen ulcera la guia del estres edi de robert m sapolsky descargar por que las cebras no tienen ulcera la guia del estres edi de robert m sapolsky en pdf epub ó audible gratis si estas buscando el libro por que las cebras no tienen ulcera

por qué las cebras no tienen úlcera la psicóloga online - Apr 04 2022

web oct 10 2019 y cómo es que he decidido titular este post por qué las cebras no tienen úlcera en realidad este es el nombre de un libro muy entretenido y divertido que te recomiendo escrito por robert m sapolsky

[por qué las cebras no tienen úlcera la guía del estrés](#) - Apr 16 2023

web por qué las cebras no tienen úlcera la guía del estrés robert m sapolsky alianza editorial 2008 science 576 pages gracias a los avances en la medicina y en la

por qué las cebras no tienen úlcera guía del estrés - Jul 07 2022

web jun 19 1996 por qué las cebras no tienen úlcera guía del estrés sociedad el país crítica libros i por qué las cebras no tienen úlcera guía del estrés el país jun 18 1996 18 00

por qué las cebras no tienen Úlcera robert sapolsky - Aug 08 2022

web por qué las cebras no tienen Úlcera robert sapolsky 5 en libros fnac home libros y ebooks libros de psicología libros de psicología más vendidos por qué las cebras no tienen Úlcera robert sapolsky autor la guía del estrés normal libro en español por qué las cebras no tienen Úlcera 5 1 opinión dar tu opinión

por qué las cebras no tienen úlceras la guía del estrés - Aug 20 2023

web por qué las cebras no tienen úlceras la guía del estrés red age por qué las cebras no tienen úlceras la guía del estrés autor robert m sapolsky editorial alianza año 2008 tipo libro isbn 978 84 206 8251 8 gracias a los avances en la medicina y en la sanidad pública nuestros patrones de enfermedad han cambiado

por que las cebras no tienen úlcera la guía - Jul 19 2023

web sinopsis de por que las cebras no tienen úlcera la guía del estrés gracias a los avances en la medicina y en la sanidad pública nuestros patrones de enfermedad han cambiado actualmente padecemos enfermedades distintas y tenemos más probabilidades de morir de forma diferente que la mayor parte de nuestros

por que las cebras no tienen úlcera la guía - Dec 12 2022

web sinopsis de por que las cebras no tienen úlcera la guía del estrés gracias a los avances en la medicina y en la sanidad pública nuestros patrones de enfermedad han cambiado actualmente padecemos enfermedades distintas y tenemos más probabilidades de morir de forma diferente que la mayor parte de nuestros

por qué las cebras no tienen úlcera la guía del estrés - May 17 2023

web amazon com por qué las cebras no tienen úlcera la guía del estrés alianza ensayo spanish edition 9788420682518 sapolsky robert gonzález serrano celina coll rodríguez miguel Ángel libros libros salud fitness y dieta salud mental disfruta de entrega gratis ofertas exclusivas y películas y programas de tv con prime

por qué las cebras no tienen úlcera goodreads - May 05 2022

web por qué las cebras no tienen úlcera robert m sapolsky celina gonzález translator miguel Ángel coll translator 4 18 13 308 ratings1 160 reviews gracias a los avances en la medicina y en la sanidad pública nuestros patrones de enfermedad han cambiado

por qué las cebras no tienen úlcera el confidencial - Mar 03 2022

web feb 7 2012 tenía que hablar con él así que levanté la mano y le pregunté que qué pasaría si yo quiero hacerlo pero no llego al 55 fue entonces cuando empezó la humillación el perder las ganas y

por qué las cebras no tienen úlcera la guía del estrés - Feb 14 2023

web por qué las cebras no tienen úlcera la guía del estrés alianza ensayo sapolsky robert gonzález serrano celina coll rodríguez miguel Ángel amazon es libros

por que las cebras no tienen úlcera la guía - Jan 13 2023

web la guía del estrés cuando una cebra huye aterrorizada de un león en la sabana africana su organismo sufre una serie de reacciones hormonales que ayudan a su cuerpo en el tremendo esfuerzo físico que tiene que realizar en esa dramática situación

por qué las cebras no tienen úlcera sloyu com - Feb 02 2022

web mar 2 2017 ante el gran muro de un agente estresante no hay que suponer que existe una solución especial que logrará derribar el muro lo que hay que asumir es que a menudo mediante el control de una serie de puntos de apoyo podemos escalarlo este libro es una útil guía para ello por qué las cebras no tienen úlcera robert sapolsky

por qué las cebras no tienen úlceras la guía del estrés pdf - Sep 21 2023

web por qué las cebras no tienen úlceras la guía del estrés author robert m sapolsky language spanish year 2008 file size 52 1 mb total downloads 4 254 total views 8 204 pages in file 576 org file size 54 644 503 extension pdf

por qué las cebras no tienen Úlcera academia edu - Jun 18 2023

web por qué las cebras no tienen Úlcera cuando se generan respuestas eficaces y controladas por el sujeto que permiten una mejor adaptación se denomina euestres tanto los estilos de vida actuales privilegio de la inmediatez del éxito y de los resultados sobre los procesos reducción de horas de sueño dificultades económicas

por que las cebras no tienen ulcera la guia del estres - Nov 11 2022

web de 1 por que las cebras no tienen ulcera la guia del estres libro robert m sapolsky epub descargar por que las cebras no tienen ulcera la guia del estres p df por que las cebras no tienen ulcera la guia del estres del autor robert m sapolsky isbn