

Page Thumb... X

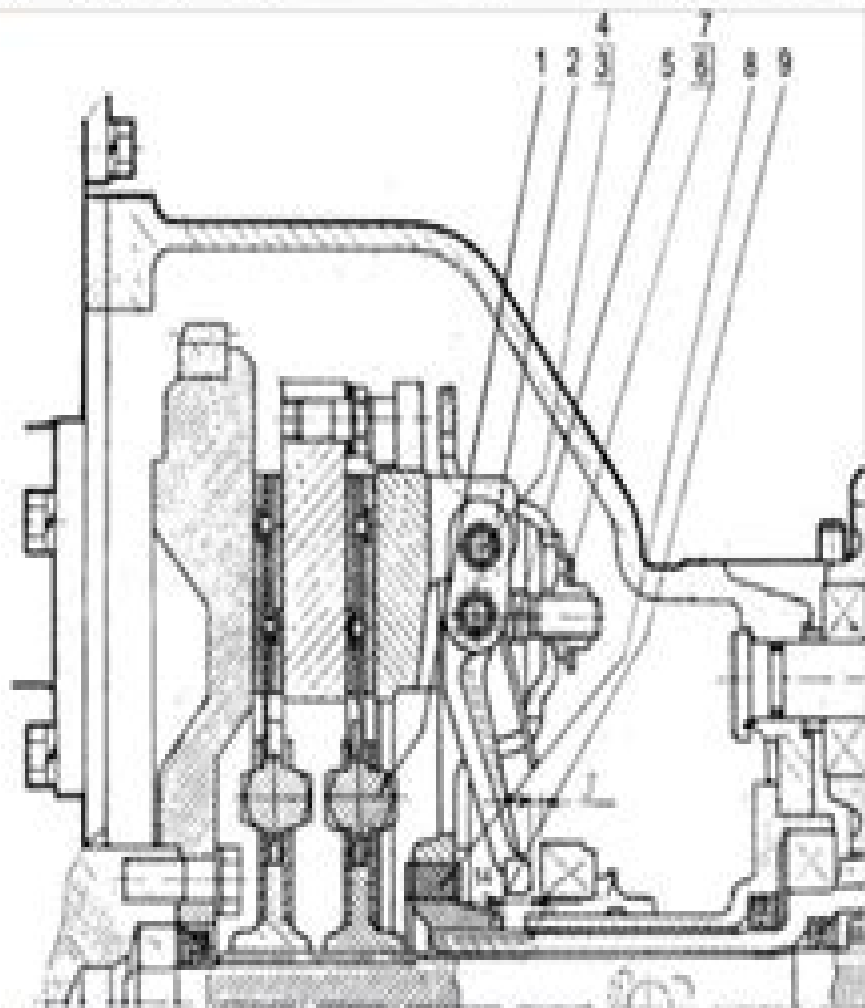
Navigation icons: back, forward, search, zoom in, zoom out, 100% / 305, mouse cursor, rotate, zoom in, zoom out, 66.7%, print, comment, highlight, eraser, delete.

Thumbnail 10

Thumbnail 11

Thumbnail 12

Thumbnail 13



1- damper element, 2- square lever, 3- square lever axle, 4- rollers, 5- support yoke, 6-adjusting nut, 7- backing plate, 8- resilient locking plate element, 9- PTO drive hub.

Mtz 1025 Manual

B Lingard



Mtz 1025 Manual:

As recognized, adventure as skillfully as experience virtually lesson, amusement, as capably as understanding can be gotten by just checking out a ebook **Mtz 1025 Manual** also it is not directly done, you could allow even more just about this life, concerning the world.

We present you this proper as competently as easy quirk to get those all. We present Mtz 1025 Manual and numerous book collections from fictions to scientific research in any way. among them is this Mtz 1025 Manual that can be your partner.

<https://staging.conocer.cide.edu/results/book-search/HomePages/maytag%20bravos%20washer%20troubleshooting.pdf>

Table of Contents Mtz 1025 Manual

1. Understanding the eBook Mtz 1025 Manual
 - The Rise of Digital Reading Mtz 1025 Manual
 - Advantages of eBooks Over Traditional Books
2. Identifying Mtz 1025 Manual
 - Exploring Different Genres
 - Considering Fiction vs. Non-Fiction
 - Determining Your Reading Goals
3. Choosing the Right eBook Platform
 - Popular eBook Platforms
 - Features to Look for in an Mtz 1025 Manual
 - User-Friendly Interface
4. Exploring eBook Recommendations from Mtz 1025 Manual
 - Personalized Recommendations
 - Mtz 1025 Manual User Reviews and Ratings
 - Mtz 1025 Manual and Bestseller Lists
5. Accessing Mtz 1025 Manual Free and Paid eBooks
 - Mtz 1025 Manual Public Domain eBooks

- Mtz 1025 Manual eBook Subscription Services
- Mtz 1025 Manual Budget-Friendly Options
- 6. Navigating Mtz 1025 Manual eBook Formats
 - ePub, PDF, MOBI, and More
 - Mtz 1025 Manual Compatibility with Devices
 - Mtz 1025 Manual Enhanced eBook Features
- 7. Enhancing Your Reading Experience
 - Adjustable Fonts and Text Sizes of Mtz 1025 Manual
 - Highlighting and Note-Taking Mtz 1025 Manual
 - Interactive Elements Mtz 1025 Manual
- 8. Staying Engaged with Mtz 1025 Manual
 - Joining Online Reading Communities
 - Participating in Virtual Book Clubs
 - Following Authors and Publishers Mtz 1025 Manual
- 9. Balancing eBooks and Physical Books Mtz 1025 Manual
 - Benefits of a Digital Library
 - Creating a Diverse Reading Collection Mtz 1025 Manual
- 10. Overcoming Reading Challenges
 - Dealing with Digital Eye Strain
 - Minimizing Distractions
 - Managing Screen Time
- 11. Cultivating a Reading Routine Mtz 1025 Manual
 - Setting Reading Goals Mtz 1025 Manual
 - Carving Out Dedicated Reading Time
- 12. Sourcing Reliable Information of Mtz 1025 Manual
 - Fact-Checking eBook Content of Mtz 1025 Manual
 - Distinguishing Credible Sources
- 13. Promoting Lifelong Learning
 - Utilizing eBooks for Skill Development
 - Exploring Educational eBooks

14. Embracing eBook Trends

- Integration of Multimedia Elements
- Interactive and Gamified eBooks

Mtz 1025 Manual Introduction

Mtz 1025 Manual Offers over 60,000 free eBooks, including many classics that are in the public domain. Open Library: Provides access to over 1 million free eBooks, including classic literature and contemporary works. Mtz 1025 Manual Offers a vast collection of books, some of which are available for free as PDF downloads, particularly older books in the public domain. Mtz 1025 Manual : This website hosts a vast collection of scientific articles, books, and textbooks. While it operates in a legal gray area due to copyright issues, its a popular resource for finding various publications. Internet Archive for Mtz 1025 Manual : Has an extensive collection of digital content, including books, articles, videos, and more. It has a massive library of free downloadable books. Free-eBooks Mtz 1025 Manual Offers a diverse range of free eBooks across various genres. Mtz 1025 Manual Focuses mainly on educational books, textbooks, and business books. It offers free PDF downloads for educational purposes. Mtz 1025 Manual Provides a large selection of free eBooks in different genres, which are available for download in various formats, including PDF. Finding specific Mtz 1025 Manual, especially related to Mtz 1025 Manual, might be challenging as theyre often artistic creations rather than practical blueprints. However, you can explore the following steps to search for or create your own Online Searches: Look for websites, forums, or blogs dedicated to Mtz 1025 Manual, Sometimes enthusiasts share their designs or concepts in PDF format. Books and Magazines Some Mtz 1025 Manual books or magazines might include. Look for these in online stores or libraries. Remember that while Mtz 1025 Manual, sharing copyrighted material without permission is not legal. Always ensure youre either creating your own or obtaining them from legitimate sources that allow sharing and downloading. Library Check if your local library offers eBook lending services. Many libraries have digital catalogs where you can borrow Mtz 1025 Manual eBooks for free, including popular titles. Online Retailers: Websites like Amazon, Google Books, or Apple Books often sell eBooks. Sometimes, authors or publishers offer promotions or free periods for certain books. Authors Website Occasionally, authors provide excerpts or short stories for free on their websites. While this might not be the Mtz 1025 Manual full book , it can give you a taste of the authors writing style. Subscription Services Platforms like Kindle Unlimited or Scribd offer subscription-based access to a wide range of Mtz 1025 Manual eBooks, including some popular titles.

FAQs About Mtz 1025 Manual Books

How do I know which eBook platform is the best for me? Finding the best eBook platform depends on your reading preferences and device compatibility. Research different platforms, read user reviews, and explore their features before making a choice. Are free eBooks of good quality? Yes, many reputable platforms offer high-quality free eBooks, including classics and public domain works. However, make sure to verify the source to ensure the eBook credibility. Can I read eBooks without an eReader? Absolutely! Most eBook platforms offer webbased readers or mobile apps that allow you to read eBooks on your computer, tablet, or smartphone. How do I avoid digital eye strain while reading eBooks? To prevent digital eye strain, take regular breaks, adjust the font size and background color, and ensure proper lighting while reading eBooks. What the advantage of interactive eBooks? Interactive eBooks incorporate multimedia elements, quizzes, and activities, enhancing the reader engagement and providing a more immersive learning experience. Mtz 1025 Manual is one of the best book in our library for free trial. We provide copy of Mtz 1025 Manual in digital format, so the resources that you find are reliable. There are also many Ebooks of related with Mtz 1025 Manual. Where to download Mtz 1025 Manual online for free? Are you looking for Mtz 1025 Manual PDF? This is definitely going to save you time and cash in something you should think about. If you trying to find then search around for online. Without a doubt there are numerous these available and many of them have the freedom. However without doubt you receive whatever you purchase. An alternate way to get ideas is always to check another Mtz 1025 Manual. This method for see exactly what may be included and adopt these ideas to your book. This site will almost certainly help you save time and effort, money and stress. If you are looking for free books then you really should consider finding to assist you try this. Several of Mtz 1025 Manual are for sale to free while some are payable. If you arent sure if the books you would like to download works with for usage along with your computer, it is possible to download free trials. The free guides make it easy for someone to free access online library for download books to your device. You can get free download on free trial for lots of books categories. Our library is the biggest of these that have literally hundreds of thousands of different products categories represented. You will also see that there are specific sites catered to different product types or categories, brands or niches related with Mtz 1025 Manual. So depending on what exactly you are searching, you will be able to choose e books to suit your own need. Need to access completely for Campbell Biology Seventh Edition book? Access Ebook without any digging. And by having access to our ebook online or by storing it on your computer, you have convenient answers with Mtz 1025 Manual To get started finding Mtz 1025 Manual, you are right to find our website which has a comprehensive collection of books online. Our library is the biggest of these that have literally hundreds of thousands of different products represented. You will also see that there are specific sites catered to different categories or niches related with Mtz 1025 Manual So depending on what exactly you are searching, you will be able to choose ebook to suit your own need. Thank you for reading Mtz 1025 Manual. Maybe you have knowledge that, people

have search numerous times for their favorite readings like this Mtz 1025 Manual, but end up in harmful downloads. Rather than reading a good book with a cup of coffee in the afternoon, instead they juggled with some harmful bugs inside their laptop. Mtz 1025 Manual is available in our book collection an online access to it is set as public so you can download it instantly. Our digital library spans in multiple locations, allowing you to get the most less latency time to download any of our books like this one. Merely said, Mtz 1025 Manual is universally compatible with any devices to read.

Find Mtz 1025 Manual :

maytag bravos washer troubleshooting

[mazda 6 engine diagram air cleaner](#)

mazda 626 1996

[mazda 3 hydraulic abs brack sytem manual](#)

~~mazda 323 owners repair manual 81~~

mazda 5 service repair manual 2005 2007

mazda 323 workshop manual 1996

mazda 323 1995 manual

maytag m3dh30b2a dehumidifier manual

~~mazak t2 manual~~

[mazda 323 1990 distributor wiring](#)

~~mazda 16 repair manual~~

maytag med5800tw dryers owners manual

[mazda 5 quick reference guide](#)

mazda 323 b6 engine manual dohc

Mtz 1025 Manual :

59 frases positivas de louise hay para eliminar pensamentos negativos - Oct 06 2022

web oct 24 2018 frases afirmativas e positivas de louise hay afirmações abrem portas elas são pontos de partida no caminho para mudança de hábitos e pensamentos sugiro que você leia e interiorize cada uma das frases a seguir diariamente o poder está sempre no momento presente o perdão é um ato libertador

causa emocional das doenças louise hay - May 01 2022

web causa emocional das doenças louise hay segundo a maravilhosa louise l hay todas as doenças que temos são criadas por nós afirma ela que somos 100 responsáveis por tudo de ruim que acontece no nosso organismo todas as doenças têm origem num estado de não perdão

[tudo está bem louise l hay compra livros na fnac pt](#) - Apr 12 2023

web cure o seu corpo através da medicina do poder das afirmações e da intuição louise hay dedicou décadas da sua vida a ajudar milhões de pessoas em todo o mundo a responder a uma pergunta muito simples como posso desenvolver o meu próprio poder de cura

[está tudo bem por louise l hay mona lisa schulz doralice](#) - May 13 2023

web descubre y escucha este título en audible com há mais de trinta anos louise l hay tem respondido com suas incríveis técnicas de autocura a diversas perguntas de leitores do mundo inteiro como por exemplo como posso me

tudo está bem de louise l hay e mona lisa schulz wook - Oct 18 2023

web tudo está bem cure o seu corpo através da medicina do poder das afirmações e da intuição de louise l hay e mona lisa schulz propriedade descrição isbn 9789896871307 editor pergaminho

[louise hay gratidão pela vida comece bem o seu final de youtube](#) - Mar 31 2022

web apr 28 2023 louisehay constelaçãofamiliar constelaçãofamilairsistêmica método louisehay meditação louisehay meditação guiada afirmações positivas grupo do

[top 28 frases de louise hay no livro você pode curar sua vida](#) - Nov 07 2022

web melhores frases de louise hay 01 na infinidade da vida onde estou tudo é perfeito pleno e completo e no entanto a vida está sempre mudando não existe começo nem fim somente um constante ciclar e reciclar de substância e experiências

[louise l hay bertrand livreiros livraria online](#) - Dec 08 2022

web louise hay 1926 2017 foi uma das fundadoras do movimento new age com uma obra traduzida em mais de 25 idiomas e com mais de 50 milhões de exemplares vendidos em todo o mundo é uma das autoras de maior sucesso de sempre

saúde e amor 44 afirmações positivas de louise hay - Sep 05 2022

web 1 parem com toda a crítica 2 não se alarmem 3 sejam gentis bondosos e pacientes 4 sejam gentis com sua mente 5 elogiem se 6 apoiem se 7 sejam amorosos com seus pontos negativos 8 cuidem do seu corpo 9 trabalho do espelho 10 façam no agora afirmações positivas louise hay afirmações positivas para saúde afirmações

[tudo está bem louise l hay pergaminho porto editora](#) - Jul 15 2023

web louise hay dedicou décadas da sua vida a ajudar milhões de pessoas em todo o mundo a responder a uma pergunta muito simples como posso desenvolver o meu próprio poder de cura os métodos de louise hay de auto cura baseados na intuição no pensamento positivo e no uso de afirmações são de sucesso comprovado

100 frases de louise hay fraseteca - Jun 02 2022

web louise hay eu me concedo o dom de me livrar do passado entro com alegria no agora louise hay eu crio um mundo livre de estresse para mim louise hay eu sou capaz de perdoar eu sou afável carinhoso e gentil e sei que a vida me ama louise hay eu sou uma pessoa capaz e posso enfrentar qualquer coisa

está tudo bem use o poder da medicina das afirmações - Sep 17 2023

web está tudo bem use o poder da medicina das afirmações positivas e da intuição para curar seu corpo ebook kindle por louise l hay autor formato ebook kindle 4 9 4 9 de 5 estrelas 90 avaliações de clientes

all is well heal your body with medicine affirmations - Feb 10 2023

web sep 1 2012 all is well brings together louise s proven affirmation system with mona lisa s knowledge of both medical science and the body s intuition to create an easy to follow guide for health and well being

tudo está bem mona lisa schulz louise l hay pergaminho - Aug 16 2023

web tudo está bem de mona lisa schulz louise l hay isbn 9789896871307 edição reimpressão 06 2013 editor pergaminho idioma português dimensões 149 x 234 x 14 mm encadernação capa mole páginas 256 tipo de produto livro classificação temática livros livros em português desenvolvimento pessoal e espiritual

louise hay pensador - Jul 03 2022

web louise hay 1 25 do total de 29 pensamentos de louise hay quando crescemos temos a tendência de recriar o ambiente emocional do lar onde passamos nossa infância isso não é bom ou mau certo ou errado É apenas o que conhecemos dentro de nós como lar também temos a tendência de recriar nos nossos relacionamentos pessoais os

[eu me amo louise hay nos ensina a curar doenças](#) - Feb 27 2022

web dec 17 2020 confira no vídeo a seguir uma meditação para dormir bem por louise hay pratique com o vídeo a seguir afirmações positivas poderosas para a sua saúde faça também a seguinte meditação para curar a sua vida confira agora nove passos para se amar extraídos do livro criando uma abordagem positiva de louise hay 1

tudo está bem bertrand - Mar 11 2023

web tudo está bem 13 entrei no elevador e enquanto descia para as urgências o meu nervosismo tornou se evidente só sabia o básico a respeito do exa me clínico quanto mais sobre o que fazer com o estetoscópio que trazia ao pescoço ali estava eu momentaneamente enclausurada no elevador de bloco de notas na mão foi nesse

está tudo bem ebook de louise l hay epub livro kobo com - Jan 09 2023

web está tudo bem está tudo bem use o poder da medicina das afirmações positivas e da intuição para curar seu corpo de louise l hay mona lisa schulz sinopse há mais de trinta anos louise l hay tem respondido com suas incríveis técnicas de autocura a diversas perguntas de leitores do mundo inteiro como por exemplo como posso me

tudo está bem mona lisa schulz livro bertrand - Jun 14 2023

web louise hay dedicou décadas da sua vida a ajudar milhões de pessoas em todo o mundo a responder a uma pergunta muito simples como posso desenvolver o meu próprio poder de cura os métodos de louise hay de auto cura baseados na intuição no pensamento positivo e no uso de afirmações são de sucesso comprovado

100 frases inspiradoras e positivas de louise hay - Aug 04 2022

web feb 25 2020 louise hay ensina nos que os nossos pensamentos e emoções negativas são responsáveis por tudo o que nos acontece as citações e frases de louise hay fala de gratidão amor e cura são um verdadeiro presente e tesouro para quem quer pensar na sua vida refletir aprender e crescer a um nível pessoal

whales let s meet mr big fins whales kids book children s - Dec 31 2022

web whales let s meet mr big fins whales kids book children s fish marine life books english edition ebook professor baby amazon com mx tienda kindle

whales let s meet mr big fins paperback july 31 2015 - Feb 01 2023

web jul 31 2015 buy whales let s meet mr big fins on amazon com free shipping on qualified orders

whales let s meet mr big fins overdrive - Aug 07 2023

web dec 20 2015 this is mr big fins and heÕs ready to teach you a lesson or two whales are amazing giants that periodically surface to show you how amazing they are turn the pages of this picture book to learn about them and what you can do

whales let s meet mr big fins kobo com - Sep 08 2023

web rakuten kobo dan baby professor tarafından whales let s meet mr big fins whales kids book kitabını okuyun this is mr big fins and heÕs ready to teach you a lesson or two whales are amazing giants that periodically surface t

[whales let s meet mr big fins by baby professor 2015 07 31](#) - Jul 26 2022

web whales let s meet mr big fins by baby professor 2015 07 31 baby professor books amazon ca

[whales let s meet mr big fins whales kids book google books](#) - Oct 09 2023

web this is mr big fins and heÕs ready to teach you a lesson or two whales are amazing giants that periodically surface to show you how amazing they are turn the pages of this picture

[whales let s meet mr big fins vitalsource](#) - Sep 27 2022

web whales let s meet mr big fins whales kids book is written by baby professor and published by speedy publishing llc the digital and etextbook isbn for whales let s meet mr big fins are 9781682808252 1682808254 and the print isbn are 9781682128787 1682128784

whales let s meet mr big fins a book by baby professor - Mar 02 2023

web this is mr big fins and heÕs ready to teach you a lesson or two whales are amazing giants that periodically surface to

show you how amazing they are turn the pages of this picture book to learn about them and what you can do to make they continue to exist buy your copy today

whales let s meet mr big fins ebook by baby professor hoopla - Oct 29 2022

web whales let s meet mr big fins ebook by baby professor hoopla read whales let s meet mr big fins by baby professor for free on hoopla this is mr big fins and he s ready to teach you a lesson or two whales are amazing giants that pe hoopladigital com

whales let s meet mr big fins whales kids book children s - Aug 27 2022

web whales let s meet mr big fins whales kids book children s fish marine life books english edition ebook professor baby amazon es tienda kindle

hunde lesen lernen von maren grote buch 978 3 440 17558 3 - Apr 22 2022

web hunde lesen lernen hundeverhalten praxisnah erklärt verhalten verstehen und richtig steuern maren grote buch taschenbuch fr 37 90 inkl gesetzl mwst versandkostenfrei

whales let s meet mr big fins by baby professor 2015 07 31 books - Jun 24 2022

web whales let s meet mr big fins by baby professor 2015 07 31 books amazon ca

whales let s meet mr big fins paperback july 31 2015 - Mar 22 2022

web jul 31 2015 whales let s meet mr big fins baby professor 9781682128787 books amazon ca

whales let s meet mr big fins whales kids book ch kenneth - May 24 2022

web whales let s meet mr big fins whales kids book ch when somebody should go to the book stores search commencement by shop shelf by shelf it is really problematic this is why we give the books compilations in this website it will entirely ease you to see guide whales let s meet mr big fins whales kids book ch as you such as

whales let s meet mr big fins by baby professor scribd - Jun 05 2023

web read whales let s meet mr big fins by baby professor with a free trial read millions of ebooks and audiobooks on the web ipad iphone and android

whales let s meet mr big fins by baby professor is available in - Nov 29 2022

web this is mr big fins and heŐs ready to teach you a lesson or two whales are amazing giants that periodically surface to show you how amazing they are turn the pages of this picture book to learn about them and what you can do to make they cont

let s meet mr big fins whales kids book by baby professor - Jul 06 2023

web whales let s meet mr big fins book read reviews from world s largest community for readers this is mr big fins and heŐs ready to teach you a lesso

[whales let s meet mr big fins whales kids book children s](#) - May 04 2023

web whales let s meet mr big fins whales kids book children s fish marine life books ebook professor baby amazon com au kindle store

whales let s meet mr big fins apple books - Apr 03 2023

web this is mr big fins and heŐs ready to teach you a lesson or two whales are amazing giants that periodically surface to show you how amazing they are turn the pages of this picture book to learn about them and what you can do to make they continue to exist

cdl pre trip inspection checklist cdl training today - Jun 19 2023

web studying our simplified class a pre trip inspection checklist taking classes at a local cdl training school and watching videos will prepare you each company s pre trip inspection varies slightly most likely you will have to do the coupling system light check and in cab inspections plus one of the remaining three sections cdl pre trip

cdl pre trip inspection manual - Aug 09 2022

web cdl skills test pre trip inspection 7505 dahlia st commerce city co 80022 303 227 7841 engine compartment 1 axle side and back of truck 1 axle connections and trailer 1 axle external light check in cab with brake check our youtube videos are very popular go to youtube and search for cdl college playlist

annex a vehicle inspection checklist a inspection checklist for - Jan 14 2023

web vehicle inspection checklist c inspection checklist for package or bulk transportation vehicles constructed to carry goods e g lorries pick ups transport of petroleum and flammable materials in package means transport of any petroleum or any flammable materials in one or more containers of less than 250 litres water

what is a pre inspection checklist a full list samsara - May 18 2023

web oct 22 2021 class a cdl pre trip inspection checklist when getting a cdl drivers need to pass a pre trip inspection test it s more intensive than the inspection drivers perform daily this pre trip inspection checklist for a class a cdl gives drivers an overview of performing an inspection

cdl class a pre trip inspection study app cdl college - Oct 11 2022

web the cdl pre trip inspection can be the most daunting portion of the driving test but it s easy if you study use this free study guide to prepare for your cdl skills test would you like a video version of the pre trip inspection scroll to the bottom of this page for a free video courtesy of cdl college tips

[pre trip inspection automobile association of](#) - Mar 04 2022

web enquire or book your pre trip car inspection your pre trip car inspection will be conducted at aa technical services station speak to our technical services division at 6389 4270 6333 8811 today terms conditions apply latest plantable scented

candle amazon bamboo cover set 37 50

[how to do a cdl pre trip inspection 6 steps instructables](#) - Jun 07 2022

web step 1 the front of the semi the first thing you need is a semi with a trailer to complete the inspection the first thing you inspect is how the truck leans looking from the front of the semi if it is to one side you will have a suspension problem next you check to see if the lights in the front of the semi are not cracked damaged or

complete cdl pre trip inspection checklists calamp - Feb 15 2023

web may 6 2023 a pre trip inspection checklist is a list of items that cdl holders need to review before operating their vehicles as you may have guessed this process is known as a pre trip inspection what is a pre trip inspection

class a cdl pre trip inspection simplified cdl college - Aug 21 2023

web 3 l s leaks leans and lights before opening the hood check for leaks on the ground under the engine check that the truck is not leaning to one side or the other check the lights on the top and front of the truck they must be the proper color and not cracked broken or dirty 3 fluids

vehicle inspection vehicle inspection checklist vicom - May 06 2022

web contact us overview inspection for petrol driven vehicles petrol hybrid vehicles inspection for diesel driven vehicles diesel hybrid vehicles inspection for electric vehicles inspection for motorcycles inspection for power assisted bicycles inspection for e scooter cdst nea enforcement scdf fire safety petroleum flammable material

pre trip inspection study guide trucking truth - Sep 22 2023

web the pre trip inspection is a thorough inspection of the vehicle and all of its major systems inspecting the vehicle before driving each day is a federal requirement and normally takes about 15 minutes it must be logged in your logbook as on duty not driving

complete cdl pre trip inspection checklists calamp cdl class a pre - Apr 05 2022

web see you need to know about cdl pre trip inspection reference for class one and class b drivers

the ultimate guide to a pre trip inspection toolsense - Sep 10 2022

web depending on whether a driver is checking a cdl class a b or c vehicle different components of the vehicle need to be checked before every trip examples from a pre trip inspection checklist might include suspension parts coupling brakes wheels emergency equipment lights and windshield wipers

the complete pre trip inspection checklist class a drivers - Apr 17 2023

web the complete pre trip inspection checklist due to heavy memorization the pre trip inspection is one of the hardest aspects of the cdl test also called the vehicle inspection test the pre trip is one of the tests that trucking students fail the most with this pre trip inspection checklist we tell you everything you need to know and

cdl class a pre trip inspection updated 2023 youtube - Jul 20 2023

web aug 7 2023 this video will explain the full pre trip inspection on your class a truck for the new cdl road test watch the whole thing to learn the new pre trip our web

cdl pre trip inspection checklist reference free pdf 2023 - Oct 23 2023

web jan 17 2023 pre trip inspection checklist download free and print it printable pre trip inspection checklist pdf there are many sections to learn but the test is not as difficult as it may seem studying our simplified class a pre trip inspection checklist and taking classes at your local cdl training school will get you prepared engine

how to remember pre trip inspection cdl pre trip inspection - Mar 16 2023

web you have 20 minutes for a class 4 pre trip inspection class e f section it up sequence stick to your sequence so that you know the whole pre trip inspection the air brake component is the most difficult because you have to memorize numbers you re looking for a symptom and because you got that symptom the component is working

pre trip inspection checklist for class a cdl a complete guide - Jul 08 2022

web jun 28 2022 pre trip inspection for class a cdl the cdl inspections are prescribed by the dot and governed by dot regulations you need to remember all the pre trip inspection items before appearing for a cdl examination this pre trip inspection checklist for a class a cdl gives an overview of how to perform an inspection points

pre trip inspection checklist for class a cdl a complete guide - Nov 12 2022

web may 1 2023 trucking pre trip inspection checklist for class a cdl a complete guide may 1 2023 no comments by james johnson driving a class a cdl vehicle such as a tractor trailer or semi truck necessitates considerable responsibility and attention to

what is the class a pre trip inspection cdl career now - Dec 13 2022

web the cdl pre trip inspection is a seven step process that examines each part of the vehicle this thorough inspection ensures all parts of your truck are in good working order which gives you the best chance at avoiding issues on the road