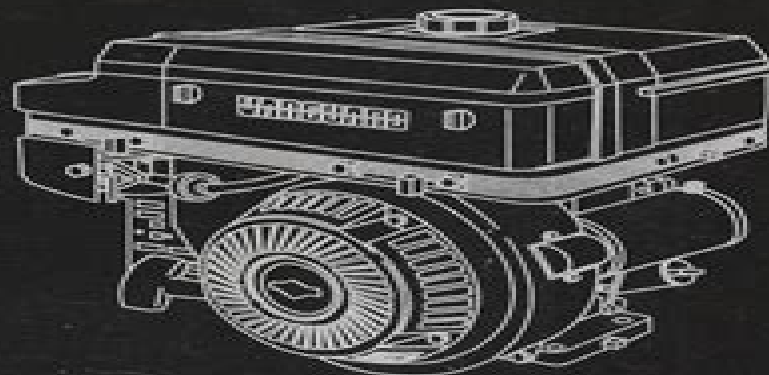
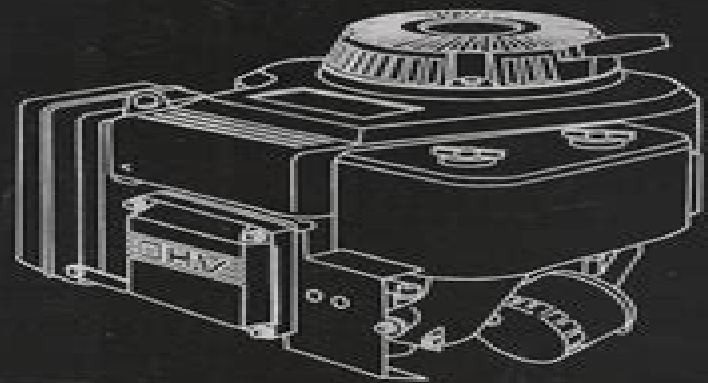
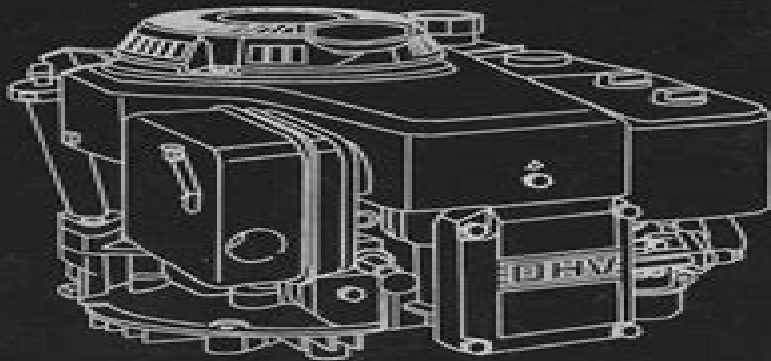




VANGUARD

Repair Manual

For Single Cylinder OHV Engines



Manual For Briggs N Stratton 28v707 Engine

Huangqi Zhang



Manual For Briggs N Stratton 28v707 Engine:

Briggs & Stratton Service Engine Sales Manual Briggs & Stratton Corp,1969 *Operating and Maintenance Manual with Parts Catalog* ,195? **Briggs & Stratton Service Manual** Briggs & Stratton Corporation,1987 *Briggs & Stratton L-Head Engine Service* Penton Staff,2000-05-24 Clymer Manuals ProSeries Briggs Stratton 2 0 12 5 hp single cylinder L head aluminum engine repair manual covers more than 55 models Service Manual, Engine, Fuel & Electrical Systems (Briggs & Stratton). International Harvester Company,1973 **Operating and Maintenance Manual with Parts Catalog** Briggs & Stratton Corporation,1950 **Briggs & Stratton Service and Parts Manual** Briggs & Stratton Corporation,19??

Small engine : Briggs and Stratton four stroke series ... ,1990 **Briggs & Stratton Repair Manual for Single Cylinder 4-cycle Engines** ,1994 Briggs & Stratton Joan Coles,Clarence W. Coles,1998-05 Covers 4 stroke single cylinder engines from the 1950s forward Keywords General Interest Manuals *Briggs and Stratton Service and Repair Manual* ,1977 Briggs & Stratton L-Head Engine Service Penton Staff,2000-05-24 Clymer Manuals ProSeries Briggs Stratton 2 0 12 5 hp single cylinder L head aluminum engine repair manual covers more than 55 models **Briggs & Stratton Single Cylinder Four-stroke Overhead Valve (OHV) Engine** Joan Coles,Clarence W. Coles,1994 **Briggs and Stratton Student Training Manual for the Quantum Power Engine** Richard C. Grant,1991-10-01 Repair Instructions Briggs and Stratton Corp,1973 **Briggs & Stratton V-twin Cylinder Ohv Repair Manual** Briggs & Stratton Corporation,1991 Briggs and Stratton 4 Cycle Air-cooled Engine ,1965 **Small Engines** Gregory's Publishing Co. Pty Ltd,1982 **How to Repair Briggs & Stratton Engines** Paul Dempsey,1994 This practical step by step guide advises on how to repair Briggs and Stratton engines which power a wide variety of lawn mowers garden tools go karts air compressors and other light utility units This edition has been updated to include current information on both new and old engines as well as a new section on engine components and types **Briggs & Stratton Service Manual for Out of Production Engines 1919-1981** ,2000

When somebody should go to the ebook stores, search foundation by shop, shelf by shelf, it is essentially problematic. This is why we allow the book compilations in this website. It will unquestionably ease you to see guide **Manual For Briggs N Stratton 28v707 Engine** as you such as.

By searching the title, publisher, or authors of guide you truly want, you can discover them rapidly. In the house, workplace, or perhaps in your method can be every best area within net connections. If you point to download and install the Manual For Briggs N Stratton 28v707 Engine, it is agreed simple then, previously currently we extend the connect to purchase and create bargains to download and install Manual For Briggs N Stratton 28v707 Engine hence simple!

https://staging.conocer.cide.edu/About/browse/Documents/more_quick_easy_hexie_quilts.pdf

Table of Contents Manual For Briggs N Stratton 28v707 Engine

1. Understanding the eBook Manual For Briggs N Stratton 28v707 Engine
 - The Rise of Digital Reading Manual For Briggs N Stratton 28v707 Engine
 - Advantages of eBooks Over Traditional Books
2. Identifying Manual For Briggs N Stratton 28v707 Engine
 - Exploring Different Genres
 - Considering Fiction vs. Non-Fiction
 - Determining Your Reading Goals
3. Choosing the Right eBook Platform
 - Popular eBook Platforms
 - Features to Look for in an Manual For Briggs N Stratton 28v707 Engine
 - User-Friendly Interface
4. Exploring eBook Recommendations from Manual For Briggs N Stratton 28v707 Engine
 - Personalized Recommendations
 - Manual For Briggs N Stratton 28v707 Engine User Reviews and Ratings
 - Manual For Briggs N Stratton 28v707 Engine and Bestseller Lists

5. Accessing Manual For Briggs N Stratton 28v707 Engine Free and Paid eBooks
 - Manual For Briggs N Stratton 28v707 Engine Public Domain eBooks
 - Manual For Briggs N Stratton 28v707 Engine eBook Subscription Services
 - Manual For Briggs N Stratton 28v707 Engine Budget-Friendly Options
6. Navigating Manual For Briggs N Stratton 28v707 Engine eBook Formats
 - ePub, PDF, MOBI, and More
 - Manual For Briggs N Stratton 28v707 Engine Compatibility with Devices
 - Manual For Briggs N Stratton 28v707 Engine Enhanced eBook Features
7. Enhancing Your Reading Experience
 - Adjustable Fonts and Text Sizes of Manual For Briggs N Stratton 28v707 Engine
 - Highlighting and Note-Taking Manual For Briggs N Stratton 28v707 Engine
 - Interactive Elements Manual For Briggs N Stratton 28v707 Engine
8. Staying Engaged with Manual For Briggs N Stratton 28v707 Engine
 - Joining Online Reading Communities
 - Participating in Virtual Book Clubs
 - Following Authors and Publishers Manual For Briggs N Stratton 28v707 Engine
9. Balancing eBooks and Physical Books Manual For Briggs N Stratton 28v707 Engine
 - Benefits of a Digital Library
 - Creating a Diverse Reading Collection Manual For Briggs N Stratton 28v707 Engine
10. Overcoming Reading Challenges
 - Dealing with Digital Eye Strain
 - Minimizing Distractions
 - Managing Screen Time
11. Cultivating a Reading Routine Manual For Briggs N Stratton 28v707 Engine
 - Setting Reading Goals Manual For Briggs N Stratton 28v707 Engine
 - Carving Out Dedicated Reading Time
12. Sourcing Reliable Information of Manual For Briggs N Stratton 28v707 Engine
 - Fact-Checking eBook Content of Manual For Briggs N Stratton 28v707 Engine
 - Distinguishing Credible Sources
13. Promoting Lifelong Learning

- Utilizing eBooks for Skill Development
 - Exploring Educational eBooks
14. Embracing eBook Trends
- Integration of Multimedia Elements
 - Interactive and Gamified eBooks

Manual For Briggs N Stratton 28v707 Engine Introduction

In the digital age, access to information has become easier than ever before. The ability to download Manual For Briggs N Stratton 28v707 Engine has revolutionized the way we consume written content. Whether you are a student looking for course material, an avid reader searching for your next favorite book, or a professional seeking research papers, the option to download Manual For Briggs N Stratton 28v707 Engine has opened up a world of possibilities. Downloading Manual For Briggs N Stratton 28v707 Engine provides numerous advantages over physical copies of books and documents. Firstly, it is incredibly convenient. Gone are the days of carrying around heavy textbooks or bulky folders filled with papers. With the click of a button, you can gain immediate access to valuable resources on any device. This convenience allows for efficient studying, researching, and reading on the go. Moreover, the cost-effective nature of downloading Manual For Briggs N Stratton 28v707 Engine has democratized knowledge. Traditional books and academic journals can be expensive, making it difficult for individuals with limited financial resources to access information. By offering free PDF downloads, publishers and authors are enabling a wider audience to benefit from their work. This inclusivity promotes equal opportunities for learning and personal growth. There are numerous websites and platforms where individuals can download Manual For Briggs N Stratton 28v707 Engine. These websites range from academic databases offering research papers and journals to online libraries with an expansive collection of books from various genres. Many authors and publishers also upload their work to specific websites, granting readers access to their content without any charge. These platforms not only provide access to existing literature but also serve as an excellent platform for undiscovered authors to share their work with the world. However, it is essential to be cautious while downloading Manual For Briggs N Stratton 28v707 Engine. Some websites may offer pirated or illegally obtained copies of copyrighted material. Engaging in such activities not only violates copyright laws but also undermines the efforts of authors, publishers, and researchers. To ensure ethical downloading, it is advisable to utilize reputable websites that prioritize the legal distribution of content. When downloading Manual For Briggs N Stratton 28v707 Engine, users should also consider the potential security risks associated with online platforms. Malicious actors may exploit vulnerabilities in unprotected websites to distribute malware or steal personal information. To protect themselves, individuals should ensure their devices have reliable antivirus software installed and validate the legitimacy of the websites

they are downloading from. In conclusion, the ability to download Manual For Briggs N Stratton 28v707 Engine has transformed the way we access information. With the convenience, cost-effectiveness, and accessibility it offers, free PDF downloads have become a popular choice for students, researchers, and book lovers worldwide. However, it is crucial to engage in ethical downloading practices and prioritize personal security when utilizing online platforms. By doing so, individuals can make the most of the vast array of free PDF resources available and embark on a journey of continuous learning and intellectual growth.

FAQs About Manual For Briggs N Stratton 28v707 Engine Books

How do I know which eBook platform is the best for me? Finding the best eBook platform depends on your reading preferences and device compatibility. Research different platforms, read user reviews, and explore their features before making a choice. Are free eBooks of good quality? Yes, many reputable platforms offer high-quality free eBooks, including classics and public domain works. However, make sure to verify the source to ensure the eBook credibility. Can I read eBooks without an eReader? Absolutely! Most eBook platforms offer web-based readers or mobile apps that allow you to read eBooks on your computer, tablet, or smartphone. How do I avoid digital eye strain while reading eBooks? To prevent digital eye strain, take regular breaks, adjust the font size and background color, and ensure proper lighting while reading eBooks. What the advantage of interactive eBooks? Interactive eBooks incorporate multimedia elements, quizzes, and activities, enhancing the reader engagement and providing a more immersive learning experience. Manual For Briggs N Stratton 28v707 Engine is one of the best book in our library for free trial. We provide copy of Manual For Briggs N Stratton 28v707 Engine in digital format, so the resources that you find are reliable. There are also many Ebooks of related with Manual For Briggs N Stratton 28v707 Engine. Where to download Manual For Briggs N Stratton 28v707 Engine online for free? Are you looking for Manual For Briggs N Stratton 28v707 Engine PDF? This is definitely going to save you time and cash in something you should think about.

Find Manual For Briggs N Stratton 28v707 Engine :

more quick easy hexie quilts

mos 77 418

[monroe county ohio oil and gas report](#)

monster list and breeding guide

[money guide animal crossing city folk](#)

[mongolian stir fry sauce recipe](#)

[monitoring comprehension third grade lesson](#)

[mori seiki manual lathe for sale](#)

[morbid stories satanic satire](#)

montana drivers manual

[mongoose ems 7 0 manual](#)

[mondeo wiring diagram anti theft](#)

mondeo 2001 owners manual

mortuary refrigeration system block diagram

[moon diamonds a siamese cat story english edition](#)

Manual For Briggs N Stratton 28v707 Engine :

nss physics at work e3 solution 2023 lfe - May 18 2023

web nss physics at work e3 solution 1 omb no nss physics at work e3 solution igcse physics energy 3 work done physics work energy and power part 3 past exam question classical music for brain power mozart jamb physics ep 4 work energy power past questions solutions 3 hour focus music study

[nss physics at work e3 solution pdf uniport edu](#) - Oct 31 2021

web may 22 2023 working professional and serious student this book covers all aspects of the task the topics range from user psychology to selecting a language to implementing redisplay to designing the command set

[nss physics at work e3 solution pdf uniport edu](#) - Jul 08 2022

web aug 31 2023 nss physics at work e3 solution 1 4 downloaded from uniport edu ng on august 31 2023 by guest nss physics at work e3 solution as recognized adventure as well as experience nearly lesson amusement as well as conformity can be gotten by just checking out a book nss physics at work e3 solution after that it is not directly done

[nss physics at work e3 solution pdf 2023 algoritmi pybossa](#) - Dec 01 2021

web nss physics at work e3 solution pdf introduction nss physics at work e3 solution pdf 2023 mastering openvpn

[nss physics at work e3 solution helge holden](#) - Jun 19 2023

web nss physics at work e3 solution this is likewise one of the factors by obtaining the soft documents of this nss physics at work e3 solution by online you might not require more mature to spend to go to the book start as well as search for them in some cases you likewise do not discover the notice nss physics at work e3

[read free nss physics at work e3 solution](#) - Jan 14 2023

web nss physics at work e3 solution physics around us how and why things work apr 10 2023 this book is suitable for a first year non calculus physics course it covers mechanics fluids gravitation thermal physics electricity and magnetism and modern physics including atoms an introduction to quantum mechanics special

[nss physics at work e3 solution pdf uniport edu](#) - Oct 11 2022

web nss physics at work e3 solution is available in our book collection an online access to it is set as public so you can download it instantly our books collection spans in multiple countries allowing you to get the most less latency

physics ss3 classnotes ng - Feb 03 2022

web nov 27 2019 3 thoughts on physics ss3 basher alkasim october 18 2022 at 11 31 am yes reply basher alkasim october 18 2022 at 11 32 am yes reply audutimothy229 november 9 2022 at 12 54 pm can u pls help me with the pdf notea send it through my email reply leave a reply cancel reply

nss physics at work e3 solution secure4 khronos - Mar 16 2023

web you could speedily fetch this nss physics at work e3 solution after getting deal in particular situations you also succeed not explore the journal nss physics at work e3 solution that you are looking for you could buy instruction nss physics at work e3 solution or get it as soon as practical

nss physics at work e3 solution help environment harvard edu - Dec 13 2022

web we provide nss physics at work e3 solution and numerous books collections from fictions to scientific research in any way along with them is this nss physics at work e3 solution that can be your partner

[eservices ns](#) - Apr 05 2022

web some images courtesy of pioneer 20 mar 2020 last updated on aug 12 2022 4 09 58 pm gmt 8 best viewed using google chrome v51 edge v13 or safari v9 and above

nss physics at work e3 solution pdf free live hubitat - Sep 10 2022

web reliability and maintainability ram training vincent r lalli 2000 the theme of this manual is failure physics the study of how products hardware software and systems fail and what can be done about it the intent is to impart useful information to extend the limits of production capability and to assist in

[teaching and learning resources centre](#) - Sep 22 2023

web dec 2 2022 the physics at work for hkdse teacher s resources centre website is launched 28 02 2023 video solutions of mock paper 1a for 2023 hkdse are now available in nsspaw 2nd ed teaching resources centre 02 12 2022 new teaching materials for nsspaw 2nd ed available including mock papers for 2023 hkdse

nss physics at work e3 solution pdf uniport edu - Feb 15 2023

web jul 22 2023 nss physics at work e3 solution 1 10 downloaded from uniport edu ng on july 22 2023 by guest nss physics at work e3 solution when people should go to the books stores search instigation by shop shelf by shelf it is in fact problematic this is why we allow the ebook compilations in this website it will

[nss physics at work e3 solution pdf uniport edu](#) - Apr 17 2023

web jul 25 2023 nss physics at work e3 solution is available in our book collection an online access to it is set as public so you can download it instantly our digital library hosts in multiple countries allowing you to get the most less latency time to download any of our books like this one merely said the nss physics at work e3 solution is

[nss physics at work e3 solution cyberlab sutd edu sg](#) - Aug 21 2023

web nss physics at work e3 solution a treatise on statics may 26 2021 this work has been selected by scholars as being culturally important and is part of the knowledge base of civilization as we know it this work was reproduced from the original artifact and remains as true to the original work as possible

nss physics at work solution secure4 khronos - May 06 2022

web acquiring the digital records of this nss physics at work solution by online we compensate for nss physics at work solution and various books assortments from fictions to scientific

[nss physics at work e3 solution test naf](#) - Nov 12 2022

web this nss physics at work e3 solution but end up in harmful downloads it is your absolutely own mature to demonstrate evaluating practice in certain scenarios you similarly achieve not find the magazine nss physics at work e3 solution that you are looking for in lieu than relishing a good book with a cup of brew in the morning

nss physics at work e3 solution download only - Jan 02 2022

web get lead by on line this online statement nss physics at work e3 solution can be one of the options to accompany you similar to having new time it will not waste your time say you will me the e book will utterly space you additional event to read just invest little period to way in this on line proclamation nss physics at work e3 solution

nss physics at work e3 solution pivotid uvu - Aug 09 2022

web this lower velocity is known as rate of descent landing velocity or impact velocity and is determined by the following requirements 1 landing personnel uninjured and ready for action 2 landing equipment and air vehicles undamaged and ready for use or refurbishment and 3 impacting ordnance at a preselected angle and velocity

nss physics at work e3 solution prospectus camre ac - Jun 07 2022

web uncover the publication nss physics at work e3 solution that you are looking for yet when realize you give a encouraging reaction that you call for to get those every demands in the in the same manner as having substantially banknotes

nss physics at work second edition trc - Oct 23 2023

web download file size 1a calibrating an unmarked liquid in glass thermometer 2a relationship between energy transferred temperature change and mass

nss physics at work second edition trc - Jul 20 2023

web select all chapter item description page no skill type download file size 4 nature of waves 3b 1 sketching the waveform after a certain time 12 drawing 5 wave phenomena and stationary waves

space solar power an energy solution for tomorrow - Mar 04 2022

web all of these technologies are consistent with the laws of physics are reasonably near term and have multiple attractive approaches however a great deal of work is needed to develop economically competitive space solar power nss encourages both the private sector and governments to devote substantial resources toward ssp research and

outsiders character analysis graphic organizers ppt - May 04 2022

web the outsiders character analysis graphic organizers these graphic organizers for s e hinton s novel the outsiders include two different character analysis character sketch graphic organizers there are two organizers for all of the main characters in the novel

the outsiders character sketch assignment made by teachers - Apr 15 2023

web jul 24 2021 this assignment is based on chapter 1 of s e hinton s novel the outsiders this is a two part assignment in the first part students will

outsiders character charts teaching resources teachers pay teachers - Mar 02 2022

web the outsiders character charts by teaching muse 4 9 37 2 25 pdf help your students keep track of the characters in the outsiders with these helpful graphic organizers graphic organizers focus on character traits how each one looks acts and sounds as well what others say about the person

the outsiders character traits analysis study com - Sep 08 2022

web the outsiders overview the outsiders is a coming of age story that follows ponyboy curtis through his struggles to come to terms with the hand he s been dealt the conflict in this story stems

the outsiders character analysis litcharts - Sep 20 2023

web need help on characters in s e hinton s the outsiders check out our detailed character descriptions from the creators of sparknotes

results for the outsiders character charts answer key ppt - May 16 2023

web includes includes plot diagram with answer key literary terms chart fill in terms and textual evidence with answer key vocabulary by chapter with answer key guided reading questions with answer key thematic response with answer key background on novel and s e hintonconflicts allusions foreshadowing and symbols with a

the outsiders characters gradesaver - Jul 18 2023

web soda ponyboy s second oldest brother who is sixteen ponyboy describes him as always happy go lucky and grinning he is extraordinarily handsome with a finely drawn sensitive face that somehow manages to be reckless and thoughtful at the same time darry ponyboy s oldest brother who is twenty he works as a roofer

the outsiders character analysis course hero - Mar 14 2023

web learn all about how the characters in the outsiders such as ponyboy curtis and johnny cade contribute to the story and how they fit into the plot detailed analysis of characters in s e hinton s the outsiders

the outsiders the outsiders book summary study guide character - Feb 13 2023

web get free homework help on s e hinton s the outsiders book summary chapter summary and analysis quotes essays and character analysis courtesy of cliffsnotes in i the outsiders i s e hinton tells the story of 14 year old ponyboy curtis and his struggle with right and wrong in a society in which he is an outsider

the outsiders characters enotes com - Nov 10 2022

web the outsiders characters t he main characters in the outsiders are ponyboy curtis darry curtis sodapop curtis johnny cade bob sheldon and cherry valance ponyboy curtis is the narrator and a

the outsiders character sketch blogger - Jun 05 2022

web feb 18 2010 character sketch the main character in the book the outsiders is ponyboy he is fourteen years old and is in a gang called the greasers his two older brothers are also in the gang and the oldest of the brothers is

the outsiders character analysis essay 1431 words studymode - Feb 01 2022

web the outsiders a novel written by s e hinton contains many dynamic characters however the main character ponyboy curtis endures the most change he witnesses many life changing events over the course of two weeks which heavily contributes to his transformation in the beginning ponyboy feels isolated and alienated from the world

the outsiders character list sparknotes - Aug 19 2023

web cherry valance bob s girlfriend she is a soc cheerleader whom ponyboy meets at the movies cherry s real name is sherri but people call her cherry because of her red hair ponyboy and cherry have a great deal in common

the outsiders characters thoughtco - Jul 06 2022

web updated on january 30 2020 most of the characters in the outsiders by s e hinton belong to two rival factions the greasers and the socs though the youngsters mostly adhere to their social groups and status casual encounters lead them to realize they are very similar in many ways ironically these encounters also lead to the violent

the outsiders character analysis of ponyboy curtis the outsiders - Jun 17 2023

web get free homework help on s e hinton s the outsiders book summary chapter summary and analysis quotes essays and

character analysis courtesy of cliffsnotes in the outsiders s e hinton tells the story of 14 year old ponyboy curtis and his struggle with right and wrong in a society in which he is an outsider

character sketch the outsiders emily rejda - Oct 09 2022

web character sketch the outsiders unit rationale in this unit students will critically engage with characterization through s e hinton s the outsiders students will understand and comprehend characterization through a growing awareness of direct and indirect characterization

the outsiders character analysis or character study tpt - Dec 11 2022

web questions answers the outsiders an easy to use set of graphic organizers to help students complete a character analysis or character study for the outsiders there are two versions of this assignment included one for a paragraph character summary the other for a longer multi paragraph essay

the outsiders characters who s who storyboard that - Aug 07 2022

web identify the major characters in the outsiders and type their names into the different title boxes choose a character from the 1900s tab to represent each of the literary characters select colors and a pose appropriate to story and character traits choose a scene or background that makes sense for the character

the outsiders character chart worksheets teaching - Jan 12 2023

web teaching muse 37 2 25 pdf help your students keep track of the characters in the outsiders with these helpful graphic organizers graphic organizers focus on character traits how each one looks acts and sounds as well what others say about the person choose from different versions of the character charts there are printa subjects

the outsiders character sketches by danielle prezi - Apr 03 2022

web jan 3 2013 ponyboy curtis hair color light brown eye color greenish grey age fourteen distinguishing features long greasy hair clothes leather jackets t shirts jeans etc tough looking clothes what the character says page 115 greaser didn t have anything to do with it my

jose marti cra c ateur soy el verso reports budgetbakers - Aug 02 2022

web 2 jose marti cra c ateur soy el verso 2022 06 03 this study focuses on the cognitive processes involved in creole genesis relexification reanalysis and direct leveling the

yo soy el artista hangar tv episode 2014 imdb - Dec 26 2021

web yo soy el artista tv series hangar 2014 plot showing all 0 items jump to summaries it looks like we don t have any plot summaries for this title yet be the first to contribute

jose marti cra c ateur soy el verso pdf moodle morganintl - Jan 27 2022

web comprehending as skillfully as treaty even more than extra will pay for each success bordering to the proclamation as

well as sharpness of this jose marti cra c ateur soy

[jose marti cra c ateur soy el verso copy uniport edu](#) - Feb 25 2022

web jun 15 2023 merely said the jose marti cra c ateur soy el verso is universally compatible later than any devices to read essays in legal history paul vinogradoff 1972

jose marti cra c ateur soy el verso pdf - Jul 13 2023

web jose marti cra c ateur soy el verso pieces du memorable proces esmev l an m dc vi entre le pape pavl v et les seigneurs de venise touchant l excommunication du pape

[jose marti cra c ateur soy el verso full pdf old vulkk](#) - May 11 2023

web jose marti cra c ateur soy el verso downloaded from old vulkk com by guest singleton berg the vidas of the troubadours getty publications in this wide

[jose marti créateur soy el verso by carmen val julian assets](#) - Oct 04 2022

web jose marti créateur soy el verso by carmen val julian jose marti créateur soy el verso by carmen val julian bibliographie de la france 1854 bibliographie pdf full text

jose marti cra c ateur soy el verso download only ci kubesail - Jun 12 2023

web 4 jose marti cra c ateur soy el verso 2019 09 15 mediterranean area walter de gruyter the first exhibition to offer a critical assessment of the artistic experimentation that

jose marti kimdir sözleri ve hayatı 7 söz sözkimin com - Dec 06 2022

web José Julián Martí Pérez 28 ocak 1853 19 mayıs 1895 küba bağımsızlık mücadelesinin öncüsü şair ve yazardır gençliği 1853 yılında havana da doğan marti 17 yaşındayken

jose marti crã â ateur soy el verso by carmen val julian - Nov 05 2022

web jose marti crã â ateur soy el verso by carmen val julian textes du colloque consacré à José Martí poète tenu à l École normale supérieure de fontenay st cloud les 26 et 27

[jose marti créateur soy el verso by carmen val julian](#) - Sep 22 2021

web jose marti créateur soy el verso by carmen val julian jose marti créateur soy el verso by carmen val julian newspaper twinfallspubliibrary oarso1990 by eua ame

marti José créateur soy el amor soy el verso val julian - Jan 07 2023

web jan 15 1995 marti José créateur soy el amor soy el verso val julian on amazon com free shipping on qualifying offers val julian 9782729895112

[jose marti cra c ateur soy el verso pdf download only](#) - Sep 03 2022

web stimulate metamorphosis is really astonishing within the pages of jose marti cra c ateur soy el verso pdf an enthralling

opus penned by a very acclaimed wordsmith readers

[jose marti créateur soy el verso by carmen val julian](#) - Oct 24 2021

web jun 26 2023 if you collaborator way such a referred jose marti créateur soy el verso by carmen val julian books that will find the money for you worth obtain the absolutely

jose marti cra c ateur soy el verso pdf app piphany com - Apr 29 2022

web jose marti cra c ateur soy el verso pdf pdf 2023 03 11 web jose marti cra c ateur soy el verso copy web jose marti cra c ateur soy el verso is available in our digital library an

[jose marti créateur soy el verso by carmen val julian assets](#) - Mar 29 2022

web may 25 2023 jose marti créateur soy el verso by carmen val julian c est un enfant au solstice d hiver un jeune homme au printemps il est dans toute sa force en t et il tombe

jose marti cra c ateur soy el verso pdf uniport edu - May 31 2022

web apr 11 2023 jose marti cra c ateur soy el verso pdf copy do ceolas co webjose marti cra c ateur soy el verso pdf 1 1 downloaded from do ceolas co uk on january

[jose marti cra c ateur soy el verso jim trelease pdf](#) - Apr 10 2023

web this jose marti cra c ateur soy el verso but end up in harmful downloads rather than enjoying a good book with a cup of coffee in the afternoon instead they cope with some

jose marti cra c ateur soy el verso copy verify meetcircle - Nov 24 2021

web 2 jose marti cra c ateur soy el verso 2020 07 29 strawberry is among the most widely consumed fruits in the world and its cultivation is increasing worldwide it is a

[jose marti cra c ateur soy el verso pdf uniport edu](#) - Mar 09 2023

web jose marti cra c ateur soy el verso 1 7 downloaded from uniport edu ng on may 4 2023 by guest jose marti cra c ateur soy el verso thank you for reading jose marti cra c

jose marti cra c ateur soy el verso wendy guerra full pdf - Feb 08 2023

web jose marti cra c ateur soy el verso this is likewise one of the factors by obtaining the soft documents of this jose marti cra c ateur soy el verso by online you might not

jose marti cra c ateur soy el verso uniport edu - Jul 01 2022

web may 8 2023 guest jose marti cra c ateur soy el verso pdf right here we have countless book jose marti cra c ateur soy el verso pdf and collections to check out

jose marti cra c ateur soy el verso copy - Aug 14 2023

web jose marti cra c ateur soy el verso mundo hispánico apr 22 2020 grammaire espagnole compos b ee par l acad b emie

royale espagnole traduite en fran p la