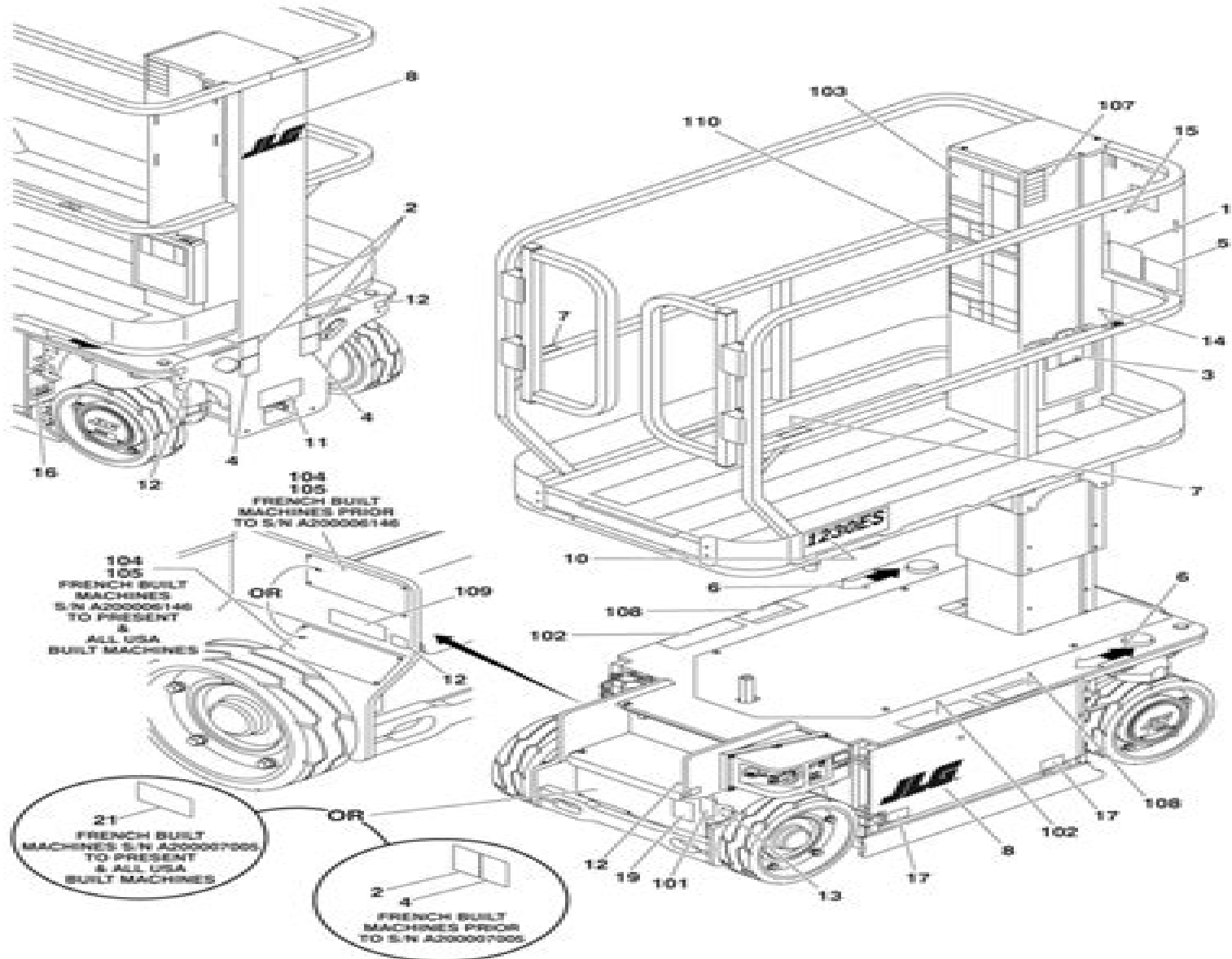


# SECTION 8 DECALS

## FIGURE 8-1. DECAL INSTALLATION



# Genie Hb6024b Manual

**F. A. Akeroyd, Rutherford Appleton  
Laboratory, Council For The Central  
Laboratory of The Research Councils**

**Genie Hb6024b Manual:**

**Open Genie Reference Manual** F. A. Akeroyd, Rutherford Appleton Laboratory, Council For The Central Laboratory of The Research Councils, 1999

If you ally dependence such a referred **Genie Hb6024b Manual** book that will meet the expense of you worth, acquire the totally best seller from us currently from several preferred authors. If you desire to humorous books, lots of novels, tale, jokes, and more fictions collections are plus launched, from best seller to one of the most current released.

You may not be perplexed to enjoy all books collections Genie Hb6024b Manual that we will certainly offer. It is not in relation to the costs. Its very nearly what you need currently. This Genie Hb6024b Manual, as one of the most vigorous sellers here will certainly be along with the best options to review.

[https://staging.conocer.cide.edu/book/publication/HomePages/janes\\_infantry\\_weapons\\_1992\\_93\\_eighteenth\\_edition.pdf](https://staging.conocer.cide.edu/book/publication/HomePages/janes_infantry_weapons_1992_93_eighteenth_edition.pdf)

## **Table of Contents Genie Hb6024b Manual**

1. Understanding the eBook Genie Hb6024b Manual
  - The Rise of Digital Reading Genie Hb6024b Manual
  - Advantages of eBooks Over Traditional Books
2. Identifying Genie Hb6024b Manual
  - Exploring Different Genres
  - Considering Fiction vs. Non-Fiction
  - Determining Your Reading Goals
3. Choosing the Right eBook Platform
  - Popular eBook Platforms
  - Features to Look for in an Genie Hb6024b Manual
  - User-Friendly Interface
4. Exploring eBook Recommendations from Genie Hb6024b Manual
  - Personalized Recommendations
  - Genie Hb6024b Manual User Reviews and Ratings
  - Genie Hb6024b Manual and Bestseller Lists
5. Accessing Genie Hb6024b Manual Free and Paid eBooks

- Genie Hb6024b Manual Public Domain eBooks
  - Genie Hb6024b Manual eBook Subscription Services
  - Genie Hb6024b Manual Budget-Friendly Options
6. Navigating Genie Hb6024b Manual eBook Formats
    - ePub, PDF, MOBI, and More
    - Genie Hb6024b Manual Compatibility with Devices
    - Genie Hb6024b Manual Enhanced eBook Features
  7. Enhancing Your Reading Experience
    - Adjustable Fonts and Text Sizes of Genie Hb6024b Manual
    - Highlighting and Note-Taking Genie Hb6024b Manual
    - Interactive Elements Genie Hb6024b Manual
  8. Staying Engaged with Genie Hb6024b Manual
    - Joining Online Reading Communities
    - Participating in Virtual Book Clubs
    - Following Authors and Publishers Genie Hb6024b Manual
  9. Balancing eBooks and Physical Books Genie Hb6024b Manual
    - Benefits of a Digital Library
    - Creating a Diverse Reading Collection Genie Hb6024b Manual
  10. Overcoming Reading Challenges
    - Dealing with Digital Eye Strain
    - Minimizing Distractions
    - Managing Screen Time
  11. Cultivating a Reading Routine Genie Hb6024b Manual
    - Setting Reading Goals Genie Hb6024b Manual
    - Carving Out Dedicated Reading Time
  12. Sourcing Reliable Information of Genie Hb6024b Manual
    - Fact-Checking eBook Content of Genie Hb6024b Manual
    - Distinguishing Credible Sources
  13. Promoting Lifelong Learning
    - Utilizing eBooks for Skill Development

- Exploring Educational eBooks
14. Embracing eBook Trends
- Integration of Multimedia Elements
  - Interactive and Gamified eBooks

## **Genie Hb6024b Manual Introduction**

In this digital age, the convenience of accessing information at our fingertips has become a necessity. Whether its research papers, eBooks, or user manuals, PDF files have become the preferred format for sharing and reading documents. However, the cost associated with purchasing PDF files can sometimes be a barrier for many individuals and organizations. Thankfully, there are numerous websites and platforms that allow users to download free PDF files legally. In this article, we will explore some of the best platforms to download free PDFs. One of the most popular platforms to download free PDF files is Project Gutenberg. This online library offers over 60,000 free eBooks that are in the public domain. From classic literature to historical documents, Project Gutenberg provides a wide range of PDF files that can be downloaded and enjoyed on various devices. The website is user-friendly and allows users to search for specific titles or browse through different categories. Another reliable platform for downloading Genie Hb6024b Manual free PDF files is Open Library. With its vast collection of over 1 million eBooks, Open Library has something for every reader. The website offers a seamless experience by providing options to borrow or download PDF files. Users simply need to create a free account to access this treasure trove of knowledge. Open Library also allows users to contribute by uploading and sharing their own PDF files, making it a collaborative platform for book enthusiasts. For those interested in academic resources, there are websites dedicated to providing free PDFs of research papers and scientific articles. One such website is Academia.edu, which allows researchers and scholars to share their work with a global audience. Users can download PDF files of research papers, theses, and dissertations covering a wide range of subjects. Academia.edu also provides a platform for discussions and networking within the academic community. When it comes to downloading Genie Hb6024b Manual free PDF files of magazines, brochures, and catalogs, Issuu is a popular choice. This digital publishing platform hosts a vast collection of publications from around the world. Users can search for specific titles or explore various categories and genres. Issuu offers a seamless reading experience with its user-friendly interface and allows users to download PDF files for offline reading. Apart from dedicated platforms, search engines also play a crucial role in finding free PDF files. Google, for instance, has an advanced search feature that allows users to filter results by file type. By specifying the file type as "PDF," users can find websites that offer free PDF downloads on a specific topic. While downloading Genie Hb6024b Manual free PDF files is convenient, its important to note that copyright laws must be respected. Always ensure that the PDF files you download are legally available for free.

Many authors and publishers voluntarily provide free PDF versions of their work, but its essential to be cautious and verify the authenticity of the source before downloading Genie Hb6024b Manual. In conclusion, the internet offers numerous platforms and websites that allow users to download free PDF files legally. Whether its classic literature, research papers, or magazines, there is something for everyone. The platforms mentioned in this article, such as Project Gutenberg, Open Library, Academia.edu, and Issuu, provide access to a vast collection of PDF files. However, users should always be cautious and verify the legality of the source before downloading Genie Hb6024b Manual any PDF files. With these platforms, the world of PDF downloads is just a click away.

### **FAQs About Genie Hb6024b Manual Books**

1. Where can I buy Genie Hb6024b Manual books? Bookstores: Physical bookstores like Barnes & Noble, Waterstones, and independent local stores. Online Retailers: Amazon, Book Depository, and various online bookstores offer a wide range of books in physical and digital formats.
2. What are the different book formats available? Hardcover: Sturdy and durable, usually more expensive. Paperback: Cheaper, lighter, and more portable than hardcovers. E-books: Digital books available for e-readers like Kindle or software like Apple Books, Kindle, and Google Play Books.
3. How do I choose a Genie Hb6024b Manual book to read? Genres: Consider the genre you enjoy (fiction, non-fiction, mystery, sci-fi, etc.). Recommendations: Ask friends, join book clubs, or explore online reviews and recommendations. Author: If you like a particular author, you might enjoy more of their work.
4. How do I take care of Genie Hb6024b Manual books? Storage: Keep them away from direct sunlight and in a dry environment. Handling: Avoid folding pages, use bookmarks, and handle them with clean hands. Cleaning: Gently dust the covers and pages occasionally.
5. Can I borrow books without buying them? Public Libraries: Local libraries offer a wide range of books for borrowing. Book Swaps: Community book exchanges or online platforms where people exchange books.
6. How can I track my reading progress or manage my book collection? Book Tracking Apps: Goodreads, LibraryThing, and Book Catalogue are popular apps for tracking your reading progress and managing book collections. Spreadsheets: You can create your own spreadsheet to track books read, ratings, and other details.
7. What are Genie Hb6024b Manual audiobooks, and where can I find them? Audiobooks: Audio recordings of books, perfect for listening while commuting or multitasking. Platforms: Audible, LibriVox, and Google Play Books offer a wide

- selection of audiobooks.
8. How do I support authors or the book industry? Buy Books: Purchase books from authors or independent bookstores. Reviews: Leave reviews on platforms like Goodreads or Amazon. Promotion: Share your favorite books on social media or recommend them to friends.
  9. Are there book clubs or reading communities I can join? Local Clubs: Check for local book clubs in libraries or community centers. Online Communities: Platforms like Goodreads have virtual book clubs and discussion groups.
  10. Can I read Genie Hb6024b Manual books for free? Public Domain Books: Many classic books are available for free as they're in the public domain. Free E-books: Some websites offer free e-books legally, like Project Gutenberg or Open Library.

### **Find Genie Hb6024b Manual :**

*janes infantry weapons 1992-93. eighteenth edition*

**jane fonda all american anti - heroine**

**janes high-speed marine craft. twenty-seventh edition 1994-95**

*jarhead 1st edition-signed*

**jar and bottle craft.**

*jane austins heroes*

*jan. 3 1887-june 30 1887 lists of passengers arriving at u. s. ports*

**japan by rail includes rail route guide and 29 city guides**

**jane netley mayhews cross stitch animal collection**

*jardin de bessey la desordenada*

japan restleb competitor the pursuit of economic nationalism

**jane netley mayhew cross stitch flowers**

**japans emergence as a global power**

~~japan and korea the political dimension publication ser. no. 318~~

*janes chem-bio handbook*

### **Genie Hb6024b Manual :**

**does anyone know what the answers are for e2020 final exam spanish 1 - Feb 17 2023**



web may 9 2023 answer try this it might help explanation spanish 1 final exam 2020 created by senoraditty

**spanish 1 final exam semester 1 flashcards quizlet** - Jun 21 2023

web a daniel le gustan los dinosaurios daniel likes dinosaurs Él dice me gustan los dinosaurios porque los dinosaurios son enormes he says i like dinosaurs because dinosaurs are enormous esta muchacha se llama sam this girl's name is sam sam es alta y responsable sam is tall and responsible

**chapter answers for e2020 spanish 1 mareybook blogspot com** - Apr 19 2023

web jun 21 2020 this chapter answers for e2020 spanish 1 pdf file start following intro brief outing until the index glossary page see at the table of content for additional information if provided it's going to discuss primarily something like the past mentioned topic in conjunction with much more instruction connected to it as per our directory this

*e2020 spanish 1 answer keys virtualevents straumann com* - Jun 09 2022

web sep 16 2023 title e2020 spanish 1 answer keys author virtualevents straumann com 2023 09 16 15 54 17 subject e2020 spanish 1 answer keys keywords e2020 spanish 1 answer keys

**e2020 spanish 1 answer keys zapmap nissan co** - Apr 07 2022

web 2 e2020 spanish 1 answer keys 2022 07 03 oppression with deadly precision enrique s journey courier corporation documents the journey of a honduran teen who braved hardship and peril to reunite with his mother after she was forced to leave him behind and seek migratory work in the united states

download e2020 spanish answers joseph minks - Mar 18 2023

web nov 7 2020 learn e spanish with free interactive flashcards choose from different sets of e spanish flashcards on quizlet e spanish 1 answer keys is available in our digital library an online access to it is set as public so you can download it instantly e spanish 1 answer keys pdf test1 ru e spanish 1 vocab flashcards quizlet

edgenuity answer key r edgenuity reddit - Jul 22 2023

web edgenuity answer key dm is preferable i'm remaking this so it'll be more coherent i've been adding the answer key to my world history and biology course i made this because i was having to do all the research and i would've loved it if someone had already done this so now that it's made i hope it helps a lot of people to get work done

**e2020 spanish flashcards and study sets quizlet** - Sep 24 2023

web learn e2020 spanish with free interactive flashcards choose from 5 000 different sets of e2020 spanish flashcards on quizlet

**e2020 spanish 1 answer keys pdf copy gcc a eu** - Oct 13 2022

web apr 5 2023 connections if you intend to download and install the e2020 spanish 1 answer keys pdf it is no question simple then before currently we extend the associate to purchase and create bargains to download and install e2020 spanish

1 answer keys pdf fittingly simple discover debate michael h lubetsky 2007

*e2020 answers florida virtual school blogger* - Sep 12 2022

web feb 26 2015 e2020 answers are acquired through an external online repository of questions updated frequently this is the only way to get e2020 answers using a program version 2 1 update features auto pilot automatically goes through an entire e2020 course and fills in e2020 answers including direct instructions quizzes reviews

**e2020 spanish 1 vocab flashcards quizlet** - Aug 23 2023

web buenos días good day nos vemos see you later qué hay what s happening hola hello cómo estás how are you bien good y tú and you buenas noches

*e2020 spanish 1 answer keys online kptm edu my* - Mar 06 2022

web title e2020 spanish 1 answer keys author online kptm edu my 2023 09 14 06 28 22 subject e2020 spanish 1 answer keys keywords e2020 spanish 1 answer keys

*yds yabancı dil bilgisi seviye tespit sınavı osym gov tr* - Jan 16 2023

web duyuru 12 temmuz 2020 12 temmuz 2020 tarihinde yapılan değerlendirme işlemleri tamamlanmıştır sınav sonuçları 12 temmuz 2020 tarihinde saat 18 20 de Ösym nin sonuc osym gov tr internet adresinden açıklandı adaylar sınav sonuçlarını belirtilen internet adresinden t c kimlik numaraları ve şifreleri ile öğrenebileceklerdir

**e2020 spanish 1 answers help discoveram** - Feb 05 2022

web may 27 2023 e2020 spanish 1 answers is at hand in our text gathering an online access to it is set as public so you can get it instantly we pay off for you this fitting as skillfully as basic arrogance to obtain those all

**edgenuity answer keys for spanish 1 secure4 khronos** - Aug 11 2022

web may 31 2023 e2020 spanish 2 answer key amy girbia loading edgenuity what is my grade spanish 1 speaking final read and download edgenuity answer keys for spanish 1 free ebooks in pdf format rendezvous with rama 1 arthur c clarke new nations emerge pearson quiz

*e2020 spanish 1 answers copy* - Jul 10 2022

web jul 8 2023 1 e2020 spanish 1 answers recognizing the pretentiousness ways to get this ebook e2020 spanish 1 answers is additionally useful you have remained in right site to begin getting this info get the e2020 spanish 1 answers member that we offer here and check out the link you could buy guide e2020 spanish 1 answers or acquire it as soon

*download solutions e2020 spanish 1 answer keys* - Dec 15 2022

web 1 e2020 spanish 1 answer keys spanish grades 1 3 jan 09 2023 learn about spanish helps your child practice fundamental beginner level spanish vocabulary the activities in this workbook include counting numbers 0 20 reading sentences and action words identifying colors body parts family and places and writing spanish words

**span2360 edgenuity answers spanish 2 pdf course hero** - May 20 2023

web filesize 541 kb language english published june 26 2016 viewed 4 875 times e2020 spanish 1 semester 2 final answers booklection com other results edgenuity english 3 semester 2 answers pdf slideblast answers for edgenuity english 2 com download edgenuity english 3 semester 2 answers pdf best of all they are entirely

**answers for e2020 spanish 1 pdf ebook fromusawithlove ru** - May 08 2022

web choose from 500 different sets of flashcards about e2020 spanish 1 on quizlet 1 answer re e2020 trigonometric quiz the first decision is a choice between  $y = \cos b x h k$  and  $y = \sin b x h k$  starting at the green point which general pattern add your answer tips for a great answer answer the question

*e2020 semester 2 spanish 2 exam words flashcards quizlet* - Nov 14 2022

web usos de por the object or goal of action because of on behalf of to fetch por exchange duration of time motion manners or means usos de para in order to para the purpose of doing something comparison time or date destination as a place or recipient astrasada

**buelens et al organizational behaviour web1 kdhx** - Jun 22 2022

web organisational behaviour by sinding buelens waldstrom and a great selection of related books art and collectibles available now at abebooks co uk

**organisational behaviour by marc buelens open library** - Jul 04 2023

web apr 7 2011 organisational behaviour edit the authors approach to organizational behaviour is based on their belief that reading a comprehensive textbook is hard work

*organisational behaviour amazon co uk buelens* - Jun 03 2023

web mar 16 2011 now in its fourth edition this established european text by marc buelens knud sinding and christianwaldstrøm offers students a complete account of

*Örgütsel davranış organizational behavior e kitapyeri* - Apr 20 2022

web robert kreitner angelo kinicki mcgraw hill 2007 organizational behavior organizational behavior seventh edition continues in its tradition of being up to date

organisational behaviour mcgraw hill education - Oct 15 2021

*organisational behaviour buelens marc van der boeck* - Aug 25 2022

web organisational behaviour by buelens marc van der boeck herman vanderheyden karlien at abebooks co uk isbn 10 0077107233 isbn 13 9780077107239 mcgraw

**organisational behaviour marc buelens 9780077107239** - Nov 27 2022

web apa kreitner r kinicki a buelens m n d organizational behaviour first european edition mcgraw hill 1999 pp 632 chicago  
author date kreitner r a

**organisational behaviour by marc buelens open library** - Feb 28 2023

web jul 4 2007 organisational behaviour by marc buelens herman van der boeck and karlien vanderheyden 0 ratings 5 want  
to read 2 currently reading 0 have read

organizational behaviour first european edition ghent - Sep 25 2022

web aug 16 2005 organisational behaviour 3e continues to offer a comprehensive introduction to the theories of  
organisational behaviour within a contemporary

9780077107239 organisational behaviour abebooks - Jul 24 2022

web organisational behaviour prentice hall a productive society is dependent upon high performing government this third  
edition of the public performance and productivity

**organizational behavior nedir** - Dec 17 2021

web nov 8 2023 1 introduction predators directly and indirectly alter the foraging behaviour of their prey through direct  
predation consumptive effects or the fear of predation non

*organisational behaviour marc buelens google books* - Oct 07 2023

web marc buelens mcgraw hill higher education 2011 organizational behavior 776 pages now in its fourth edition this  
established european text by marc buelens knud sinding and christian

**organisational behaviour mcgraw hill education** - Apr 01 2023

web kreitner kinicki and buelens organisational behaviour second european edition offers a coherent and comprehensive  
introduction to theories of organisational behaviour ob

**organizational behavior genel özet pdf slideshare** - Feb 16 2022

web 05 kasım 2018 organizasyonel beceriler bireylerin düşüncelerini zamanını ve görevlerini düzenli bir şekilde  
düzenlemelerini sağlayan bir beceri setidir bu çok önemli sosyal

wolves alter the trajectory of forests by shaping the central place - Nov 15 2021

web this is the online learning centre for organisational behaviour fourth edition by marc buelens knud sinding and christian  
waldstrom published by mcgraw hill education

*organizasyonel beceriler nelerdir iienstitu* - Jan 18 2022

web organizational behavior nedir organizational behavior ne demek organizational behavior örnekleri organizational  
behavior slayt

**organisational behaviour marc buelens** - Jan 30 2023

web organisational behaviour marc buelens knud sinding christian waldstrøm e a isbn 9780077129989 author buelens marc ugent biblio viaf kinicki angelo viaf kreitner

**organisational behaviour ghent university library** - Dec 29 2022

web the 3rd edition now adopts a more traditional 4 part structure foundations of organisational behaviour individual processes group and social processes

**organizational behavior robert kreitner angelo kinicki** - Mar 20 2022

web may 1 2017 organizational behavior genel özet download as a pdf or view online for free organizational behavior genel özet download as a pdf or view online for free

organizational behaviour first european edition mcgraw hill - Oct 27 2022

web details citing for librarians for developers permalink lib ugent be catalog rug01 000455633 title organizational behaviour first

*organisational behaviour buelens marc free download* - Aug 05 2023

web english xix 724 pages 26 cm the authors approach to organizational behaviour is based on their belief that reading a comprehensive textbook is hard work but that the

organisational behaviour by marc buelens goodreads - May 02 2023

web aug 1 2005 7 ratings0 reviews now in its fourth edition this established european text by marc buelens knud sinding and christian waldstrom offers students a complete

**organisational behaviour by buelens abebooks** - May 22 2022

web jan 7 2021 Örgütsel davranış organizational behavior yayını türkçedir Örgütsel davranış organizational behavior kitabını ekitapyeri com dan pdf epub veya rar

**organisational behaviour mcgraw hill education** - Sep 06 2023

web this is the online learning centre for organisational behaviour fourth edition by marc buelens knud sinding and christian waldstrom published by mcgraw hill education

**rückkehr der engel angelussaga amazon de** - Apr 07 2023

web ich kann dir nicht helfen flüstere ich wenn die männer uns entdecken werden sie mich töten und den engel bei lebendigem leib rupfen stöhnend dreht er sich auf die seite

ruckkehr der engel angelussaga 1 nice slideshare - Mar 26 2022

web detail book title ruckkehr der engel angelussaga 1 format pdf kindle epub language english asin b07hcll4f6 paperback 266 pages product dimensions 7

*rückkehr der engel die angelussaga bd 1 weltbild* - Dec 23 2021

web ruckkehr der engel die angelussaga bd 1 von marah woolf im weltbild bücher shop versandkostenfrei kaufen reinklicken und zudem bücher highlights entdecken

[ruckkehr der engel angelussaga 1 2023 vps huratips](#) - Apr 26 2022

web ruckkehr der engel angelussaga 1 1 ruckkehr der engel angelussaga 1 grace and fury the darkest star nevernight obsidian the language of thorns furies of calderon

[ruckkehr der engel angelussaga 1](#) - Jun 09 2023

web 1 ruckkehr der engel angelussaga 1 as recognized adventure as well as experience more or less lesson amusement as capably as harmony can be gotten by just checking

[ruckkehr der engel angelussaga 1 by marah woolf goodreads](#) - Aug 11 2023

web oct 1 2018 read 162 reviews from the world s largest community for readers eine welt in der nichts mehr ist wie es einmal war eine zeit in der legenden wirklichk

**rückkehr der engel angelussaga 1 german edition** - Sep 12 2023

web oct 1 2018 mit ruckkehr der engel dem ersten band der angelussaga entführte mich marah woolf in ein dystopisches venedig indem die gesetze der welt nur noch eine

[ruckkehr der engel die angelussaga 1 uniport edu](#) - May 28 2022

web ruckkehr der engel die angelussaga 1 but end up in infectious downloads rather than reading a good book with a cup of tea in the afternoon instead they juggled with some

[ruckkehr der engel die angelussaga bd 1 buch weltbild](#) - Feb 05 2023

web bücher bei weltbild jetzt ruckkehr der engel die angelussaga bd 1 von marah woolf versandkostenfrei online kaufen bei weltbild ihrem bücher spezialisten

[ruckkehr der engel die angelussaga 1 pdf](#) - Dec 03 2022

web 1 ruckkehr der engel die angelussaga 1 this is likewise one of the factors by obtaining the soft documents of this ruckkehr der engel die angelussaga 1 by online you

**ruckkehr der engel angelussaga 1** - Jan 04 2023

web speedily download this ruckkehr der engel angelussaga 1 after getting deal so bearing in mind you require the ebook swiftly you can straight acquire it its suitably utterly

[stream pdf download ruckkehr der engel angelussaga 1](#) - Aug 31 2022

web jun 25 2023 stream pdf download ruckkehr der engel angelussaga 1 german edition full online by po l g35050 on desktop and mobile play over 320 million tracks

**ruckkehr der engel die angelussaga 1 pdf ws 1 ps2pdf** - Jun 28 2022

web ruckkehr der engel die angelussaga 1 3 3 used to be she has gained power as a witch and a leader found her way home chosen to face battle again and after losing her

**ruckkehr der engel die angelussaga 1 pdf blueskywildlife** - Feb 22 2022

web aug 8 2023 adjacent to the proclamation as without difficulty as keenness of this ruckkehr der engel die angelussaga 1 pdf can be taken as skillfully as picked to act

*rückkehr der engel angelussaga 1 german edition kindle* - Mar 06 2023

web rückkehr der engel angelussaga 1 german edition ebook woolf marah liepins carolin amazon in kindle store

[ruckkehr der engel angelussaga 1](#) - Jul 30 2022

web 1 ruckkehr der engel angelussaga 1 this is likewise one of the factors by obtaining the soft documents of this ruckkehr der engel angelussaga 1 by online you might not

**ruckkehr der engel angelussaga 1** - Oct 01 2022

web ruckkehr der engel angelussaga 1 3 3 shadows the breed faces enemies on both sides human and vampire alike no one knows that better than lazaro archer one of

**rückkehr der engel angelussaga 1 kindle edition amazon de** - Oct 13 2023

web audiobook 0 00 free with audible trial eine welt in der nichts mehr ist wie es einmal war eine zeit in der legenden wirklichkeit sind ein geheimnis das nicht offenbart werden

**ruckkehr der engel die angelussaga 1 book** - Nov 02 2022

web 1 ruckkehr der engel die angelussaga 1 it s in his kiss the 2nd epilogue may 30 2021 what happened to the diamonds if you ve read it s in his kiss you want to know

**rückkehr der engel die angelussaga 1 von marah woolf** - Jan 24 2022

web eine welt in der nichts mehr ist wie es einmal war eine zeit in der legenden wirklichkeit sind ein geheimnis das nie offenbart werden darf im venedig der zukunft besetzt von

**rückkehr der engel die angelussaga 1 perfect paperback** - May 08 2023

web rückkehr der engel die angelussaga 1 on amazon com au free shipping on eligible orders rückkehr der engel die angelussaga 1

**buchrezension angelussaga 1 rückkehr der engel youtube** - Jul 10 2023

web mar 13 2021 angelussaga 1 rückkehr der engel marah woolf5 5 sterne link zum buch amzn to 3l3gtcnim venedig der zukunft besetzt von den erzengeln und deren