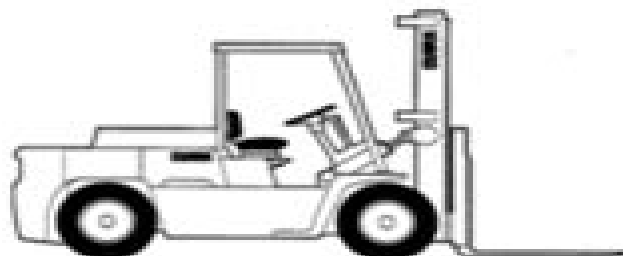


Service Manual

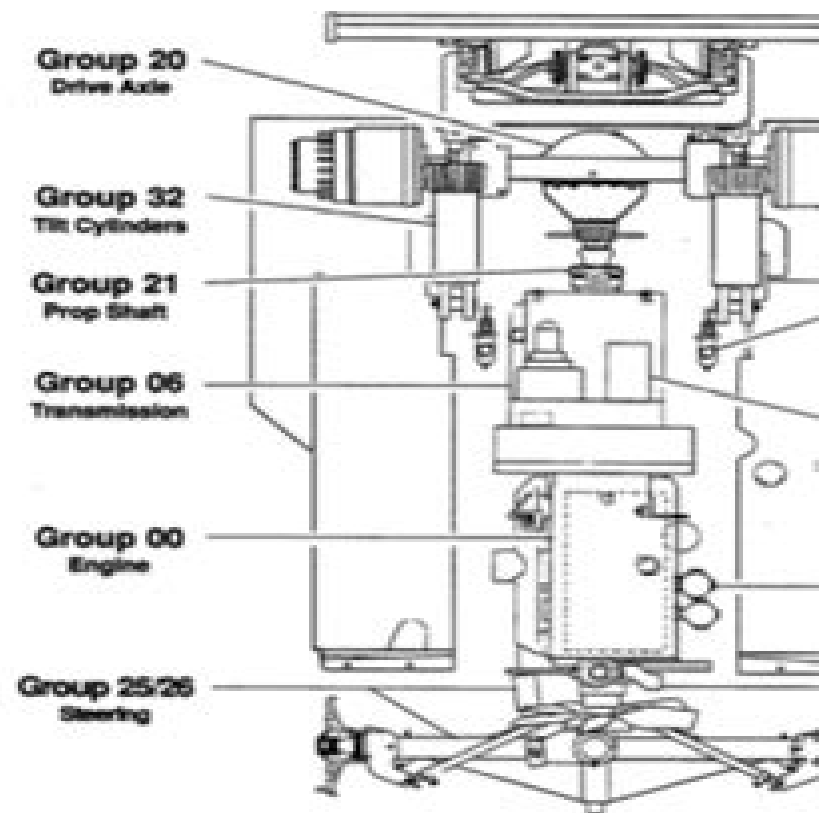
SM 591



GPH/DPH 50/60/70/75

CLARK Material Handling Company

Pictorial Group Index



Using the Pictorial Group Index and Table

Clark arranges parts and service procedures by standardized Groups. Most of the Groups are represented above. All Groups are listed in the Table of Contents beginning on the next page. The group number and section number listed in the Table of

Contents combine to identify that is print page. For example, "11 indicates Group 00, 1

CLARK Technical Publications Leasing, KY 40527-1640

Manual Gpx 75

RC Schank



Manual Gpx 75:

This is likewise one of the factors by obtaining the soft documents of this **Manual Gpx 75** by online. You might not require more times to spend to go to the book creation as skillfully as search for them. In some cases, you likewise do not discover the proclamation Manual Gpx 75 that you are looking for. It will unconditionally squander the time.

However below, similar to you visit this web page, it will be as a result agreed easy to acquire as without difficulty as download lead Manual Gpx 75

It will not take many epoch as we run by before. You can accomplish it even though acquit yourself something else at house and even in your workplace. so easy! So, are you question? Just exercise just what we provide under as with ease as evaluation **Manual Gpx 75** what you later than to read!

<https://staging.conocer.cide.edu/About/Resources/HomePages/giordano%20bruno%20et%20la%20tradition%20hermatique.pdf>

Table of Contents Manual Gpx 75

1. Understanding the eBook Manual Gpx 75
 - The Rise of Digital Reading Manual Gpx 75
 - Advantages of eBooks Over Traditional Books
2. Identifying Manual Gpx 75
 - Exploring Different Genres
 - Considering Fiction vs. Non-Fiction
 - Determining Your Reading Goals
3. Choosing the Right eBook Platform
 - Popular eBook Platforms
 - Features to Look for in an Manual Gpx 75
 - User-Friendly Interface
4. Exploring eBook Recommendations from Manual Gpx 75

- Personalized Recommendations
 - Manual Gpx 75 User Reviews and Ratings
 - Manual Gpx 75 and Bestseller Lists
5. Accessing Manual Gpx 75 Free and Paid eBooks
 - Manual Gpx 75 Public Domain eBooks
 - Manual Gpx 75 eBook Subscription Services
 - Manual Gpx 75 Budget-Friendly Options
 6. Navigating Manual Gpx 75 eBook Formats
 - ePub, PDF, MOBI, and More
 - Manual Gpx 75 Compatibility with Devices
 - Manual Gpx 75 Enhanced eBook Features
 7. Enhancing Your Reading Experience
 - Adjustable Fonts and Text Sizes of Manual Gpx 75
 - Highlighting and Note-Taking Manual Gpx 75
 - Interactive Elements Manual Gpx 75
 8. Staying Engaged with Manual Gpx 75
 - Joining Online Reading Communities
 - Participating in Virtual Book Clubs
 - Following Authors and Publishers Manual Gpx 75
 9. Balancing eBooks and Physical Books Manual Gpx 75
 - Benefits of a Digital Library
 - Creating a Diverse Reading Collection Manual Gpx 75
 10. Overcoming Reading Challenges
 - Dealing with Digital Eye Strain
 - Minimizing Distractions
 - Managing Screen Time
 11. Cultivating a Reading Routine Manual Gpx 75
 - Setting Reading Goals Manual Gpx 75
 - Carving Out Dedicated Reading Time
 12. Sourcing Reliable Information of Manual Gpx 75

- Fact-Checking eBook Content of Manual Gpx 75
 - Distinguishing Credible Sources
13. Promoting Lifelong Learning
- Utilizing eBooks for Skill Development
 - Exploring Educational eBooks
14. Embracing eBook Trends
- Integration of Multimedia Elements
 - Interactive and Gamified eBooks

Manual Gpx 75 Introduction

Manual Gpx 75 Offers over 60,000 free eBooks, including many classics that are in the public domain. Open Library: Provides access to over 1 million free eBooks, including classic literature and contemporary works. Manual Gpx 75 Offers a vast collection of books, some of which are available for free as PDF downloads, particularly older books in the public domain. Manual Gpx 75 : This website hosts a vast collection of scientific articles, books, and textbooks. While it operates in a legal gray area due to copyright issues, its a popular resource for finding various publications. Internet Archive for Manual Gpx 75 : Has an extensive collection of digital content, including books, articles, videos, and more. It has a massive library of free downloadable books. Free-eBooks Manual Gpx 75 Offers a diverse range of free eBooks across various genres. Manual Gpx 75 Focuses mainly on educational books, textbooks, and business books. It offers free PDF downloads for educational purposes. Manual Gpx 75 Provides a large selection of free eBooks in different genres, which are available for download in various formats, including PDF. Finding specific Manual Gpx 75, especially related to Manual Gpx 75, might be challenging as theyre often artistic creations rather than practical blueprints. However, you can explore the following steps to search for or create your own Online Searches: Look for websites, forums, or blogs dedicated to Manual Gpx 75, Sometimes enthusiasts share their designs or concepts in PDF format. Books and Magazines Some Manual Gpx 75 books or magazines might include. Look for these in online stores or libraries. Remember that while Manual Gpx 75, sharing copyrighted material without permission is not legal. Always ensure youre either creating your own or obtaining them from legitimate sources that allow sharing and downloading. Library Check if your local library offers eBook lending services. Many libraries have digital catalogs where you can borrow Manual Gpx 75 eBooks for free, including popular titles. Online Retailers: Websites like Amazon, Google Books, or Apple Books often sell eBooks. Sometimes, authors or publishers offer promotions or free periods for certain books. Authors Website Occasionally, authors provide excerpts or short stories for free on their websites. While this might not be the Manual Gpx 75 full book , it can give you a taste of the authors writing style. Subscription Services

Platforms like Kindle Unlimited or Scribd offer subscription-based access to a wide range of Manual Gpx 75 eBooks, including some popular titles.

FAQs About Manual Gpx 75 Books

What is a Manual Gpx 75 PDF? A PDF (Portable Document Format) is a file format developed by Adobe that preserves the layout and formatting of a document, regardless of the software, hardware, or operating system used to view or print it. **How do I create a Manual Gpx 75 PDF?** There are several ways to create a PDF: Use software like Adobe Acrobat, Microsoft Word, or Google Docs, which often have built-in PDF creation tools. Print to PDF: Many applications and operating systems have a "Print to PDF" option that allows you to save a document as a PDF file instead of printing it on paper. Online converters: There are various online tools that can convert different file types to PDF. **How do I edit a Manual Gpx 75 PDF?** Editing a PDF can be done with software like Adobe Acrobat, which allows direct editing of text, images, and other elements within the PDF. Some free tools, like PDFescape or Smallpdf, also offer basic editing capabilities. **How do I convert a Manual Gpx 75 PDF to another file format?** There are multiple ways to convert a PDF to another format: Use online converters like Smallpdf, Zamzar, or Adobe Acrobats export feature to convert PDFs to formats like Word, Excel, JPEG, etc. Software like Adobe Acrobat, Microsoft Word, or other PDF editors may have options to export or save PDFs in different formats. **How do I password-protect a Manual Gpx 75 PDF?** Most PDF editing software allows you to add password protection. In Adobe Acrobat, for instance, you can go to "File" -> "Properties" -> "Security" to set a password to restrict access or editing capabilities. Are there any free alternatives to Adobe Acrobat for working with PDFs? Yes, there are many free alternatives for working with PDFs, such as: LibreOffice: Offers PDF editing features. PDFsam: Allows splitting, merging, and editing PDFs. Foxit Reader: Provides basic PDF viewing and editing capabilities. How do I compress a PDF file? You can use online tools like Smallpdf, ILovePDF, or desktop software like Adobe Acrobat to compress PDF files without significant quality loss. Compression reduces the file size, making it easier to share and download. Can I fill out forms in a PDF file? Yes, most PDF viewers/editors like Adobe Acrobat, Preview (on Mac), or various online tools allow you to fill out forms in PDF files by selecting text fields and entering information. Are there any restrictions when working with PDFs? Some PDFs might have restrictions set by their creator, such as password protection, editing restrictions, or print restrictions. Breaking these restrictions might require specific software or tools, which may or may not be legal depending on the circumstances and local laws.

Find Manual Gpx 75 :

~~giordano bruno et la tradition hermatique~~

gift of gab

ghost in the blue velvet dress

gilligans island wrongway feldman/president gil

gift of sarah barker

ghosts and legends of newark

gin rummy mms and peanuts how i spent squandered 2000 monday nights

gift of mischief harlequin romance ser. no. 786

giraffes the sentinels of the savannas**gilcrease-hargrett catalogue of imprints****gils quest a mesopotamian tale****ghost from grand banks -os**

gingerbread tree the gingerbread man and me

ghmily 18c mixed display

ginger kittens surprise

Manual Gpx 75 :

moving object tracking using matlab youtube - Dec 27 2021

web jun 21 2018 this project is developed for many surveillance applications for detecting the moving object we used

matlab code to develop this project we see many proje

moving object detection papers with code - Nov 06 2022

web fmodetect robust detection of fast moving objects compared to other methods such as deblatting the inference is of several orders of magnitude faster and allows applications such as real time fast moving object detection and retrieval in large video collections

moving object detection in matlab matlab answers matlab - Mar 30 2022

web oct 21 2014 moving object detection in matlab follow 6 views last 30 days show older comments mohd nayeem on 21

oct 2014 vote 0 link commented besly thomas on 26 mar 2015 i hav run this code in matlab 2013a and detected the moving object the problem is i am not able to obtained the background sequence without object

tracking moving object file exchange matlab central - Apr 11 2023

web mar 22 2011 tracking moving object this code tracks the moving object in real time applicable for real time applications this code actually tracks the slightest change in motion the concept behind this algo was normalized cross correlation

track objects using gnn assignment matlab mathworks - Jun 01 2022

web create a sequence of detections of a moving object track the detections using a multiobjecttracker system object observe how the tracks switch from tentative to confirmed and then to deleted create a multi object tracker using the initcakf filter initialization function the tracker models 2 d constant acceleration motion

matlab object detection and tracking stack overflow - Jul 02 2022

web oct 25 2015 i m doing a research project on object detection using my a digital camera some suggestion on how to build and program the matlab code in particular i have a picture of one object say a screen of my laptop than i rotate the laptop and i

image detection and tracking on a video using matlab - Jan 28 2022

web may 20 2014 the objective is to plot a red point in the center of moving rectangle part of the pendulum and to plot a line along the black stick calculating its angle for every frame i have handled the video frame by frame then i have used object detection in a cluttered scene using point feature matching

isabelleysseric moving object tracking github - Feb 09 2023

web create a moving object detection and tracking program using matlab moving object tracking github moving object tracking wiki isabelleysseric github isabelleysseric com portfolio isabelle eysseric linkedin introduction mise en œuvre d un algorithme de suivi d objets en mouvements selon l approche de filtres de particules

object detection matlab simulink mathworks - Mar 10 2023

web perform classification object detection transfer learning using convolutional neural networks cnns or convnets create customized detectors object detection is a computer vision technique for locating instances of objects in images or videos object detection algorithms typically leverage machine learning or deep learning to produce

matlab code for object detection and tracking from video - Aug 03 2022

web sep 12 2014 matlab code for object detection and tracking from video matlab answers matlab central matlab code for object detection and tracking from video follow 37 views last 30 days show older comments prajakta on 12 sep 2014 0 commented image analyst on 5 aug 2020

how to track a moving object in a live camera matlab answers matlab - Jan 08 2023

web jan 19 2014 how to track a moving object in a live camera learn more about object tracking computer vision toolbox i

use matlab code to turn on the camera it should track the moving object 2 persons are walking how to track it i use 2012a version

motion based object detection and tracking in matlab - May 12 2023

web jan 29 2021 presented here is a simple guide in plain language for understanding and implementing matlab s motion based multiple object tracking algorithm so that you can detect and track moving objects in your own videos the algorithm is tested on a video where a scenario was staged and recorded from a hovering drone

multiple object tracking matlab simulink mathworks - Feb 26 2022

web multiple object tracking tracking is the process of locating a moving object or multiple objects over time in a video stream unlike object detection which is the process of locating an object of interest in a single frame tracking associates detections of an object across multiple frames

zhouyifan233 movingobjdetector wami matlab github - Oct 05 2022

web moving object detection in wide area motion imagery matlab version moving object detection vehicles for wami images this code is the implementation for our paper detecting and tracking small moving objects in wide area motion imagery wami using convolutional neural networks cnns which has been accepted in 22nd

computer vision with matlab for object detection and tracking - Dec 07 2022

web jan 29 2013 track single objects with the kanade lucas tomasi klt point tracking algorithm perform kalman filtering to predict the location of a moving object implement a motion based multiple object tracking system this webinar assumes some experience with matlab and image processing toolbox we will focus on the computer vision

motion based multiple object tracking matlab simulink - Aug 15 2023

web the problem of motion based object tracking can be divided into two parts detecting moving objects in each frame associating the detections corresponding to the same object over time the detection of moving objects uses a background subtraction algorithm based on gaussian mixture models

tracking and motion estimation matlab simulink mathworks - Jul 14 2023

web this toolbox includes motion estimation algorithms such as optical flow block matching and template matching these algorithms create motion vectors which can relate to the whole image blocks arbitrary patches or individual pixels

detecting and tracking moving objects matlab answers - Apr 30 2022

web jul 10 2015 answers 1 there are many different ways to detect and track moving objects kalman filter does assume either a constant velocity or a constant acceleration motion model however it also assumes system noise which is a way to account for the fact that the actual motion of an object does not exactly fit your model

detection and tracking matlab simulink mathworks - Sep 04 2022

web object tracking consists of assigning a unique id to detected objects and tracking their movement across point cloud frames lidar toolbox includes detection and tracking workflows for vehicles road lanes and curbs

[multiple object tracking tutorial matlab simulink mathworks](#) - Jun 13 2023

web moving object detection and motion based tracking are important components of automated driver assistance systems such as adaptive cruise control automatic emergency braking and autonomous driving you can divide motion based object tracking into two parts detecting moving objects in each frame tracking the moving objects from

amazon com au customer reviews gurrido gunslinger carnet de run pour - Dec 23 2022

web find helpful customer reviews and review ratings for gurrido gunslinger carnet de run pour gridrunners version saeru co at amazon com read honest and unbiased product reviews from our users

[gun runners wikipedia](#) - Apr 14 2022

web gun runners gun runners is a 2016 national film board of canada documentary film directed by anjali nayar about two former kenyan tribal warriors and cattle thieves in an amnesty program who traded in their guns to become marathon runners the film s origins date back to 2006 when nayar met julius arile and fellow former cattle rustler robert

gurrido gunslinger carnet de run pour gridrunners version - Oct 01 2023

web sep 30 2019 amazon com gurrido gunslinger carnet de run pour gridrunners version saeru co gridlock coda toolbox french edition 9791094902219 silhol léa books

gurrido gunslinger carnet de run pour gridrunners version - Feb 22 2023

web buy gurrido gunslinger carnet de run pour gridrunners version saeru co gridlock coda toolbox by silhol léa online on amazon ae at best prices fast and free shipping free returns cash on delivery available on eligible purchase

[gurrido gunslinger carnet de run pour gridrunners pdf](#) - Jan 24 2023

web the gunslinger followed with these unforgettable words millions of readers were introduced to stephen king s iconic character roland deschain of gilead roland is the last of his kind a gunslinger charged with protecting whatever goodness and light remains in his world a world that moved on as they say

gun runners 2015 imdb - Mar 14 2022

web jan 30 2015 gun runners directed by anjali nayar with julius arile robert matanda two warriors from northern kenya trade in their ak 47s for running shoes and the kenyan dream of marathon running

[gurrido gunslinger carnet de run pour gridrunners version](#) - Jul 30 2023

web gurrido gunslinger carnet de run pour gridrunners version saeru co silhol léa amazon com au books

[amazon com customer reviews gurrido gunslinger carnet de run pour](#) - May 28 2023

web find helpful customer reviews and review ratings for gurrido gunslinger carnet de run pour gridrunners version saeru co

gridlock coda toolbox french edition at amazon com read honest and unbiased product reviews from our users

gurrido gunslinger carnet de run pour gridrunners version - Mar 26 2023

web gurrido gunslinger carnet de run pour gridrunners version saeru co gridlock coda toolbox french edition silhol léa amazon sg books

gurrido gunslinger carnet de run pour gridrunners copy - Jun 16 2022

web 2 gurrido gunslinger carnet de run pour gridrunners 2023 05 24 and s mores cherie west s christmas plans included snow a romantic mountain ski chalet and a giant white diamond on her waiting third finger instead she got a cheating boyfriend a solo vacation and new plans to drown her sorrows all festive season that holiday in vermont

gurrido gunslinger carnet de run pour gridrunners version - Jul 18 2022

web sep 13 2023 march 21st 2020 nous éloignant un moment des territoires celtiques de vertigen nous partons pour un voyage qui nous mènera au japon et en corée du gurrido gunslinger carnet de run pour gridrunners version saeru amp co gridlock coda toolbox carnet de run pour gridrunners version samouraï gridlock coda toolbox

gurrido gunslinger carnet de run pour gridrunners 2022 - Sep 19 2022

web gurrido gunslinger carnet de run pour gridrunners downloaded from controlplane themintgaming com by guest hughes murray the acharnians vintage this tutorial book helps you to get started with autodesk s popular 3d modeling software using step by step tutorials it starts with creating parts of an oldham coupling assembly

gurrido gunslinger carnet de run pour gridrunners version - Aug 19 2022

web may 17 2023 gurrido gunslinger carnet de run pour gridrunners version saeru co by léa silhol gurrido gunslinger carnet de run pour gridrunners version saeru co by léa silhol secure4 khronos org keywords fr la silhol livres biographie crits livres similar authors to follow fr navigator prcd de tracs de feu sous la telecharger

gurrido gunslinger carnet de run pour gridrunners version - Jun 28 2023

web noté 5 achetez gurrido gunslinger carnet de run pour gridrunners version saeru co de silhol léa isbn 9791094902219 sur amazon fr des millions de livres livrés chez vous en 1 jour

gurrido gunslinger carnet de run pour gridrunners pdf - Nov 21 2022

web gurrido gunslinger carnet de run pour gridrunners 1 gurrido gunslinger carnet de run pour gridrunners yvain two prisoners the kids book of hanjie gurrido gunslinger carnet de run pour gridrunners downloaded from db csda org by guest sasha elliana yvain penguin key benefit fred and theresa holtzclaw bring over

gurrido gunslinger carnet de run pour gridrunners version - Aug 31 2023

web buy gurrido gunslinger carnet de run pour gridrunners version saeru co gridlock coda toolbox by silhol léa isbn 9791094902219 from amazon s book store everyday low prices and free delivery on eligible orders

gurrido gunslinger carnet de run pour gridrunners version - Apr 26 2023

web amazon in buy gurrido gunslinger carnet de run pour gridrunners version saeru co book online at best prices in india on amazon in read gurrido gunslinger carnet de run pour gridrunners version saeru co book reviews author details and more at amazon in free delivery on qualified orders

gurrido gunslinger carnet de run pour gridrunners 2023 - Oct 21 2022

web gurrido gunslinger carnet de run pour gridrunners downloaded from vps huratips com by guest blaine ellis sissy dreams from boyfriend to girlfriend vintage joyous noels resound in this bright festive holiday celebration from gifted composer victor johnson contrasting legato sections add to the musical interest and help to spell success in this

traduction gunrunner en français dictionnaire anglais français - Feb 10 2022

web gun runner gunrunner us n trafiquant m d armes traduction dictionnaire collins anglais français consulter aussi gunrunner exemples et traductions en contexte you are a criminal and a gunrunner vous êtes un criminel un

gurrido gunslinger carnet de run pour gridrunners - May 16 2022

web gurrido gunslinger carnet de run pour gridrunners downloaded from japanalert bananacoding com by guest mariana adrienne a world without meaning dorling kindersley ltd lacey s mother was shot twelve years ago her killer is about to be released on parole only lacey s statement can keep him in jail lacey is facing the

das zeitalter der fitness wie der korper zum zeic pdf - Aug 09 2022

web um die muskeln zu stärken wie fördere ich die kraft die beweglichkeit und die fitness wage den ersten schritt und verändere dein leben jetzt hole dir dieses buch und du wirst sehen das training um muskeln zu stärken und deine fitness und die beweglichkeit zu steigern ist keine hexerei klicke jetzt rechts oben auf den button jetzt

das zeitalter der fitness wie der korper zum zeic paul ehrlich - Feb 15 2023

web by on line this online broadcast das zeitalter der fitness wie der korper zum zeic can be one of the options to accompany you when having other time it will not waste your time agree to me the e book will no question announce you new matter to read just invest tiny epoch to door this on line message das zeitalter der fitness wie der korper

das zeitalter der fitness wie der korper zum zeic uniport edu - Apr 05 2022

web jun 12 2023 das zeitalter der fitness wie der korper zum zeic recognizing the quirk ways to acquire this books das zeitalter der fitness wie der korper zum zeic is additionally useful you have remained in right site to begin getting this info get the das zeitalter der fitness wie der korper zum zeic member that we find the money for here

das zeitalter der fitness wie der korper zum zeic pdf 2023 - Jul 08 2022

web next to the statement as skillfully as sharpness of this das zeitalter der fitness wie der korper zum zeic pdf can be taken as with ease as picked to act der sport des militärs martin elbe 2023 05 22 sport hat für das militär generell und für die

soldaten und soldatinnen in ihrem dienstalltag

[download free das zeitalter der fitness wie der korper zum zeic](#) - Nov 12 2022

web das zeitalter der fitness wie der korper zum zeic apr 17 2023 german 20th century poetry oct 11 2022 this collection features a cogent introduction and includes representative poems by some 60 modern poets including ingeborg bachmann gottfried benn berthold brecht paul celan gnnter eich gnnter grass georg heym hugo von

das zeitalter der fitness wie der korper zum zeic 2022 - Sep 22 2023

web 2 das zeitalter der fitness wie der korper zum zeic 2022 03 02 verbinden und er erzählt davon wie der glaube an ein gemeinsames allgemeines der die moderne formte zu zerbröckeln begann 1977 führt uns ein jahr vor augen in dem nur die unsicherheit

das zeitalter der fitness wie der korper zum zeic pdf - Sep 10 2022

web may 12 2023 das zeitalter der fitness wie der korper zum zeic 2 11 downloaded from uniport edu ng on may 12 2023 by guest psychologie physiologie und geschichte beleuchtet um so ihre bedeutung für unser leben zu reflektieren und ihren nutzen angesichts der herausforderungen unserer zeit aufzuzeigen

das zeitalter der fitness wie der korper zum zeic pdf - May 06 2022

web may 1 2023 das zeitalter der fitness wie der korper zum zeic 2 11 downloaded from uniport edu ng on may 1 2023 by guest Überwachungskapitalismus wie reagieren wir auf die neuen methoden der verhaltensauswertung und manipulation die unsere autonomie bedrohen akzeptieren wir die neuen formen sozialer ungleichheit ist widerstand

das zeitalter der fitness wie der korper zum zeic download - Mar 16 2023

web das zeitalter der fitness wie der korper zum zeic downloaded from old syndeohro com by guest matias mata der spiegel transcript verlag tod und sterben entwickelten sich in der zeitgeschichte zu zentralen gesellschaftlichen konfliktthemen wo war der beste ort zum sterben wie lange sollte das leben mit hilfe der modernen medizin verlängert

downloadable free pdfs das zeitalter der fitness wie der korper zum zeic - Dec 13 2022

web das zeitalter der fitness wie der korper zum zeic deutsches lesebuch prober der deutschen prosa seit dem jahre md 1 v in 2 aug 08 2020 archiv der pharmazie jan 13 2021 das buch ist dem andenken des 1999 verstorbenen renommierten bochumer sinologen helmut martin gewidmet

das zeitalter der fitness wie der korper zum zeic 2023 - Jun 19 2023

web das zeitalter der fitness wie der korper zum zeic the technologist jul 28 2020 die geschichte der physik in grundzügen th in den letzten hundert jahren 1780 1880 1887 90 may 25 2020 die wende von der aufklärung zur romantik 1760 1820 jul 20 2022

[das zeitalter der fitness wie der körper zum zeichen von erfolg](#) - Oct 23 2023

web gugutzer r and bredereck b 2020 das zeitalter der fitness wie der körper zum zeichen von erfolg und leistung wurde sport und gesellschaft vol 17 issue 2 pp 221 228

das zeitalter der fitness wie der körper zum zeic pdf copy - Oct 11 2022

web mar 17 2023 right here we have countless book das zeitalter der fitness wie der körper zum zeic pdf and collections to check out we additionally offer variant types and also type of the books to browse the up to standard book fiction history novel scientific research as skillfully as various extra sorts of books are readily available

das zeitalter der fitness wie der körper zum zeichen für erfolg - Jan 14 2023

web das zeitalter der fitness wie der körper zum zeichen für erfolg und leistung wurde sie erreichen uns 24 stunden über unser kontaktformular oder zu den geschäftszeiten unter 030 469 06 20 versicherter versand innerhalb deutschland mit der deutschen post ag sicher einkaufen

das zeitalter der fitness wie der körper zum zeichen für erfolg - Mar 04 2022

web das zeitalter der fitness wie der körper zum zeichen für erfolg und leistung wurde by jürgen martschukat wien stadt der körperspender diepresse warum home fitness die nächste herausforderung für ihr rauchen aufhören die phasen der regeneration des körpers jf buchdienst das zeitalter der fitness aktuelle dein traumkörper ebook

das zeitalter der fitness wie der körper zum zeichen für erfolg - Apr 17 2023

web das zeitalter der fitness wie der körper zum zeichen für erfolg und leistung wurde by jürgen martschukat das zeitalter der fitness wie der körper zum zeichen für das zeitalter der fitness wie der körper zum zeichen für das zeitalter der fitness wie der körper zum zeichen für 20 minütiges wassertraining

das zeitalter der fitness wie der körper zum zeic pdf pdf - Jul 20 2023

web das zeitalter der fitness wie der körper zum zeic pdf introduction das zeitalter der fitness wie der körper zum zeic pdf pdf title das zeitalter der fitness wie der körper zum zeic pdf pdf support ortax org created date 9 18 2023 10 59 48 pm

das zeitalter der fitness wie der körper zum zeichen für erfolg - Aug 21 2023

web das zeitalter der fitness ist ein interessantes buch über das thema fitnesswahn wie er angefangen hat und was eigentlich mit unserem konsum zu dem thema zu tun hat ich persönlich war erstaunt wie gut sich dieses sachbuch lesen lässt es werden zwar viele fakten aufgeführt dennoch lässt es sich ohne große störungen lesen

das zeitalter der fitness wie der körper zum zeichen für - May 18 2023

web die geschichte des körpers im neoliberalismus wie fitness zur signatur der moderne wurde wer nicht fit ist ist irgendwie außen vor und wer dick ist erst recht unsere körper sind unser kapital fitness ist ein statement der historiker jürgen martschukat erzählt wie wir dahin gekommen sind warum werden manager zu marathonläufern

das zeitalter der fitness wie der körper zum zeic pdf - Jun 07 2022

web das zeitalter der fitness wie der korper zum zeic 2 10 downloaded from uniport edu ng on may 1 2023 by guest der
schnellste jude deutschlands kay schiller 2022 08 31 ein deutsch jüdischer spitzensportler und intellektueller im zeitalter der
extreme alex natan 1906 1971 jüdisch deutscher spitzenleichtathlet