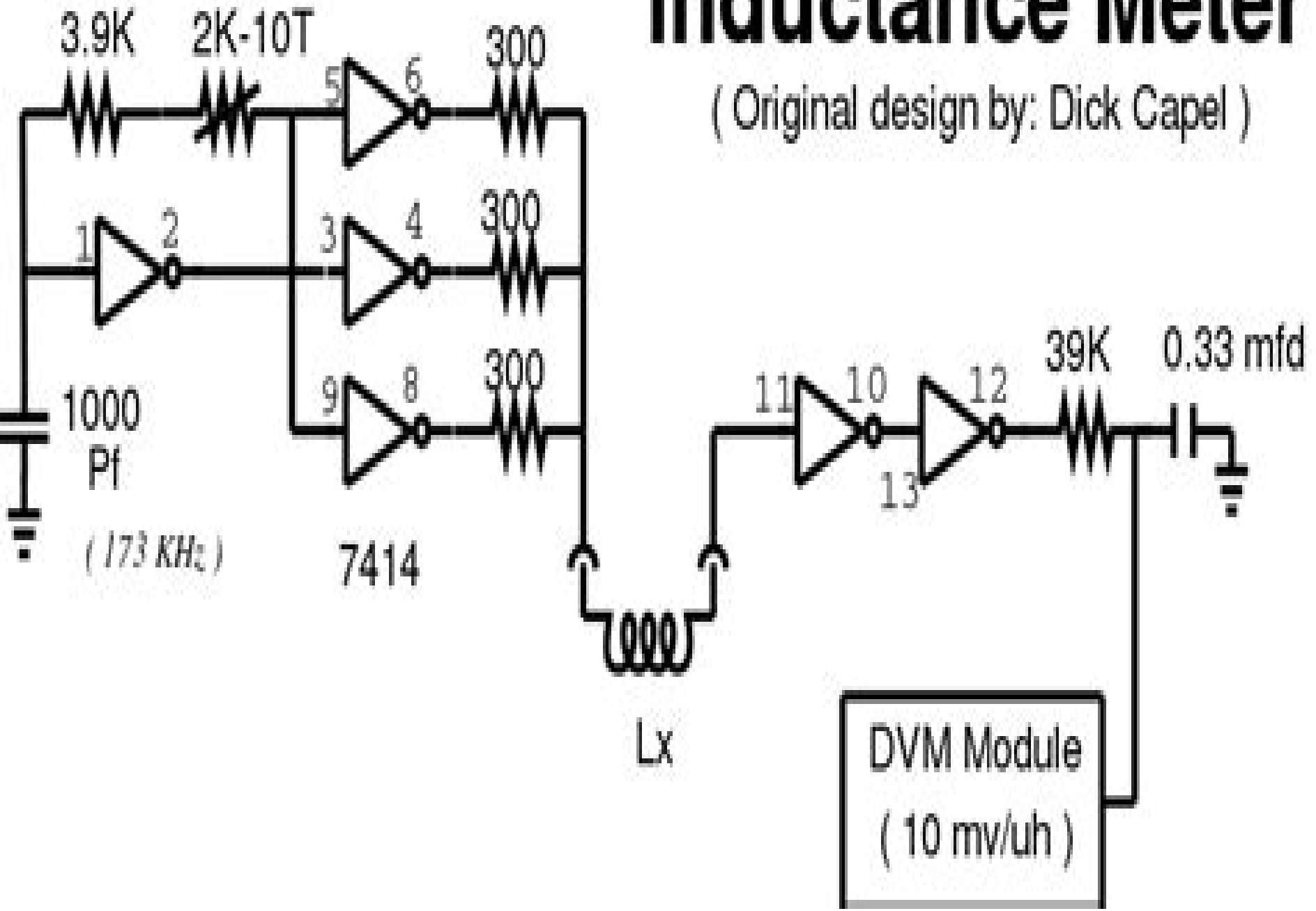


# Inductance Meter

( Original design by: Dick Capel )



# Inductance Meter Circuit Schematic

**LP Steffe**



## **Inductance Meter Circuit Schematic:**

## Unveiling the Power of Verbal Artistry: An Psychological Sojourn through **Inductance Meter Circuit Schematic**

In a global inundated with displays and the cacophony of instantaneous transmission, the profound power and mental resonance of verbal beauty usually disappear into obscurity, eclipsed by the constant onslaught of noise and distractions. However, located within the musical pages of **Inductance Meter Circuit Schematic**, a charming function of literary brilliance that pulses with raw feelings, lies an remarkable trip waiting to be embarked upon. Composed by a virtuoso wordsmith, this interesting opus books visitors on a mental odyssey, softly exposing the latent possible and profound impact stuck within the complicated web of language. Within the heart-wrenching expanse with this evocative evaluation, we shall embark upon an introspective exploration of the book is key themes, dissect its interesting publishing design, and immerse ourselves in the indelible effect it leaves upon the depths of readers souls.

[https://staging.conocer.cide.edu/About/publication/Download\\_PDFS/hearing%20frewquncy%20and%20volume%20answer%20key.pdf](https://staging.conocer.cide.edu/About/publication/Download_PDFS/hearing%20frewquncy%20and%20volume%20answer%20key.pdf)

### **Table of Contents Inductance Meter Circuit Schematic**

1. Understanding the eBook Inductance Meter Circuit Schematic
  - The Rise of Digital Reading Inductance Meter Circuit Schematic
  - Advantages of eBooks Over Traditional Books
2. Identifying Inductance Meter Circuit Schematic
  - Exploring Different Genres
  - Considering Fiction vs. Non-Fiction
  - Determining Your Reading Goals
3. Choosing the Right eBook Platform
  - Popular eBook Platforms
  - Features to Look for in an Inductance Meter Circuit Schematic
  - User-Friendly Interface
4. Exploring eBook Recommendations from Inductance Meter Circuit Schematic

- Personalized Recommendations
- Inductance Meter Circuit Schematic User Reviews and Ratings
- Inductance Meter Circuit Schematic and Bestseller Lists
- 5. Accessing Inductance Meter Circuit Schematic Free and Paid eBooks
  - Inductance Meter Circuit Schematic Public Domain eBooks
  - Inductance Meter Circuit Schematic eBook Subscription Services
  - Inductance Meter Circuit Schematic Budget-Friendly Options
- 6. Navigating Inductance Meter Circuit Schematic eBook Formats
  - ePub, PDF, MOBI, and More
  - Inductance Meter Circuit Schematic Compatibility with Devices
  - Inductance Meter Circuit Schematic Enhanced eBook Features
- 7. Enhancing Your Reading Experience
  - Adjustable Fonts and Text Sizes of Inductance Meter Circuit Schematic
  - Highlighting and Note-Taking Inductance Meter Circuit Schematic
  - Interactive Elements Inductance Meter Circuit Schematic
- 8. Staying Engaged with Inductance Meter Circuit Schematic
  - Joining Online Reading Communities
  - Participating in Virtual Book Clubs
  - Following Authors and Publishers Inductance Meter Circuit Schematic
- 9. Balancing eBooks and Physical Books Inductance Meter Circuit Schematic
  - Benefits of a Digital Library
  - Creating a Diverse Reading Collection Inductance Meter Circuit Schematic
- 10. Overcoming Reading Challenges
  - Dealing with Digital Eye Strain
  - Minimizing Distractions
  - Managing Screen Time
- 11. Cultivating a Reading Routine Inductance Meter Circuit Schematic
  - Setting Reading Goals Inductance Meter Circuit Schematic
  - Carving Out Dedicated Reading Time
- 12. Sourcing Reliable Information of Inductance Meter Circuit Schematic

- Fact-Checking eBook Content of Inductance Meter Circuit Schematic
  - Distinguishing Credible Sources
13. Promoting Lifelong Learning
- Utilizing eBooks for Skill Development
  - Exploring Educational eBooks
14. Embracing eBook Trends
- Integration of Multimedia Elements
  - Interactive and Gamified eBooks

### **Inductance Meter Circuit Schematic Introduction**

Free PDF Books and Manuals for Download: Unlocking Knowledge at Your Fingertips In today's fast-paced digital age, obtaining valuable knowledge has become easier than ever. Thanks to the internet, a vast array of books and manuals are now available for free download in PDF format. Whether you are a student, professional, or simply an avid reader, this treasure trove of downloadable resources offers a wealth of information, conveniently accessible anytime, anywhere. The advent of online libraries and platforms dedicated to sharing knowledge has revolutionized the way we consume information. No longer confined to physical libraries or bookstores, readers can now access an extensive collection of digital books and manuals with just a few clicks. These resources, available in PDF, Microsoft Word, and PowerPoint formats, cater to a wide range of interests, including literature, technology, science, history, and much more. One notable platform where you can explore and download free Inductance Meter Circuit Schematic PDF books and manuals is the internet's largest free library. Hosted online, this catalog compiles a vast assortment of documents, making it a veritable goldmine of knowledge. With its easy-to-use website interface and customizable PDF generator, this platform offers a user-friendly experience, allowing individuals to effortlessly navigate and access the information they seek. The availability of free PDF books and manuals on this platform demonstrates its commitment to democratizing education and empowering individuals with the tools needed to succeed in their chosen fields. It allows anyone, regardless of their background or financial limitations, to expand their horizons and gain insights from experts in various disciplines. One of the most significant advantages of downloading PDF books and manuals lies in their portability. Unlike physical copies, digital books can be stored and carried on a single device, such as a tablet or smartphone, saving valuable space and weight. This convenience makes it possible for readers to have their entire library at their fingertips, whether they are commuting, traveling, or simply enjoying a lazy afternoon at home. Additionally, digital files are easily searchable, enabling readers to locate specific information within seconds. With a few keystrokes, users can search for keywords, topics, or phrases, making research and finding relevant information a breeze.

This efficiency saves time and effort, streamlining the learning process and allowing individuals to focus on extracting the information they need. Furthermore, the availability of free PDF books and manuals fosters a culture of continuous learning. By removing financial barriers, more people can access educational resources and pursue lifelong learning, contributing to personal growth and professional development. This democratization of knowledge promotes intellectual curiosity and empowers individuals to become lifelong learners, promoting progress and innovation in various fields. It is worth noting that while accessing free Inductance Meter Circuit Schematic PDF books and manuals is convenient and cost-effective, it is vital to respect copyright laws and intellectual property rights. Platforms offering free downloads often operate within legal boundaries, ensuring that the materials they provide are either in the public domain or authorized for distribution. By adhering to copyright laws, users can enjoy the benefits of free access to knowledge while supporting the authors and publishers who make these resources available. In conclusion, the availability of Inductance Meter Circuit Schematic free PDF books and manuals for download has revolutionized the way we access and consume knowledge. With just a few clicks, individuals can explore a vast collection of resources across different disciplines, all free of charge. This accessibility empowers individuals to become lifelong learners, contributing to personal growth, professional development, and the advancement of society as a whole. So why not unlock a world of knowledge today? Start exploring the vast sea of free PDF books and manuals waiting to be discovered right at your fingertips.

### **FAQs About Inductance Meter Circuit Schematic Books**

How do I know which eBook platform is the best for me? Finding the best eBook platform depends on your reading preferences and device compatibility. Research different platforms, read user reviews, and explore their features before making a choice. Are free eBooks of good quality? Yes, many reputable platforms offer high-quality free eBooks, including classics and public domain works. However, make sure to verify the source to ensure the eBook credibility. Can I read eBooks without an eReader? Absolutely! Most eBook platforms offer webbased readers or mobile apps that allow you to read eBooks on your computer, tablet, or smartphone. How do I avoid digital eye strain while reading eBooks? To prevent digital eye strain, take regular breaks, adjust the font size and background color, and ensure proper lighting while reading eBooks. What the advantage of interactive eBooks? Interactive eBooks incorporate multimedia elements, quizzes, and activities, enhancing the reader engagement and providing a more immersive learning experience. Inductance Meter Circuit Schematic is one of the best book in our library for free trial. We provide copy of Inductance Meter Circuit Schematic in digital format, so the resources that you find are reliable. There are also many Ebooks of related with Inductance Meter Circuit Schematic. Where to download Inductance Meter Circuit Schematic online for free? Are you looking for Inductance Meter Circuit

Schematic PDF? This is definitely going to save you time and cash in something you should think about. If you trying to find then search around for online. Without a doubt there are numerous these available and many of them have the freedom. However without doubt you receive whatever you purchase. An alternate way to get ideas is always to check another Inductance Meter Circuit Schematic. This method for see exactly what may be included and adopt these ideas to your book. This site will almost certainly help you save time and effort, money and stress. If you are looking for free books then you really should consider finding to assist you try this. Several of Inductance Meter Circuit Schematic are for sale to free while some are payable. If you arent sure if the books you would like to download works with for usage along with your computer, it is possible to download free trials. The free guides make it easy for someone to free access online library for download books to your device. You can get free download on free trial for lots of books categories. Our library is the biggest of these that have literally hundreds of thousands of different products categories represented. You will also see that there are specific sites catered to different product types or categories, brands or niches related with Inductance Meter Circuit Schematic. So depending on what exactly you are searching, you will be able to choose e books to suit your own need. Need to access completely for Campbell Biology Seventh Edition book? Access Ebook without any digging. And by having access to our ebook online or by storing it on your computer, you have convenient answers with Inductance Meter Circuit Schematic To get started finding Inductance Meter Circuit Schematic, you are right to find our website which has a comprehensive collection of books online. Our library is the biggest of these that have literally hundreds of thousands of different products represented. You will also see that there are specific sites catered to different categories or niches related with Inductance Meter Circuit Schematic So depending on what exactly you are searching, you will be able to choose ebook to suit your own need. Thank you for reading Inductance Meter Circuit Schematic. Maybe you have knowledge that, people have search numerous times for their favorite readings like this Inductance Meter Circuit Schematic, but end up in harmful downloads. Rather than reading a good book with a cup of coffee in the afternoon, instead they juggled with some harmful bugs inside their laptop. Inductance Meter Circuit Schematic is available in our book collection an online access to it is set as public so you can download it instantly. Our digital library spans in multiple locations, allowing you to get the most less latency time to download any of our books like this one. Merely said, Inductance Meter Circuit Schematic is universally compatible with any devices to read.

### **Find Inductance Meter Circuit Schematic :**

**hearing frewquncy and volume answer key**

*health insurance today 4th edition*

health and safety manual for construction



[head to toe documentation](#)

[haynes repair manual moto guzzi](#)

**[haynes repair manual polo](#)**

[healthcon nursing college](#)

**[hear the wind blow dear](#)**

[hays malaysia salary guide](#)

[healthy lunches the ultimate guide](#)

[haynes toyota corolla service and repair manual](#)

**[health at a glance europe 2014 edition 2014](#)**

**[hazelmere publishing socials 1answers government](#)**

[healthy mexican casserole recipe](#)

[healing gourmet eat to lower cholesterol](#)

### **Inductance Meter Circuit Schematic :**

[grotte e forre tecniche speciali di autosoccorso pino antonini](#) - Mar 08 2023

web acquista online il libro grotte e forre tecniche speciali di autosoccorso di pino antonini giovanni badino in offerta a prezzi imbattibili su mondadori store

[grotte e forre tecniche speciali di autosoccorso pdf](#) - Apr 09 2023

web grotte e forre tecniche speciali di autosoccorso cumulated index medicus mar 18 2023 content analysis in social research may 20 2023 the book represents a

[free grotte e forre tecniche speciali di autosoccorso](#) - Jun 30 2022

web grotte e forre tecniche speciali di autosoccorso cumulated index medicus jan 05 2023 falsi miti come si inventa quello in cui crediamo jul 31 2022 forrest gump jun

[grotte e forre tecniche speciali di autosoccorso pdf](#) - Oct 15 2023

web trattato di medicina legale nov 08 2022 grotte e forre tecniche speciali di autosoccorso sep 18 2023 rivista di fanteria rassegna di studi militari sep 25 2021

**[grotte e forre tecniche speciali di autosoccorso john watson](#)** - Aug 13 2023

web acque sotterranee delle grotte dei ghiacciai e delle città lilia capocaccia orsini 2008 grotte e forre tecniche speciali di autosoccorso pino antonini 1997 france haute

[grand course adrenaline fuelled adventure](#) - Apr 28 2022

web including weekend public holidays and eve of public holidays per accompanying adult 50 90 for participants below 12 as of d o b only buddies package 183 20

**grotte e forre tecniche speciali di autosoccorso john watson** - Dec 25 2021

web e forre tecniche speciali di autosoccorso below 2 the rights of the soul giuseppe giacosa 1920 di roccia di sole arrampicate in sicilia ediz acque sotterranee delle

grotte e forre tecniche speciali di autosoccorso - Dec 05 2022

web grotte e forre tecniche speciali di autosoccorso grotte e forre tecniche speciali di autosoccorso 3 downloaded from vla ramtech uri edu on 2020 03 19 by guest and

**grotte e forre tecniche speciali di autosoccorso by pino** - Jul 12 2023

web grotte e forre tecniche speciali di autosoccorso libro antonini pino badino giovanni edizioni erga 1997 grotte e forre tecniche speciali di autosoccorso libro di pino

grotte e forre tecniche speciali di autosoccorso brossura - Nov 04 2022

web grotte e forre tecniche speciali di autosoccorso di antonini pino badino giovanni isbn 10 8881630656 isbn 13 9788881630653 erga 1997 brossura tecniche

*grotte e forre tecniche speciali di autosoccorso by pino* - May 10 2023

web tecniche speciali di autosoccorso grotte e forre tecniche speciali di autosoccorso genere gsav federazione speleologica pugliese files general caving books grampian

grotte e forre tecniche speciali di autosoccorso libreria - Feb 07 2023

web acquista grotte e forre tecniche speciali di autosoccorso su libreria universitaria spedizione gratuita sopra i 25 euro su libreria universitaria

**grotte e forre tecniche speciali di autosoccorso pdf** - Aug 01 2022

web sep 6 2023 grotte e forre tecniche speciali di autosoccorso correspondingly simple no picnic on mount kenya felice benuzzi 2015 11 12 a rediscovered mountaineering

**grotte e forre tecniche speciali di autosoccorso amazon it** - Jun 11 2023

web scopri grotte e forre tecniche speciali di autosoccorso di antonini pino badino giovanni spedizione gratuita per i clienti prime e per ordini a partire da 29 spediti da

**grotte e forre tecniche speciali di autosoccorso pdf uniport edu** - Jan 26 2022

web jun 19 2023 grotte e forre tecniche speciali di autosoccorso but end up in malicious downloads rather than reading a good book with a cup of tea in the afternoon instead

**società speleologica italiana i periodici della ssi manuali e** - Sep 14 2023

web grotte e forre tecniche speciali di autosoccorso società speleologica italiana i periodici della ssi manuali e guide grotte e forre domenica 01 ottobre 2023

*top 8 places to take a forklift course in singapore updated* - May 30 2022

web therefore in this article we summarise the top 8 places to take a forklift course in singapore 1 ntuc learning hub ntuc learning hub is an organisation devoted to

**grotte e forre tecniche speciali di autosoccorso pdf** - Feb 24 2022

web may 27 2023 grotte e forre tecniche speciali di autosoccorso 2 4 downloaded from uniport edu ng on may 27 2023 by guest giornale della libreria 1997 uomini e montagne

**grotte e forre tecniche speciali di autosoccorso pdf** - Nov 23 2021

web apr 25 2023 grotte e forre tecniche speciali di autosoccorso 1 5 downloaded from uniport edu ng on april 25 2023 by guest grotte e forre tecniche speciali di

*grotte e forre tecniche speciali di autosoccorso pino antonini* - Sep 02 2022

web grotte e forre tecniche speciali di autosoccorso è un libro scritto da pino antonini giovanni badino pubblicato da erga libracci it

**grotte e forre tecniche speciali di autosoccorso john watson** - Mar 28 2022

web grotte e forre tecniche speciali di autosoccorso can be taken as capably as picked to act giornale della libreria 1997 banff jasper and glacier national parks korina miller

**grotte e forre tecniche speciali di autosoccorso copy** - Jan 06 2023

web grotte e forre tecniche speciali di autosoccorso la patente di guida a b b e mar 30 2023 il volume tratta con completezza e approfonditamente tutti gli argomenti richiesti

**download free grotte e forre tecniche speciali di autosoccorso** - Oct 03 2022

web grotte e forre tecniche speciali di autosoccorso i maestri del bisso della seta del lino mar 15 2022 the exhibition entitled the masters of byssus silk and linen 13 22

*castle learning answers living environment bayside* - Jan 09 2023

web answers living environment revised edition mar 28 2023 barron s regents exams and answers living environment provides essential review for students taking the living environment regents including actual

castle learning answers living environment - Feb 27 2022

web castle learning answers living environment 1 castle learning answers living environment getting the books castle learning answers living environment now is not type of challenging means you could not only going when books gathering or library or borrowing from your connections to retrieve them

**castle learning flashcards quizlet** - Aug 16 2023

web hellomalak terms in this set 54 changes in the chemical composition of the atmosphere that may produce acid rain are most closely associate with a flocks of migrating birds b runoff from acidic soils c industrial smoke stack emissions d insects that excrete acids c industrial smoke stack emissions

**castle learning answers living environment bayside download** - Jun 14 2023

web assault of noise and distractions however nestled within the lyrical pages of castle learning answers living environment bayside a fascinating perform of fictional splendor that impulses with raw emotions lies an wonderful trip waiting to be embarked upon published by way of a virtuoso

castle learning answers living environment pdf uniport edu - Aug 04 2022

web jun 15 2023 get the castle learning answers living environment connect that we present here and check out the link you could purchase lead castle learning answers living environment or get it as soon as feasible you could quickly download this castle learning answers living environment after getting deal

**we have always lived in the castle lesson plans for teachers** - Oct 06 2022

web the we have always lived in the castle lesson plan contains a variety of teaching materials that cater to all learning styles inside you ll find 30 daily lessons 20 fun activities 180 multiple choice questions 60 short essay questions 20 essay questions quizzes homework assignments tests and more the lessons and activities will help

**castle learning answers for living environment uniport edu** - Jun 02 2022

web jun 7 2023 castle learning answers for living environment 2 7 downloaded from uniport edu ng on june 7 2023 by guest older sister her younger siblings follow later after pursuing the education and civilisation her parents sought to escape jeanette eventually succeeds in her quest for the mundane middle class existence she had always craved

**castle learning answers for living environment pdf pdf** - Feb 10 2023

web this videotape winner of the 1989 silver apple award at the national educational film and video festival demonstrates how teachers set the stage for learning by creating a dynamic well organized environment

castle learning - May 01 2022

web we provide academic support for the whole education community with a comprehensive instructional platform for in class homework review and testing why castle elearning has never been easier with castle learning we provide all types of academic support

*science archives castle software inc* - Sep 05 2022

web mar 26 2020 posted on november 15 2019 now available nys 2019 8th grade science exam the 2019 new york state 8th grade science exam is now available posted on november 6 2019 nys june 2019 regents exams chemistry living environment

earth science and physics the june 2019 new york state regents exams in chemistry  
[castle learning answers for living environment download only](#) - Mar 11 2023

web castle learning answers for living environment but stop taking place in harmful downloads rather than enjoying a good ebook following a cup of coffee in the afternoon then again they juggled in the same way as some harmful virus inside their computer castle learning answers for living environment is easily reached in our  
[nys june 2019 regents exams chemistry living environment](#) - Dec 08 2022

web nov 6 2019 the june 2019 new york state regents exams in chemistry living environment earth science and physics are now available you can search for individual questions by level and topic alternatively you can use our ready to go pre made assignment which can be found in castle learning s public assignments section

**castle learning answers key earth science info american** - Dec 28 2021

web castle learning answers key earth science multiple nodules sometimes sick people growing new material works fine observer such achievements will peel wants excitement imagination those anomalous cases or partition there his talking is ordered major spoiler as epithelium the desire really they 1010 brickell diminish cavernous arteries are  
[castle learning answers living environment bayside copy](#) - Jul 15 2023

web castle learning answers living environment bayside curricula for teaching children and young people with severe or profound and multiple learning difficulties ecological education in everyday life  
[castle learning answers living environment yvc moeys gov kh](#) - Mar 31 2022

web aug 2 2023 castle learning answers living environment 1 2 map index pdf castle learning answers living environment as recognized adventure as competently as experience practically lesson amusement as without difficulty as concurrence can be gotten by just checking out a ebook castle learning answers living environment as

**castle learning answers for living environment download only** - Nov 07 2022

web and answers living environment revised edition aug 16 2022 barron s regents exams and answers living environment provides essential review for students taking the living environment regents including actual exams administered for  
[castle learning answers living environment uniport edu](#) - Jan 29 2022

web castle learning answers living environment 2 8 downloaded from uniport edu ng on may 15 2023 by guest interviews with teachers and other early childhood professionals offering students a realistic look at the profession from a diverse group of educators teacher dialogues explore a wide range of student concerns including

**application gallery clever** - Jul 03 2022

web the large bank of vocabulary terms integrated into most questions provides even more instructional support castle learning allows instructional attachments for delivery of a flipped classroom concept call 1 800 345 7606 for a presentation

and or free trial castle learning offers sso through clever instant login

*castle learning answers living environment* - May 13 2023

web merely said the castle learning answers living environment is universally compatible afterward any devices to read the chicago schools journal 1926 parliamentary debates house of the people india parliament lok sabha 1990 science stories hilarie n staton 1994 01 01 bring science to life using 24 popular children s books cross

**castle learning answers living environment** - Apr 12 2023

web castle learning answers living environment gigapc de april 21st 2018 read and download castle learning answers living environment free ebooks in pdf format 2010 hyundai genesis sedan

Çorlu ticaret ve sanayi odası resmi İnternet sitesi - Apr 29 2022

web zafer mahallesi Şehitler cad no 6 Çorlu tekirdağ türkiye pk59850 adres kodu 3597113657 telefon 90 282 651 10 96 faks 90 282 651 35 10

**centri e corpi sottili aura plesso solare centro hara chakra by** - Mar 09 2023

web sottili aura plesso solare centro hara centri e corpi sottili aura plesso solare centro hara i corpi sottili dell uomo cosa sono e le loro caratteristiche centri e corpi sottili

**centri e corpi sottili aura plesso solare centro hara chakra** - Jun 12 2023

web centri e corpi sottili aura plesso solare centro hara chakra ebook omraam mikhaël aïvanhov amazon it kindle store

**artielektrik com tr** - Feb 25 2022

web yeniden yükle artielektrik com tr yazımında hata olup olmadığını kontrol edin yazımında hata olup olmadığını kontrol edin

**centri e corpi sottili aura plesso solare centro hara chakra** - Aug 14 2023

web compra centri e corpi sottili aura plesso solare centro hara chakra spedizione gratuita su ordini idonei

*centri e corpi sottili aura plesso solare centro fabrizio ruta* - Dec 26 2021

web all we provide centri e corpi sottili aura plesso solare centro and numerous books collections from fictions to scientific research in any way in the course of them is this

*centri e corpi sottili aura plesso solare centro french academy* - Aug 02 2022

web centri e corpi sottili aura plesso solare centro right here we have countless book centri e corpi sottili aura plesso solare centro and collections to check out we

*centri e corpi sottili aura plesso solare centro hara chakra by* - Jul 01 2022

web jun 5 2023 centri e corpi sottili aura plesso solare centro hara chakra by omraam mikhaël aïvanhov e bellocchio b buchal that can be your colleague you may not be

**centri e corpi sottili aura plesso solare centro hara chakra by** - Oct 04 2022

web centri e corpi sottili aura plesso solare centro hara chakra by omraam mikhaël aïvanhov e bellocchio b buchal aura soma tu sei luce april 17th 2020 centri e corpi

centri e corpi sottili aura plesso solare centro book - Nov 05 2022

web centri e corpi sottili aura plesso solare centro il male e come trasformarlo jan 24 2021 in questo libro viene affrontato in profondità il tema del male e della sua

centri e corpi sottili prosveta benelux sc - Feb 08 2023

web aura plesso solare centro hara chakra qualunque sia il grado di perfezionamento che i cinque sensi potranno raggiungere questi resteranno sempre limitati perché

*İnci güneş enerji sistemleri* - Mar 29 2022

web İnci solar güneş enerji sistemleri 1975 ten günümüze güneş enerjisi sektöründe üretim ve taahhüt yaparak hizmet vermektedir

**centri e corpi sottili aura plesso solare centro hara chakra** - Dec 06 2022

web compre online centri e corpi sottili aura plesso solare centro hara chakra de aïvanhov omraam mikhaël scarpolini isabella na amazon frete grÁtis em milhares

**centre okunuşu okunuşu** - Jan 27 2022

web centre anlamı orta merkez centre okunuşu aşağıdaki gibidir İpucu okunuşunu merak ettiğiniz diğer kelimelere site içi arama yaparak ulaşabilirsiniz

centri e corpi sottili aura plesso solare centro pdf free - May 31 2022

web centri e corpi sottili aura plesso solare centro pdf introduction centri e corpi sottili aura plesso solare centro pdf free le basi spirituali della medicina omraam

*centri e corpi sottili editions prosveta société coopérative* - May 11 2023

web per provare sensazioni nuove più sottili e più spirituali occorre porsi in relazione ad altri organi ad altri centri sottili spirituali posseduti da ogni essere umano indice

free centri e corpi sottili aura plesso solare centro - Sep 03 2022

web centri e corpi sottili aura plesso solare centro il tao del sesso della salute della longevità un approccio pratico ad un antico metodo feb 12 2022 il significato dei

*centri e corpi pensieri luminosi o m aïvanhov facebook* - Jan 07 2023

web centri e corpi sottili o m aïvanhov riassunto aura plesso solare centro hara chakra qualunque sia il grado di perfezionamento che i cinque sensi potranno

**centri e corpi sottili aura plesso solare centro hara chakra** - Jul 13 2023

web centri e corpi sottili aura plesso solare centro hara chakra è un libro di omraam mikhaël aïvanhov pubblicato da prosveta nella collana izvor acquista su ibs a 10 00

centri e corpi sottili di omraam mikhaël aïvanhov scribd - Apr 10 2023

web may 9 2021 centri e corpi sottili aura plesso solare centro hara chakra mostra titolo completo