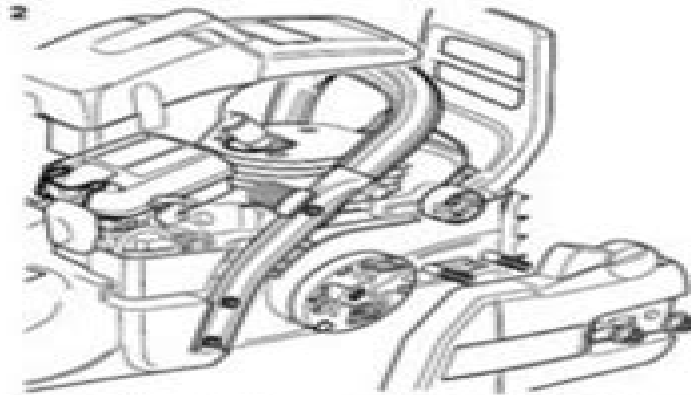
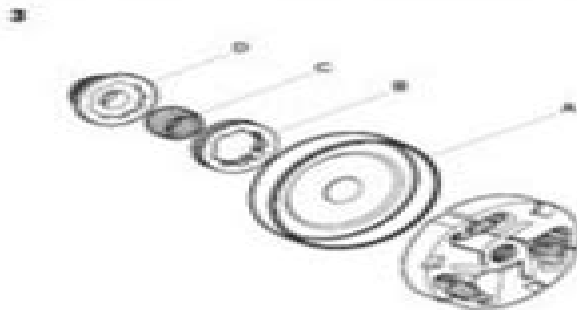


Oil pump – removal

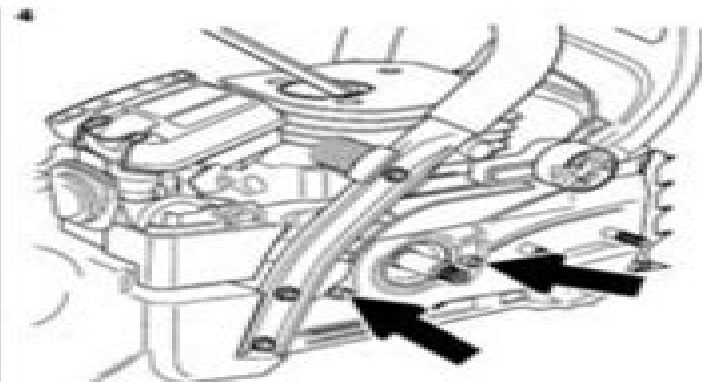
1
Empty and clean the oil tank.



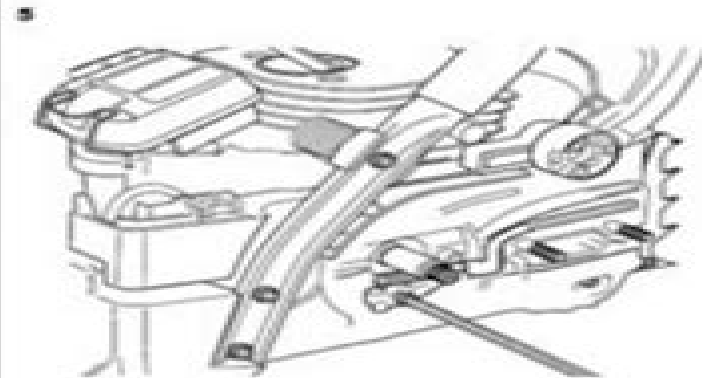
Remove the cylinder cover. Disengage the chain brake by pushing the kickback guard backwards. Undo the guide bar bolts and remove the clutch cover, chain and guide bar. Disconnect the HT lead. Remove the spark plug and fit piston stop 502 54 15-01 in its place. Unbolt the clutch using tool 502 52 22-02 and a suitable socket or combination spanner. Turn the nut clockwise to remove it.



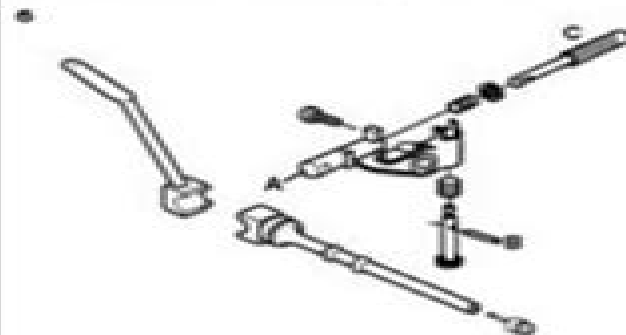
Unbolt and remove the clutch drum (A), chain sprocket (B), needle bearing (C) and pump drive wheel (D).



Remove the chain guide plate.



Unbolt the oil pump from the crankcase.



Remove the oil hose and filter (A).

Husqvarna 359 Chainsaw Workshop Manual

Minjie Lin



Husqvarna 359 Chainsaw Workshop Manual:

Whispering the Techniques of Language: An Psychological Quest through **Husqvarna 359 Chainsaw Workshop Manual**

In a digitally-driven earth wherever monitors reign supreme and quick conversation drowns out the subtleties of language, the profound techniques and mental subtleties hidden within phrases frequently move unheard. Yet, located within the pages of **Husqvarna 359 Chainsaw Workshop Manual** a charming literary value pulsing with organic thoughts, lies an exceptional journey waiting to be undertaken. Composed by a talented wordsmith, that marvelous opus attracts viewers on an introspective trip, gently unraveling the veiled truths and profound influence resonating within ab muscles fabric of each word. Within the emotional depths of the emotional evaluation, we can embark upon a sincere exploration of the book is core styles, dissect their fascinating writing design, and yield to the effective resonance it evokes serious within the recesses of readers hearts.

<https://staging.conocer.cide.edu/book/Resources/Documents/fiches%20pour%20russir%20licence%20psychologie.pdf>

Table of Contents Husqvarna 359 Chainsaw Workshop Manual

1. Understanding the eBook Husqvarna 359 Chainsaw Workshop Manual
 - The Rise of Digital Reading Husqvarna 359 Chainsaw Workshop Manual
 - Advantages of eBooks Over Traditional Books
2. Identifying Husqvarna 359 Chainsaw Workshop Manual
 - Exploring Different Genres
 - Considering Fiction vs. Non-Fiction
 - Determining Your Reading Goals
3. Choosing the Right eBook Platform
 - Popular eBook Platforms
 - Features to Look for in an Husqvarna 359 Chainsaw Workshop Manual
 - User-Friendly Interface
4. Exploring eBook Recommendations from Husqvarna 359 Chainsaw Workshop Manual
 - Personalized Recommendations

- Husqvarna 359 Chainsaw Workshop Manual User Reviews and Ratings
- Husqvarna 359 Chainsaw Workshop Manual and Bestseller Lists
- 5. Accessing Husqvarna 359 Chainsaw Workshop Manual Free and Paid eBooks
 - Husqvarna 359 Chainsaw Workshop Manual Public Domain eBooks
 - Husqvarna 359 Chainsaw Workshop Manual eBook Subscription Services
 - Husqvarna 359 Chainsaw Workshop Manual Budget-Friendly Options
- 6. Navigating Husqvarna 359 Chainsaw Workshop Manual eBook Formats
 - ePub, PDF, MOBI, and More
 - Husqvarna 359 Chainsaw Workshop Manual Compatibility with Devices
 - Husqvarna 359 Chainsaw Workshop Manual Enhanced eBook Features
- 7. Enhancing Your Reading Experience
 - Adjustable Fonts and Text Sizes of Husqvarna 359 Chainsaw Workshop Manual
 - Highlighting and Note-Taking Husqvarna 359 Chainsaw Workshop Manual
 - Interactive Elements Husqvarna 359 Chainsaw Workshop Manual
- 8. Staying Engaged with Husqvarna 359 Chainsaw Workshop Manual
 - Joining Online Reading Communities
 - Participating in Virtual Book Clubs
 - Following Authors and Publishers Husqvarna 359 Chainsaw Workshop Manual
- 9. Balancing eBooks and Physical Books Husqvarna 359 Chainsaw Workshop Manual
 - Benefits of a Digital Library
 - Creating a Diverse Reading Collection Husqvarna 359 Chainsaw Workshop Manual
- 10. Overcoming Reading Challenges
 - Dealing with Digital Eye Strain
 - Minimizing Distractions
 - Managing Screen Time
- 11. Cultivating a Reading Routine Husqvarna 359 Chainsaw Workshop Manual
 - Setting Reading Goals Husqvarna 359 Chainsaw Workshop Manual
 - Carving Out Dedicated Reading Time
- 12. Sourcing Reliable Information of Husqvarna 359 Chainsaw Workshop Manual
 - Fact-Checking eBook Content of Husqvarna 359 Chainsaw Workshop Manual

- Distinguishing Credible Sources
13. Promoting Lifelong Learning
- Utilizing eBooks for Skill Development
 - Exploring Educational eBooks
14. Embracing eBook Trends
- Integration of Multimedia Elements
 - Interactive and Gamified eBooks

Husqvarna 359 Chainsaw Workshop Manual Introduction

In this digital age, the convenience of accessing information at our fingertips has become a necessity. Whether its research papers, eBooks, or user manuals, PDF files have become the preferred format for sharing and reading documents. However, the cost associated with purchasing PDF files can sometimes be a barrier for many individuals and organizations. Thankfully, there are numerous websites and platforms that allow users to download free PDF files legally. In this article, we will explore some of the best platforms to download free PDFs. One of the most popular platforms to download free PDF files is Project Gutenberg. This online library offers over 60,000 free eBooks that are in the public domain. From classic literature to historical documents, Project Gutenberg provides a wide range of PDF files that can be downloaded and enjoyed on various devices. The website is user-friendly and allows users to search for specific titles or browse through different categories. Another reliable platform for downloading Husqvarna 359 Chainsaw Workshop Manual free PDF files is Open Library. With its vast collection of over 1 million eBooks, Open Library has something for every reader. The website offers a seamless experience by providing options to borrow or download PDF files. Users simply need to create a free account to access this treasure trove of knowledge. Open Library also allows users to contribute by uploading and sharing their own PDF files, making it a collaborative platform for book enthusiasts. For those interested in academic resources, there are websites dedicated to providing free PDFs of research papers and scientific articles. One such website is Academia.edu, which allows researchers and scholars to share their work with a global audience. Users can download PDF files of research papers, theses, and dissertations covering a wide range of subjects. Academia.edu also provides a platform for discussions and networking within the academic community. When it comes to downloading Husqvarna 359 Chainsaw Workshop Manual free PDF files of magazines, brochures, and catalogs, Issuu is a popular choice. This digital publishing platform hosts a vast collection of publications from around the world. Users can search for specific titles or explore various categories and genres. Issuu offers a seamless reading experience with its user-friendly interface and allows users to download PDF files for offline reading. Apart from dedicated platforms, search engines also play a crucial role in finding free PDF files. Google, for

instance, has an advanced search feature that allows users to filter results by file type. By specifying the file type as "PDF," users can find websites that offer free PDF downloads on a specific topic. While downloading Husqvarna 359 Chainsaw Workshop Manual free PDF files is convenient, it's important to note that copyright laws must be respected. Always ensure that the PDF files you download are legally available for free. Many authors and publishers voluntarily provide free PDF versions of their work, but it's essential to be cautious and verify the authenticity of the source before downloading Husqvarna 359 Chainsaw Workshop Manual. In conclusion, the internet offers numerous platforms and websites that allow users to download free PDF files legally. Whether it's classic literature, research papers, or magazines, there is something for everyone. The platforms mentioned in this article, such as Project Gutenberg, Open Library, Academia.edu, and Issuu, provide access to a vast collection of PDF files. However, users should always be cautious and verify the legality of the source before downloading Husqvarna 359 Chainsaw Workshop Manual any PDF files. With these platforms, the world of PDF downloads is just a click away.

FAQs About Husqvarna 359 Chainsaw Workshop Manual Books

1. Where can I buy Husqvarna 359 Chainsaw Workshop Manual books? Bookstores: Physical bookstores like Barnes & Noble, Waterstones, and independent local stores. Online Retailers: Amazon, Book Depository, and various online bookstores offer a wide range of books in physical and digital formats.
2. What are the different book formats available? Hardcover: Sturdy and durable, usually more expensive. Paperback: Cheaper, lighter, and more portable than hardcovers. E-books: Digital books available for e-readers like Kindle or software like Apple Books, Kindle, and Google Play Books.
3. How do I choose a Husqvarna 359 Chainsaw Workshop Manual book to read? Genres: Consider the genre you enjoy (fiction, non-fiction, mystery, sci-fi, etc.). Recommendations: Ask friends, join book clubs, or explore online reviews and recommendations. Author: If you like a particular author, you might enjoy more of their work.
4. How do I take care of Husqvarna 359 Chainsaw Workshop Manual books? Storage: Keep them away from direct sunlight and in a dry environment. Handling: Avoid folding pages, use bookmarks, and handle them with clean hands. Cleaning: Gently dust the covers and pages occasionally.
5. Can I borrow books without buying them? Public Libraries: Local libraries offer a wide range of books for borrowing. Book Swaps: Community book exchanges or online platforms where people exchange books.
6. How can I track my reading progress or manage my book collection? Book Tracking Apps: Goodreads, LibraryThing,

and Book Catalogue are popular apps for tracking your reading progress and managing book collections. Spreadsheets: You can create your own spreadsheet to track books read, ratings, and other details.

7. What are Husqvarna 359 Chainsaw Workshop Manual audiobooks, and where can I find them? Audiobooks: Audio recordings of books, perfect for listening while commuting or multitasking. Platforms: Audible, LibriVox, and Google Play Books offer a wide selection of audiobooks.
8. How do I support authors or the book industry? Buy Books: Purchase books from authors or independent bookstores. Reviews: Leave reviews on platforms like Goodreads or Amazon. Promotion: Share your favorite books on social media or recommend them to friends.
9. Are there book clubs or reading communities I can join? Local Clubs: Check for local book clubs in libraries or community centers. Online Communities: Platforms like Goodreads have virtual book clubs and discussion groups.
10. Can I read Husqvarna 359 Chainsaw Workshop Manual books for free? Public Domain Books: Many classic books are available for free as they're in the public domain. Free E-books: Some websites offer free e-books legally, like Project Gutenberg or Open Library.

Find Husqvarna 359 Chainsaw Workshop Manual :

fiches pour russir licence psychologie

[film encyclopedia 7e](#)

file english intermediate workbook

film style and technology history and analysis

final exam economics paper grade 2014

[fidgety fish lesson plan](#)

~~final exam grade 1 scope for agricultural sciences~~

~~fifth grade reading street www freidalewis com unit 1~~

~~field guide to cookies~~

~~final exam answer for drivers ed flvs~~

financial accounting 1 by valix solution manual 2011

finanacial accounting n5 question paper november 2014

fied green beans recipe

[final exam economics paper 2 for 2014 grade 10](#)

final fantasy crystal chronicals guide

Husqvarna 359 Chainsaw Workshop Manual :

a family guide to map growth nwea - Jan 09 2023

web teachers use map growth scores teachers can use the scores to identify learning areas that their class should focus on as well as monitor the growth of individual students principals and administrators can use the scores to see the performance and progress of a grade level school or the entire district can map growth tell me if my child is

nwea 2020 map growth teach mapnwea org - Aug 16 2023

web first they presume number of score to percentile tables specific to content area and grade in contrast the target population for the map growth norms does not assume that students are all max grades and content areas the set of map growth norms for both achievement status and

growth and norms - Aug 04 2022

web here are some key considerations in terms of accuracy the nwea norms study includes several factors that help to make projections as accurate as possible including how many weeks of instruction students received on average before testing as set in the map preferences for your district or school how high students scored in the first term

nwea map scores by grade level percentiles mastery genius - Oct 18 2023

web dec 16 2022 nwea map scores by grade level percentiles december 16 2022 by mastery genius the nwea map test is an adaptive assessment for k 12 students that covers math reading language usage and science it is one of the most trusted and widely used assessments for primary and secondary educators

normative data rit scores nwea - Mar 31 2022

web nwea uses anonymous assessment data from over 11 million students to create national norms placing your students and schools within a representative national sample by drawing from an incredibly wide pool of anonymized test records pulled from millions of test events from over 24 500 public schools in 5 800 districts spread across all 50

comparative data to inform instructional decisions - Oct 06 2022

web about each chart the grade designations represent beginning of year grade levels the rit scores defining each level are separated by 1 2 standard deviation except for the lowest and highest levels which are set at the 5th and 95th percentiles respectively

default cut scores for map growth reading and mathematics nwea - Apr 12 2023

web levels on map growth for reading and mathematics in grades 3 8 the default cut scores presented in table e 1 were derived from the median rasch unit rit cut scores from published nwea linking studies across 39 states hu 2021 and their

associated percentiles from the 2020 norms thum kuhfeld 2020

2022 norms for map growth course specific tests in integrated nwea - Feb 27 2022

web dec 6 2022 elevating math scores the ongoing success of map accelerator in this brief discover how students who engaged with map accelerator during the 2021 22 school year at the recommended dosage of 30 minutes per

12 common questions parents ask about map growth teach - Jul 03 2022

web oct 21 2021 what is map growth and what does it measure unlike paper and pencil tests where all students are asked the same questions and spend a fixed amount of time taking the test map growth is a computer adaptive test that means every student gets a unique set of test questions based on responses to previous questions

2020 nwea map growth normative data overview - Jul 15 2023

web the nwea 2020 map growth norms study provides achievement status and growth norms for individual students and grade levels within schools in each of the four subject areas reading language usage mathematics and general science the study s results are based on k 12 grade level samples

map growth nwea - Nov 07 2022

web map growth the center of the growth activation solution the growth activation solution pairs map growth with guided implementation and professional learning experiences that engage and galvanize your team while honing assessment literacy

achievement status and growth norms tables for students and schools - Jun 14 2023

web nwea 2020 map growth achievement status and growth norms tables for students and schools yeow meng thum megan kuhfeld april 2020 new location teach mapnwea

how to read map testing scores guide tips 2023 - Sep 05 2022

web nov 13 2023 the map testing scores are calculated using the rit scale which is different from traditional percentage or percentile scores it is a developmental scale that measures growth over time allowing for comparisons of a student s performance across different grade levels

2020 map growth norms overview and faq nwea - Feb 10 2023

web apr 9 2020 if decisions are made on the basis of points on the score scale e g rit instead of percentiles changes in percentiles that almost invariably accompany changes in the norms will be far easier to explain to stakeholders

to raise my hand or to nod along 11 questions about map - Jun 02 2022

web sep 30 2021 1 what is this map growth test again map is an acronym and stands for measures of academic progress map growth is an interim assessment that is a test administered up to three times a year in the fall winter and spring that helps teachers know where students are in their learning

map test practice and map test scores by grade level - May 13 2023

web the charts below are the nwea map rit percentiles fall 2020 norms overall a good score on the map test at any grade level indicates that a student has a strong foundation in the skills and concepts expected for that grade level and is on track to meet academic expectations for their age and grade level

map test scores understanding map scores testprep online - Sep 17 2023

web these nwea reports show the map scores percentiles distribution in fall 2020 based on grade level in order to understand how well a student performed on the test his or her rit score is compared to all of the other results from students in

map test practice 1st grade sample q s tips testprep online - May 01 2022

web according to the most updated data the average rit math scores for 1st grade range from 157 170 at the beginning of the year and 173 186 at the end of the year in reading they range from 153 165 at the beginning of the year and 167 182 at the end to find the most updated information on map 1st grade scores percentiles averages and more

norms for map growth k 2 and 2 5 tests nwea - Mar 11 2023

web jan 7 2022 if a student takes map growth k 2 in the fall and map growth 2 5 in the spring are the norms percentiles and growth projections still valid are there separate norms for 2nd grade students who take map growth k 2 vs 2nd grade students who take map growth 2 5 if a 1st grade student takes the 2 5 test do the norms still apply

a parent s guide to understanding scores on map measures of - Dec 08 2022

web students taking primary map first and second grade usually take 20 to 30 minutes to complete each assessment how are the assessment results used map assessments are used to measure student progress and growth in reading and math

interior fuse box location 2011 ford explorer xlt 3 5l v6 carcarkiosk - Jun 02 2022

web some fords have multiple interior fuse boxes including in the trunk the video will show you where the interior fuse box of your 2011 explorer is located next you need to consult the 2011 ford explorer fuse box diagram to locate the blown fuse if your explorer has many options like a sunroof navigation heated seats etc the more fuses it has

fuse box diagram ford explorer 2016 2019 - Dec 28 2021

web here you will find fuse box diagrams of ford explorer 2016 2017 2018 and 2019 get information about the location of the fuse panels inside the car and learn about the assignment of each fuse fuse layout and relay see other ford explorer ford explorer 1996 2001 ford explorer 2002 2005 ford explorer 2006 2010

fuse box diagram ford explorer 2006 2010 - Mar 31 2022

web here you will find fuse box diagrams of ford explorer 2006 2007 2008 2009 фтв 2010 get information about the location of the fuse panels inside the car and learn about the assignment of each fuse fuse layout and relay

interior fuse check 2011 ford explorer xlt 3 5l v6 carcarkiosk - Nov 07 2022

web the video above shows how to check for blown fuses in the interior fuse box of your 2011 ford explorer and where the

fuse panel diagram is located if your map light stereo heated seats headlights power windows or other electronic components suddenly stop working chances are you have a fuse that has blown out

ford explorer 2010 2015 fuse box cars fuse box diagrams - Jul 03 2022

web jan 4 2023 2010 2011 2012 2013 2014 2015 diagram of the fuse box in the passenger compartment the fuse panel is located below and to the left of the steering wheel next to the brake pedal remove the panel cover to access the fuses to remove the fuse use the fuse removal tool located on the fuse panel cover number

2011 ford explorer fuse box diagram startmycar - Jul 15 2023

web 2011 ford explorer fuse box diagram the 2011 ford explorer has 2 different fuse boxes passenger compartment fuse panel diagram power distribution box diagram ford explorer fuse box diagrams change across years pick the right year of your vehicle

fuses and relays ford explorer 4 u251 2005 2011 car box - Jan 09 2023

web jan 13 2021 information on the diagrams is relevant for ford explorer u251 4th generation 2005 2006 2007 2008 2009 2010 2011 models in the engine compartment the fuse box is located on the right side of the engine compartment behind the

ford explorer from 2010 fuse box diagram auto genius - Feb 10 2023

web aug 20 2015 ford explorer from 2010 fuse box diagram year of production 2010 2011 2012 2013 2014 2015 2016 power distribution box

ford explorer vi 2019 2024 fuse box diagrams schemes - Feb 27 2022

web ford explorer v 2011 2021 fuse box engine compartment fuse box diagram the engine compartment fuse box in explorer vi is under the driver side leaf screen in the engine compartment it has high current fuses that protect your vehicle s main electrical systems from overloads note spare fuse amperage may vary

fuse box location and diagrams ford explorer 2011 2015 - May 13 2023

web jan 26 2019 fuse box location and diagrams ford explorer 2011 2015 see more on our website fuse box info ford ford explo fuse box diagram location and assignment of

▯ **ford explorer from 2010 fuse box diagram fuses guru** - Aug 04 2022

web mar 25 2021 ford explorer from 2010 fuse box diagram jonathan yarden mar 25 2021 5 min read in this article you will find a description of fuses and relays ford with photos of block diagrams and their locations highlighted the cigarette lighter fuse as the most popular thing people look for get tips on blown fuses replacing a fuse and more

2011 ford explorer fuse box diagram wiring service - Jan 29 2022

web locate bad fuse find the fuse that is tied to the bad component 4 use always an intact fuse of the same color ford explorer v fuse box diagrams schemes years of production it could be jammed or computer sending blower motor circuit diagram if

electrical parts in your vehicle are not working the system may have been overloaded

2011 ford explorer fuse diagram rick s free auto repair advice - Mar 11 2023

web aug 8 2021 this 2011 ford explorer fuse box diagram post shows two fuse boxes the battery junction box power distribution box located under the hood and the smart junction box passenger compartment fuse panel there is also an auxiliary relay box there s lots more information on this site for your vehicle to find fuse diagrams click here

[ford explorer 2010 2015 fuse diagram fusecheck com](#) - Jun 14 2023

web fuse box diagram fuse layout location and assignment of fuses and relays ford explorer u502 2010 2011 2012 2013 2014 2015 checking and replacing fuses fuses and circuit breakers protect your vehicle s electrical system from overloading
ford explorer 2011 fuse box fuse box info location diagram - Apr 12 2023

web ford explorer 2011 fuse box info passenger compartment fuse box location the fuse box is located below and to the left of the steering wheel by the brake pedal engine compartment fuse box location the power distribution box is located in the engine compartment fuse box diagram layout passenger compartment fuse box

2011 ford explorer 4wd fuse box diagrams dot report - May 01 2022

web 2011 fuse box dot report provides a detailed list of fuse box diagrams relay information and fuse box location information for the 2011 ford explorer 4wd click on an image to find detailed resources for that fuse box or watch any embedded videos for location information and diagrams for the fuse boxes of your vehicle

fuse box diagram ford explorer 2011 2015 - Aug 16 2023

web here you will find fuse box diagrams of ford explorer 2011 2012 2013 2014 and 2015 get information about the location of the fuse panels inside the car and learn about the assignment of each fuse fuse layout and relay see other ford explorer ford explorer 1996 2001 ford explorer 2002 2005 ford explorer 2006 2010

ford explorer v 2011 2021 fuse box diagrams schemes - Oct 06 2022

web ford explorer v 2011 2021 fuse box diagrams schemes years of production 2011 2012 2013 2014 2015 2016 2017 2018 2019 2020 2021 table of contents passenger compartment fuse panel information about the model related diagrams schemes ford explorer vi 2019 2024 fuse box

ford explorer fuse box diagrams for all years startmycar - Dec 08 2022

web 2011 explorer fuse box diagrams 2010 explorer sport trac fuse box diagrams 2009 explorer fuse box diagrams 2008 explorer fuse box diagrams 2007 explorer fuse box diagrams 2006 explorer fuse box diagrams 2005 explorer

2011 ford explorer fuse box info fuses location diagrams - Sep 05 2022

web 2011 ford explorer fuse box info fuses location diagrams layout fuseboxinfo com index php cars 28 ford 4352 ford explorer 2011 fuses

modern power system planning worldcat org - May 03 2023

web modern power system planning authors x wang j r mcdonald summary provides a comprehensive approach to planning and the reliability calculations of power generation

power systems planning researchgate - Oct 28 2022

web may 21 2019 in book modern music inspired optimization algorithms for electric power systems pp 327 625

a review of power distribution planning in the modern - Sep 07 2023

web apr 1 2015 power distribution planning pdp finds the best locations and sizes of network components to optimize system operation and planning several models and

modern power system planning scispace by typeset - Jan 19 2022

web jan 1 1994 abstract a multi time period combined gas and electricity network optimisation model was developed the optimisation model takes into account the varying nature of

stability constrained optimization for modern power system - Dec 30 2022

web may 19 2023 the role of voltage stability in the power system is crucial for operational applications in this paper voltage stability is investigated using ongoing power flow

modern power system planning semantic scholar - Jul 05 2023

web this paper presents several applications of wien automatic system planning wasp tool to address specific modeling challenges encountered in power system expansion

modern power system planning j r mcdonald x wang - Nov 16 2021

web feature contents modern power system planning covers the area of planning in the electrical supply industry from power station generation to transmission and distribution

modern power system planning amazon com - Apr 21 2022

web jan 1 1994 modern power system planning this work provides a comprehensive approach to the planning and reliability calculations for the expansion of power

modern power system planning xifan wang google books - Jun 23 2022

web title modern power system planning electrical engineering series author xifan wang contributor james rufus mcdonald publisher mcgraw hill 1994

planning operation and control of modern power system with - Apr 02 2023

web the aim of this research topic is to report the latest advancements in planning operation and control optimization of large scale renewable energy generations in modern power

stability constrained optimization for modern power system - Sep 26 2022

web stability constrained optimization for modern power system operation and planning provides the latest research findings to scholars researchers and postgraduate students

power system planning part i basic principles springerlink - Jul 25 2022

web jan 31 2018 abstract power system planning is an activity related to the development of plans for designing and construction of the system and its elements which will satisfy

modern power system planning new ppt slideshare - Dec 18 2021

web aug 6 2017 summary of modern power system planning part one the forecasting of growth of demand for electrical energy the main topic of this chapter is the analysis of

what is power system planning igi global - Mar 21 2022

web environmental agricultural and physical sciences what is power system planning definition of power system planning determine a minimum cost strategy for long

power system planning an overview sciencedirect - Aug 06 2023

web power system planning power system planning compares and selects between scenarios that differ in economic and technical terms wec 2019 from mathematical

towards increasing hosting capacity of modern power systems - Mar 01 2023

web mar 4 2022 in this paper a stochastic power system planning model is proposed to increase the hosting capacity hc of networks and satisfy future load demands ziad

stability constrained optimization for modern power system - Jun 04 2023

web may 16 2023 stability constrained optimization for modern power system operation and planning author s yan xu yuan chi heling yuan first published 16 may 2023

modern power system planning by x f wang goodreads - Jan 31 2023

web jan 1 1994 11 ratings0 reviews modern power system planning covers the area of planning in the electrical supply industry from power station generation to transmission

modern power system planning book etdeweb osti gov - Aug 26 2022

web jan 1 1994 modern power system planning full record book save share export metadata abstract this book covers power supply industry planning from generation to

modern power system planning by james mcdonald open library - May 23 2022

web feb 20 2023 modern power system planning by james mcdonald 1994 mcgraw hill edition in english

modern power system planning google books - Oct 08 2023

web modern power system planning xifan wang james rufus mcdonald mcgraw hill 1994 electric power systems 465 pages

modern power system planning covers the area of planning in the

modern power system planning free download borrow and - Nov 28 2022

web feb 19 2023 modern power system planning publication date 1994 topics electric power plants planning electric power systems planning publisher london

introduction to modern power system planning application - Feb 17 2022

web introduction to modern power system planning in modern power system planning electric energy is an essential ingredient for the industrial and all round development of