

Plates and labels

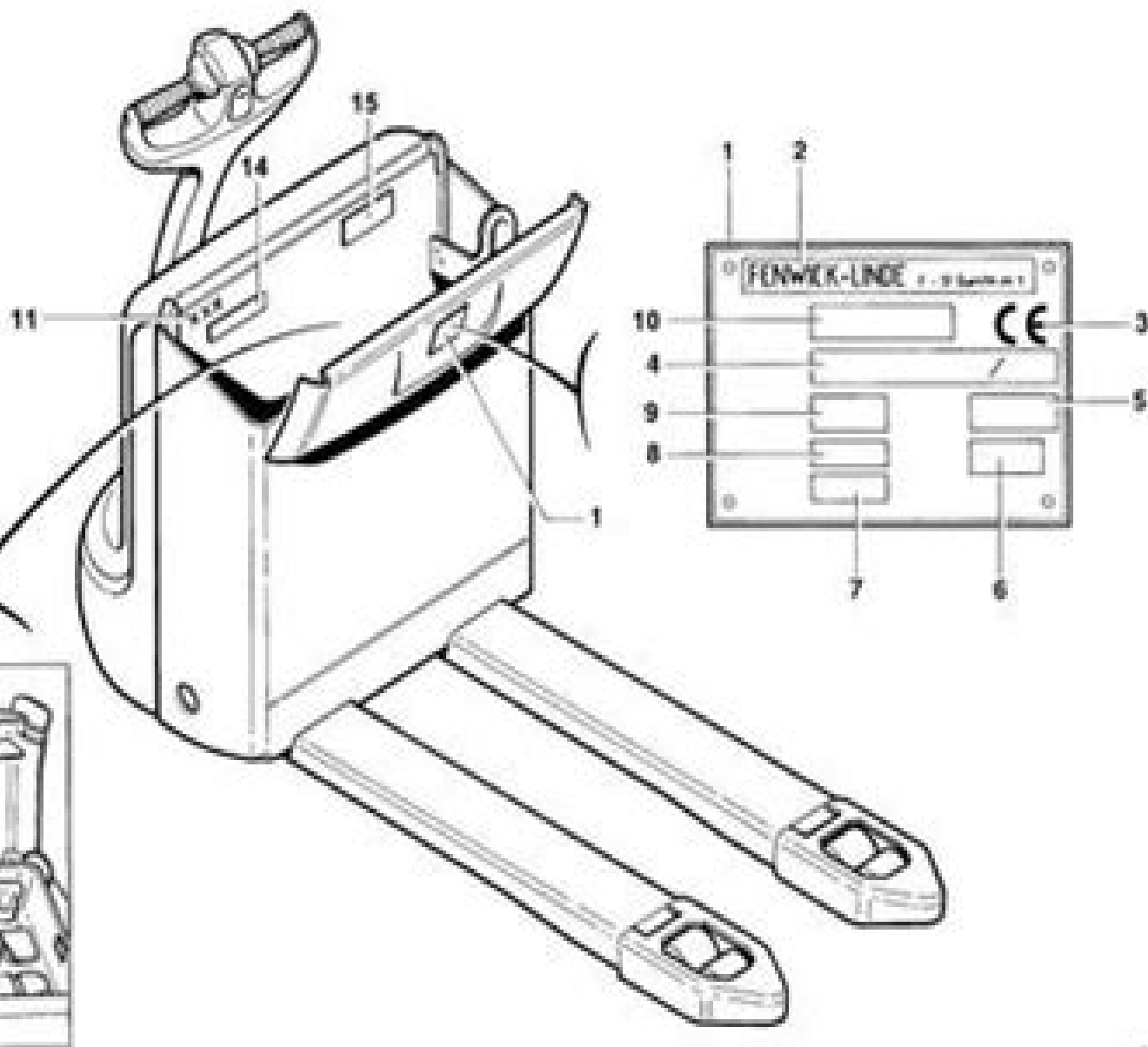
Identification plates

1. Identification plate
2. Manufacturer
3. EC mark
(this plate certifies that the machine conforms to European regulations applicable to handling trucks)
4. Serial number / year
5. Unladen weight
6. Battery voltage
7. Minimum battery weight
8. Maximum battery weight
9. Nominal load capacity of truck
10. Model
11. Manufacturer's number (stamped)

Labels

12. Slings label
13. Battery safety label
(inside cover)
14. Charger label
15. Battery label

Note: regularly check that the equipment in service is fitted with these various plates and labels



Multiton Electric Pallet Jack Parts Manual

DP Hallahan



Multiton Electric Pallet Jack Parts Manual:

Regional Industrial Buying Guide ,2000 Thomas Register of American Manufacturers ,2002 This basic source for identification of U S manufacturers is arranged by product in a large multi volume set Includes Products services Company profiles and Catalog file *Thomas Register of American Manufacturers and Thomas Register Catalog File* ,2002 Vols for 1970 71 includes manufacturers catalogs **Thomas Regional Industrial Buying Guide** ,2003 *Material Handling Engineering* ,1963 T & DM ,1968 **Modern Materials Handling** ,1969 **U.S. Industrial Directory** ,1985
Thomas Grocery Register ,1977 **Farmers and Consumers Market Bulletin** ,2004 *Parts Manual* Caterpillar Inc. Peoria, Ill.,1992 **Clark Parts Manual C500** Clark Equipment Company. Industrial Truck Division,1982 **Parts Manual** Caterpillar Inc. Peoria, Ill.,1994 Parts Manual Caterpillar Inc. Peoria, Ill.,1992

Thank you for reading **Multiton Electric Pallet Jack Parts Manual**. As you may know, people have search numerous times for their favorite books like this Multiton Electric Pallet Jack Parts Manual, but end up in harmful downloads. Rather than enjoying a good book with a cup of tea in the afternoon, instead they cope with some harmful bugs inside their computer.

Multiton Electric Pallet Jack Parts Manual is available in our book collection an online access to it is set as public so you can get it instantly.

Our digital library hosts in multiple locations, allowing you to get the most less latency time to download any of our books like this one.

Merely said, the Multiton Electric Pallet Jack Parts Manual is universally compatible with any devices to read

https://staging.conocer.cide.edu/data/browse/default.aspx/Mercury_Classic_50_Hp_Outboard_Service_Manual.pdf

Table of Contents Multiton Electric Pallet Jack Parts Manual

1. Understanding the eBook Multiton Electric Pallet Jack Parts Manual
 - The Rise of Digital Reading Multiton Electric Pallet Jack Parts Manual
 - Advantages of eBooks Over Traditional Books
2. Identifying Multiton Electric Pallet Jack Parts Manual
 - Exploring Different Genres
 - Considering Fiction vs. Non-Fiction
 - Determining Your Reading Goals
3. Choosing the Right eBook Platform
 - Popular eBook Platforms
 - Features to Look for in an Multiton Electric Pallet Jack Parts Manual
 - User-Friendly Interface
4. Exploring eBook Recommendations from Multiton Electric Pallet Jack Parts Manual
 - Personalized Recommendations

- Multiton Electric Pallet Jack Parts Manual User Reviews and Ratings
- Multiton Electric Pallet Jack Parts Manual and Bestseller Lists
- 5. Accessing Multiton Electric Pallet Jack Parts Manual Free and Paid eBooks
 - Multiton Electric Pallet Jack Parts Manual Public Domain eBooks
 - Multiton Electric Pallet Jack Parts Manual eBook Subscription Services
 - Multiton Electric Pallet Jack Parts Manual Budget-Friendly Options
- 6. Navigating Multiton Electric Pallet Jack Parts Manual eBook Formats
 - ePub, PDF, MOBI, and More
 - Multiton Electric Pallet Jack Parts Manual Compatibility with Devices
 - Multiton Electric Pallet Jack Parts Manual Enhanced eBook Features
- 7. Enhancing Your Reading Experience
 - Adjustable Fonts and Text Sizes of Multiton Electric Pallet Jack Parts Manual
 - Highlighting and Note-Taking Multiton Electric Pallet Jack Parts Manual
 - Interactive Elements Multiton Electric Pallet Jack Parts Manual
- 8. Staying Engaged with Multiton Electric Pallet Jack Parts Manual
 - Joining Online Reading Communities
 - Participating in Virtual Book Clubs
 - Following Authors and Publishers Multiton Electric Pallet Jack Parts Manual
- 9. Balancing eBooks and Physical Books Multiton Electric Pallet Jack Parts Manual
 - Benefits of a Digital Library
 - Creating a Diverse Reading Collection Multiton Electric Pallet Jack Parts Manual
- 10. Overcoming Reading Challenges
 - Dealing with Digital Eye Strain
 - Minimizing Distractions
 - Managing Screen Time
- 11. Cultivating a Reading Routine Multiton Electric Pallet Jack Parts Manual
 - Setting Reading Goals Multiton Electric Pallet Jack Parts Manual
 - Carving Out Dedicated Reading Time
- 12. Sourcing Reliable Information of Multiton Electric Pallet Jack Parts Manual
 - Fact-Checking eBook Content of Multiton Electric Pallet Jack Parts Manual

- Distinguishing Credible Sources
- 13. Promoting Lifelong Learning
 - Utilizing eBooks for Skill Development
 - Exploring Educational eBooks
- 14. Embracing eBook Trends
 - Integration of Multimedia Elements
 - Interactive and Gamified eBooks

Multiton Electric Pallet Jack Parts Manual Introduction

Multiton Electric Pallet Jack Parts Manual Offers over 60,000 free eBooks, including many classics that are in the public domain. Open Library: Provides access to over 1 million free eBooks, including classic literature and contemporary works. Multiton Electric Pallet Jack Parts Manual Offers a vast collection of books, some of which are available for free as PDF downloads, particularly older books in the public domain. Multiton Electric Pallet Jack Parts Manual : This website hosts a vast collection of scientific articles, books, and textbooks. While it operates in a legal gray area due to copyright issues, its a popular resource for finding various publications. Internet Archive for Multiton Electric Pallet Jack Parts Manual : Has an extensive collection of digital content, including books, articles, videos, and more. It has a massive library of free downloadable books. Free-eBooks Multiton Electric Pallet Jack Parts Manual Offers a diverse range of free eBooks across various genres. Multiton Electric Pallet Jack Parts Manual Focuses mainly on educational books, textbooks, and business books. It offers free PDF downloads for educational purposes. Multiton Electric Pallet Jack Parts Manual Provides a large selection of free eBooks in different genres, which are available for download in various formats, including PDF. Finding specific Multiton Electric Pallet Jack Parts Manual, especially related to Multiton Electric Pallet Jack Parts Manual, might be challenging as theyre often artistic creations rather than practical blueprints. However, you can explore the following steps to search for or create your own Online Searches: Look for websites, forums, or blogs dedicated to Multiton Electric Pallet Jack Parts Manual, Sometimes enthusiasts share their designs or concepts in PDF format. Books and Magazines Some Multiton Electric Pallet Jack Parts Manual books or magazines might include. Look for these in online stores or libraries. Remember that while Multiton Electric Pallet Jack Parts Manual, sharing copyrighted material without permission is not legal. Always ensure youre either creating your own or obtaining them from legitimate sources that allow sharing and downloading. Library Check if your local library offers eBook lending services. Many libraries have digital catalogs where you can borrow Multiton Electric Pallet Jack Parts Manual eBooks for free, including popular titles. Online Retailers: Websites like Amazon, Google Books, or Apple Books often sell eBooks. Sometimes, authors or publishers offer promotions or free periods

for certain books. Authors Website Occasionally, authors provide excerpts or short stories for free on their websites. While this might not be the Multiton Electric Pallet Jack Parts Manual full book, it can give you a taste of the authors writing style. Subscription Services Platforms like Kindle Unlimited or Scribd offer subscription-based access to a wide range of Multiton Electric Pallet Jack Parts Manual eBooks, including some popular titles.

FAQs About Multiton Electric Pallet Jack Parts Manual Books

What is a Multiton Electric Pallet Jack Parts Manual PDF? A PDF (Portable Document Format) is a file format developed by Adobe that preserves the layout and formatting of a document, regardless of the software, hardware, or operating system used to view or print it. **How do I create a Multiton Electric Pallet Jack Parts Manual PDF?** There are several ways to create a PDF: Use software like Adobe Acrobat, Microsoft Word, or Google Docs, which often have built-in PDF creation tools. Print to PDF: Many applications and operating systems have a "Print to PDF" option that allows you to save a document as a PDF file instead of printing it on paper. Online converters: There are various online tools that can convert different file types to PDF. **How do I edit a Multiton Electric Pallet Jack Parts Manual PDF?** Editing a PDF can be done with software like Adobe Acrobat, which allows direct editing of text, images, and other elements within the PDF. Some free tools, like PDFescape or Smallpdf, also offer basic editing capabilities. **How do I convert a Multiton Electric Pallet Jack Parts Manual PDF to another file format?** There are multiple ways to convert a PDF to another format: Use online converters like Smallpdf, Zamzar, or Adobe Acrobats export feature to convert PDFs to formats like Word, Excel, JPEG, etc. Software like Adobe Acrobat, Microsoft Word, or other PDF editors may have options to export or save PDFs in different formats. **How do I password-protect a Multiton Electric Pallet Jack Parts Manual PDF?** Most PDF editing software allows you to add password protection. In Adobe Acrobat, for instance, you can go to "File" -> "Properties" -> "Security" to set a password to restrict access or editing capabilities. Are there any free alternatives to Adobe Acrobat for working with PDFs? Yes, there are many free alternatives for working with PDFs, such as: LibreOffice: Offers PDF editing features. PDFsam: Allows splitting, merging, and editing PDFs. Foxit Reader: Provides basic PDF viewing and editing capabilities. **How do I compress a PDF file?** You can use online tools like Smallpdf, ILovePDF, or desktop software like Adobe Acrobat to compress PDF files without significant quality loss. Compression reduces the file size, making it easier to share and download. **Can I fill out forms in a PDF file?** Yes, most PDF viewers/editors like Adobe Acrobat, Preview (on Mac), or various online tools allow you to fill out forms in PDF files by selecting text fields and entering information. **Are there any restrictions when working with PDFs?** Some PDFs might have restrictions set by their creator, such as password protection, editing restrictions, or print restrictions. Breaking these restrictions might require specific software or tools, which may or

may not be legal depending on the circumstances and local laws.

Find Multiton Electric Pallet Jack Parts Manual :

mercury classic 50 hp outboard service manual

mercruiser riser water flow diagram

[mercury outboard 75 parts user manual](#)

[mercruiser bravo sterndrives full service repair manual 1998 2002](#)

[mercury 496 smartcraft wiring help](#)

[mercury 700 70 hp manual](#)

mercury 25 hp outboard parts

[mercury 200 hp outboard manual](#)

[mercury mariner outboard operators owner manual](#)

mercruiser thunderbolt ignition manual

[mercury 120 hp 3 cylinder outboard](#)

mercruiser trim pump troubleshooting

mercury mariner outboard motor service manual repair 45hp to 220hp 1977 1989

[mercury outboard 90 hp repair manual](#)

mercury 25hp 2006

Multiton Electric Pallet Jack Parts Manual :

Bust: Greece, the Euro and the Sovereign Debt Crisis In Bust: Greece, the Euro, and the Sovereign Debt Crisis, Bloomberg columnist Matthew Lynn explores Greece's spectacular rise and fall from grace and the global ... Bust: Greece, the Euro and the Sovereign Debt Crisis A country with a history of revolution and dictatorship hovered on the brink of collapse—with the world's financial markets watching to see if the deal cobbled ... Bust: Greece, the Euro and the Sovereign Debt Crisis Bust is a story of government deceit, unfettered spending, and cheap borrowing: a tale of financial folly to rank alongside the greatest in history. It charts ... Bust: Greece, the Euro and the Sovereign Debt Crisis Bust: Greece, the Euro and the Sovereign Debt Crisis. By Matthew Lynn. About this book · Get Textbooks on Google Play. Rent and save from the world's ... Bust: Greece, the Euro and the Sovereign Debt Crisis ... Bust: Greece, the Euro and the Sovereign Debt Crisis (Bloomberg (UK)) By Matthew Lynn ; Hardcover. See all details ; Important information. To report an issue ... Bust Greece, the Euro and

the Sovereign Debt Crisis Journalist Matthew Lynn dissects the origins of Greece's debt crisis and relates how the dream of a united Europe has led to what he predicts is the euro's ... Bust : : Greece, the Euro, and the sovereign debt crisis / Bust: Greece, the Euro, and the Sovereign Debt Crisis is a story of government deceit, unfettered spending, and cheap borrowing. As well as charting Greece's ... Bust : Greece, the euro, and the sovereign debt crisis ... Bust : Greece, the euro, and the sovereign debt crisis / Matthew Lynn ; Author: Lynn, Matthew ; Collect From: Main Reading Room ; Call Number: YY 2011-3143. Copy: ... Bust: Greece, the Euro, and the Sovereign Debt Crisis May 1, 2011 — He believes that the debt contagion is likely to spread to Italy, Spain, and Portugal; that eventually the euro must collapse; and that Europe's ... Bust Greece, the euro, and the sovereign debt crisis In 2001, Greece saw its application for membership into the Eurozone accepted, and the country sat down to the greatest free lunch in economic history. Please click here to download the lyrics Written and performed by Jannah Bolin (Leader In Music) to the tune of ... With the 7 Habits You WILL be a leader For the rest Of your life. 2) Seek first to ... Jannah Bolin 7 Habits Mar 16, 2018 — Jannah Bolin 7 Habits Lyrics: YOU CAN HAVE IT ALLLLLLLLLLLLLLLLLLLLLLLLLLL WITH DA SEVAN HABBATSSSSSSSSSSSSSSSSSSSSSS. 7 Habits Song {Adele} + NonFiction Text Features Rap Jul 20, 2013 — This is a middle-schooler, Jannah Bolin, singing a 7 Habits song to Adele....y'all - she's going to be famous one day! AMAZING!! Nothing ... The 7 Habits Song: Jannah Bolin - Vimeo You Can Have It All With the Seven Habits by Jannah Bolin Jul 27, 2012 — ... Jannah rewrote lyrics to Rolling In The Deep by Adele to incorporate the Seven Hab... Less. Melinda Boggs · Leader In Me · Seven Habits. The Meaning Behind The Song: Jannah Bolin 7 Habits Sep 30, 2023 — Through its captivating lyrics and mesmerizing melodies, this song touches upon the importance of self-improvement, personal growth, and finding ... 7 Habits Songs Sep 7, 2020 — Begin with the end in mind, end in mind, end in mind,. Begin with the end in mind or you will be behind! Then you have to make a plan, make a ... Jannah Bolin Sings The 7 Habits Chords Chords: Cm, Bb, Ab. Chords for Jannah Bolin Sings The 7 Habits. Chordify gives you the chords for any song. Self-Help Skills for People with Autism SELF-HELP SKILLS FOR PEOPLE WITH AUTISM thoroughly describes a systematic approach that parents and educators can use to teach basic self-care to children, ages ... A Review of Self-Help Skills for People with Autism by KD Lucker · 2009 · Cited by 12 — The book, Self-help skills for people with autism: A systematic teaching approach, by Anderson and colleagues, provides parents and professionals with a ... Self-Help Skills for People with Autism: A Systematic ... SELF-HELP SKILLS FOR PEOPLE WITH AUTISM thoroughly describes a systematic approach that parents and educators can use to teach basic self-care to children, ages ... Self-Help Skills for People with Autism: A Systematic ... Self-Help Skills for People with Autism: A Systematic Teaching Approach (Topics in Autism) by Stephen R. Anderson (2007-08-22) [unknown author] on ... Self-help Skills for People with Autism: A Systematic ... Thoroughly describes a systematic, practical approach that parents (and educators) can use to teach basic self-care ? eating, dressing, toileting and ... Self-Help Skills for People with Autism: A Systematic ... Self-Help Skills for People with Autism: A Systematic Teaching

Approach (Topics in Autism) by Stephen R. Anderson; Amy L. Jablonski; Vicki Madaus Knapp; ... Self-Help Skills for People with Autism: A Systematic ... SELF-HELP SKILLS FOR PEOPLE WITH AUTISM thoroughly describes a systematic approach that parents and educators can use to teach basic self-care to children, ages ... Self-help skills for people with autism : a systematic teaching ... Self-help skills for people with autism : a systematic teaching approach ... Anderson, Stephen R. Series. Topics in autism. Published. Bethesda, MD : Woodbine ... Self-Help Skills for People with Autism: A Systematic ... Self-Help Skills for People with Autism: A Systematic Teaching Approach (- GOOD ; Item Number. 265769074781 ; Brand. Unbranded ; Book Title. Self-Help Skills for ... Self-Help Skills for People with Autism: A Systematic ... Title : Self-Help Skills for People with Autism: A Systematic Teaching Approach (Topics in Autism). Publisher : Woodbine House. First Edition : False.