

# IDEAL CLASSIC

## NF 30, NF 40, NF 50, NF 60, NF 70 & NF 80

### Wall Mounted, Fanned, Balanced Flue Gas Boilers.

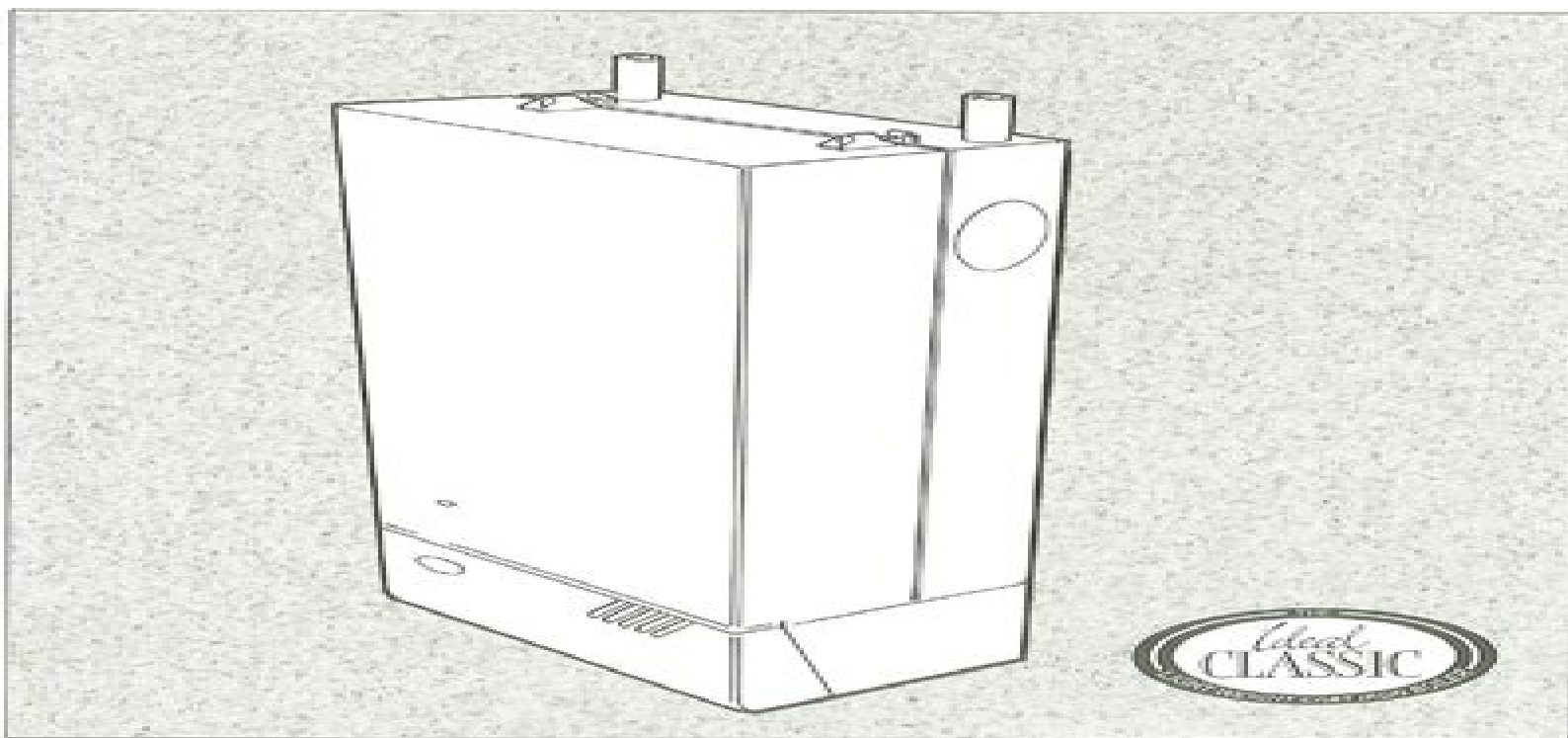
### Installation & Servicing.

**CAUTION:** To avoid the possibility of injury during the installation, servicing or cleaning of this appliance, care should be taken when handling edges of sheet steel components.

**IMPORTANT:** This appliance is for use with  
**NATURAL GAS ONLY.**

#### Ideal Classic

NF 30	.....	G.C. Appliance No.	41 429 30
NF 40	.....		41 429 31
NF 50	.....		41 429 32
NF 60	.....		41 429 33
NF 70	.....		41 429 77
NF 80	.....		41 429 34



**NOTE TO THE INSTALLER:** LEAVE THESE INSTRUCTIONS ADJACENT TO THE GAS METER



# Ideal Classic Nf 240 Manual

**Jicheng Xie**



**Ideal Classic Nf 240 Manual:**

Delve into the emotional tapestry woven by Emotional Journey with in Dive into the Emotion of **Ideal Classic Nf 240 Manual** . This ebook, available for download in a PDF format ( Download in PDF: \*), is more than just words on a page; itis a journey of connection and profound emotion. Immerse yourself in narratives that tug at your heartstrings. Download now to experience the pulse of each page and let your emotions run wild.

[https://staging.conocer.cide.edu/book/Resources/HomePages/Frankenstein\\_Study\\_Guide\\_Questions\\_To\\_The\\_Letters.pdf](https://staging.conocer.cide.edu/book/Resources/HomePages/Frankenstein_Study_Guide_Questions_To_The_Letters.pdf)

## **Table of Contents Ideal Classic Nf 240 Manual**

1. Understanding the eBook Ideal Classic Nf 240 Manual
  - The Rise of Digital Reading Ideal Classic Nf 240 Manual
  - Advantages of eBooks Over Traditional Books
2. Identifying Ideal Classic Nf 240 Manual
  - Exploring Different Genres
  - Considering Fiction vs. Non-Fiction
  - Determining Your Reading Goals
3. Choosing the Right eBook Platform
  - Popular eBook Platforms
  - Features to Look for in an Ideal Classic Nf 240 Manual
  - User-Friendly Interface
4. Exploring eBook Recommendations from Ideal Classic Nf 240 Manual
  - Personalized Recommendations
  - Ideal Classic Nf 240 Manual User Reviews and Ratings
  - Ideal Classic Nf 240 Manual and Bestseller Lists
5. Accessing Ideal Classic Nf 240 Manual Free and Paid eBooks
  - Ideal Classic Nf 240 Manual Public Domain eBooks
  - Ideal Classic Nf 240 Manual eBook Subscription Services
  - Ideal Classic Nf 240 Manual Budget-Friendly Options

6. Navigating Ideal Classic Nf 240 Manual eBook Formats
  - ePub, PDF, MOBI, and More
  - Ideal Classic Nf 240 Manual Compatibility with Devices
  - Ideal Classic Nf 240 Manual Enhanced eBook Features
7. Enhancing Your Reading Experience
  - Adjustable Fonts and Text Sizes of Ideal Classic Nf 240 Manual
  - Highlighting and Note-Taking Ideal Classic Nf 240 Manual
  - Interactive Elements Ideal Classic Nf 240 Manual
8. Staying Engaged with Ideal Classic Nf 240 Manual
  - Joining Online Reading Communities
  - Participating in Virtual Book Clubs
  - Following Authors and Publishers Ideal Classic Nf 240 Manual
9. Balancing eBooks and Physical Books Ideal Classic Nf 240 Manual
  - Benefits of a Digital Library
  - Creating a Diverse Reading Collection Ideal Classic Nf 240 Manual
10. Overcoming Reading Challenges
  - Dealing with Digital Eye Strain
  - Minimizing Distractions
  - Managing Screen Time
11. Cultivating a Reading Routine Ideal Classic Nf 240 Manual
  - Setting Reading Goals Ideal Classic Nf 240 Manual
  - Carving Out Dedicated Reading Time
12. Sourcing Reliable Information of Ideal Classic Nf 240 Manual
  - Fact-Checking eBook Content of Ideal Classic Nf 240 Manual
  - Distinguishing Credible Sources
13. Promoting Lifelong Learning
  - Utilizing eBooks for Skill Development
  - Exploring Educational eBooks
14. Embracing eBook Trends
  - Integration of Multimedia Elements

- Interactive and Gamified eBooks

## **Ideal Classic Nf 240 Manual Introduction**

In the digital age, access to information has become easier than ever before. The ability to download Ideal Classic Nf 240 Manual has revolutionized the way we consume written content. Whether you are a student looking for course material, an avid reader searching for your next favorite book, or a professional seeking research papers, the option to download Ideal Classic Nf 240 Manual has opened up a world of possibilities. Downloading Ideal Classic Nf 240 Manual provides numerous advantages over physical copies of books and documents. Firstly, it is incredibly convenient. Gone are the days of carrying around heavy textbooks or bulky folders filled with papers. With the click of a button, you can gain immediate access to valuable resources on any device. This convenience allows for efficient studying, researching, and reading on the go. Moreover, the cost-effective nature of downloading Ideal Classic Nf 240 Manual has democratized knowledge. Traditional books and academic journals can be expensive, making it difficult for individuals with limited financial resources to access information. By offering free PDF downloads, publishers and authors are enabling a wider audience to benefit from their work. This inclusivity promotes equal opportunities for learning and personal growth. There are numerous websites and platforms where individuals can download Ideal Classic Nf 240 Manual. These websites range from academic databases offering research papers and journals to online libraries with an expansive collection of books from various genres. Many authors and publishers also upload their work to specific websites, granting readers access to their content without any charge. These platforms not only provide access to existing literature but also serve as an excellent platform for undiscovered authors to share their work with the world. However, it is essential to be cautious while downloading Ideal Classic Nf 240 Manual. Some websites may offer pirated or illegally obtained copies of copyrighted material. Engaging in such activities not only violates copyright laws but also undermines the efforts of authors, publishers, and researchers. To ensure ethical downloading, it is advisable to utilize reputable websites that prioritize the legal distribution of content. When downloading Ideal Classic Nf 240 Manual, users should also consider the potential security risks associated with online platforms. Malicious actors may exploit vulnerabilities in unprotected websites to distribute malware or steal personal information. To protect themselves, individuals should ensure their devices have reliable antivirus software installed and validate the legitimacy of the websites they are downloading from. In conclusion, the ability to download Ideal Classic Nf 240 Manual has transformed the way we access information. With the convenience, cost-effectiveness, and accessibility it offers, free PDF downloads have become a popular choice for students, researchers, and book lovers worldwide. However, it is crucial to engage in ethical downloading practices and prioritize personal security when utilizing online platforms. By doing so, individuals can make the most of the vast array of free PDF resources available and embark on a journey of continuous

learning and intellectual growth.

### **FAQs About Ideal Classic Nf 240 Manual Books**

How do I know which eBook platform is the best for me? Finding the best eBook platform depends on your reading preferences and device compatibility. Research different platforms, read user reviews, and explore their features before making a choice. Are free eBooks of good quality? Yes, many reputable platforms offer high-quality free eBooks, including classics and public domain works. However, make sure to verify the source to ensure the eBook credibility. Can I read eBooks without an eReader? Absolutely! Most eBook platforms offer webbased readers or mobile apps that allow you to read eBooks on your computer, tablet, or smartphone. How do I avoid digital eye strain while reading eBooks? To prevent digital eye strain, take regular breaks, adjust the font size and background color, and ensure proper lighting while reading eBooks. What the advantage of interactive eBooks? Interactive eBooks incorporate multimedia elements, quizzes, and activities, enhancing the reader engagement and providing a more immersive learning experience. Ideal Classic Nf 240 Manual is one of the best book in our library for free trial. We provide copy of Ideal Classic Nf 240 Manual in digital format, so the resources that you find are reliable. There are also many Ebooks of related with Ideal Classic Nf 240 Manual. Where to download Ideal Classic Nf 240 Manual online for free? Are you looking for Ideal Classic Nf 240 Manual PDF? This is definitely going to save you time and cash in something you should think about. If you trying to find then search around for online. Without a doubt there are numerous these available and many of them have the freedom. However without doubt you receive whatever you purchase. An alternate way to get ideas is always to check another Ideal Classic Nf 240 Manual. This method for see exactly what may be included and adopt these ideas to your book. This site will almost certainly help you save time and effort, money and stress. If you are looking for free books then you really should consider finding to assist you try this. Several of Ideal Classic Nf 240 Manual are for sale to free while some are payable. If you arent sure if the books you would like to download works with for usage along with your computer, it is possible to download free trials. The free guides make it easy for someone to free access online library for download books to your device. You can get free download on free trial for lots of books categories. Our library is the biggest of these that have literally hundreds of thousands of different products categories represented. You will also see that there are specific sites catered to different product types or categories, brands or niches related with Ideal Classic Nf 240 Manual. So depending on what exactly you are searching, you will be able to choose e books to suit your own need. Need to access completely for Campbell Biology Seventh Edition book? Access Ebook without any digging. And by having access to our ebook online or by storing it on your computer, you have convenient answers with Ideal Classic Nf 240 Manual To get started finding Ideal Classic Nf 240 Manual, you are right to

find our website which has a comprehensive collection of books online. Our library is the biggest of these that have literally hundreds of thousands of different products represented. You will also see that there are specific sites catered to different categories or niches related with Ideal Classic Nf 240 Manual So depending on what exactly you are searching, you will be able to choose ebook to suit your own need. Thank you for reading Ideal Classic Nf 240 Manual. Maybe you have knowledge that, people have search numerous times for their favorite readings like this Ideal Classic Nf 240 Manual, but end up in harmful downloads. Rather than reading a good book with a cup of coffee in the afternoon, instead they juggled with some harmful bugs inside their laptop. Ideal Classic Nf 240 Manual is available in our book collection an online access to it is set as public so you can download it instantly. Our digital library spans in multiple locations, allowing you to get the most less latency time to download any of our books like this one. Merely said, Ideal Classic Nf 240 Manual is universally compatible with any devices to read.

### **Find Ideal Classic Nf 240 Manual :**

*frankenstein study guide questions to the letters*

[foundations in personal finance answers chapter 9](#)

**four in the morning kindle edition christi goddard**

[foundations of electromagnetic theory 4 solutions manual](#)

**foundations in personal finance chapter 4 review answers case studies**

**franccedilois dagognet meacutedecin et philosophe**

**fox in socks dr seuss green back book dr seuss**

[fourth grade math pacing guide](#)

*frankenstein study guide questions answers*

[four ps of service design](#)

[foundations of financial management 15th edition problems](#)

[foundation analysis and design bowles solution manual](#)

**frankenstein word search 1**

[fossweb populations and ecosystems](#)

**foundation analysis and design bowles 5th edition**



**Ideal Classic Nf 240 Manual :****psychopathologie du travail researchgate** - Mar 07 2022

web la psychopathologie du travail est à l'intersection de plusieurs disciplines médicale sociologique psychologique ergonomique et juridique la psychopathologie du travail investigate plusieurs champs philosophique psychanalytique économique modalités de l'accompagnement les plus du réseau souffrance travail

**psychopathologie du travail christophe dejours isabelle gernet** - Nov 15 2022

web l'institut de recherche en psychodynamique du travail ipdt se donne pour objectif d'approfondir les connaissances en psychopathologie et psychodynamique du travail et de poursuivre les recherches organisées depuis plus de quarante ans au cnam à l'origine au sein du laboratoire d'ergonomie 1975 1990 ultérieurement dans le laboratoire de ps

**psychopathologie du travail souffrance travail thérapie** - Jan 05 2022**spécialisation en psychopathologie du travail ipdt** - Feb 06 2022

web psychopathologie du travail cette formation à pour ambition de renforcer vos connaissances en matière de santé psychique en lien avec les situations de travail cela dans le but d'améliorer votre capacité d'évaluation de la pathologie et le processus d'orientation ainsi que de connaître le réseau de prise en charge en santé mentale au

*psychopathologie du travail christophe dejours isabelle gernet* - May 09 2022

web aug 1 2005 raix a mignée c psychopathologie du travail et du chômage encycl méd chir elsevier sas paris psychiat rie 37 886 a 10 1995 8

**psychopathologie du travail livre 9782294744594** - Feb 18 2023

web psychopathologie du travail book 2012 authors christophe dejours and isabelle gernet about the book browse this book by table of contents book description comment comprendre l'apparition de décompensations psychopathologiques en lien avec le travail

**psychodynamique et psychopathologie du travail formation** - Jul 11 2022

web jan 1 2012 psychopathologie du travail christophe dejours isabelle gernet elsevier masson jan 1 2012 medical 168 pages comment comprendre l'apparition de décompensations psychopathologiques en lien avec le travail rapports entre santé mentale et travail en psychopathologie du travail

*ipdt institut psychodynamique du travail accueil* - Sep 13 2022

web psychopathologie du travail intitulé de la formation type modalité s lieu x intitulé de la formation licence sciences humaines et sociales mention sciences sociales parcours travail clinique du travail et psychologie type diplôme national deust licence master doctorat diplôme d'état

*isabelle billiard santé mentale et travail l émergence de la - Jun 10 2022*

web la psychopathologie du travail hÉlÈne vaillÉ sciences humaines n 144 décembre 2003 quels sont ses objets quelle est son histoire quel est son regard sur la santé mentale quels sont ses moyens d action quels sont ses objets

psychopathologie du travail liste de lecture 53251780 cairn info - Aug 24 2023

web jan 6 2023 troubles psychiatriques rencontrés en consultation de psychopathologie du travail au centre hospitalier universitaire d angers angélique ragot marie pierre guiho bailly maurice tanguy bénédicte gohier jean bernard garré yves roquelaure

**travail et santé mentale approches cliniques** - Mar 19 2023

web description synthétisant tous les aspects théoriques de la psychopathologie au travail cet ouvrage de référence vous permet de comprendre les rapports entre santé mentale et travail cependant la compréhension des décompensations psychopathologiques liées au travail nécessite de disposer de données précises concernant la

**psychopathologie et psychodynamique du travail sciencedirect** - Aug 12 2022

web Éclipsée pendant une vingtaine d années par les théories structuralistes peu soucieuses d explorer les processus subjectifs à l œuvre dans l activité de travail la psychopathologie du travail ou psychodynamique du travail connaît aujourd'hui un profond renouvellement avec pour toile de fond le fécond débat qui s est

*formation mdt idest psychopathologie du travail asti* - Dec 04 2021

psychopathologie du travail sciencedirect - Jul 23 2023

web aug 1 2005 la psychopathologie du travail se préoccupe de la santé mentale des personnes qui travaillent du point de vue du médecin généraliste et d une manière plus générale du thérapeute qui reçoit individuellement dans son cabinet la psychopathologie du travail contient une contradiction

**psychopathologie et psychodynamique du travail** - May 21 2023

web méthodologie et théorie en psychopathologie du travail 46il est clair que la psychopathologie du travail s appuie sur un modèle de l homme et de la subjectivité qui est emprunté à la psychanalyse ce modèle est en permanence sous jacent dans l enquête et dans le travail d interprétation dans la mesure où ce dernier s

**psychopathologie du travail sciencedirect** - Dec 16 2022

web présentiel soir ou samedi lieu x auvergne rhône alpes bretagne guadeloupe hauts de france ile de france sans paris nouvelle aquitaine occitanie paris pays de la loire intitulé de la formation psychodynamique et psychopathologie du travail type

**psychopathologie du travail renouveler les pratiques de** - Jun 22 2023

web sep 1 2005 la psychologie du travail convoquée par cette démarche compréhensive est une science clinique du fonctionnement psychique du sujet en situation de travail la psychopathologie du travail a pour objet l analyse de la souffrance psychique résultant de la confrontation des hommes à l organisation du travail 13 au plus près de l  
[psychopathologie du travail sciencedirect](#) - Jan 17 2023

web jan 12 2016 ce livre de référence vous présente les fondements historiques et conceptuels du rapport subjectif au travail les principales entités psychopathologiques associées complétées d une  
**la méthodologie en psychopathologie du travail cairn info** - Apr 20 2023

web cet article est consacré aux approches cliniques du travail en france telles qu elles se sont développées depuis les années 1950 il aborde succinctement les premières recherches en psychopathologie du travail puis quelques concepts clés en psychodynamique du travail et en clinique de l activité  
[psychopathologie du travail formation cnam](#) - Oct 14 2022

web sep 1 2005 au delà des modalités d investigation des manifestations pathologiques ou de prévention des risques professionnels c est le regard porté sur l homme au travail qui structurera toute démarche d élucidation des liens entre psychisme travail et santé  
**la psychopathologie du travail sciences humaines** - Apr 08 2022

web refusement versagung versus perlaboration durcharbeitung dans la méthode analytique en psychopathologie du travail autonomie subjective versus psychodynamique de la reconnaissance écouter les dimensions collectives du travail psychanalyse refusement renoncement sublimation corps psychosomatique psychopathologie du travail  
[fiqh us sunnah english sayid sabiq islamhouse com](#) - Mar 18 2023

web fiqh us sunnah this is a translated version of the book fiqh al sunnah authored by sh sayyed sabeq may allah have mercy on him the book is considered one of the contemporary fiqh books which is characterized by simple explanation and smooth style

*mapping shari a fiqh us sunnah book on acts of worship* - Mar 06 2022

web fiqh us sunnah is available in its original arabic at kitab klasik islam which contains an online library of islamic reference books the other texts surveyed by the mapping shari a project are also available there

**fiqh al sunnah by sayyid sabiq arabic 4 volumes set kitaabun** - Jul 10 2022

web sayyid sabiq 1915 2000 c e wrote the book in arabic at the request of imam hassan al banna the founder of the muslim brotherhood ikhwan every fiqh ruling in the book goes back to the qur an and sunnah and sabiq dealt with all four madhahib objectively with no preferential treatment to any

**fiqh us sunnah 3 vol set arabic language online islamic book** - Jan 16 2023

web the three book series fiqh us sunnah is contain islamic law based on the prophet muhammad s pbuh teachings fiqh us sunnah by sayyid sabiq a notable islamic scholar addresses all aspects of fiqh giving readers a complete grasp of the practical application of islamic teachings in various areas of life

[fiqh us sunnah on the app store](#) - May 08 2022

web screenshots ipad iphone fiqh us sunnah was written by sayyid saabiq 1915 2000 c e and it is considered the first writing of its kind for it brought the four major madhahib together in a comprehensive treatment of fiqh matters the book has since been translated into dozens of languages and is used by muslims throughout the world

**fiqh us sunnah hadith collection** - Apr 19 2023

web salat ul hajah the prayer for need 1 fiqh us sunnah section 20 salat ul taubah the prayer of penitence 1 fiqh us sunnah section 21 salat ul kasuf prayer of the solar and lunar eclipse 3 fiqh us sunnah section 22 salat ul istisqa prayer for rain 2 fiqh us sunnah section 23

[fiqh us sunnah arabic window](#) - Jul 22 2023

web fiqh us sunnah is a comprehensive manual of islamic jurisprudence that provides a clear and concise overview of the basics of islamic law

**fiqh us sunnah purification and prayer google books** - Nov 14 2022

web bibtext endnote refman fiqh us sunnah volume 1 is about fiqh ruling on rules and regulations of purification and prayer that goes back to the qur an and sunnah and as sayyid sabiq has dealt with all four madhahib objectively with

**fiqh wikipedia** - Apr 07 2022

web fiqh fi:k 1 arabic فقه fiqh is islamic jurisprudence 2 fiqh is often described as the human understanding and practices of the sharia 3 that is human understanding of the divine islamic law as revealed in the quran and the sunnah the teachings and practices of the islamic prophet muhammad and his companions

[fiqh us sunnah 3 vol set arabic language دارالسلام دارالسلام darussalam](#) - May 20 2023

web fiqh us sunnah 3 vol set arabic language دارالسلام دارالسلام al maktaba al assriya no reviews yet write a review 35 00 sku 22281 upc 9789953341712 shipping

*fiqh us sunnah by sayid saabiq sifatusafwa* - Jun 21 2023

web the famous book of fiqh by shaykh sayyed saabiq clear and simple accented with many daleel in three volumes we advise you to read and accompanied by extensive notes and detailed corrections of sheikh al albani with his book al tamaam minnah sold on the site

**fiqh us sunnah five volumes free download borrow and** - Sep 24 2023

web apr 1 2020 fiqh islam sharia sunniconnect collection opensource language english sunniconnect com m3 download pdf5

vol set fiqh us sunnah addeddate 2020 04 01 04 37 18 identifier

**muhaddith islam books search software quran audio prayer** - Jan 04 2022

web islamic library search software download only 26 books are available in the trial version search software islamic books and islamic prayer times program 170 of the most famous classic books of islam 10 00mb holy quran hadith in islam islam fiqh dictionary and other islam books click here for full listing

**fiqh us sunnah arabic uniport edu ng** - Dec 03 2021

web fiqh us sunnah arabic 1 10 downloaded from uniport edu ng on august 2 2023 by guest fiqh us sunnah arabic recognizing the quirk ways to acquire this ebook fiqh us sunnah arabic is additionally useful you have remained in right site to start getting this info acquire the fiqh us sunnah arabic associate that we present here and check out the link

**new reflections on shaikh as sayyid sabiq s r fiqh us sunnah** - Jun 09 2022

web aug 5 2009 fiqh us sunnah is of those texts which like the riyadh us saliheen of imam nawawi r has gained in popularity and notoreity and universality it is unfortunate that in the english language we possess no sound translation of fiqh us sunnah

salatul jumu ah the friday prayer islambasics com - Feb 05 2022

web this is what the sunnah of the prophet teaches us and what allahholds us responsible for concerning the other stipulations which some of thejurists stipulate for the jumu ah salah none of them has any basis to which wemay refer or any evidence to support it

**ltk xv 6xqqdk islamhouse com** - Aug 11 2022

web ltk xv 6xqqdk islamhouse com d

*fiqh hadith collection* - Oct 13 2022

web about fiqh us sunnah the arabic word fiqh means knowledge understanding and comprehension it refers to the legal rulings of the muslim scholars based on their knowledge of the shari ah and as such is the third source of rulings

**fiqh us sunnah vol 1 arabic furqaan bookstore** - Feb 17 2023

web current stock 1 quantity add to wish list description fiqh sunnah in arabic compiled by syed sabiq related products customers also viewed sync favorite border star border star border star border star border star border

**fiqh as sunnah sayyid sabiq free download borrow and** - Nov 02 2021

web jun 17 2015 fiqh as sunnah sayyid sabiq collection booksbylanguage azerbaijani booksbylanguage language azerbaijani fiqh as sunnah sayyid sabiq addeddate 2015 06 17 14 04 05 identifier

**fiqh as sounnah sayid sabiq lamaisondelislam com** - Sep 12 2022

web sep 24 2021 1 le but de ce site est de rassembler et de mettre à disposition les différentes ressources des savants de la

sounnah elles peuvent provenir de traducteurs sites internet ou maison d'éditions inconnues ou pas fiables veuillez vérifier l'ouvrage avec la version originale en arabe et une personne qualifiée

[fiqh us sunnah funerals and dhikr by as sayyid sabiq](#) - Dec 15 2022

web jun 9 2016 [fiqh al sunna by sayyid sabiq](#) presents hadith evidences for rulings corresponding to about 95 percent of those of the shafi'i school which is a welcome contribution but by no means a final word about these rulings for each of the four schools has a large literature of hadith evidences and not just the shafi'i school reflected by

[fiqh us sunnah kalamullah](#) - Aug 23 2023

web [fiqh us sunnah kalamullah](#) [fiqh us sunnah vol j purification and prayer](#) vol supererogatory prayer vol alms tax and fasting vol funerals and dhikr vol hajj and llmrah as sayyid sabiq [flqhusgsunmh](#) and prayer w flap

**sensory profile short sensory profile winnie dunn ph d** - Sep 21 2023

web the short sensory profile is a 38 item caregiver questionnaire both notch sheet designed for utilize in screening and research protocol the items on the sensory profile are

**sensory profile 2 short sensory profile winnie dunn ph d** - Jun 18 2023

web discusses the unique learning styles sensory sensitivities different motivations and relative strengths in visual processing and rote memory skills of children and adults with autism

**frontiers construct validity of the sensory profile interoception** - Sep 09 2022

web sensory profile user's manual by dunn winnie publication date 1999 topics senses and sensation in children evaluation publisher san antonio tex psychological corp

*winnie dunn sensory profile questionnaire* - Apr 16 2023

web the sensory profile provides a standard method for professionals to measure a child's sensory processing abilities and to profile the effect of sensory processing on functional

*sensory profile 2 pearson clinical* - Jul 19 2023

web the sensory profile helps it understand a child's sensory treat patterns in everyday situations and profile the sensory system's effect on functional performance for medical

*sensory processing learning links* - Nov 11 2022

web unlike existing interoceptive measures the sensory profile interoception spi scale is participation based and grounded in dunn's sensory processing framework in this

*short sensory profile in autism springerlink* - Dec 12 2022

web adolescent adult sensory profile catana e brown winnie dunn therapy skill builders the psychological corporation 2002 occupational therapy 132 pages

[sensory profile pearson clinical](#) - May 17 2023

web we report on initial development of the infant toddler sensory profile a parent questionnaire assessing a child s sensory processing abilities parents of 401 typically

**psychometric properties of dunn s sensory profile school** - Jun 06 2022

web the sensory profile provides a standard method for professionals to measure a child s sensory processing abilities and to profile the effect of sensory processing on

**adolescent adult sensory profile catana e brown winnie dunn** - Oct 10 2022

web sensory profile jul 04 2023 sensory profile psychological test aug 05 2023 the sensory profile provides a standard method for professionals to measure a child s

[sensory profile pearson assessments](#) - Oct 22 2023

web sensory profile choose from our products test forms reports booklets record forms answer sheets report usages subscriptions 4 options from 56 20 overview product

[pdf the sensory profile the performance of a national](#) - May 05 2022

web the sensory profile provides a standard method for professionals to measure a child s sensory processing abilities and to profile the effect of sensory processing on

**sensory profile supplement winnie dunn google books** - Jan 13 2023

web one of the ways an occupational therapist can assess and measure how well the brain is processing sensory information is through the sensory profile by winnie dunn the

[winniedunnsensoryprofilequestionnaire](#) - Apr 04 2022

web download winnie dunn sensory profile report winnie dunn sensory profile please input in this form we will try to resolve asap

**introduction to dunn s sensory processing framework** - Aug 20 2023

web adolescent adult sensory profile 2002 sensory profile 2 2014 infant 0 6 months toddler 7 36 months child 3 0 14 11 years short 3 0 14 11 years school 3 0

**sensory profile school companion user s manual google** - Jan 01 2022

[winnie dunn sensory profile questionnaire 2023](#) - Mar 03 2022

web winnie dunn psychological corporation 2006 perception in children 106 pages the sensory profile provides a standard method for professionals to measure a child s

[sensory profile user s manual dunn winnie archive org](#) - Jul 07 2022

web the purpose of this study was to examine the extent to which patterns of response of typical children aged 3 to 10 in israel as reported in the sensory profile dunn 1999 were

**winnie dunn sensory profile questionnaire** - Aug 08 2022

web dunn s sensory profile companion is a standardized measurement tool for assessing sensory processing abilities of children and students in the classroom and school and

**sensory profile winnie dunn google books** - Feb 14 2023

web feb 3 2020 the short sensory profile ssp mcintosh et al 1999 is a caregiver report questionnaire used in research and clinical settings to measure sensory processing

**initial development of the infant toddler sensory profile** - Mar 15 2023

web sensory profile supplement the sensory profile provides a standard method for professionals to measure a child s sensory processing abilities and to profile the effect

**download pdf winnie dunn sensory profile free download pdf** - Feb 02 2022