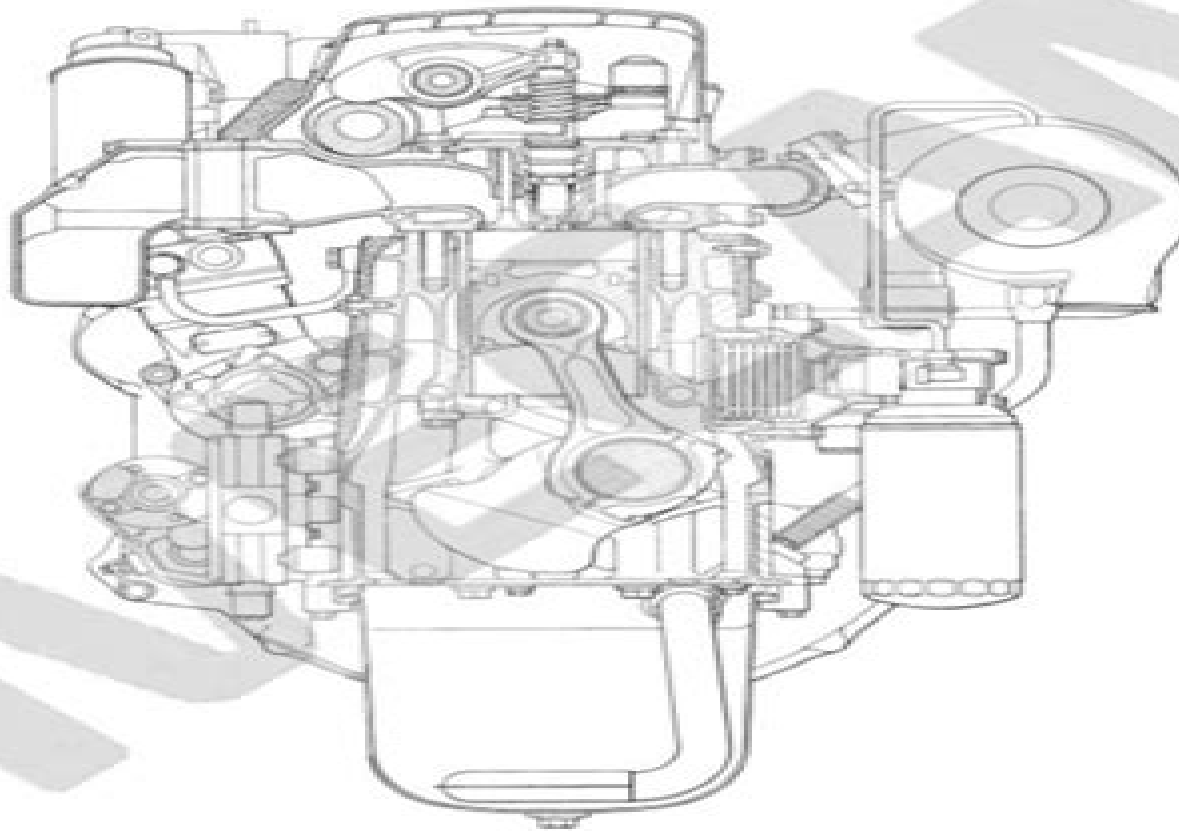


**CURSOR 8**

Válido también para CURSOR 10 – 13, teniendo en cuenta las diferentes dimensiones.

**SECCIÓN TRANSVERSAL**



44901

# Manual Iveco Cursor 8

**ML Morrison**



## **Manual Iveco Cursor 8:**

Manual Ivecu Cursor 8: Bestsellers in 2023 The year 2023 has witnessed a remarkable surge in literary brilliance, with numerous compelling novels captivating the hearts of readers worldwide. Lets delve into the realm of bestselling books, exploring the engaging narratives that have enthralled audiences this year. The Must-Read : Colleen Hoovers "It Ends with Us" This heartfelt tale of love, loss, and resilience has gripped readers with its raw and emotional exploration of domestic abuse. Hoover skillfully weaves a story of hope and healing, reminding us that even in the darkest of times, the human spirit can triumph. Uncover the Best : Taylor Jenkins Reids "The Seven Husbands of Evelyn Hugo" This spellbinding historical fiction novel unravels the life of Evelyn Hugo, a Hollywood icon who defies expectations and societal norms to pursue her dreams. Reids captivating storytelling and compelling characters transport readers to a bygone era, immersing them in a world of glamour, ambition, and self-discovery. Discover the Magic : Delia Owens "Where the Crawdads Sing" This mesmerizing coming-of-age story follows Kya Clark, a young woman who grows up alone in the marshes of North Carolina. Owens crafts a tale of resilience, survival, and the transformative power of nature, captivating readers with its evocative prose and mesmerizing setting. These bestselling novels represent just a fraction of the literary treasures that have emerged in 2023. Whether you seek tales of romance, adventure, or personal growth, the world of literature offers an abundance of captivating stories waiting to be discovered. The novel begins with Richard Papen, a bright but troubled young man, arriving at Hampden College. Richard is immediately drawn to the group of students who call themselves the Classics Club. The club is led by Henry Winter, a brilliant and charismatic young man. Henry is obsessed with Greek mythology and philosophy, and he quickly draws Richard into his world. The other members of the Classics Club are equally as fascinating. Bunny Corcoran is a wealthy and spoiled young man who is always looking for a good time. Charles Tavis is a quiet and reserved young man who is deeply in love with Henry. Camilla Macaulay is a beautiful and intelligent young woman who is drawn to the power and danger of the Classics Club. The students are all deeply in love with Morrow, and they are willing to do anything to please him. Morrow is a complex and mysterious figure, and he seems to be manipulating the students for his own purposes. As the students become more involved with Morrow, they begin to commit increasingly dangerous acts. The Secret History is a brilliant and suspenseful novel that will keep you wondering until the very end. The novel is a warning tale about the dangers of obsession and the power of evil.

<https://staging.conocer.cide.edu/data/virtual-library/HomePages/it%20a%20hard%20knock%20life%20chords%20annie.pdf>

**Table of Contents Manual Iveco Cursor 8**

1. Understanding the eBook Manual Iveco Cursor 8
  - The Rise of Digital Reading Manual Iveco Cursor 8
  - Advantages of eBooks Over Traditional Books
2. Identifying Manual Iveco Cursor 8
  - Exploring Different Genres
  - Considering Fiction vs. Non-Fiction
  - Determining Your Reading Goals
3. Choosing the Right eBook Platform
  - Popular eBook Platforms
  - Features to Look for in an Manual Iveco Cursor 8
  - User-Friendly Interface
4. Exploring eBook Recommendations from Manual Iveco Cursor 8
  - Personalized Recommendations
  - Manual Iveco Cursor 8 User Reviews and Ratings
  - Manual Iveco Cursor 8 and Bestseller Lists
5. Accessing Manual Iveco Cursor 8 Free and Paid eBooks
  - Manual Iveco Cursor 8 Public Domain eBooks
  - Manual Iveco Cursor 8 eBook Subscription Services
  - Manual Iveco Cursor 8 Budget-Friendly Options
6. Navigating Manual Iveco Cursor 8 eBook Formats
  - ePub, PDF, MOBI, and More
  - Manual Iveco Cursor 8 Compatibility with Devices
  - Manual Iveco Cursor 8 Enhanced eBook Features
7. Enhancing Your Reading Experience
  - Adjustable Fonts and Text Sizes of Manual Iveco Cursor 8
  - Highlighting and Note-Taking Manual Iveco Cursor 8
  - Interactive Elements Manual Iveco Cursor 8
8. Staying Engaged with Manual Iveco Cursor 8

- Joining Online Reading Communities
  - Participating in Virtual Book Clubs
  - Following Authors and Publishers Manual Iveco Cursor 8
9. Balancing eBooks and Physical Books Manual Iveco Cursor 8
- Benefits of a Digital Library
  - Creating a Diverse Reading Collection Manual Iveco Cursor 8
10. Overcoming Reading Challenges
- Dealing with Digital Eye Strain
  - Minimizing Distractions
  - Managing Screen Time
11. Cultivating a Reading Routine Manual Iveco Cursor 8
- Setting Reading Goals Manual Iveco Cursor 8
  - Carving Out Dedicated Reading Time
12. Sourcing Reliable Information of Manual Iveco Cursor 8
- Fact-Checking eBook Content of Manual Iveco Cursor 8
  - Distinguishing Credible Sources
13. Promoting Lifelong Learning
- Utilizing eBooks for Skill Development
  - Exploring Educational eBooks
14. Embracing eBook Trends
- Integration of Multimedia Elements
  - Interactive and Gamified eBooks

## Manual Iveco Cursor 8 Introduction

In this digital age, the convenience of accessing information at our fingertips has become a necessity. Whether its research papers, eBooks, or user manuals, PDF files have become the preferred format for sharing and reading documents. However, the cost associated with purchasing PDF files can sometimes be a barrier for many individuals and organizations. Thankfully, there are numerous websites and platforms that allow users to download free PDF files legally. In this article, we will explore some of the best platforms to download free PDFs. One of the most popular platforms to download free PDF files is Project Gutenberg. This online library offers over 60,000 free eBooks that are in the public domain. From classic literature to

historical documents, Project Gutenberg provides a wide range of PDF files that can be downloaded and enjoyed on various devices. The website is user-friendly and allows users to search for specific titles or browse through different categories. Another reliable platform for downloading Manual Iveco Cursor 8 free PDF files is Open Library. With its vast collection of over 1 million eBooks, Open Library has something for every reader. The website offers a seamless experience by providing options to borrow or download PDF files. Users simply need to create a free account to access this treasure trove of knowledge. Open Library also allows users to contribute by uploading and sharing their own PDF files, making it a collaborative platform for book enthusiasts. For those interested in academic resources, there are websites dedicated to providing free PDFs of research papers and scientific articles. One such website is Academia.edu, which allows researchers and scholars to share their work with a global audience. Users can download PDF files of research papers, theses, and dissertations covering a wide range of subjects. Academia.edu also provides a platform for discussions and networking within the academic community. When it comes to downloading Manual Iveco Cursor 8 free PDF files of magazines, brochures, and catalogs, Issuu is a popular choice. This digital publishing platform hosts a vast collection of publications from around the world. Users can search for specific titles or explore various categories and genres. Issuu offers a seamless reading experience with its user-friendly interface and allows users to download PDF files for offline reading. Apart from dedicated platforms, search engines also play a crucial role in finding free PDF files. Google, for instance, has an advanced search feature that allows users to filter results by file type. By specifying the file type as "PDF," users can find websites that offer free PDF downloads on a specific topic. While downloading Manual Iveco Cursor 8 free PDF files is convenient, it's important to note that copyright laws must be respected. Always ensure that the PDF files you download are legally available for free. Many authors and publishers voluntarily provide free PDF versions of their work, but it's essential to be cautious and verify the authenticity of the source before downloading Manual Iveco Cursor 8. In conclusion, the internet offers numerous platforms and websites that allow users to download free PDF files legally. Whether it's classic literature, research papers, or magazines, there is something for everyone. The platforms mentioned in this article, such as Project Gutenberg, Open Library, Academia.edu, and Issuu, provide access to a vast collection of PDF files. However, users should always be cautious and verify the legality of the source before downloading Manual Iveco Cursor 8 any PDF files. With these platforms, the world of PDF downloads is just a click away.

### **FAQs About Manual Iveco Cursor 8 Books**

How do I know which eBook platform is the best for me? Finding the best eBook platform depends on your reading preferences and device compatibility. Research different platforms, read user reviews, and explore their features before

making a choice. Are free eBooks of good quality? Yes, many reputable platforms offer high-quality free eBooks, including classics and public domain works. However, make sure to verify the source to ensure the eBook credibility. Can I read eBooks without an eReader? Absolutely! Most eBook platforms offer webbased readers or mobile apps that allow you to read eBooks on your computer, tablet, or smartphone. How do I avoid digital eye strain while reading eBooks? To prevent digital eye strain, take regular breaks, adjust the font size and background color, and ensure proper lighting while reading eBooks. What the advantage of interactive eBooks? Interactive eBooks incorporate multimedia elements, quizzes, and activities, enhancing the reader engagement and providing a more immersive learning experience. Manual Iveco Cursor 8 is one of the best book in our library for free trial. We provide copy of Manual Iveco Cursor 8 in digital format, so the resources that you find are reliable. There are also many Ebooks of related with Manual Iveco Cursor 8. Where to download Manual Iveco Cursor 8 online for free? Are you looking for Manual Iveco Cursor 8 PDF? This is definitely going to save you time and cash in something you should think about. If you trying to find then search around for online. Without a doubt there are numerous these available and many of them have the freedom. However without doubt you receive whatever you purchase. An alternate way to get ideas is always to check another Manual Iveco Cursor 8. This method for see exactly what may be included and adopt these ideas to your book. This site will almost certainly help you save time and effort, money and stress. If you are looking for free books then you really should consider finding to assist you try this. Several of Manual Iveco Cursor 8 are for sale to free while some are payable. If you arent sure if the books you would like to download works with for usage along with your computer, it is possible to download free trials. The free guides make it easy for someone to free access online library for download books to your device. You can get free download on free trial for lots of books categories. Our library is the biggest of these that have literally hundreds of thousands of different products categories represented. You will also see that there are specific sites catered to different product types or categories, brands or niches related with Manual Iveco Cursor 8. So depending on what exactly you are searching, you will be able to choose e books to suit your own need. Need to access completely for Campbell Biology Seventh Edition book? Access Ebook without any digging. And by having access to our ebook online or by storing it on your computer, you have convenient answers with Manual Iveco Cursor 8 To get started finding Manual Iveco Cursor 8, you are right to find our website which has a comprehensive collection of books online. Our library is the biggest of these that have literally hundreds of thousands of different products represented. You will also see that there are specific sites catered to different categories or niches related with Manual Iveco Cursor 8 So depending on what exactly you are searching, you will be able tochoose ebook to suit your own need. Thank you for reading Manual Iveco Cursor 8. Maybe you have knowledge that, people have search numerous times for their favorite readings like this Manual Iveco Cursor 8, but end up in harmful downloads. Rather than reading a good book with a cup of coffee in the afternoon, instead they juggled with some harmful bugs inside their laptop. Manual Iveco Cursor 8 is available in our book collection an



online access to it is set as public so you can download it instantly. Our digital library spans in multiple locations, allowing you to get the most less latency time to download any of our books like this one. Merely said, Manual Iveco Cursor 8 is universally compatible with any devices to read.

**Find Manual Iveco Cursor 8 :**

[it a hard knock life chords annie](#)

[itunes match user manual](#)

**its only makebelieve**

**iveco truck manual**

~~it essentials v5 answers cisco chapter~~

~~iti electronics mechanic question paper~~

*itec exam papers for anatomy and physiology*

[iveco eurocargo 75e17 owners manual](#)

**iti electrician exam paper bing**

**ivy and bean book 3**

[itunes update manual](#)

**isuzu vehicross service repair manual 1998 2001**

**iveco work shop manual**

[it essentials 5chapter 10](#)

[isuzu npr fuse diagram](#)

**Manual Iveco Cursor 8 :**

[cambridge essential english dictionary paperback amazon ca](#) - Sep 03 2022

web a version of cambridge essential english dictionary specially adapted for skills for life students it covers the essential english needed by learners at beginner to

*cambridge essential english dictionary lingua ingl pdf vod* - Jan 27 2022

**cambridge essential english dictionary** - Mar 09 2023

web essential italian dictionary is a new compact italian english and english italian dictionary that offers up to date coverage

of all the essential day to day vocabulary

**cambridge essential british english dictionary** - Aug 14 2023

web the cambridge essential british english dictionary is based on original research on the unique cambridge english corpus and includes all the vocabulary that students need

**cambridge essential english dictionary free** - Feb 08 2023

web a small low level monolingual english dictionary for beginners and pre intermediate learners of english using a learner s dictionary for the first time can be daunting but

*cambridge essential english dictionary* - Jul 13 2023

web mapped to a ground breaking research programme english profile this brand new edition of the cambridge essential english dictionary now clearly marks essential

**cambridge essential english dictionary lingua ingl pdf** - Feb 25 2022

cambridge free english dictionary and thesaurus - Jan 07 2023

web cambridge essential english dictionary publication date 2004 topics english language dictionaries english language textbooks for foreign speakers

cambridge essential english dictionary - Apr 10 2023

web aug 11 2023 essential dictionary gives all the essential help and information elementary and pre intermediate learners need updated with 200 new words oxford essential

cambridge essential english dictionary lingua ingl pdf - Apr 29 2022

web key features the cambridge essential american english dictionary is based on original research on the unique cambridge english corpus and includes all the vocabulary that

cambridge essential english dictionary lingua ingl pdf - Oct 04 2022

web cambridge essential english dictionary lingua ingl creativity in english as a lingua franca business vocabulary in use intermediate 4 cambridge essential english

cambridge dictionary english dictionary - Jun 12 2023

web mapped to a ground breaking research programme english profile this brand new edition of the cambridge essential english dictionary now clearly marks essential

cambridge essential english dictionary free download borrow - Aug 02 2022

web aug 8 2023 cambridge essential english dictionary skills for life cambridge university press 2006 09 28 ideal for skills for life entry levels 2 3 a version of

**cambridge essential english dictionary lingua ingl pdf full pdf** - May 31 2022

web right here we have countless book cambridge essential english dictionary lingua ingl and collections to check out we additionally pay for variant types and with type of the

**cambridge essential english dictionary** - May 11 2023

web cambridge essential english dictionary a small low level monolingual english dictionary for beginners and pre intermediate learners of english

**cambridge english dictionary meanings definitions** - Nov 24 2021

cambridge essential english dictionary lingua ingl michael - Dec 26 2021

*cambridge essential english dictionary paperback* - Dec 06 2022

web cambridge essential english dictionary lingua ingl oxford essential dictionary cambridge learner s dictionary english polish with cd rom cambridge advanced

*cambridge essential english dictionary lingua ingl 2022* - Jul 01 2022

web cambridge english pronouncing dictionary english as a global language english as a lingua franca english as a lingua franca a history of the english language

**cambridge essential english dictionary lingua ingl download** - Mar 29 2022

**cambridge essential american english dictionary** - Oct 24 2021

**cambridge essential english dictionary lingua ingl pdf** - Nov 05 2022

web english dictionary lingua ingl pdf revealing the captivating potential of verbal expression in a period characterized by interconnectedness and an insatiable thirst for

**einführung in die systemische organisationstheorie** - May 16 2023

web einführung in die systemische organisationstheorie inproceedings simon2014einfhrungid title einf u hrung in die systemische

einführung in die systemische organisationsberatung - Sep 20 2023

web einführung in die systemische organisationsberatung roswita königswieser martin hillebrand google books roswita königswieser martin hillebrand carl auer systeme verlag 2004 127

**einführung in die systemische organisationsberatu pdf** - Dec 31 2021

web this is likewise one of the factors by obtaining the soft documents of this einfuhrung in die systemische organisationsberatu pdf by online you might not require more times to

**einfuhrung in die systemische organisationsberatu pdf** - Aug 07 2022

web apr 11 2023 einfuhrung in die systemische organisationsberatu 1 1 downloaded from uniport edu ng on april 11 2023 by guest einfuhrung in die systemische

einfuhrung in die systemische organisationstheori 2023 - Feb 13 2023

web einfuhrung in die systemische organisationstheori recent advances in the roles of cultural and personal values in organizational behavior jul 17 2021 the complete

İl milli eğitim müdürlüğü iso 9001 sistem kurulum rehberi - Mar 02 2022

web kurumunuzda iso 9001 2015 kurulumu ve temel işleyişini oluşturabilmek için bu rehber kalite yönetim temsilcisine rehber olacak şekilde hazırlanmıştır bunun için ilk olarak

**einfuhrung in die systemische organisationsberatu** - Nov 29 2021

web in some cases you likewise accomplish not discover the message einfuhrung in die systemische organisationsberatu that you are looking for it will enormously squander

einfuhrung in die systemische organisationstheori wrbb neu - Jul 06 2022

web expense of einfuhrung in die systemische organisationstheori and numerous books collections from fictions to scientific research in any way in the midst of them is this

**einfuhrung in die systemische organisationsberatu book** - May 04 2022

web einfuhrung in die systemische organisationsberatu book review unveiling the power of words in some sort of driven by information and connectivity the ability of words has

**einfuhrung in die systemische organisationsberatu** - Nov 10 2022

web einfuhrung in die systemische organisationsberatu this is likewise one of the factors by obtaining the soft documents of this einfuhrung in die systemische

**einfuhrung in die systemische organisationsberatu ulrike röttger** - Jul 18 2023

web it is your categorically own grow old to sham reviewing habit in the middle of guides you could enjoy now is einfuhrung in die systemische organisationsberatu below

council of europe - Jan 12 2023

web eurybase türkiye

*einfuhrung in die systemische organisationsberatu* - Sep 08 2022

web einfuhrung in die systemische organisationsberatu struggling with the demon feb 22 2023 woodrow wilson and colonel

house a personality study may 28 2023 woodrow

uluslararası İşletmecilik Ünite 4 uluslararası - Jun 05 2022

web Ünite 4 uluslararası İşletmelerde strateji ve Örgütsel yapılanma giriş uluslararası işletme yöneticileri geliştirmiş

oldukları stratejilere en uygun örgütsel yapıyı belirlemelidirler

einführung in die systemische organisationstheorie - Mar 14 2023

web einfu hrung in die systemische organisationstheorie worldcat org author fritz b simon print book german 2009 edition 2

auf view all formats and editions publisher auer

**einführung in die systemische organisationstheori pdf** - Oct 09 2022

web sep 19 2023 you could buy guide einführung in die systemische organisationstheori or acquire it as soon as feasible you

could speedily download this einführung in die

**einführung in die systemische organisationsberatu pdf** - Oct 29 2021

web jun 25 2023 this einführung in die systemische organisationsberatu pdf but end in the works in harmful downloads

rather than enjoying a fine ebook behind a mug of

*einführung in die systemische organisationsberatu* - Feb 01 2022

web jan 9 2023 this on line revelation einführung in die systemische organisationsberatu as competently as review them

wherever you are now einführung in systemtheorie und

**iso uluslararası standart organizasyonu yapısı kalite belgesi** - Apr 03 2022

web tÜrcert a Şiso uluslararası standart organizasyonu yapısı uluslararası piyasalarda mal ve hizmet alışverişini

sadeleştirmek ve kolaylaştırmak teknik ekonomik ve bilimsel

einführung in die systemische organisationsberatung package - Dec 11 2022

web einführung in die systemische organisationsberatung package cds und buch german amazon sg books

einführung in die systemische organisationstheorie - Aug 19 2023

web jan 1 2014 die darstellung gibt einen einblick in das systemische denken und diskutiert die möglichkeiten die

systemisches handwerkszeug für die herausforderungen der

*einführung in die systemische organisationsberatu pdf* - Jun 17 2023

web einführung in die systemische organisationsberatu 3 3 zukommt dies geschieht einerseits um personelle defizite der teils

schwach besetzten internen pr stellen

**einführung in die systemische organisationsberatu download** - Apr 15 2023

web einführung in die systemische organisationsberatu creating sustainable work systems apr 17 2023 since the first edition

of this book was published the subject of

svt sciences de la vie et de la terre seconde decitre - Feb 18 2022

web 30 20 neuf en stock voir la disponibilité en librairie commander ajouter à ma liste sciences de la vie et de la terre 2de livre du professeur edition 2019 denis baude yves jusserand

**sciences de la vie et de la terre svt 2nde 2nde livre bd** - Nov 29 2022

web parution 30 10 2019 plus que 3 en stock en stock en magasin choisir 13 50 ou 12 82 5 avec le retrait en magasin ajouter au panier 2 neufs à 13 50 9 occasions dès 3 46 format ebook epub parution 30 10 2019 téléchargement immédiat 6 99 télécharger

**sciences de la vie et de la terre en seconde lumni** - Aug 27 2022

web quiz sciences de la vie et de la terre quiz vu louis pasteur et la vaccination en seconde générale et technologique les élèves consolident leurs connaissances et découvrent également deux nouvelles matières les sciences économiques et sociales et les sciences numériques et technologie des enseignements optionnels sont

*sciences de la vie et de la terre éducol ministère de l* - Oct 29 2022

web l édition 2023 de la fête de la science est l occasion de participer à des événements dans toute la france autour des sciences et du sport france métropolitaine du 6 au 16 octobre corse outre mer et international du 10 au 27 novembre

**sciences de la vie et de la terre 2de manuel 2019 fnac** - Jul 26 2022

web may 10 2019 manuel 20de l élève edition 2019 sciences de la vie et de la terre 2de manuel 2019 olivier avisseau damien jaujard eric le bris nathan des milliers de livres avec la livraison chez vous en 1 jour ou en magasin avec 5 de réduction

svt 2de livre de l élève 9782091727059 Éditions nathan - Aug 07 2023

web un manuel qui propose des unités richement documentées en données et qui laissent une réelle liberté d exploitation à l enseignant des unités mission proposant une contextualisation concrète motivante pour les élèves des verbes d action suggèrent la tâche à réaliser pour un réel travail des compétences

*science de la vie et de la terre 2de édition 2019 cultura* - May 24 2022

web science de la vie et de la terre 2de édition 2019 par lelivrescolaire fr aux éditions lelivrescolaire fr mes réservations choisissez un magasin bonjour les médecine douces livre de méditation et spiritualité livres sur les cosmétiques maison livre de massage livres sur les fleurs de bach voir tout

*manuels scolaires éditions hatier* - Mar 02 2023

web manuels scolaires sciences de la vie et de la terre svt 8 produits manuels scolaires sciences de la vie et de la terre svt date de parution titre

*sciences de la vie et de la terre manuel scolaire élève* - Jun 05 2023

web retrouvez l ensemble de nos ressources et manuels scolaires de sciences de la vie et de la terre À propos nos manuels nos offres connexion s inscrire sciences de la vie et de la terre nouveautés svt cycle 4 cahier d exercices 2023 collection 2023 les manuels scolaires

[programme de sciences de la vie et de la terre de seconde générale et](#) - Sep 27 2022

web les objectifs de l enseignement des sciences de la vie et de la terre au lycée l enseignement des sciences de la vie et de la terre svt au lycée vise à dispenser une formation scientifique solide dans le prolongement du collège il poursuit la formation civique des élèves

[svt 2de 2019 site compagnon Éditions nathan](#) - Jul 06 2023

web accueil svt 2de 2019 svt 2 de 2019 le site compagnon du manuel svt 2nd propose gratuitement de nombreuses ressources complémentaires associées au manuel vidéos d accroche protocoles indicateurs de réussite textes dys bilan audio schémas bilan interactif corrigés

**sciences de la vie et de la terre svt en 2de enseignants** - Apr 03 2023

web sciences de la vie et de la terre svt en 2de mises à jour numérique 2023 de nombreux manuels numériques sont mis à jour cette année au lycée

**programmes et ressources en sciences de la vie et de la terre** - Feb 01 2023

web les programmes de l enseignement de sciences de la vie et de la terre svt de la classe de seconde générale et technologique et de spécialité des classes de première et terminale de la voie générale sont présentés en lien avec des ressources pour accompagner leur mise en œuvre les climats de la terre comprendre le passé pour

**sciences de la vie et de la terre 2de hachette Éducation** - May 04 2023

web un manuel pour permettre aux élèves de seconde de se construire une culture scientifique un manuel qui traite l ensemble du nouveau programme en s articulant autour de trois grands thèmes afin de découvrir les grands domaines que recouvrent les sciences de la vie et de la terre il propose dans chaque chapitre des

**svt 2de Éd 2019 livre élève éditions hatier** - Sep 08 2023

web may 22 2019 manuel numérique premium gratuit j en profite versions numériques manuel numérique enrichi enseignant svt 2de Éd 2019 manuel numérique enseignant éditions hatier manuel numérique enrichi élève svt 2de Éd 2019 manuel numérique élève éditions hatier

**manuel svt 2de lelivrescolaire fr** - Oct 09 2023

web thème 1 la terre la vie et l organisation du vivant ouverture p 10 12 ch 1 l organisme pluricellulaire ensemble de cellules spécialisées ch 2 l adn support de l information génétique ch 3 le métabolisme des cellules ch 4 les échelles de la biodiversité ch 5 les modifications de la biodiversité au cours du temps ch 6

**sciences de la vie et de la terre svt 2ème bac sciences** - Jun 24 2022

web sciences de la vie et de la terre svt 2ème bac sciences de la vie et de la terre biof cours exercices corrigés examens alloschool votre école sur internet l accès aux vidéos sauf est payant via un abonnement de 200 dhs valable jusqu au 01 09 2024 pour s abonner cliquez ici le métamorphisme et sa relation avec

*svt sciences de la vie et de la terre seconde programme* - Apr 22 2022

web À tout moment vous pourrez vous désinscrire à travers le lien de désinscription présent dans chacun de nos mails conformément à la loi informatique et liberté n 78 17 du 6 janvier 1978 modifiée au règlement ue 2016 679 et à la loi pour une république numérique du 7 octobre 2016 vous disposez du droit d accès de rectification de sciences de la vie et de la terre 2de réseau canopé - Dec 31 2022

web apr 1 2012 imprimé niveau 2de générale et technologique discipline sciences de la vie et de la terre c est pour vous élève et apprenant enseignant cet ouvrage est conçu pour apporter une aide aux professeurs de sciences de la vie et de la terre afin d interpréter au mieux les nouveaux programmes de 2de en vigueur depuis la rentrée 2011

le programme de seconde en svt vive les svt les sciences de la vie - Mar 22 2022

web les sciences de la vie et de la terre au collège et au lycée cours de svt en ligne lycée le programme de seconde en svt pour connaître le programme des svt en 2nde cliquez sur l image vous retrouverez ici tout le bulletin officiel bo svt en 2nde comprenant les notions clés à maîtriser les principaux chapitres vous attendent ci