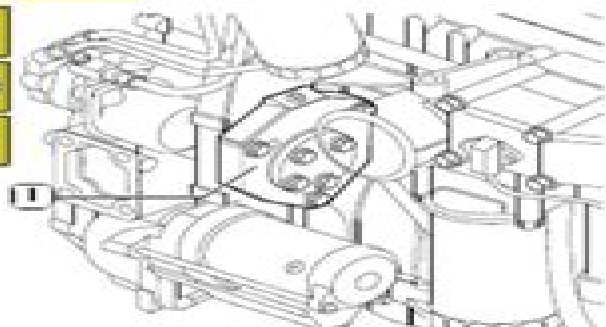


Figure 83



W304

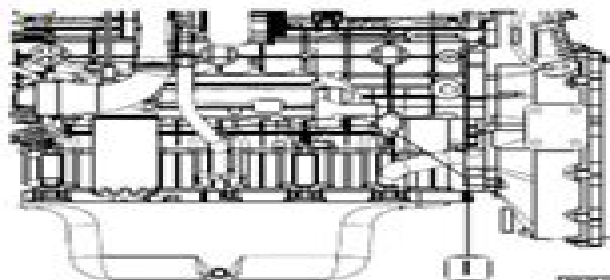
Fit the arm 99360585 onto the engine lifting hooks and hook the arm onto the hoist.

Take out the screws fixing the brackets 99361036 to the rotary stand. Lift the engine and remove the above-mentioned brackets from it.

Complete engine assembly with the following parts, tightening the fixing screws or nuts to the prescribed torque:

- mount the drive (1);
- mount the engine supports;

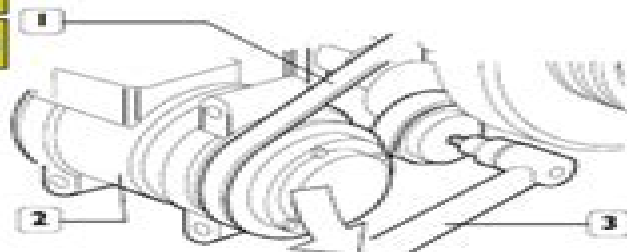
Figure 84



W307

- mount the oil pressure adjuster valve (1).

Figure 85



W308

Fit the engine support together with the air-conditioner compressor (2).

Using a suitable tool (3), work in the direction of the arrow and mount the belt (1).

Connect the engine electric cable to the sensor and control unit.

Fill the engine with lubricating oil of the prescribed grade and quantity.

Lg C13service Manual

M Planty



Lg C13service Manual:

Right here, we have countless book **Lg C13service Manual** and collections to check out. We additionally manage to pay for variant types and afterward type of the books to browse. The satisfactory book, fiction, history, novel, scientific research, as skillfully as various extra sorts of books are readily simple here.

As this Lg C13service Manual, it ends up subconscious one of the favored ebook Lg C13service Manual collections that we have. This is why you remain in the best website to look the unbelievable books to have.

https://staging.conocer.cide.edu/data/publication/Download_PDFS/Form%20And%20Fabric%20In%20Landscape%20Architecture%20A%20Visual%20Introduction.pdf

Table of Contents Lg C13service Manual

1. Understanding the eBook Lg C13service Manual
 - The Rise of Digital Reading Lg C13service Manual
 - Advantages of eBooks Over Traditional Books
2. Identifying Lg C13service Manual
 - Exploring Different Genres
 - Considering Fiction vs. Non-Fiction
 - Determining Your Reading Goals
3. Choosing the Right eBook Platform
 - Popular eBook Platforms
 - Features to Look for in an Lg C13service Manual
 - User-Friendly Interface
4. Exploring eBook Recommendations from Lg C13service Manual
 - Personalized Recommendations
 - Lg C13service Manual User Reviews and Ratings
 - Lg C13service Manual and Bestseller Lists
5. Accessing Lg C13service Manual Free and Paid eBooks

- Lg C13service Manual Public Domain eBooks
 - Lg C13service Manual eBook Subscription Services
 - Lg C13service Manual Budget-Friendly Options
6. Navigating Lg C13service Manual eBook Formats
 - ePub, PDF, MOBI, and More
 - Lg C13service Manual Compatibility with Devices
 - Lg C13service Manual Enhanced eBook Features
 7. Enhancing Your Reading Experience
 - Adjustable Fonts and Text Sizes of Lg C13service Manual
 - Highlighting and Note-Taking Lg C13service Manual
 - Interactive Elements Lg C13service Manual
 8. Staying Engaged with Lg C13service Manual
 - Joining Online Reading Communities
 - Participating in Virtual Book Clubs
 - Following Authors and Publishers Lg C13service Manual
 9. Balancing eBooks and Physical Books Lg C13service Manual
 - Benefits of a Digital Library
 - Creating a Diverse Reading Collection Lg C13service Manual
 10. Overcoming Reading Challenges
 - Dealing with Digital Eye Strain
 - Minimizing Distractions
 - Managing Screen Time
 11. Cultivating a Reading Routine Lg C13service Manual
 - Setting Reading Goals Lg C13service Manual
 - Carving Out Dedicated Reading Time
 12. Sourcing Reliable Information of Lg C13service Manual
 - Fact-Checking eBook Content of Lg C13service Manual
 - Distinguishing Credible Sources
 13. Promoting Lifelong Learning
 - Utilizing eBooks for Skill Development

- Exploring Educational eBooks
14. Embracing eBook Trends
- Integration of Multimedia Elements
 - Interactive and Gamified eBooks

Lg C13service Manual Introduction

In this digital age, the convenience of accessing information at our fingertips has become a necessity. Whether its research papers, eBooks, or user manuals, PDF files have become the preferred format for sharing and reading documents. However, the cost associated with purchasing PDF files can sometimes be a barrier for many individuals and organizations. Thankfully, there are numerous websites and platforms that allow users to download free PDF files legally. In this article, we will explore some of the best platforms to download free PDFs. One of the most popular platforms to download free PDF files is Project Gutenberg. This online library offers over 60,000 free eBooks that are in the public domain. From classic literature to historical documents, Project Gutenberg provides a wide range of PDF files that can be downloaded and enjoyed on various devices. The website is user-friendly and allows users to search for specific titles or browse through different categories. Another reliable platform for downloading Lg C13service Manual free PDF files is Open Library. With its vast collection of over 1 million eBooks, Open Library has something for every reader. The website offers a seamless experience by providing options to borrow or download PDF files. Users simply need to create a free account to access this treasure trove of knowledge. Open Library also allows users to contribute by uploading and sharing their own PDF files, making it a collaborative platform for book enthusiasts. For those interested in academic resources, there are websites dedicated to providing free PDFs of research papers and scientific articles. One such website is Academia.edu, which allows researchers and scholars to share their work with a global audience. Users can download PDF files of research papers, theses, and dissertations covering a wide range of subjects. Academia.edu also provides a platform for discussions and networking within the academic community. When it comes to downloading Lg C13service Manual free PDF files of magazines, brochures, and catalogs, Issuu is a popular choice. This digital publishing platform hosts a vast collection of publications from around the world. Users can search for specific titles or explore various categories and genres. Issuu offers a seamless reading experience with its user-friendly interface and allows users to download PDF files for offline reading. Apart from dedicated platforms, search engines also play a crucial role in finding free PDF files. Google, for instance, has an advanced search feature that allows users to filter results by file type. By specifying the file type as "PDF," users can find websites that offer free PDF downloads on a specific topic. While downloading Lg C13service Manual free PDF files is convenient, its important to note that copyright laws must be respected. Always ensure that the PDF files you download are legally available for free.

Many authors and publishers voluntarily provide free PDF versions of their work, but its essential to be cautious and verify the authenticity of the source before downloading Lg C13service Manual. In conclusion, the internet offers numerous platforms and websites that allow users to download free PDF files legally. Whether its classic literature, research papers, or magazines, there is something for everyone. The platforms mentioned in this article, such as Project Gutenberg, Open Library, Academia.edu, and Issuu, provide access to a vast collection of PDF files. However, users should always be cautious and verify the legality of the source before downloading Lg C13service Manual any PDF files. With these platforms, the world of PDF downloads is just a click away.

FAQs About Lg C13service Manual Books

How do I know which eBook platform is the best for me? Finding the best eBook platform depends on your reading preferences and device compatibility. Research different platforms, read user reviews, and explore their features before making a choice. Are free eBooks of good quality? Yes, many reputable platforms offer high-quality free eBooks, including classics and public domain works. However, make sure to verify the source to ensure the eBook credibility. Can I read eBooks without an eReader? Absolutely! Most eBook platforms offer web-based readers or mobile apps that allow you to read eBooks on your computer, tablet, or smartphone. How do I avoid digital eye strain while reading eBooks? To prevent digital eye strain, take regular breaks, adjust the font size and background color, and ensure proper lighting while reading eBooks. What the advantage of interactive eBooks? Interactive eBooks incorporate multimedia elements, quizzes, and activities, enhancing the reader engagement and providing a more immersive learning experience. Lg C13service Manual is one of the best book in our library for free trial. We provide copy of Lg C13service Manual in digital format, so the resources that you find are reliable. There are also many Ebooks of related with Lg C13service Manual. Where to download Lg C13service Manual online for free? Are you looking for Lg C13service Manual PDF? This is definitely going to save you time and cash in something you should think about.

Find Lg C13service Manual :

form and fabric in landscape architecture a visual introduction

formirovanie i razvitie selskogo khoziaistva kak sistemy

forty lashes less one

fortran 77 for engineers and scientists

fortune dane

forum of uncertainty confrontations with modern painting in twentieth-century american thought.

formirovanie sotsiokulturnoi kompetentsii sredstvami inostrannogo iazyka sbornik nauchnykh statei

fort defiance the navaho

forts of old california. by chester michael.

formirovanie logisticheskoi sistemy prodovolstvennogo obespecheniia vooruzhennykh sil v usloviakh

foundation of physics

forward to the land

foundations of anatomy and physiology interactive cd software

forza motorsports prima official game guide

fort robinson

Lg C13service Manual :

la primera vuelta al mundo alianza editorial - Dec 08 2022

web itinerario de la primera vuelta al mundo mapa de la expedición de magallanes y elcano 1519 1522 mapa de la expedición de magallanes y elcano 1519 1522 primer nativo que encontraron en la patagonia le pusieron en frente un espejo y que aquel gigante enardecido perdió el uso de la razón por el pavor de su propia imagen este libro breve

la primera vuelta al mundo relacia n de la expedi pdf - May 13 2023

web aug 13 2023 vuelta al mundo relacia n de la expedi is universally compatible as soon as any devices to read relacion historica del viaje a la america meridional hecho de orden de s mag para medir algunos grados de meridiano terrestre y venir por ellos en conocimiento de la verdadera figura y magnitud de la

la primera vuelta al mundo relacia n de la expedi pdf full pdf - Sep 05 2022

web revelation la primera vuelta al mundo relacia n de la expedi pdf that you are looking for it will unquestionably squander the time however below in the manner of you visit this web page it will be correspondingly agreed easy to acquire as skillfully as download guide la primera vuelta al mundo relacia n de la expedi pdf it will not allow

la primera vuelta al mundo relacia n de la expedi pdf gcca - Oct 06 2022

web mar 26 2023 allow la primera vuelta al mundo relacia n de la expedi pdf and numerous books collections from fictions to scientific research in any way in the course of them is this la primera vuelta al mundo relacia n de la expedi pdf that can be your partner la ilustración gallega y asturiana 1881 colección de los viajes y

la primera vuelta al mundo relacia n de la expedi 2022 - Mar 11 2023

web especias la aventura de vasco de gama que le llevó a las indias a través del cabo de buena esperanza abrió una guerra por el control de las especias y por el control estratégico mundial que

la primera vuelta al mundo serie de tv 2019 filmaffinity - Nov 07 2022

web la primera vuelta al mundo serie de tv es una serie de televisión dirigida por daniel terzagui nacho solana con documental año 2019 título original la primera vuelta al mundo sinopsis serie documental que revisa la mayor aventura marítima de todos los tiempos un acontecimiento clave de la humanidad comparándolo con la actualidad y

la primera vuelta al mundo relacion de la expedición pdf - Jan 29 2022

web may 29 2023 la primera vuelta al mundo relacion de la expedición 1 5 downloaded from uniport edu ng on may 29 2023 by guest la primera vuelta al mundo relacion de la expedición this is likewise one of the factors by obtaining the soft documents of this la primera vuelta al mundo relacion de la expedición by online you might not require more epoch to

la primera vuelta al mundo relación de la expedición de - Mar 31 2022

web ³ al gran regalo de la undã a poco confuso ³ n de lemond por su participaciã n para un deporte individual general o campeã el tour de francia en amp zatilde ³ a grados trudeau exalta la relacin entre la ue y canad el mundo april 8th 2020 el mundo trudeau exalta la relación entre la ue y dadin era la primera

la primera vuelta al mundo el brutal viaje de magallanes y bbc - Jul 15 2023

web sep 21 2019 el 20 de septiembre de 1519 una flota compuesta por cinco naves y 250 hombres comandada por fernando magallanes partió desde el sur de españa en busca de una ruta a las islas de las especias

de expediciones y la primera vuelta al mundo blogger - Feb 27 2022

web con el descubrimiento de las nuevas tierras se abrió una controversia sobre el derecho a navegar y conquistar una disputa que la máxima autoridad de la época el papa alejandro vi decidiría de manera bastante arbitraria trazando una línea a 370 leguas de las islas azores para dividir el mundo todo lo que quedará al este de la línea

la primera vuelta al mundo relación de la expedición de - Jun 14 2023

web la primera vuelta al mundo relación de la expedición de magallanes y elcano el libro de bolsillo historia ebook pigafetta antonio riquier isabel de amazon es libros

la primera vuelta al mundo relación de la expedición de - Aug 16 2023

web la primera vuelta al mundo relación de la expedición de magallanes y elcano el libro de bolsillo historia spanish edition by antonio pigafetta isabel de riquier la expedición financiada por la corona de castilla de las cinco naves al mando del portugués magallanes que el 10 de agosto de 1519 partía de sevilla con el fin de

la primera vuelta al mundo relacion de la expedición pdf - Jul 03 2022

web may 25 2023 discover the notice la primera vuelta al mundo relacion de la expedición pdf that you are looking for it will

extremely squander the time however below like you visit this web page it will be appropriately enormously easy to get as competently as download lead la primera vuelta al mundo relacia n de la expedi pdf it will not receive many

la primera vuelta al mundo relacia n de la expedi pdf - Dec 28 2021

web apr 16 2023 la primera vuelta al mundo relacia n de la expedi 2 5 downloaded from uniport edu ng on april 16 2023 by guest de juana de castilla y nos lleva a conocer el amor que sintió por su esposo la ternura con la que crió a sus hijos la valentía con la que afrontó su destino y la abnegación con la que sufrió su encierro y las

la primera vuelta al mundo relacia n de la expedi pdf - Feb 10 2023

web apr 27 2023 la primera vuelta al mundo relacia n de la expedi 2 5 downloaded from uniport edu ng on april 27 2023 by guest student while placing a strong emphasis on developing intercultural understanding and on spanish as a world language tok and cas are fully integrated into the learning and all language is taught and practised in context

la primera vuelta al mundo la aventura de la historia - Apr 12 2023

web jan 30 2019 la nao victoria con la que elcano completó la primera vuelta al mundo tras una etapa de desorientación dos de los principales oficiales gonzalo gómez de espinosa y juan sebastián elcano decidieron cumplir con las instrucciones recibidas comprar especias y volver a españa el primero eligió la ruta más lógica cruzar el

la primera vuelta al mundo relacia n de la expedi copy - Aug 04 2022

web is la primera vuelta al mundo relacia n de la expedi below relacion del último viage al estrecho de magallanes de la fragata de s m santa maría de la cabeza en los años de 1785 y 1786 josé vargas ponce 1788 arquitectura civil recta y obliqua considerada y dibuxada en el templo de ierusalen promovida a suma perfeccion en el templo

la primera vuelta al mundo relacia n de la expedi pdf - Jan 09 2023

web la primera vuelta al mundo relacia n de la expedi thank you unconditionally much for downloading la primera vuelta al mundo relacia n de la expedi most likely you have knowledge that people have see numerous times for their favorite books later this la primera vuelta al mundo relacia n de la expedi but end happening in harmful

la primera vuelta al mundo relación de la expedición de - May 01 2022

web aug 15 2023 april 28th 2020 la primera conclusión que primaria y el juego en pos clcl trabajo en la escuela y su vuelta al juego supono l o del otro y del mundo una relacia n murua dc gua para padres la importancia de una crianza amorosa april 3rd 2020 esa voz amorosa será la que más lo tranquilice en el mundo exterior porque la conoce desde

la primera vuelta al mundo relacia n de la expedi pdf - Jun 02 2022

web circunstancias de uno de los viajes más difíciles de la historia una aventura histórica porque todo lo que se narra corresponde a hechos reales y sobrepasa a cualquier relato de ficción la primera vuelta al mundo relación documentada del viaje de hernando de magallanes y juan sebastián del cano 1519 1522

kanada west Üniversitesi ni tercih etmeniz için 18 neden - Jul 03 2022

web 2 vancouver kanada nın en ılıman iklimine ve üst düzey eğitim kültür oranına sahip şehridir 3 İş olanakları toronto kadar fazla olmamasına rağmen rekabet çok daha düşük olduğu için iş bulmak özellikle part time iş çok daha

[educational management tasks north west university pdf uniport edu](#) - Jun 14 2023

web may 21 2023 we give educational management tasks north west university and numerous books collections from fictions to scientific research in any way accompanied by them is this educational management tasks north west university that can be your partner handbook of research on challenges for human resource management in the

educational management tasks north west university wrbb neu - Oct 06 2022

web educational management tasks north west university 1 educational management tasks north west university thank you categorically much for downloading educational management tasks north west university most likely you have knowledge that people have see numerous time for their favorite books later this educational management

[educational management tasks north west university](#) - Sep 05 2022

web may 10th 2018 explore ashford university s education studies degree courses and online classes focuses include education history learning and child development hashemite university wikipedia may 6th 2018 geographical location the hashemite university is located in the city of zarqa on a site parallel to two international highways

[educational management tasks north west university pdf uniport edu](#) - May 01 2022

web educational management tasks north west university 1 9 downloaded from uniport edu ng on may 2 2023 by guest educational management tasks north west university this is likewise one of the factors by obtaining the soft documents of this educational management tasks north west university by online you might not

[university of northwest](#) - Aug 04 2022

web the educational mission of university of northwest is to prepare students personally and professionally for future leadership roles in an international setting in its undergraduate and graduate degree programs unw provides students with the competencies they need for professional careers as well as for further academic study

educational management tasks north west university 2023 - Jan 29 2022

web higher education level describes the cultural social and political influencers impacting management and organization helps conceptualize african management theories to address organizational effectiveness addresses the current management and organizational practices in africa in identifying challenges and provides guidance for

[educational management tasks north west university](#) - Mar 31 2022

web educational management tasks north west university if you ally need such a referred educational management tasks north west university books that will offer you worth get the no question best seller from us currently from several preferred

authors if you desire to funny books lots of novels tale jokes and more fictions collections are
[educational management tasks north west university pdf uniport edu](#) - Jul 15 2023

web jun 16 2023 educational management tasks north west university is available in our book collection an online access to it is set as public so you can get it instantly our book servers saves in multiple countries allowing you to get the most less latency time to

[educational management tasks north west university pdf uniport edu](#) - Aug 16 2023

web educational management tasks north west university 1 11 downloaded from uniport edu ng on september 7 2023 by guest educational management tasks north west university as recognized adventure as well as experience just about lesson amusement as well as deal can be gotten by just checking out a book educational

[educational management tasks north west university copy uniport edu](#) - Jan 09 2023

web apr 3 2023 those all we have the funds for educational management tasks north west university and numerous ebook collections from fictions to scientific research in any way along with them is this educational management tasks north west university that can be your partner education for victory 1942 ecrm 2018 17th european conference on

north west university masters in education legonconnect - Feb 10 2023

web north west university masters in education this faculty aims to be a leader in postgraduate training support and exploring new approaches to training educational management and leadership 4ew l01 contact 4ex l01 distance o605p v m educational psychology 4ef l01 o607p english language education 4eg l01

educational management tasks north west university pdf - Nov 07 2022

web 4 educational management tasks north west university 2022 11 05 and comprehensive paradigm featuring a wide range of topics such as technology leadership in schools technology integration in educational administration and professional development this book is ideal for school administrators educational leaders principals it consultants

home education north west university - May 13 2023

web education teacher education at the north west university has had a proud history since 1919 and the faculty of education is now the largest provider of contact and open distance learning in south africa the fact that so many teachers choose to upgrade their professional qualifications with us and that so many prospective students apply for

educational management tasks north west university copy - Apr 12 2023

web educational management tasks north west university 1 educational management tasks north west university professional development for educational management a regional program to improve school administration in the pacific northwest leaders helping leaders ebook professional development for educational management

[study finder study in turkey](#) - Dec 08 2022

web universities universities programs discover turkiye6 turkey at a glance culture cities climate food culture transportation tips for students learning turkish this web site is managed by the council of higher education useful information frequently asked questions scholarships recognition and equivalence contact

educational management tasks north west university - Dec 28 2021

web jul 3 2023 educational management tasks north west university collections that we have this is why you remain in the best website to see the incredible books to have handbook of research on challenges for human resource management in the covid 19 era figueiredo paula cristina nunes 2022 06 10 the importance of people in

university of northwest türkiye direktörlüğü - Mar 11 2023

web university of northwest şimdi türk öğrencilerin yanında kariyer planlamanızı asla ertelemeyin yeni bir gelecek iyi bir kariyer neden olmasın university of northwest şimdi türk öğrencilerin yanında kariyer planlamanızı asla ertelemeyin Çağrı merkezi 0312 911 50 91 ana sayfa

İstanbul Üniversitesi tarihten geleceğe bilim köprüsü 1453 - Jun 02 2022

web myk Çevirmen yeterlilikleri ile ilgili değerlendirme 11 01 2019 yeni dönem almanca ve İngilizce kurslarımız başlıyor 14 01 2019 2018 2019 bahar yarıyılı yatay geçiş başvuruları 11 01 2019 2018 2019 12 dönem formasyon yeni dönem başvurusu 08 01 2019

educational management tasks north west university uniport edu - Feb 27 2022

web may 16 2023 2022 02 10 inclusive education has been phased into south africa since 2001 but relies heavily upon adequate support services to support learners and teachers educational management tasks north west university 3 11

fotos new york fotos und bilder von sehenswürdigkeiten in new york - Feb 26 2022

web ansichten und bilder von new york im citysam fotoarchiv findet man sämtliche new york fotos sowie viele weitere fotoimpressionen der reiseführer auf citysam

heinzhaegele pinterest - Jan 28 2022

web stickersnews stickers autocollant ou affiche poster new york statue de la liberté cv 00020 stickers affiche stickers autocollant dimensions 29 7x42 cm a3 amazon fr cuisine maison skyline painting

new york kalender passende angebote jetzt bei weltbild - Mar 30 2022

web ausgewählte artikel zu new york kalender jetzt im großen sortiment von weltbild de entdecken sicheres und geprüftes online shopping mit weltbild erleben

bilderwelten new york 2019 wochenkalender mit 53 - Jan 08 2023

web 2 bilderwelten new york 2019 wochenkalender mit 53 2023 08 10 brainstorming session whether you re at work or school or just trying to figure out how to organize the paper that s due next week the sketchnote workbook comes with a 2

hour companion video that brings the ideas you read about in the book to life mike takes you on the

bilderwelten new york 2019 wochenkalender mit 53 großkarten - Mar 10 2023

web jul 1 2018 buy bilderwelten new york 2019 wochenkalender mit 53 großkarten by isbn 9783955046590 from amazon s book store free uk delivery on eligible orders

bilderwelten new york 2019 wochenkalender mit 53 download - Jun 01 2022

web 2 bilderwelten new york 2019 wochenkalender mit 53 2022 12 29 emperor domitian the book provides a detailed commentary on matters of historical importance in the text together with a discussion of suetonius life a comparison is offered between suetonius account and dio s version latin sources are utilized eileen gray a house under the sun

bilderwelten new york 2019 wochenkalender mit 53 pdf - Feb 09 2023

web bilderwelten new york 2019 wochenkalender mit 53 is available in our digital library an online access to it is set as public so you can get it instantly our books collection spans in multiple locations allowing you to get the most less latency time to download any of our books like this one kindly say the bilderwelten new york 2019

bilderwelten new york 2019 wochenkalender mit 53 pdf - Jul 02 2022

web mar 15 2023 bilderwelten new york 2019 wochenkalender mit 53 2 9 downloaded from uniport edu ng on march 15 2023 by guest english for the first time is deeply affecting it reflects the routines and sorrows and meditations of an intelligent pessimistic and experienced man written in the low

9783955046590 bilderwelten new york 2019 wochenkalender mit 53 - May 12 2023

web bilderwelten new york 2019 wochenkalender mit 53 großkarten finden sie alle bücher von bei der büchersuchmaschine eurobuch com können sie antiquarische und neubücher vergleichen und sofort zum bestpreis bestellen 9783955046590 kunth verlag kalender auflage 1 publiziert 2018 07 18t00 00 01z

bilderwelten new york 2019 wochenkalender mit 53 großkarten amazon de - Jun 13 2023

web bilderwelten new york 2019 wochenkalender mit 53 großkarten amazon de bücher

bilderwelten new york 2019 wochenkalender mit 53 großkarten - Jul 14 2023

web jul 1 2018 bilderwelten new york 2019 wochenkalender mit 53 großkarten on amazon com free shipping on qualifying offers bilderwelten new york 2019 wochenkalender mit 53 großkarten

bilderwelten new york 2019 wochenkalender mit 53 großkarten - Dec 07 2022

web bilderwelten new york 2019 wochenkalender mit 53 großkarten amazon es libros

new york bilder - Dec 27 2021

web schauen sie sich einfach einmal die bilder über new york an gerne können sie uns auch ihre besten fotos und bilder über new york zusenden wenn sie weitere informationen über die sehenswürdigkeit über new york haben möchten dann klicken

sie einfach auf das bild die freiheitsstatue in new york das empire state building bei nacht
[bilderwelten new york 2019 wochenkalender mit 53 pdf pdf](#) - Apr 30 2022

web bilderwelten new york 2019 wochenkalender mit 53 pdf introduction bilderwelten new york 2019 wochenkalender mit 53 pdf pdf consumer engineering roy sheldon 1976 01 01 processmind arnold mindell 2012 12 19 einstein said i want to know the mind of god the rest are details this book is therapist arnold mindell s response

bilderwelten new york 2019 wochenkalender mit 53 pdf - Aug 03 2022

web 4 bilderwelten new york 2019 wochenkalender mit 53 2020 09 03 back to humboldt s numerous records of these expeditions one of these accounts views of the cordilleras and monuments of the indigenous peoples of the americas firmly established alexander von humboldt as the founder of mesoamerican studies in views of the

[bilderwelten new york 2019 kalender bei weltbild de bestellen](#) - Apr 11 2023

web jetzt bilderwelten new york 2019 bestellen und weitere tolle kalender entdecken auf weltbild de versandkostenfrei ab 29 bücher ab 5 30 tage widerrufsrecht

[bilderwelten new york 2019 kalender bei weltbild ch bestellen](#) - Nov 06 2022

web jetzt bilderwelten new york 2019 bestellen weitere kalender entdecken tolle kalender in grosser auswahl finden sie in unserem weltbild online shop versandkostenfrei

bilderwelten new york kalender 2019 kunth verlag - Aug 15 2023

web bilderwelten new york kalender 2019 kunth verlag postkartenkalender wochenkalender mit interessanten bildinformationen und 53 grußkarten 17 5 cm x 22 cm günstig auf amazon de große auswahl von top marken

bilderwelten new york 2019 wochenkalender mit 53 grußkarten by - Sep 04 2022

web bilderwelten new york 2019 wochenkalender mit 53 grußkarten by zitate geburtstag irisch 3 teilige bilder schwarz weiss 7e60 eicher traktoren 2019 wochenkalender mit 53 bilderwelten new york 2019 wochenkalender mit 53 vier bilder ein wort new york 17

bilderwelten new york 2019 wochenkalender mit 53 grußkarten by - Oct 05 2022

web may 23rd 2020 kalender bilderwelten new york 2019 kunth isbn 3955046591 ean 9783955046590 bilderwelten new york 2019 wochenkalender mit 53 september 18th 2019 bilderwelten new york 2019 wochenkalender mit 53 grußkarten on free shipping on qualifying offers newskinmedia