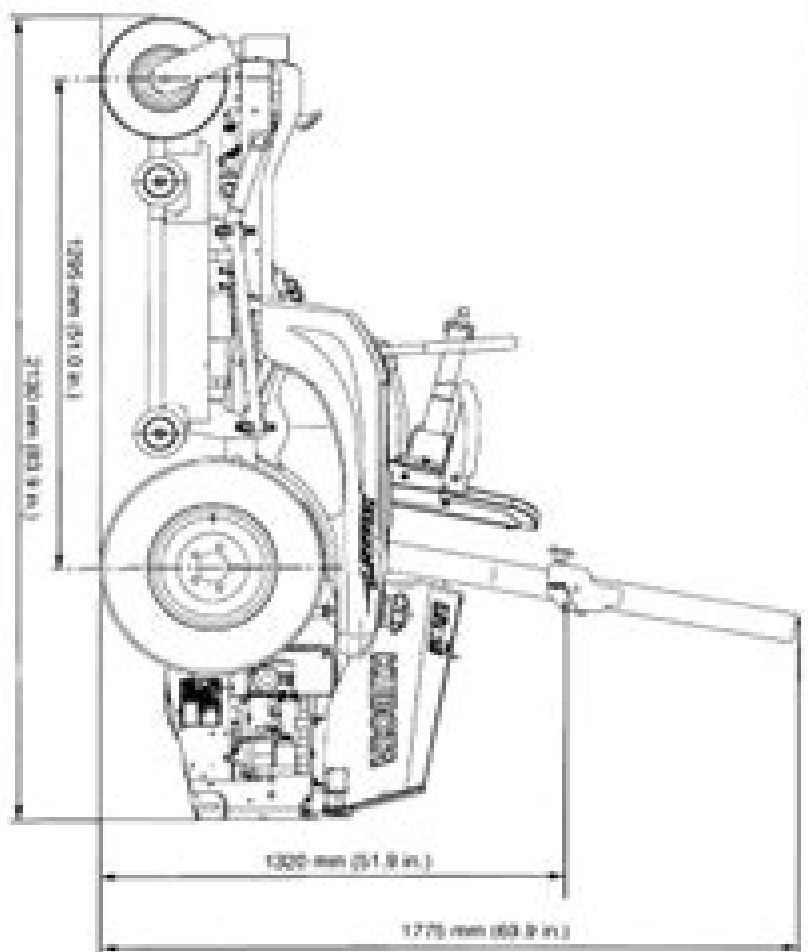
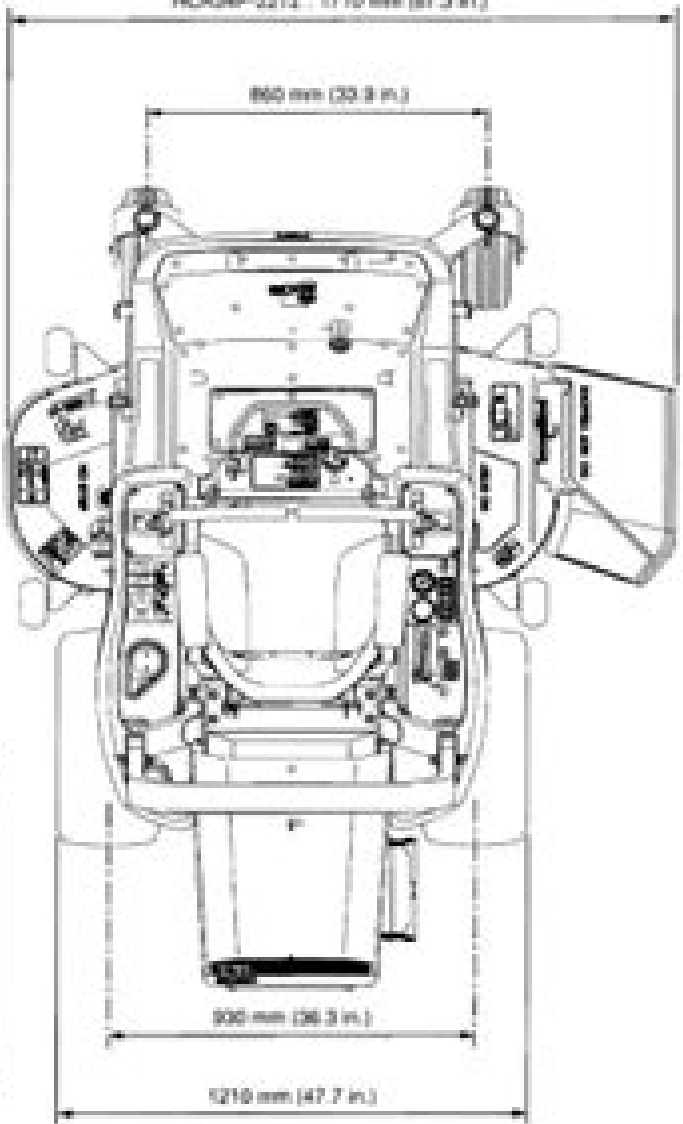


# DIMENSIONS

FCX40P-2002 : 1550 mm (61.0 in.)  
FCX40P-2272 : 1710 mm (67.3 in.)



# Kubota Service Manual Zd 227

**Ensheng Dong**



**Kubota Service Manual Zd 227:**

Embark on a transformative journey with Explore the World with is captivating work, **Kubota Service Manual Zd 227** . This enlightening ebook, available for download in a convenient PDF format PDF Size: , invites you to explore a world of boundless knowledge. Unleash your intellectual curiosity and discover the power of words as you dive into this riveting creation. Download now and elevate your reading experience to new heights .

<https://staging.conocer.cide.edu/data/publication/default.aspx/Infectious%20Diseases%20Graphic%20Organizer.pdf>

## **Table of Contents Kubota Service Manual Zd 227**

1. Understanding the eBook Kubota Service Manual Zd 227
  - The Rise of Digital Reading Kubota Service Manual Zd 227
  - Advantages of eBooks Over Traditional Books
2. Identifying Kubota Service Manual Zd 227
  - Exploring Different Genres
  - Considering Fiction vs. Non-Fiction
  - Determining Your Reading Goals
3. Choosing the Right eBook Platform
  - Popular eBook Platforms
  - Features to Look for in an Kubota Service Manual Zd 227
  - User-Friendly Interface
4. Exploring eBook Recommendations from Kubota Service Manual Zd 227
  - Personalized Recommendations
  - Kubota Service Manual Zd 227 User Reviews and Ratings
  - Kubota Service Manual Zd 227 and Bestseller Lists
5. Accessing Kubota Service Manual Zd 227 Free and Paid eBooks
  - Kubota Service Manual Zd 227 Public Domain eBooks
  - Kubota Service Manual Zd 227 eBook Subscription Services
  - Kubota Service Manual Zd 227 Budget-Friendly Options

6. Navigating Kubota Service Manual Zd 227 eBook Formats
  - ePub, PDF, MOBI, and More
  - Kubota Service Manual Zd 227 Compatibility with Devices
  - Kubota Service Manual Zd 227 Enhanced eBook Features
7. Enhancing Your Reading Experience
  - Adjustable Fonts and Text Sizes of Kubota Service Manual Zd 227
  - Highlighting and Note-Taking Kubota Service Manual Zd 227
  - Interactive Elements Kubota Service Manual Zd 227
8. Staying Engaged with Kubota Service Manual Zd 227
  - Joining Online Reading Communities
  - Participating in Virtual Book Clubs
  - Following Authors and Publishers Kubota Service Manual Zd 227
9. Balancing eBooks and Physical Books Kubota Service Manual Zd 227
  - Benefits of a Digital Library
  - Creating a Diverse Reading Collection Kubota Service Manual Zd 227
10. Overcoming Reading Challenges
  - Dealing with Digital Eye Strain
  - Minimizing Distractions
  - Managing Screen Time
11. Cultivating a Reading Routine Kubota Service Manual Zd 227
  - Setting Reading Goals Kubota Service Manual Zd 227
  - Carving Out Dedicated Reading Time
12. Sourcing Reliable Information of Kubota Service Manual Zd 227
  - Fact-Checking eBook Content of Kubota Service Manual Zd 227
  - Distinguishing Credible Sources
13. Promoting Lifelong Learning
  - Utilizing eBooks for Skill Development
  - Exploring Educational eBooks
14. Embracing eBook Trends
  - Integration of Multimedia Elements

- Interactive and Gamified eBooks

## **Kubota Service Manual Zd 227 Introduction**

Free PDF Books and Manuals for Download: Unlocking Knowledge at Your Fingertips In today's fast-paced digital age, obtaining valuable knowledge has become easier than ever. Thanks to the internet, a vast array of books and manuals are now available for free download in PDF format. Whether you are a student, professional, or simply an avid reader, this treasure trove of downloadable resources offers a wealth of information, conveniently accessible anytime, anywhere. The advent of online libraries and platforms dedicated to sharing knowledge has revolutionized the way we consume information. No longer confined to physical libraries or bookstores, readers can now access an extensive collection of digital books and manuals with just a few clicks. These resources, available in PDF, Microsoft Word, and PowerPoint formats, cater to a wide range of interests, including literature, technology, science, history, and much more. One notable platform where you can explore and download free Kubota Service Manual Zd 227 PDF books and manuals is the internet's largest free library. Hosted online, this catalog compiles a vast assortment of documents, making it a veritable goldmine of knowledge. With its easy-to-use website interface and customizable PDF generator, this platform offers a user-friendly experience, allowing individuals to effortlessly navigate and access the information they seek. The availability of free PDF books and manuals on this platform demonstrates its commitment to democratizing education and empowering individuals with the tools needed to succeed in their chosen fields. It allows anyone, regardless of their background or financial limitations, to expand their horizons and gain insights from experts in various disciplines. One of the most significant advantages of downloading PDF books and manuals lies in their portability. Unlike physical copies, digital books can be stored and carried on a single device, such as a tablet or smartphone, saving valuable space and weight. This convenience makes it possible for readers to have their entire library at their fingertips, whether they are commuting, traveling, or simply enjoying a lazy afternoon at home. Additionally, digital files are easily searchable, enabling readers to locate specific information within seconds. With a few keystrokes, users can search for keywords, topics, or phrases, making research and finding relevant information a breeze. This efficiency saves time and effort, streamlining the learning process and allowing individuals to focus on extracting the information they need. Furthermore, the availability of free PDF books and manuals fosters a culture of continuous learning. By removing financial barriers, more people can access educational resources and pursue lifelong learning, contributing to personal growth and professional development. This democratization of knowledge promotes intellectual curiosity and empowers individuals to become lifelong learners, promoting progress and innovation in various fields. It is worth noting that while accessing free Kubota Service Manual Zd 227 PDF books and manuals is convenient and cost-effective, it is vital to respect copyright laws and intellectual property rights. Platforms offering free downloads often operate within legal

boundaries, ensuring that the materials they provide are either in the public domain or authorized for distribution. By adhering to copyright laws, users can enjoy the benefits of free access to knowledge while supporting the authors and publishers who make these resources available. In conclusion, the availability of Kubota Service Manual Zd 227 free PDF books and manuals for download has revolutionized the way we access and consume knowledge. With just a few clicks, individuals can explore a vast collection of resources across different disciplines, all free of charge. This accessibility empowers individuals to become lifelong learners, contributing to personal growth, professional development, and the advancement of society as a whole. So why not unlock a world of knowledge today? Start exploring the vast sea of free PDF books and manuals waiting to be discovered right at your fingertips.

### **FAQs About Kubota Service Manual Zd 227 Books**

How do I know which eBook platform is the best for me? Finding the best eBook platform depends on your reading preferences and device compatibility. Research different platforms, read user reviews, and explore their features before making a choice. Are free eBooks of good quality? Yes, many reputable platforms offer high-quality free eBooks, including classics and public domain works. However, make sure to verify the source to ensure the eBook credibility. Can I read eBooks without an eReader? Absolutely! Most eBook platforms offer web-based readers or mobile apps that allow you to read eBooks on your computer, tablet, or smartphone. How do I avoid digital eye strain while reading eBooks? To prevent digital eye strain, take regular breaks, adjust the font size and background color, and ensure proper lighting while reading eBooks. What the advantage of interactive eBooks? Interactive eBooks incorporate multimedia elements, quizzes, and activities, enhancing the reader engagement and providing a more immersive learning experience. Kubota Service Manual Zd 227 is one of the best book in our library for free trial. We provide copy of Kubota Service Manual Zd 227 in digital format, so the resources that you find are reliable. There are also many Ebooks of related with Kubota Service Manual Zd 227. Where to download Kubota Service Manual Zd 227 online for free? Are you looking for Kubota Service Manual Zd 227 PDF? This is definitely going to save you time and cash in something you should think about.

### **Find Kubota Service Manual Zd 227 :**

**infectious diseases graphic organizer**

~~infiniti qx56 complete workshop repair manual 2008~~

**industrial electronics n4 previous question papers memos**

**infiniti g35 coupe complete workshop repair manual 2005**

**induction motor torque control**

infocus lp240 user manual

**indonesia tax guide 2013 pkf**

indmar monsoon 340 service manual

industrial electronics question paper n1 28 july 2015

infantry tx26r manual

*induction cooktop wiring diagram*

**information processing nquestion papers**

**infinity speakers manual**

inference poems high school

industria electronics n2 previous college question papers

**Kubota Service Manual Zd 227 :**

**lost enlightenment central asia s golden age from the arab** - Apr 01 2022

web buy lost enlightenment central asia s golden age from the arab conquest to tamerlane illustrated by starr s frederick isbn 0783324821581 from amazon s book store everyday low prices and free delivery on eligible orders

**book review lost enlightenment central asia s golden age from** - Nov 08 2022

web feb 11 2014 lost enlightenment central asia s golden age from the arab conquest to tamerlane s frederick starr princeton university press october 2013 find this book central asia is an often overlooked but vitally important geopolitical space in which the countries of kazakhstan kyrgyzstan tajikistan turkmenistan and uzbekistan are located

lost enlightenment central asia s golden age from the arab - Mar 12 2023

web oct 6 2013 in fact they were from central asia drawn from the persianate and turkic peoples of a region that today extends from kazakhstan southward through afghanistan and from the easternmost province

*lost enlightenment central asia 039 s golden age from the* - Jan 10 2023

web sep 10 2013 lost enlightenment central asia s golden age from the arab conquest to tamerlane princeton university press september 2013 lost enlightenment recounts how between the years 800 and 1200 central asia led the world in trade and economic development the size and sophistication of its cities the refinement of its arts and

**lost enlightenment central asia s golden age from the arab** - Feb 11 2023

web feb 1 2015 this thoroughly unfortunate book purports to be a kind of intellectual history of central asia from early in



the common era to the end of the timurid period with emphasis upon the pre mongol islamic era but it covers only what starr regards as valuable and significant and only what he could learn from secondary literature with an aim of

**s frederick starr lost enlightenment central asia s golden age from** - Oct 07 2022

web dec 1 2014 lost enlightenment central asia s golden age from the arab conquest to tamerlane the american historical review volume 119 issue 5 december 2014 pages 1658 1659 doi org 10 1093 ahr 119 5 1658

*lost enlightenment central asia s golden age from the arab* - Jul 16 2023

web jul 14 2014 s frederick starr has written a new history of central asia from the seventh to the fourteenth century a book he writes in his preface written not because i knew

*pdf s frederick starr the lost enlightenment central asia s golden* - Aug 05 2022

web review by susanne olsson of lost enlightenment central asia s golden age from the arab conquest to tamerlane s frederick starr

lost enlightenment central asia s golden age from the arab - May 02 2022

web feb 4 2015 article deweese2015lostec title lost enlightenment central asia s golden age from the arab conquest to tamerlane by frederick starr review author devin a deweese journal journal of interdisciplinary history year 2015 volume 45 pages 611 613

**lost enlightenment de gruyter** - Jan 30 2022

web oct 6 2013 overview contents about this book in this sweeping and richly illustrated history s frederick starr tells the fascinating but largely unknown story of central asia s medieval enlightenment through the eventful lives and astonishing accomplishments of its greatest minds remarkable figures who built a bridge to the modern world

**lost enlightenment princeton university press** - Aug 17 2023

web jun 2 2015 lost enlightenment central asia s golden age from the arab conquest to tamerlane s frederick starr the forgotten story of central asia s enlightenment its rise fall and enduring legacy

**lost enlightenment central asia s golden age from the arab** - Jul 04 2022

web central asia s golden age from the arab conquest to tamerlane author susanne olsson journal comparative islamic studies year 2014 volume 8 pages 211 213 url api semanticscholar org corpusid 144755609

**lost enlightenment central asia s golden age from the arab** - Jun 15 2023

web xxxvii 634 pages 25 cm includes bibliographical references pages 541 609 and index the center of the world worldly urbanists ancient land a cauldron of skills ideas and faiths how arabs conquered central asia and central asia then set the stage to conquer baghdad east wind over baghdad wandering scholars khurasan

project muse lost enlightenment - Sep 06 2022

web in this sweeping and richly illustrated history s frederick starr tells the fascinating but largely unknown story of central asia s medieval enlightenment through the eventful lives and astonishing accomplishments of its greatest minds remarkable figures who built a bridge to the modern world

*lost enlightenment central asia s golden age from the arab* - Sep 18 2023

web the arab conquest of central asia between 680 and 740 the central asians central role in the abbasid revolution in 750 and caliph mamun s capture of baghdad in 819 opened a new phase in the life of the already ancient civilization of central asia

**lost enlightenment central asia s golden age from the arab** - Feb 28 2022

web oct 6 2013 lost enlightenment recounts how between the years 800 and 1200 central asia led the world in trade and economic development the size and sophistication of its cities the refinement of its arts and above all in the advancement of

**lost enlightenment central asia s golden age from the** - Jun 03 2022

web in this sweeping and richly illustrated history s frederick starr tells the fascinating but largely unknown story of central asia s medieval enlightenment through the eventful lives and

**lost enlightenment central asia s golden age from the arab** - May 14 2023

web jun 2 2015 the forgotten story of central asia s enlightenment its rise fall and enduring legacy in this sweeping and richly illustrated history s frederick starr tells the fascinating but largely unknown story of central asia s medieval enlightenment through the eventful lives and astonishing accomplishments of its greatest minds remarkable

**pdf rvw of lost enlightenment central asia s golden age from** - Apr 13 2023

web history of art golden age rvw of lost enlightenment central asia s golden age from the arab conquest to tamerlane by s frederick starr princeton nj princeton university press 2013

**lost enlightenment central asia s golden age from the** - Dec 09 2022

web starr set himself an ambitious goal in uncovering the central asian roots to the islamic enlightenment of 800 1200 ad yet he exceeds these goals by giving the reader unique insights into the cultures of the central asian regions prior to the muslim invasions as well as a look at tangential zoroastrian and buddhist cultures that continued to

[i cuccioli tocca senti ascolta ediz a colori cartonato amazon it](#) - Sep 05 2022

web ediz a colori casalis anna wolf tony amazon it giochi e giocattoli i cuccioli tocca senti ascolta ediz a colori cartonato libro sonoro 8 settembre 2021

*cuccioli premi e ascolta ediz a colori antonella abbatiello copy* - Dec 28 2021

web cuccioli premi e ascolta ediz a colori francesca pellegrino 2019 the most important thing antonella abbatiello 2022 03 15 the animals of the forest have assembled to discuss what is the most important thing to have a trunk like an elephant quills

like a porcupine or a long neck like a giraffe naturally every animal is convinced that its

**cuccioli premi e ascolta ediz a colori 9788809877092** - Apr 12 2023

web ediz a colori divertiti insieme ai cuccioli di tutto il mondo leggi le storie in rima e premi i pulsanti per sentire il verso di ciascuno di loro un grande libro con robuste pagine di cartone dedicato ai cuccioli con simpatiche filastrocche e 5 pulsanti sonori

*cuccioli premi e ascolta ediz a colori pdf* - Jun 14 2023

web pio pio premi e ascolta ediz a colori apr 02 2023 bau bau premi e ascolta ediz a colori may 23 2022 cuccioli carezzanimali tocca e ascolta ediz a colori jun 11 2021 roarr tocca e ascolta ediz a colori oct 16 2021 i mezzi di trasporto cerca e ascolta ediz a colori sep 14 2021 bauuu tocca e ascolta ediz a colori

**cuccioli premi e ascolta ediz a colori libreria universitaria** - May 13 2023

web acquista cuccioli premi e ascolta ediz a colori su libreria universitaria spedizione gratuita sopra i 25 euro su libreria universitaria

**raiply molto più di quanto immagini** - Jan 29 2022

web we would like to show you a description here but the site won t allow us

*cuccioli premi e ascolta ediz a colori cartonné amazon com be* - Aug 16 2023

web ediz a colori cartonné illustré 4 septembre 2019 Édition en italien de francesca pellegrino auteur 2 plus afficher tous les formats et éditions

*cuccioli serie animata wikipedia* - Feb 27 2022

web le avventure dei sei indivisibili amici ci avvicineranno alle leggende e alle ambientazioni descritte dal mercante veneziano ne il milione con l aggiunta di alcune note di colore e sempre all insegna di ironia e divertimento

[cuccioli premi e ascolta ediz a colori pellegrino francesca](#) - Oct 06 2022

web divertiti insieme ai cuccioli di tutto il mondo leggi le storie in rima e premi i pulsanti per sentire il verso di ciascuno di loro un grande libro con robuste pagine di cartone dedicato ai cuccioli con simpatiche filastrocche e 5 pulsanti sonori

**cuccioli carezzanimali tocca e ascolta ediz a colori** - Jul 03 2022

web compra cuccioli carezzanimali tocca e ascolta ediz a colori spedizione gratuita su ordini idonei

*cuccioli premi e ascolta ediz a colori pellegrino francesca* - May 01 2022

web le migliori offerte per cuccioli premi e ascolta ediz a colori pellegrino francesca sono su ebay confronta prezzi e caratteristiche di prodotti nuovi e usati molti articoli con consegna gratis

**cuccioli premi e ascolta ediz a colori amazon com br** - Feb 10 2023

web compre online cuccioli premi e ascolta ediz a colori de pellegrino francesca nicolucci andrea storino sara na amazon

frete grÁtis em milhares de produtos com o amazon prime encontre diversos livros em inglêS e outras línguas com ótimos preços

[libri francesca pellegrino cuccioli premi e ascolta ediz a colori](#) - Mar 31 2022

web libri francesca pellegrino cuccioli premi e ascolta ediz a colori eur 12 90 zu verkaufen creata da sellrapido vendi i tuoi prodotti gestisci le tue 235080495117

**cuccioli premi e ascolta ediz a colori francesca pellegrino** - Nov 07 2022

web divertiti insieme ai cuccioli di tutto il mondo leggi le storie in rima e premi i pulsanti per sentire il verso di ciascuno di loro un grande libro con robuste pagine di cartone dedicato ai cuccioli con simpatiche filastrocche e 5 pulsanti sonori

**cuccioli premi e ascolta ediz a colori francesca pellegrino** - Jan 09 2023

web acquista online il libro cuccioli premi e ascolta ediz a colori di francesca pellegrino in offerta a prezzi imbattibili su mondadori store

[premi e ascolta libri libreria unilibro](#) - Dec 08 2022

web cuccioli premi e ascolta ediz a colori libro pellegrino francesca edizioni dami editore collana premi e ascolta 2019

*loading interface goodreads* - Aug 04 2022

web discover and share books you love on goodreads

**cuccioli premi e ascolta ediz a colori pellegrino francesca** - Jun 02 2022

web cuccioli premi e ascolta ediz a colori pellegrino francesca eur 12 90 in vendita premi e ascolta a colori pellegrino

francesca ean 9788809877092 età di lettura 276034177142

*cuccioli premi ascolta ediz abebooks* - Mar 11 2023

web cuccioli premi e ascolta ediz a colori by francesca pellegrino and a great selection of related books art and collectibles available now at abebooks com

**cuccioli premi e ascolta ediz a colori libreria ibs** - Jul 15 2023

web cuccioli premi e ascolta ediz a colori è un libro di francesca pellegrino pubblicato da dami editore acquista su ibs a 15 48

*free sounds download black octopus sound* - Jul 17 2023

web not only do you have to possess a high level of sound design and musical skills but there is also a large amount of work that goes on behind the scenes such free sounds

[black octopus sound facebook](#) - Dec 10 2022

web black octopus sound is a canadian label that offers royalty free samples edm loops and one shots for electronic music production save 40 until the 1st august 2023 and

**latin trap reggaeton vol 1 for serum black octopus sound** - Jun 04 2022

web jul 14 2023 who is black octopus sound black octopus sound is a go to sample library source for producers looking for good sound quality and lots of it the majority of

**black octopus sample packs samples loops splice sounds** - May 15 2023

web black octopus sound is a sample pack production company specializing in sound design for electronic music vocals hip hop and cinema scoring founded in 2011 by toby

black octopus sound - Jun 16 2023

web how do i contact support please email support blackoctopus sound com if you have any other questions or are experiencing difficulties downloading your purchase please e mail

black octopus sound releases illusion kvr audio - Aug 06 2022

web high quality sample packs and tools for music production

**black octopus sound** - Nov 28 2021

**black octopus sound leviathan 4 contest labelradar** - Dec 30 2021

web black octopus sound is a website that offers a wide range of products and services for mixing recording producing mastering and video editing you can sign in with your

sultry stutter house black octopus sound - Feb 12 2023

web black octopus sound rated 5 00 out of 5 49 95 24 98 siren by veela main demo add to wishlist add to cart black octopus mega vocal bundle black octopus

*shop black octopus sound* - Aug 18 2023

web shop 1792 results royalty free sound effects samples loops for music production professional sound libraries high quality sounds free sample packs

**black octopus sound royalty free samples edm loops one** - Nov 09 2022

web black octopus sound is dedicated to providing sample libraries and audio production tools of elite quality located on the west coast of canada and founded in 2011 by electronic

**black octopus sound soundcloud** - Jan 11 2023

web black octopus sound serum ctrl demo 8 days ago get it here 150 play black octopus sound dark phonk mastermind demo 8 days ago 444 play black octopus

**top black octopus sound libraries royalty free samples and** - May 03 2022

web dec 16 2011 black octopus sound has released contemporary deep house a collection of samples ideal for deep house house and a variety of other bass music

**black octopus sound youtube** - Jul 05 2022

web black octopus sound rated 5 00 out of 5 49 95 24 98 siren by veela main demo add to wishlist add to cart black octopus mega vocal bundle black octopus

[black octopus sample packs samples loops splice sounds](#) - Mar 13 2023

web black octopus sound is a sample pack production company that offers high quality sounds for electronic music vocals hip hop and cinema scoring founded in 2011 by toby

*black octopus sound 50 off spring sale kvr audio* - Jan 31 2022

web black octopus sound is excited to announce the leviathan 4 producer contest 6 500 samples 325 serum presets 9gb of content this fourth installment in this legendary

**black octopus sound blackoctopus twitter** - Apr 02 2022

web oct 9 2023 the black octopus sound halloween sale is live offering up to 50 off on sample packs presets and software templates for electronic music and hip hop

[illusion melodic techno black octopus sound](#) - Apr 14 2023

web craft mesmerizing otherworldly techno tracks that ll keep the dancefloor grooving till dawn and let the beats weave an enchanting web of rhythm where reality blurs with illusion

*black octopus sound royalty free sample packs* - Sep 19 2023

web black octopus sound is a website that offers royalty free sample packs for various genres such as bass drums dubstep and more you can also find software templates presets and samples from various brands and labels

**black octopus sound sample packs loops producer loops** - Oct 08 2022

web oct 13 2022 grab it now blackoctopus sound com product hyperbits vocal toolkit explore the depths of vocal production and sampling with over 550 total samples i

[organic vocal samples black octopus sound hyperbits](#) - Sep 07 2022

web oct 19 2023 black octopus sound releases illusion melodic techno samples presets 19 oct 2023 kvrdeal until wednesday november 1 2023 black octopus

[black octopus sound 50 off halloween sale kvr audio](#) - Mar 01 2022

web mar 20 2023 kvr audio news the black octopus sound spring sale is live offering up to 50 off on sample packs presets and software templates for electronic music and