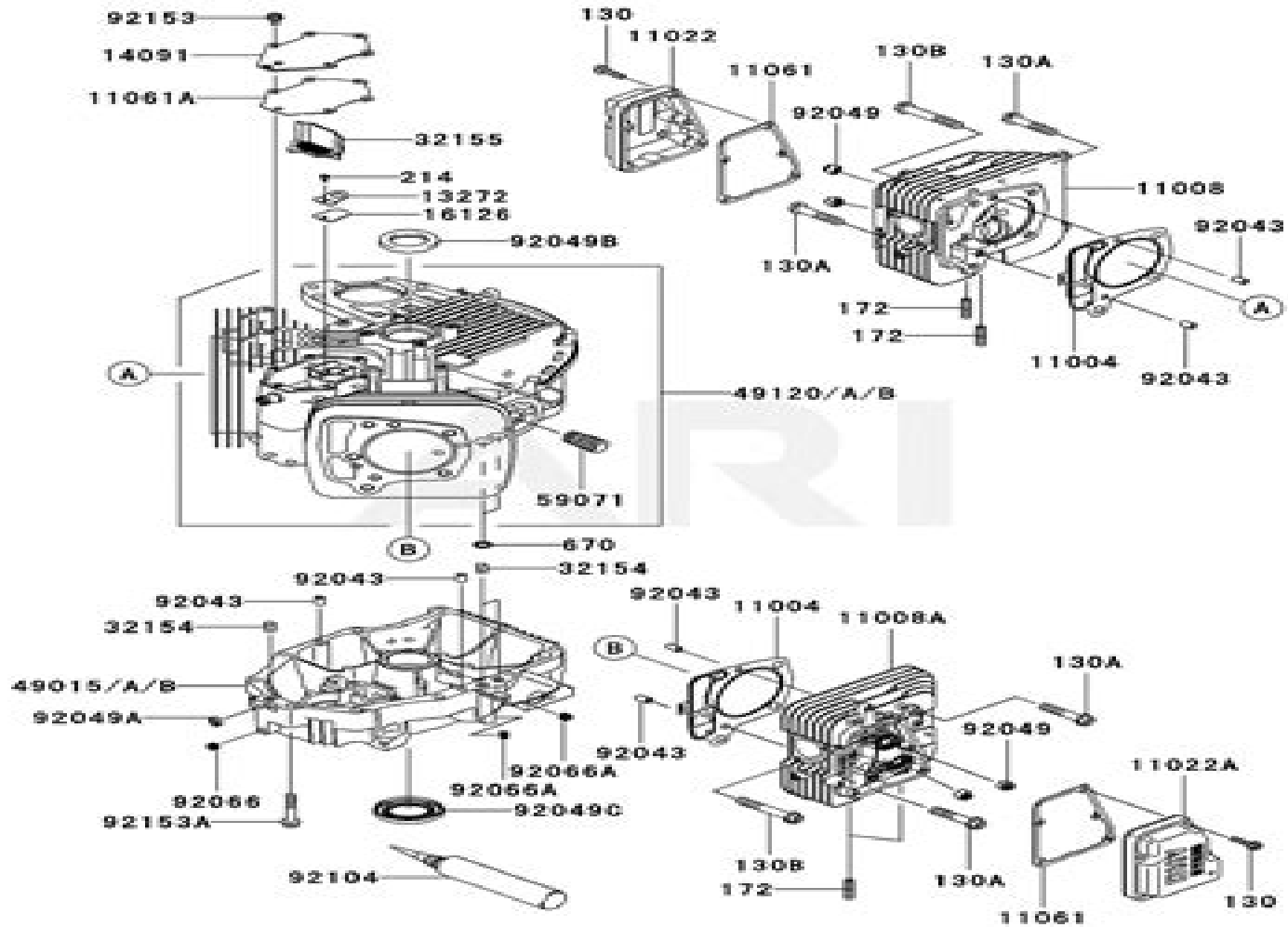


E0110-A652G



Kawasaki 23 Hp Service Manual

LP Steffe



Kawasaki 23 Hp Service Manual:

Kawasaki 23 Hp Service Manual Book Review: Unveiling the Magic of Language

In a digital era where connections and knowledge reign supreme, the enchanting power of language has been apparent than ever. Its ability to stir emotions, provoke thought, and instigate transformation is really remarkable. This extraordinary book, aptly titled "**Kawasaki 23 Hp Service Manual**," written by a very acclaimed author, immerses readers in a captivating exploration of the significance of language and its profound affect our existence. Throughout this critique, we shall delve to the book's central themes, evaluate its unique writing style, and assess its overall influence on its readership.

<https://staging.conocer.cide.edu/results/detail/fetch.php/elseviers%20dictionary%20of%20symbols%20and%20imagery.pdf>

Table of Contents Kawasaki 23 Hp Service Manual

1. Understanding the eBook Kawasaki 23 Hp Service Manual
 - The Rise of Digital Reading Kawasaki 23 Hp Service Manual
 - Advantages of eBooks Over Traditional Books
2. Identifying Kawasaki 23 Hp Service Manual
 - Exploring Different Genres
 - Considering Fiction vs. Non-Fiction
 - Determining Your Reading Goals
3. Choosing the Right eBook Platform
 - Popular eBook Platforms
 - Features to Look for in an eBook
 - User-Friendly Interface
4. Exploring eBook Recommendations from Kawasaki 23 Hp Service Manual
 - Personalized Recommendations
 - Kawasaki 23 Hp Service Manual User Reviews and Ratings
 - Kawasaki 23 Hp Service Manual and Bestseller Lists
5. Accessing Kawasaki 23 Hp Service Manual Free and Paid eBooks

- Kawasaki 23 Hp Service Manual Public Domain eBooks
 - Kawasaki 23 Hp Service Manual eBook Subscription Services
 - Kawasaki 23 Hp Service Manual Budget-Friendly Options
6. Navigating Kawasaki 23 Hp Service Manual eBook Formats
 - ePub, PDF, MOBI, and More
 - Kawasaki 23 Hp Service Manual Compatibility with Devices
 - Kawasaki 23 Hp Service Manual Enhanced eBook Features
 7. Enhancing Your Reading Experience
 - Adjustable Fonts and Text Sizes of Kawasaki 23 Hp Service Manual
 - Highlighting and Note-Taking Kawasaki 23 Hp Service Manual
 - Interactive Elements Kawasaki 23 Hp Service Manual
 8. Staying Engaged with Kawasaki 23 Hp Service Manual
 - Joining Online Reading Communities
 - Participating in Virtual Book Clubs
 - Following Authors and Publishers Kawasaki 23 Hp Service Manual
 9. Balancing eBooks and Physical Books Kawasaki 23 Hp Service Manual
 - Benefits of a Digital Library
 - Creating a Diverse Reading Collection Kawasaki 23 Hp Service Manual
 10. Overcoming Reading Challenges
 - Dealing with Digital Eye Strain
 - Minimizing Distractions
 - Managing Screen Time
 11. Cultivating a Reading Routine Kawasaki 23 Hp Service Manual
 - Setting Reading Goals Kawasaki 23 Hp Service Manual
 - Carving Out Dedicated Reading Time
 12. Sourcing Reliable Information of Kawasaki 23 Hp Service Manual
 - Fact-Checking eBook Content of Kawasaki 23 Hp Service Manual
 - Distinguishing Credible Sources
 13. Promoting Lifelong Learning
 - Utilizing eBooks for Skill Development

- Exploring Educational eBooks
- 14. Embracing eBook Trends
 - Integration of Multimedia Elements
 - Interactive and Gamified eBooks

Kawasaki 23 Hp Service Manual Introduction

In the digital age, access to information has become easier than ever before. The ability to download Kawasaki 23 Hp Service Manual has revolutionized the way we consume written content. Whether you are a student looking for course material, an avid reader searching for your next favorite book, or a professional seeking research papers, the option to download Kawasaki 23 Hp Service Manual has opened up a world of possibilities. Downloading Kawasaki 23 Hp Service Manual provides numerous advantages over physical copies of books and documents. Firstly, it is incredibly convenient. Gone are the days of carrying around heavy textbooks or bulky folders filled with papers. With the click of a button, you can gain immediate access to valuable resources on any device. This convenience allows for efficient studying, researching, and reading on the go. Moreover, the cost-effective nature of downloading Kawasaki 23 Hp Service Manual has democratized knowledge. Traditional books and academic journals can be expensive, making it difficult for individuals with limited financial resources to access information. By offering free PDF downloads, publishers and authors are enabling a wider audience to benefit from their work. This inclusivity promotes equal opportunities for learning and personal growth. There are numerous websites and platforms where individuals can download Kawasaki 23 Hp Service Manual. These websites range from academic databases offering research papers and journals to online libraries with an expansive collection of books from various genres. Many authors and publishers also upload their work to specific websites, granting readers access to their content without any charge. These platforms not only provide access to existing literature but also serve as an excellent platform for undiscovered authors to share their work with the world. However, it is essential to be cautious while downloading Kawasaki 23 Hp Service Manual. Some websites may offer pirated or illegally obtained copies of copyrighted material. Engaging in such activities not only violates copyright laws but also undermines the efforts of authors, publishers, and researchers. To ensure ethical downloading, it is advisable to utilize reputable websites that prioritize the legal distribution of content. When downloading Kawasaki 23 Hp Service Manual, users should also consider the potential security risks associated with online platforms. Malicious actors may exploit vulnerabilities in unprotected websites to distribute malware or steal personal information. To protect themselves, individuals should ensure their devices have reliable antivirus software installed and validate the legitimacy of the websites they are downloading from. In conclusion, the ability to download Kawasaki 23 Hp Service Manual has transformed the way we access information. With the convenience, cost-

effectiveness, and accessibility it offers, free PDF downloads have become a popular choice for students, researchers, and book lovers worldwide. However, it is crucial to engage in ethical downloading practices and prioritize personal security when utilizing online platforms. By doing so, individuals can make the most of the vast array of free PDF resources available and embark on a journey of continuous learning and intellectual growth.

FAQs About Kawasaki 23 Hp Service Manual Books

How do I know which eBook platform is the best for me? Finding the best eBook platform depends on your reading preferences and device compatibility. Research different platforms, read user reviews, and explore their features before making a choice. Are free eBooks of good quality? Yes, many reputable platforms offer high-quality free eBooks, including classics and public domain works. However, make sure to verify the source to ensure the eBook credibility. Can I read eBooks without an eReader? Absolutely! Most eBook platforms offer web-based readers or mobile apps that allow you to read eBooks on your computer, tablet, or smartphone. How do I avoid digital eye strain while reading eBooks? To prevent digital eye strain, take regular breaks, adjust the font size and background color, and ensure proper lighting while reading eBooks. What the advantage of interactive eBooks? Interactive eBooks incorporate multimedia elements, quizzes, and activities, enhancing the reader engagement and providing a more immersive learning experience. Kawasaki 23 Hp Service Manual is one of the best book in our library for free trial. We provide copy of Kawasaki 23 Hp Service Manual in digital format, so the resources that you find are reliable. There are also many Ebooks of related with Kawasaki 23 Hp Service Manual. Where to download Kawasaki 23 Hp Service Manual online for free? Are you looking for Kawasaki 23 Hp Service Manual PDF? This is definitely going to save you time and cash in something you should think about.

Find Kawasaki 23 Hp Service Manual :

elseviers dictionary of symbols and imagery

[ema jane whose rib am i](#)

[emergency excuses kit](#)

[elusive gypsy](#)

[embracing ultimate reality a soul path](#)

[elgar orchestral music](#)

[ell monstro y el osito](#)

elizabeth takes off on weight gain weight loss self-image and self-esteem

elves stories of trolls and elemental beings icelandic folktales ll

embrace of life the sculpture of gustav v

elliott puckette new paintings

emergency medical procedures for the school

emergence of an american left civil war

embedded microcontrollers

elmos world drawing

Kawasaki 23 Hp Service Manual :

chem test 2 practice chem 13 news exam 2009 - Dec 27 2021

web chem 13 news exam 2009 answers ka 7 10 4 at 298 k for hno 2 cc ch 3 cl ch 3 cl cc ch 3 cl cl ch 3 cl cc a b c d ch 3 ccch 3 cl cc ch 3 ch 3 ch 3 ch 3 e 4 chem 13 news exam 2009 university of waterloo 13 which of the following statements is true a a single covalent bond consists of a single

apologia chemistry module 13 study guide flashcards - Mar 10 2023

web since the answer is obtained by reading a graph the answer can be anywhere from 52 kj to 57 kj draw and energy diagram for a reaction that has a large activation energy and a Δh of 0 if Δh is zero the reactant and products have the same potential energy

module 13 test review chemistry flashcards quizlet - Aug 15 2023

web module 13 test review chemistry if a reactant is exothermic will the energy be considered a product or a reactant click the card to flip

chemistry module 13 test flashcards quizlet - Jun 13 2023

web learn test match created by sallyaliceanne terms in this set 63 what two things happen when solutes dissolve exothermically they release energy and heat up what two things happen when solutes dissolve endothermically they absorb energy and cool down what kind of change occurs when something is dissolved physical change

module 13 apologia chemistry flashcards quizlet - Nov 06 2022

web terms in this set 20 chemical reactions are exothermic and energy will be thought of as a product of the reaction in a chemical reaction that is endothermic the energy will be considered a reactant change in enthalpy is the energy change that accompanies a chemical reaction the change of enthalpy for endothermic reactions is

chapter 13 solutions chemistry libretxts - Oct 05 2022

web general chemistry an atoms first approach unit 1 atomic theory unit 2 molecular structure unit 3 stoichiometry unit 4 thermochem gases unit 5 states of matter unit 6 kinetics equilibria unit 7 electro thermo chemistry unit 8 materials

test bank and solutions for chemistry an introduction to - Aug 03 2022

web an introduction to general organic and biological chemistry 13e timberlake chapter 2 chemistry and measurement answer c page ref 2 learning obj 2 global outcomes g4 demonstrate the quantitative skills needed to succeed in chemistry the correct answer for the addition of 7 g 2 g 1 g 2 g is

mdcat chemistry chapter 13 online mcq test with answers for chapter 13 - Jan 28 2022

web mdcats chemistry chapter 13 mcq test with answer for chemistry chapter 13 fundamental principles in chapter 13 fundamental principles of organic chemistry various topics are included that need a thorough understanding by the candidates

module 13 test questions flashcards cram com - Jun 01 2022

web study flashcards on module 13 test questions at cram com quickly memorize the terms phrases and much more cram com makes it easy to get the grade you want

apologia chemistry module 13 flashcards quizlet - Jul 14 2023

web learn test match created by julie crockettyoude teacher thermodynamics terms in this set 47 in a chemical reaction where is the potential energy where is the kinetic energy potential energy is stored in the bonds of the molecules in the reaction kinetic energy is the heat that is either released or absorbed in the reaction

apologia chemistry chapter 13 test flashcards quizlet - Feb 09 2023

web a the solid state has the least amount of entropy associated with it b the gaseous state has the least amount of entropy associated with it c the entropy of a system decreases as the matter in the system increases d the entropy of a system decreases as the temperature in the system increases e

chemistry module 13 thermodynamics flashcards quizlet - Sep 04 2022

web learn test match created by scoutfinch for chemistry with mrs weeks at tps terms in this set 39 entropy a measure of the disorder that exists in any system when a reaction is exothermic energy will be thought of as a in the reaction if the reaction is endothermic energy will be considered a product reactant enthalpy

free chemistry flashcards about chem module 13 studystack - Dec 07 2022

web chem module 13 question answer when a reaction is exothermic energy will be thought of as a in the reaction product when a reaction is endothermic energy will be thought of as a reactant potential energy energy stored in chemical bonds of a

comprehensive quiz module 13 gsusurveychemistry org - Jul 02 2022

web module 10 intro to organic chemistry 7 topics 1 quiz chapter 10 unit 1 introduction chapter 10 unit 2 features of organic

compounds chapter 10 unit 3 functional groups practice quiz module 13 unit 6 chapter 13 unit 7 summary comprehensive quiz module 13 module 14 carboxylic acids esters 9

chem module 13 test flashcards quizlet - Apr 11 2023

web 1 kj 1000 j how many j joules are in 1 kj kilo joules positive negative h is for endothermic reactions and for exothermic reactions enthalpy is a state function and is therefore independent of path state hess s law enthalpy of formation hf the h of a formation reaction h hf products hf reactants

general chemistry textbook solutions and answers chegg com - Jan 08 2023

web general chemistry textbooks with solutions 2311 21st century chemistry 0th edition author kimberley waldron isbn 9781936221394 edition 0th view 335 solutions 21st century chemistry 0th edition author kimberley waldron isbn 9781319110505

apologia chemistry module 13 test flashcards quizlet - May 12 2023

web learn test match created by gabbyhope27 terms in this set 20 enthalpy the total heat content of a system at a constant pressure commonly denoted as h change in enthalpy Δh energy change that accompanies a chemical reaction enthalpy of formation hf

chem 13 news past exams and answers chemistry university - Feb 26 2022

web exams 2011 chem 13 news exam pdf 2010 chem 13 news exam pdf 2009 chem 13 news exam pdf 2008 chem 13 news exam pdf 2007 chem 13 news exam

chemistry library science khan academy - Apr 30 2022

web welcome to the chemistry library chemistry is the study of matter and the changes it undergoes here you can browse chemistry videos articles and exercises by topic we keep the library up to date so you may find new or improved material here over time

chem 103 chemistry portage learning course hero - Mar 30 2022

web access study documents get answers to your study questions and connect with real tutors for chem 103 chemistry at portage learning upload to study expert help

les indomptables figures de l anorexie goodreads - Mar 09 2023

web d avoir refusé obstinément de se nourrir de s être tenues indomptables au bord de la mort À travers leurs portraits une interrogation fondamentale sur ce que l on nomme

les indomptables figures de l anorexie 273810987x cultura - Feb 25 2022

web les indomptables figures de l anorexie aux éditions odile jacob sissi impératrice d autriche l antigone de sophocle simone weil la philosophe sainte catherine de

[amazon fr les indomptables figures de l anorexie ginette](#) - Dec 26 2021

web noté 5 retrouvez les indomptables figures de l anorexie et des millions de livres en stock sur amazon fr achetez neuf ou d occasion

[les indomptables figures de l anorexie amazon fr](#) - Jul 13 2023

web retrouvez les indomptables figures de l anorexie et des millions de livres en stock sur amazon fr achetez neuf ou d occasion amazon fr les indomptables figures de

les indomptables figures de l anorexie psychologie - Aug 02 2022

web achetez et téléchargez ebook les indomptables figures de l anorexie psychologie boutique kindle psychologie amazon fr [les indomptables figures de l anorexie ginette raimbault fnac](#) - Dec 06 2022

web figures de l anorexie les indomptables ginette raimbault caroline eliacheff odile jacob des milliers de livres avec la livraison chez vous en 1 jour ou en magasin avec

les indomptables figures de l anorexie amazon fr - Aug 14 2023

web d avoir refusé obstinément de se nourrir de s être tenues indomptables au bord de la mort À travers leurs portraits une interrogation fondamentale sur ce que l on nomme

les indomptables figures de l anorexie babelio - Jun 12 2023

web jun 11 2019 les indomptables figures de l anorexie sissi impératrice d autriche l antigone de sophocle simone weil la philosophe de saint catherine de sienne

[les indomptables figures de l anorexie sciences humaines](#) - Sep 03 2022

web ce livre écrit à quatre mains parle de femmes indomptables de combattantes qui ont choisi comme l impératrice sissi ou sainte catherine de sienne l anorexie comme

les indomptables figures de l anorexie amazon fr - Nov 05 2022

web noté 5 retrouvez les indomptables figures de l anorexie et des millions de livres en stock sur amazon fr achetez neuf ou d occasion

les indomptables figures de l anorexie poche fnac - Jan 07 2023

web figures de l anorexie les indomptables ginette raimbault caroline eliacheff odile jacob des milliers de livres avec la livraison chez vous en 1 jour ou en magasin avec

[indomptables figures de l anorexie librairie gallimard de montréal](#) - Mar 29 2022

web may 29 2001 indomptables figures de l anorexie raimbault ginette et eliacheff disponible sur commande Éditeur odile jacob collection poches

les indomptables figures de l anorexie semantic scholar - Apr 29 2022

web les indomptables figures de l anorexie inproceedings raimbault2001lesi title les indomptables figures de l anorexie
author ginette raimbault and caroline

les indomptables figures de l anorexie google books - Apr 10 2023

web de l enfant roi à l enfant victime sissi impératrice d autriche l antigone de sophocle simone weil la philosophe de saint
catherine de sienne chacune de ces femmes illustre

les indomptables figures de l anorexie google books - Oct 04 2022

web d avoir refusé obstinément de se nourrir de s être tenues indomptables au bord de la mort À travers leurs portraits une
interrogation fondamentale sur ce que l on nomme

amazon fr les indomptables figures de l anorexie by ginette - Jan 27 2022

web noté 5 retrouvez les indomptables figures de l anorexie by ginette raimbault caroline eliacheff 2001 04 21 et des millions
de livres en stock sur amazon fr achetez

les indomptables figures de l anorexie poche furet du nord - Jul 01 2022

web may 4 2001 les indomptables figures de l anorexie poche caroline eliacheff ginette raimbault note moyenne donner le
premier avis sissi impératrice d autriche

les indomptables figures de l anorexie poche decitre - May 31 2022

web may 4 2001 l histoire est racontée du point de vue de bee une jeune femme fan de marie curie bee ne veut pas d
animaux ils meurent et encore moins une relation

les indomptables ginette raimbault caroline eliacheff cairn info - Feb 08 2023

web figures de l anorexie par ginette raimbault caroline eliacheff année 1989 pages 320 collection hors collection Éditeur
odile jacob format quote citer ou exporter

les indomptables figures de l anorexie fnac - May 11 2023

web d avoir refusé obstinément de se nourrir de s être tenues indomptables au bord de la mort À travers leurs portraits une
interrogation fondamentale sur ce que l on nomme

les indomptables figures de l anorexie google books - Nov 24 2021

web comment être femme pourquoi vivre quelle cause vaut de se sacrifier pour elle chacune a tenté à sa façon à son époque
de dire sa vérité en engageant son corps

escuela de gamers series by el rubius goodreads - Jun 13 2023

web escuela de gamers escuela de gamers 1 gamedonia escuela de gamers 2 and real hero escuela de gamers 3 spanish
edition

escuela de gamers facebook - Jan 08 2023

web escuela de gamers 525 likes en escuela de gamers podrás encontrar gameplays reviews unboxing y mucho más

gaming forum forum İstanbul - Dec 27 2021

web forum İstanbul da gamingforum bi başka milyonların takip ettiği youtuberlar twitch yayıncıları cosplayerlar Ödüllü turnuvalar 20 28 ocak arasında oyuna hazır ol 20 mini gamers boyama atölyesi ana sahne kids arena retro games kids arena kids arena ana sahne ana sahne kids arena 11 30 18 30 11

escuela de gamers elrubius planetadelibros - Dec 07 2022

web sinopsis de escuela de gamers año 2004 rubén d recibe una propuesta para ingresar en el directorio xy una escuela de alto rendimiento donde podrá profundizar su formación en el campo de los videojuegos actividad que le entusiasma

presentan escuela para gamers esto en línea - Feb 26 2022

web foto erik estrella por fin llegó lo que todos los gamers esperaban se presentó de forma oficial la primera escuela de videojuegos en México se trata de arena academy quien en conjunto con edge y la universidad anahuac iniciará a partir de abril con cursos para todos los jugadores que deseen aprender y convertirse en profesionales

reseña escuela de gamers libros amino - Jul 02 2022

web nov 28 2017 reseña escuela de gamers catu lee 11 28 17 hola amigos lectores primero que nada perdón por la inactividad es que tenía que hacer un trabajo práctico para la escuela y me tomo mas de una semana así que hoy les traigo una nueva reseña de la sección libros de youtubers bueno empezemos sinopsis

gaming academy una colegio para formar gamers profesionales - Apr 11 2023

web feb 14 2019 bienvenidos a la gaming academy de lyon una escuela francesa que forma a jugadores profesionales de videojuegos un mercado en plena expansión como sus seis compañeros de promoción en esta escuela que abrió sus puertas en otoño de 2018 jérémy joseph de 20 años se gastó casi 8 000 euros en esta formación de dos

escuela para gamers calendario horarios y fecha de todos los - Aug 03 2022

web nov 19 2021 escuela para gamers calendario horarios y fecha de todos los videos meristation meristation México

youtube escuela para gamers calendario horarios y fecha de todos los videos

video game high school wikipedia la enciclopedia libre - Apr 30 2022

web video game high school abreviada como vghs es una webserie de comedia y acción de rocketjump studios escrita por matthew arnold will campos y brian firenzi y dirigida por matthew arnold brandon laatsch y freddie wong la protagonizan josh blaylock johanna braddy jimmy wong ellary porterfield y brian firenzi

escuela de gamers elrubius planetadelibros - Jul 14 2023

web escuela de gamers de elrubius el youtuber más célebre de la red protagoniza esta novela ilustrada una aventura con nuevos personajes ambientada en una peculiar escuela donde no todo es lo que parece

arena academy la primera escuela para gamers en México - Feb 09 2023

web mar 12 2020 plan de estudios gamer la iniciativa arrancará con tres cursos en el primero niños entre 8 y 11 años aprenderán a hacer un juego desde cero en dos niveles y se les enseñará a crear

[escueladegamers](#) [escueladegamers twitter](#) - Sep 04 2022

web mar 9 2018 the latest tweets from [escueladegamers](#) [escueladegamers](#) disfruta de los mejores gameplays estrenos reviews noticias unboxing y mucho más youtube t co l5mpawlqak instagram t co ilwhp8dnlb

[academia de esports e squad the esports academy](#) - Mar 10 2023

web somos la primera academia de formación en esports queremos convertir jugadores amateurs o avanzados de videojuegos en verdaderos jugadores profesionales de esports capaces de competir en las principales ligas nacionales e

escuela de gamers youtube - Aug 15 2023

web en escuela de gamers podrás encontrar gameplays reviews unboxing y mucho más

la ucab dio la bienvenida a los deportes electrónicos con su academia - Jan 28 2022

web jul 8 2022 en la categoría gaming se incluirán cursos básicos para quienes deseen iniciarse en este mundo y se explorarán temas como los fundamentos de los e sports y las técnicas para los jugadores principiantes en videojuegos

pdf escuela de gamers ii gamedonia by elrubius perlego - Oct 05 2022

web elrubius 2018 escuela de gamers ii gamedonia edition unavailable grupo planeta available at perlego com book 2544687

escuela de gamers ii gamedonia pdf accessed 29 july 2023

[pdf escuela de gamers by elrubius ebook perlego](#) - Nov 06 2022

web un joven rubén de 14 años recibe una propuesta para ingresar en una escuela de alto rendimiento donde podrá profundizar su formación en el campo de la programación y los videojuegos actividades que le entusiasman la oportunidad es extraordinaria y el joven gamer está dispuesto a aprovecharla al máximo

wiper gaming academia de esports - May 12 2023

web wiper gaming es la academia de esports especializada en lol donde aprenderás en una sola plataforma a los mejores gamers profesionales desde 3 95 promoción exclusiva sé el más rápido y únete a wiper con un descuento de por vida

[top gamers academy wikipedia la enciclopedia libre](#) - Jun 01 2022

web en top gamers academy hay 21 concursantes oficiales pero son 18 los que entraran a la academia divididos en 3 equipos donde conviven durante 8 semanas centrando su formación en fortnite gran turismo y clash royale

un sindicato abrió la primera escuela gamer de la argentina - Mar 30 2022

web un sindicato abrió la primera escuela gamer de la argentina los cursos son gratuitos y el objetivo es fomentar competencias para que los alumnos puedan insertarse laboralmente es una propuesta educativa disruptiva indicaron 25 de

agosto de 2023 10 41 lucas parera la nacion en septiembre abrirá la primera escuela gamer del país escuchar