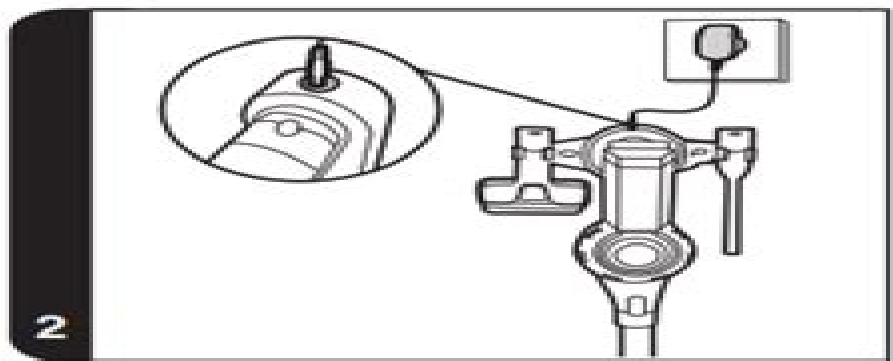
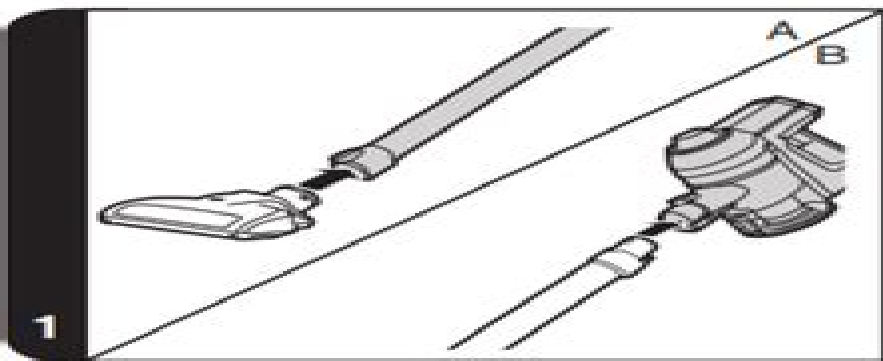


* Certain models only



Manual For Hoover Vacuum Cleaner

Michal Rosen-Zvi



Manual For Hoover Vacuum Cleaner:

Whispering the Techniques of Language: An Emotional Quest through **Manual For Hoover Vacuum Cleaner**

In a digitally-driven earth where displays reign supreme and instant transmission drowns out the subtleties of language, the profound techniques and emotional nuances concealed within phrases frequently move unheard. Yet, situated within the pages of **Manual For Hoover Vacuum Cleaner** a captivating literary treasure sporting with organic feelings, lies an exceptional journey waiting to be undertaken. Composed by a skilled wordsmith, that marvelous opus encourages visitors on an introspective trip, delicately unraveling the veiled truths and profound affect resonating within the fabric of every word. Within the psychological depths with this poignant review, we shall embark upon a heartfelt exploration of the book is primary styles, dissect its interesting writing style, and succumb to the strong resonance it evokes deep within the recesses of readers hearts.

<https://staging.conocer.cide.edu/data/browse/Documents/Fit%20For%20Business.pdf>

Table of Contents Manual For Hoover Vacuum Cleaner

1. Understanding the eBook Manual For Hoover Vacuum Cleaner
 - The Rise of Digital Reading Manual For Hoover Vacuum Cleaner
 - Advantages of eBooks Over Traditional Books
2. Identifying Manual For Hoover Vacuum Cleaner
 - Exploring Different Genres
 - Considering Fiction vs. Non-Fiction
 - Determining Your Reading Goals
3. Choosing the Right eBook Platform
 - Popular eBook Platforms
 - Features to Look for in an Manual For Hoover Vacuum Cleaner
 - User-Friendly Interface
4. Exploring eBook Recommendations from Manual For Hoover Vacuum Cleaner
 - Personalized Recommendations

- Manual For Hoover Vacuum Cleaner User Reviews and Ratings
- Manual For Hoover Vacuum Cleaner and Bestseller Lists
- 5. Accessing Manual For Hoover Vacuum Cleaner Free and Paid eBooks
 - Manual For Hoover Vacuum Cleaner Public Domain eBooks
 - Manual For Hoover Vacuum Cleaner eBook Subscription Services
 - Manual For Hoover Vacuum Cleaner Budget-Friendly Options
- 6. Navigating Manual For Hoover Vacuum Cleaner eBook Formats
 - ePub, PDF, MOBI, and More
 - Manual For Hoover Vacuum Cleaner Compatibility with Devices
 - Manual For Hoover Vacuum Cleaner Enhanced eBook Features
- 7. Enhancing Your Reading Experience
 - Adjustable Fonts and Text Sizes of Manual For Hoover Vacuum Cleaner
 - Highlighting and Note-Taking Manual For Hoover Vacuum Cleaner
 - Interactive Elements Manual For Hoover Vacuum Cleaner
- 8. Staying Engaged with Manual For Hoover Vacuum Cleaner
 - Joining Online Reading Communities
 - Participating in Virtual Book Clubs
 - Following Authors and Publishers Manual For Hoover Vacuum Cleaner
- 9. Balancing eBooks and Physical Books Manual For Hoover Vacuum Cleaner
 - Benefits of a Digital Library
 - Creating a Diverse Reading Collection Manual For Hoover Vacuum Cleaner
- 10. Overcoming Reading Challenges
 - Dealing with Digital Eye Strain
 - Minimizing Distractions
 - Managing Screen Time
- 11. Cultivating a Reading Routine Manual For Hoover Vacuum Cleaner
 - Setting Reading Goals Manual For Hoover Vacuum Cleaner
 - Carving Out Dedicated Reading Time
- 12. Sourcing Reliable Information of Manual For Hoover Vacuum Cleaner
 - Fact-Checking eBook Content of Manual For Hoover Vacuum Cleaner

- Distinguishing Credible Sources
- 13. Promoting Lifelong Learning
 - Utilizing eBooks for Skill Development
 - Exploring Educational eBooks
- 14. Embracing eBook Trends
 - Integration of Multimedia Elements
 - Interactive and Gamified eBooks

Manual For Hoover Vacuum Cleaner Introduction

In today's digital age, the availability of Manual For Hoover Vacuum Cleaner books and manuals for download has revolutionized the way we access information. Gone are the days of physically flipping through pages and carrying heavy textbooks or manuals. With just a few clicks, we can now access a wealth of knowledge from the comfort of our own homes or on the go. This article will explore the advantages of Manual For Hoover Vacuum Cleaner books and manuals for download, along with some popular platforms that offer these resources. One of the significant advantages of Manual For Hoover Vacuum Cleaner books and manuals for download is the cost-saving aspect. Traditional books and manuals can be costly, especially if you need to purchase several of them for educational or professional purposes. By accessing Manual For Hoover Vacuum Cleaner versions, you eliminate the need to spend money on physical copies. This not only saves you money but also reduces the environmental impact associated with book production and transportation. Furthermore, Manual For Hoover Vacuum Cleaner books and manuals for download are incredibly convenient. With just a computer or smartphone and an internet connection, you can access a vast library of resources on any subject imaginable. Whether you're a student looking for textbooks, a professional seeking industry-specific manuals, or someone interested in self-improvement, these digital resources provide an efficient and accessible means of acquiring knowledge. Moreover, PDF books and manuals offer a range of benefits compared to other digital formats. PDF files are designed to retain their formatting regardless of the device used to open them. This ensures that the content appears exactly as intended by the author, with no loss of formatting or missing graphics. Additionally, PDF files can be easily annotated, bookmarked, and searched for specific terms, making them highly practical for studying or referencing. When it comes to accessing Manual For Hoover Vacuum Cleaner books and manuals, several platforms offer an extensive collection of resources. One such platform is Project Gutenberg, a nonprofit organization that provides over 60,000 free eBooks. These books are primarily in the public domain, meaning they can be freely distributed and downloaded. Project Gutenberg offers a wide range of classic literature, making it an excellent resource for literature enthusiasts. Another popular platform for Manual For Hoover Vacuum Cleaner books and manuals is Open Library.

Open Library is an initiative of the Internet Archive, a non-profit organization dedicated to digitizing cultural artifacts and making them accessible to the public. Open Library hosts millions of books, including both public domain works and contemporary titles. It also allows users to borrow digital copies of certain books for a limited period, similar to a library lending system. Additionally, many universities and educational institutions have their own digital libraries that provide free access to PDF books and manuals. These libraries often offer academic texts, research papers, and technical manuals, making them invaluable resources for students and researchers. Some notable examples include MIT OpenCourseWare, which offers free access to course materials from the Massachusetts Institute of Technology, and the Digital Public Library of America, which provides a vast collection of digitized books and historical documents. In conclusion, Manual For Hoover Vacuum Cleaner books and manuals for download have transformed the way we access information. They provide a cost-effective and convenient means of acquiring knowledge, offering the ability to access a vast library of resources at our fingertips. With platforms like Project Gutenberg, Open Library, and various digital libraries offered by educational institutions, we have access to an ever-expanding collection of books and manuals. Whether for educational, professional, or personal purposes, these digital resources serve as valuable tools for continuous learning and self-improvement. So why not take advantage of the vast world of Manual For Hoover Vacuum Cleaner books and manuals for download and embark on your journey of knowledge?

FAQs About Manual For Hoover Vacuum Cleaner Books

How do I know which eBook platform is the best for me? Finding the best eBook platform depends on your reading preferences and device compatibility. Research different platforms, read user reviews, and explore their features before making a choice. Are free eBooks of good quality? Yes, many reputable platforms offer high-quality free eBooks, including classics and public domain works. However, make sure to verify the source to ensure the eBook credibility. Can I read eBooks without an eReader? Absolutely! Most eBook platforms offer webbased readers or mobile apps that allow you to read eBooks on your computer, tablet, or smartphone. How do I avoid digital eye strain while reading eBooks? To prevent digital eye strain, take regular breaks, adjust the font size and background color, and ensure proper lighting while reading eBooks. What the advantage of interactive eBooks? Interactive eBooks incorporate multimedia elements, quizzes, and activities, enhancing the reader engagement and providing a more immersive learning experience. Manual For Hoover Vacuum Cleaner is one of the best book in our library for free trial. We provide copy of Manual For Hoover Vacuum Cleaner in digital format, so the resources that you find are reliable. There are also many Ebooks of related with Manual For Hoover Vacuum Cleaner. Where to download Manual For Hoover Vacuum Cleaner online for free? Are you looking for Manual For Hoover Vacuum

Cleaner PDF? This is definitely going to save you time and cash in something you should think about. If you trying to find then search around for online. Without a doubt there are numerous these available and many of them have the freedom. However without doubt you receive whatever you purchase. An alternate way to get ideas is always to check another Manual For Hoover Vacuum Cleaner. This method for see exactly what may be included and adopt these ideas to your book. This site will almost certainly help you save time and effort, money and stress. If you are looking for free books then you really should consider finding to assist you try this. Several of Manual For Hoover Vacuum Cleaner are for sale to free while some are payable. If you arent sure if the books you would like to download works with for usage along with your computer, it is possible to download free trials. The free guides make it easy for someone to free access online library for download books to your device. You can get free download on free trial for lots of books categories. Our library is the biggest of these that have literally hundreds of thousands of different products categories represented. You will also see that there are specific sites catered to different product types or categories, brands or niches related with Manual For Hoover Vacuum Cleaner. So depending on what exactly you are searching, you will be able to choose e books to suit your own need. Need to access completely for Campbell Biology Seventh Edition book? Access Ebook without any digging. And by having access to our ebook online or by storing it on your computer, you have convenient answers with Manual For Hoover Vacuum Cleaner To get started finding Manual For Hoover Vacuum Cleaner, you are right to find our website which has a comprehensive collection of books online. Our library is the biggest of these that have literally hundreds of thousands of different products represented. You will also see that there are specific sites catered to different categories or niches related with Manual For Hoover Vacuum Cleaner So depending on what exactly you are searching, you will be able to choose ebook to suit your own need. Thank you for reading Manual For Hoover Vacuum Cleaner. Maybe you have knowledge that, people have search numerous times for their favorite readings like this Manual For Hoover Vacuum Cleaner, but end up in harmful downloads. Rather than reading a good book with a cup of coffee in the afternoon, instead they juggled with some harmful bugs inside their laptop. Manual For Hoover Vacuum Cleaner is available in our book collection an online access to it is set as public so you can download it instantly. Our digital library spans in multiple locations, allowing you to get the most less latency time to download any of our books like this one. Merely said, Manual For Hoover Vacuum Cleaner is universally compatible with any devices to read.

Find Manual For Hoover Vacuum Cleaner :

fit for business

fishys flies

fit for 50 exercises for men who want to live well longer

~~five religions in the twentieth century~~

flawed angel

~~fives of m. manilius 1697~~

fit physical

flatz morgenrot dammerung

~~five in search of wisdom~~

five backstage pass

five to seven the story of a 1920s childhood

five dollar smile and other stories

fitchetts folly

fisica libros vii viii

fitness through cycling

Manual For Hoover Vacuum Cleaner :

preply tutors for the toefl ibt test - Aug 08 2022

web you may consider hiring a tutor to provide one on one support during your test preparation journey the ets toefl team has collaborated with preply a leading provider of independent online tutors to provide specialized training for these tutors to teach the kind of academic english that appears on the toefl ibt test

toefl practice test questions prep for the toefl test - May 05 2022

web basic reading comprehension intermediate reading comprehension advanced reading comprehension reading vocabulary sentence correction sentence correction 2 writing review prepare with our toefl practice test questions these questions will help you increase your toefl test score

test preparation for the toefl ibt test ets home - Apr 16 2023

web prepare for the test on test day scores prepare for the toefl ibt test get ready for the toefl ibt test by practicing your skills with practice tests books courses and other official resources free practice tests are available and you can buy premium prep resources through your ets account accessible formats

the toefl tests ets home - Nov 11 2022

web toefl steps building the learning path of the toefl family of assessments the toefl tests prepare students for university study immigration and more select the toefl test you d like to learn more about or register

ielts toefl frontpage - Jun 18 2023

web ielts test preparation international english language testing system suitable for australia england and new zealand toefl test preparation test of english as a foreign language suitable for usa and canada english for professionals job improvement opportunities english for call centres jobs guaranteed in the major metros

test prep guides and books for the toefl ibt test - Dec 12 2022

web view guides and books to help you prepare for the toefl ibt test as of july 26 2023 the toefl ibt test taken at a test center or at home contains a more modern and concise writing task called writing for an academic discussion that replaces the *toefl test prep planner helpteacher org* - Jun 06 2022

web toefl test prep planner an eight week plan to prepare for the toefl ibt test including skill building activities sample toefl ibt test questions tips for success on test day and beyond

[toefl ibt free practice test](#) - Apr 04 2022

web please note these practice sets align with toefl ibt tests administered on or after july 26 2023 toefl ibt free practice test transcript please note that this is not an exact transcript of the free practice test it has been adapted to paper format for usability

toefl prep syllabus pbworks - Jul 19 2023

web level advancement is 75 percent based on class performance and 25 percent on scores achieved during exit testing including the writing placement assessment accuplacer and oral skills placement assessment tests students with a total achievement score of 80 or higher may be recommended for level advancement

toefl prep frontpage - Sep 21 2023

web this wiki is dedicated to the study of vocabulary in our toefl preparation course we will specifically focus on latin and greek roots and prefixes click to see the syllabus for the course

[pbworks toeflibtprep frontpage](#) - Aug 20 2023

web this wiki was a collaborative space for students attending toefl ibt preparation courses between 2007 and 2009 visits

toefl ibt licensed for non commercial use only home - May 17 2023

web welcome to the toefl ibt preparation course this is an online site to learn strategies and improve your test taking skills you will have the opportunity to complete exercises that will make you understand the nature of the questions and some very useful hints to do better on the toefl score ets org

toefl ibt practice tests for test takers educational - Jan 13 2023

web toefl ibt paper edition practice test this free official practice test uses real toefl ibt past test questions for the reading listening and writing sections it has the same paper delivered format you ll experience on test day the

préparation du test toefl ibt educational testing service - Feb 02 2022

web se préparer au test toefl ibt préparez vous pour le test toefl ibt en mettant en pratique vos compétences avec des tests d entraînement des livres des cours et d autres ressources officielles des tests pratiques gratuits sont disponibles et vous pouvez acheter des ressources de préparation premium via votre compte ets

practice tests for the toefl ibt test ets home - Feb 14 2023

web toefl practice online experience what it s like to take the real toefl ibt test review and answer authentic test questions receive scores and performance feedback within 24 hours choose from volumes that include complete tests half tests or speaking tests you can save on toefl practice online tests and more when you buy toefl value packs

toefl study material the best resources to help you succeed - Mar 03 2022

web jun 28 2023 top 6 toefl prep books for 2023 1 the official guide to the toefl test fifth edition 5th edition 2 barron s toefl ibt superpack 2023 edition 3 toefl ibt prep plus 2023 2024 by kaplan 4 barron s toefl ibt with audio cds and cd rom 14th edition 5 cambridge preparation for the toefl test fifth edition 6

preparation i the toefl itp assessment series - Sep 09 2022

web prepare for the toefl itp tests ets offers a variety of practice materials to help your students prepare for the toefl itp tests free test prep sample questions

toefl study plan tips how to prepare for toefl in 10 - Jul 07 2022

web aug 11 2023 understanding of how long it takes to prepare for the toefl exam a list of the best websites to practice all four exam sections in this article we use toefl while speaking of toefl ibt internet based test mind that cbt computer based tests and pbt paper based tests are still available in many countries

the toefl ibt test prep planner - Mar 15 2023

web an 8 week plan to prepare for the toefl ibt test including skill building activities sample toefl ibt test questions tips for success on test day and beyond contents

free toefl practice tests 2023 10 exams test guide - Oct 10 2022

web oct 16 2023 taking toefl practice tests are a great way to prepare for the toefl exam our toefl sample exams are based on the actual questions and answers that you will see on the official exam taking practice exams will help you identify what you already know and what you need to work on

top notch fundamentals pearson elt us - Dec 08 2022

web top notch fundamentals description additional information top notch 3rd edition prepares adults and young adults to interact confidently in english a communicative english course it makes english unforgettable through the right input of language intensive practice and systematic recycling glossary terms

top notch adult english language learning pearson languages - Apr 12 2023

web top notch prepares adults to interact confidently in english using the correct input of language intensive practice and systematic recycling to make english memorable keep your class engaged with clear practical and communicative goals in every lesson

top notch fundamentals workbook pdf 5d4lv59c08g0 e - Sep 17 2023

web top notch workbook fundamentals top notch is a dynamic six level course for international communication with the flexibility to fit any teaching situation top notch uses the natural language that people really speak

top notch fundamental a sb wb ocr pdf slideshare - Jun 02 2022

web aug 7 2019 top notch fundamental a sb wb ocr 1 of 144 download now top notch fundamental a sb wb ocr download as a pdf or view online for free

read download top notch fundamentals 3rd edition pdf pdf - Jan 29 2022

web jan 15 2015 fundamentals author joan m saslow publisher allyn bacon isbn category foreign language study page view 271 download now top notch now in a third edition is a dynamic communicative course that makes english unforgettable through multiple exposures to language and systematic intensive recycling

welcome to top notch pearson - Mar 11 2023

web fundamentals teacher s book unit 1 is a pdf file that provides teachers with detailed guidance and resources for teaching the first unit of top notch a popular adult english language learning program the pdf covers topics such as greetings introductions numbers and personal information and includes tips notes and answer keys for

names and occupations pearson - Aug 04 2022

web n m e s n d c c u p a t i o n s complete the sentences with names is a famous artist 2 is a famous musician 3 is a famous riter 4 m favorite singer is

top notch fundamentals workbook pdf scribd - Sep 05 2022

web top notch fundamentals workbook free download as pdf file pdf text file txt or read online for free

top notch fundamentals workbook pdf academia edu - Aug 16 2023

web download free pdf top notch fundamentals workbook pdf cristopher saraguro see full pdf download pdf loading preview related topics inglés top notch top notch fundamentals workbook pdf

top notch fundamentals workbook a1 pearson education - Jul 15 2023

web top notch fundamentals workbook a1 pearson education limited altı seviyeli top notch programı birden çok dile maruz kalma pratik yapmak için sayısız fırsat ve sistematik ve yoğun geri dönüşüm yoluyla İngilizceyi unutulmaz kılıyor yapabilirim ifadeleriyle birlikte hedefler ve başarıya dayalı dersler öğrencilerin

top notch fundamentals a sb wb archive org - Jun 14 2023

web sep 5 2018 top notch fundamentals a addeddate 2018 09 05 17 25 17 identifier topnotchfundamentalsasbwb identifier ark ark 13960 t4sj8p11s ocr abbyy finereader 11 0 extended ocr

top notch fundamentals workbook find popular books - May 01 2022

web top notch workbook fundamentals top notch is a dynamic six level course for international communication with the flexibility to fit any teaching situation top notch uses the natural language that people really speak its rock solid learner centered approach allows students to confirm their progress at the end of every concise two page

top notch fund workbook answer key pdf scribd - Mar 31 2022

web save save top notch fund workbook answer key for later 83 6 83 found this document useful 6 votes 11k views 8 pages top notch fund workbook answer key uploaded by lub top notch fundamentals b wb answer key third ed kara fathi more grammar practice 2 more grammar practice 2 nayla alejandra montoya

top notch fundamentals joan saslow allen ascher google - Feb 27 2022

web jan 14 2015 top notch now in a third edition is a dynamic communicative course that makes english unforgettable through multiple exposures to language and systematic intensive recycling goals and

top notch fundamentals 3 e workbook 392777 - Feb 10 2023

web jan 6 2015 books reference words language grammar enjoy fast free delivery exclusive deals and award winning movies tv shows with prime try prime and start saving today with fast free delivery buy new 23 00 list price 31 08 details save 8 08 26 get fast free shipping with amazon prime free returns

download top notch fundamentals workbook pdf - Nov 07 2022

web download pdf top notch fundamentals workbook pdf 5d4lv59c08g0 top notch workbook fundamentals top notch is a dynamic six level course for international communication with the flex vdoc pub

top notch workbook fundamentals a pdf pdf scribd - May 13 2023

web top notch workbook fundamentals a pdf uploaded by victordesicco copyright all rights reserved available formats download as pdf or read online from scribd flag for inappropriate content save 0 embed share print download now of 49 you might also like linux device drivers semlinuxemb2011 victordesicco universidades nucli isf pdf

top notch fundamentals saslow joan m free download - Oct 06 2022

web top notch fundamentals saslow joan m free download borrow and streaming internet archive top notch fundamentals by saslow joan m publication date 2011 topics

top notch 3e fundamentals student book ebook online practice - Jul 03 2022

web top notch fundamentals student s book ebook with online practice digital resources app workbook practice book available in full or split editions ebook digital version of the book that students can access online or via a mobile device online

practice

english for today s world pearson - Jan 09 2023

web top notch makes english unforgettable through the rich input of language intensive practice and systematic recycling revised and aligned to the global scale of english this edition has striking new visuals inspirational tools and

fasce elastiche pistone ricambi con consegna - Aug 02 2023

web fascia elastica grano normale altezza 1 5 mm produttore scafuto codice ac2 60 62x1 5 scegli i tuoi segmenti dal diametro 60mm al diametro 62mm 9 76 più

fasce elastiche online acquista su fornituresanitarieats com - Jan 15 2022

montaggio delle fasce elastiche motorservice technipedia - Feb 25 2023

web fasce elastiche da produttori top quali goetze engine mahle original kolbenschmidt et engineteam japanparts vi offriamo fasce elastiche economici e compatibili nel nostro

fasce elastiche traduzione in inglese reverso context - Nov 12 2021

fasce elastiche milano mi el te segmentitalia sas - Jul 01 2023

web kit fasce elastiche pistone 8035 05 8045 05 8045 05k turbo 8045 06 8045 25 8045 25 turbo 8065 25 turbo 8045 25 s turbo

fasce elastiche pistoni fasce cilindri blocco motore sparex - Mar 29 2023

web fasce elastiche di resistenza delicate sulla pelle 5 livelli di forza set di 5 fasce elastiche per uomini e donne ideali per casa palestra yoga allenamento

amazon it fasce elastiche - Nov 24 2022

web fasce elastiche puoi trovare varie fasce elastiche di ricambio per motoseghe decespugliatori motozappe di qualsiasi genere ricambi originali o ricambi compatibili

catalogo online di piaggio fasce elastiche autoparti it - Feb 13 2022

fasce translation into english examples italian reverso - Dec 14 2021

catalogo di kia cee d i station wagon ed fasce elastiche motore - Mar 17 2022

web traduzione di fasce elastiche in inglese elastic bands piston rings elastic strips elastic wraps ace bandages mostrare più le fasce elastiche non assorbono il sudore e non

fasce elastiche per fiat 500 online a un prezzo basso - May 19 2022

web nel catalogo fasce elastiche puoi trovare articoli professionali delle migliori marche acquista online reso facile pagamenti sicuri e consegna in 24h

fasce elastiche scifostore - Jul 21 2022

web tutti i giorni nuove offerte nel nostro negozio online troverete fasce elastiche kia cee d i station wagon ed 2007 2010 da diversi produttori goetze engine mahle

fasce elastiche prezzi bassi qualità top catalogo - Jan 27 2023

web fasce elastiche per peugeot 2008 quale è la marca migliore secondo i nostri clienti le migliori parti di ricambio nella categoria fasce elastiche per peugeot 2008

montaggio delle fasce elastiche motorservice technipedia - Dec 26 2022

web fasce elastiche per fiat panda quale è la marca migliore secondo i nostri clienti le migliori parti di ricambio nella categoria fasce elastiche per fiat panda appartengono

fasce elastiche per peugeot 2008 online a un prezzo basso - Sep 22 2022

web il prezzo dei ricambi auto della categoria fasce elastiche per fiat 500 varia da 12 a 45 a seconda del produttore e delle specifiche del prodotto effettua un ordine di fasce

fasce elastiche per fiat panda online a un prezzo basso - Aug 22 2022

web fasce elastiche lombari per uomo donna o unisex che permettono agevolmente i movimenti del corpo proteggendo scopri ora fasce elastiche in vendita online

fasce elastiche ordina a buon mercato per la tua auto - Oct 24 2022

web fasce elastiche motore per lancia ypsilon quale è la marca migliore secondo i nostri clienti le migliori parti di ricambio nella categoria fasce elastiche pistoni per lancia

fasce elastiche lancia ypsilon autodoc - Jun 19 2022

web catalogo online di piaggio fasce elastiche ricambi direttamente dal produttore negozio on line sottocosto auto parti catalogo macchina motore ricambi kit fasce elastiche di

thn fasce elastiche oltre 4 milioni di fasce elastiche - Sep 03 2023

web più di 4 milioni di fasce elastiche in stock in 20 000 diverse dimensioni e design la gamma di fasce elastiche thn è composta da più di quattro milioni di articoli in 20 000 tipi e

fasce elastiche it vendita online di ricambi per il tuo motore by - Oct 04 2023

web cerca le fasce elastiche del tuo pistone tra i ricambi originali oppure tra quelli aftermarket compatibili con il modello della tua moto o con la tua vespa nella categoria fasce

fasce elastiche in vendita online sanort - Apr 17 2022

web translation of fasce in english fasce pediera e testiera sagomate e intagliate shaped and carved bands footboard and headboard fasce elastiche sono racchiusi

[pistoni e fasce elastiche erb italy](#) - Apr 29 2023

web a cosa bisogna prestare attenzione prima del montaggio delle fasce elastiche a quali dettagli bisogna fare attenzione durante l'assemblaggio delle fasce elastiche il nostro

ricambi fasce elastiche pistoni scafuto s r l - May 31 2023

web pistone e componenti a cosa bisogna fare attenzione durante l'assemblaggio delle fasce elastiche quando conviene sostituire solo le fasce elastiche come si puliscono i