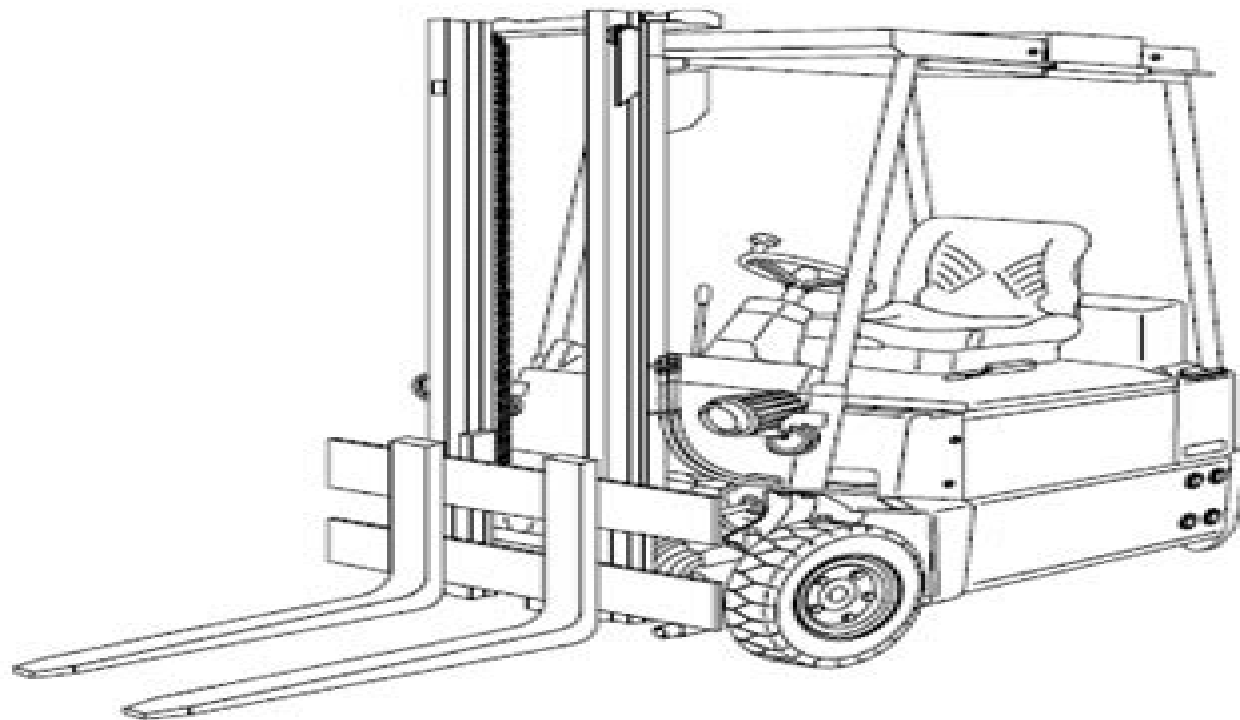


Service Training



Linde Electric Forklift Truck E 16 Type 324 Explosion Protected Zone 1, 2



Linde Forklift Manual For Model E12

John L. Ryan,L. D. Ryan



Linde Forklift Manual For Model E12:

The Forklift Manual John L. Ryan,L. D. Ryan,2006

Recognizing the way ways to get this ebook **Linde Forklift Manual For Model E12** is additionally useful. You have remained in right site to start getting this info. acquire the Linde Forklift Manual For Model E12 join that we give here and check out the link.

You could buy lead Linde Forklift Manual For Model E12 or get it as soon as feasible. You could quickly download this Linde Forklift Manual For Model E12 after getting deal. So, in imitation of you require the books swiftly, you can straight acquire it. Its for that reason categorically simple and correspondingly fats, isnt it? You have to favor to in this impression

https://staging.conocer.cide.edu/results/publication/index.jsp/Les_Personnes_Acirgeacutes_Comprendre_Et_Prendre_Soin.pdf

Table of Contents Linde Forklift Manual For Model E12

1. Understanding the eBook Linde Forklift Manual For Model E12
 - The Rise of Digital Reading Linde Forklift Manual For Model E12
 - Advantages of eBooks Over Traditional Books
2. Identifying Linde Forklift Manual For Model E12
 - Exploring Different Genres
 - Considering Fiction vs. Non-Fiction
 - Determining Your Reading Goals
3. Choosing the Right eBook Platform
 - Popular eBook Platforms
 - Features to Look for in an Linde Forklift Manual For Model E12
 - User-Friendly Interface
4. Exploring eBook Recommendations from Linde Forklift Manual For Model E12
 - Personalized Recommendations
 - Linde Forklift Manual For Model E12 User Reviews and Ratings
 - Linde Forklift Manual For Model E12 and Bestseller Lists

5. Accessing Linde Forklift Manual For Model E12 Free and Paid eBooks
 - Linde Forklift Manual For Model E12 Public Domain eBooks
 - Linde Forklift Manual For Model E12 eBook Subscription Services
 - Linde Forklift Manual For Model E12 Budget-Friendly Options
6. Navigating Linde Forklift Manual For Model E12 eBook Formats
 - ePub, PDF, MOBI, and More
 - Linde Forklift Manual For Model E12 Compatibility with Devices
 - Linde Forklift Manual For Model E12 Enhanced eBook Features
7. Enhancing Your Reading Experience
 - Adjustable Fonts and Text Sizes of Linde Forklift Manual For Model E12
 - Highlighting and Note-Taking Linde Forklift Manual For Model E12
 - Interactive Elements Linde Forklift Manual For Model E12
8. Staying Engaged with Linde Forklift Manual For Model E12
 - Joining Online Reading Communities
 - Participating in Virtual Book Clubs
 - Following Authors and Publishers Linde Forklift Manual For Model E12
9. Balancing eBooks and Physical Books Linde Forklift Manual For Model E12
 - Benefits of a Digital Library
 - Creating a Diverse Reading Collection Linde Forklift Manual For Model E12
10. Overcoming Reading Challenges
 - Dealing with Digital Eye Strain
 - Minimizing Distractions
 - Managing Screen Time
11. Cultivating a Reading Routine Linde Forklift Manual For Model E12
 - Setting Reading Goals Linde Forklift Manual For Model E12
 - Carving Out Dedicated Reading Time
12. Sourcing Reliable Information of Linde Forklift Manual For Model E12
 - Fact-Checking eBook Content of Linde Forklift Manual For Model E12
 - Distinguishing Credible Sources
13. Promoting Lifelong Learning

- Utilizing eBooks for Skill Development
 - Exploring Educational eBooks
14. Embracing eBook Trends
- Integration of Multimedia Elements
 - Interactive and Gamified eBooks

Linde Forklift Manual For Model E12 Introduction

In this digital age, the convenience of accessing information at our fingertips has become a necessity. Whether its research papers, eBooks, or user manuals, PDF files have become the preferred format for sharing and reading documents. However, the cost associated with purchasing PDF files can sometimes be a barrier for many individuals and organizations. Thankfully, there are numerous websites and platforms that allow users to download free PDF files legally. In this article, we will explore some of the best platforms to download free PDFs. One of the most popular platforms to download free PDF files is Project Gutenberg. This online library offers over 60,000 free eBooks that are in the public domain. From classic literature to historical documents, Project Gutenberg provides a wide range of PDF files that can be downloaded and enjoyed on various devices. The website is user-friendly and allows users to search for specific titles or browse through different categories. Another reliable platform for downloading Linde Forklift Manual For Model E12 free PDF files is Open Library. With its vast collection of over 1 million eBooks, Open Library has something for every reader. The website offers a seamless experience by providing options to borrow or download PDF files. Users simply need to create a free account to access this treasure trove of knowledge. Open Library also allows users to contribute by uploading and sharing their own PDF files, making it a collaborative platform for book enthusiasts. For those interested in academic resources, there are websites dedicated to providing free PDFs of research papers and scientific articles. One such website is Academia.edu, which allows researchers and scholars to share their work with a global audience. Users can download PDF files of research papers, theses, and dissertations covering a wide range of subjects. Academia.edu also provides a platform for discussions and networking within the academic community. When it comes to downloading Linde Forklift Manual For Model E12 free PDF files of magazines, brochures, and catalogs, Issuu is a popular choice. This digital publishing platform hosts a vast collection of publications from around the world. Users can search for specific titles or explore various categories and genres. Issuu offers a seamless reading experience with its user-friendly interface and allows users to download PDF files for offline reading. Apart from dedicated platforms, search engines also play a crucial role in finding free PDF files. Google, for instance, has an advanced search feature that allows users to filter results by file type. By specifying the file type as "PDF," users can find websites that offer free PDF downloads on a specific topic. While downloading Linde Forklift Manual For Model E12 free PDF files is

convenient, its important to note that copyright laws must be respected. Always ensure that the PDF files you download are legally available for free. Many authors and publishers voluntarily provide free PDF versions of their work, but its essential to be cautious and verify the authenticity of the source before downloading Linde Forklift Manual For Model E12. In conclusion, the internet offers numerous platforms and websites that allow users to download free PDF files legally. Whether its classic literature, research papers, or magazines, there is something for everyone. The platforms mentioned in this article, such as Project Gutenberg, Open Library, Academia.edu, and Issuu, provide access to a vast collection of PDF files. However, users should always be cautious and verify the legality of the source before downloading Linde Forklift Manual For Model E12 any PDF files. With these platforms, the world of PDF downloads is just a click away.

FAQs About Linde Forklift Manual For Model E12 Books

What is a Linde Forklift Manual For Model E12 PDF? A PDF (Portable Document Format) is a file format developed by Adobe that preserves the layout and formatting of a document, regardless of the software, hardware, or operating system used to view or print it. **How do I create a Linde Forklift Manual For Model E12 PDF?** There are several ways to create a PDF: Use software like Adobe Acrobat, Microsoft Word, or Google Docs, which often have built-in PDF creation tools. Print to PDF: Many applications and operating systems have a "Print to PDF" option that allows you to save a document as a PDF file instead of printing it on paper. Online converters: There are various online tools that can convert different file types to PDF. **How do I edit a Linde Forklift Manual For Model E12 PDF?** Editing a PDF can be done with software like Adobe Acrobat, which allows direct editing of text, images, and other elements within the PDF. Some free tools, like PDFescape or Smallpdf, also offer basic editing capabilities. **How do I convert a Linde Forklift Manual For Model E12 PDF to another file format?** There are multiple ways to convert a PDF to another format: Use online converters like Smallpdf, Zamzar, or Adobe Acrobats export feature to convert PDFs to formats like Word, Excel, JPEG, etc. Software like Adobe Acrobat, Microsoft Word, or other PDF editors may have options to export or save PDFs in different formats. **How do I password-protect a Linde Forklift Manual For Model E12 PDF?** Most PDF editing software allows you to add password protection. In Adobe Acrobat, for instance, you can go to "File" -> "Properties" -> "Security" to set a password to restrict access or editing capabilities. Are there any free alternatives to Adobe Acrobat for working with PDFs? Yes, there are many free alternatives for working with PDFs, such as: LibreOffice: Offers PDF editing features. PDFsam: Allows splitting, merging, and editing PDFs. Foxit Reader: Provides basic PDF viewing and editing capabilities. How do I compress a PDF file? You can use online tools like Smallpdf, ILovePDF, or desktop software like Adobe Acrobat to compress PDF files without significant quality loss. Compression reduces the file size, making it easier to share and download. Can I fill out forms in a

PDF file? Yes, most PDF viewers/editors like Adobe Acrobat, Preview (on Mac), or various online tools allow you to fill out forms in PDF files by selecting text fields and entering information. Are there any restrictions when working with PDFs? Some PDFs might have restrictions set by their creator, such as password protection, editing restrictions, or print restrictions. Breaking these restrictions might require specific software or tools, which may or may not be legal depending on the circumstances and local laws.

Find Linde Forklift Manual For Model E12 :

les personnes acircgeacutées comprendre et prendre soin

les divagations matheacutematiques de ian stewart hors collection

les meacutemoires de la bestia

les promesses de la magie le dernier heacuterautmage t

les plis de la terre

les femmes actrices de lhhistoire france de agrave nos jours

~~les fiches outils du sirh focus avec compleacutements en teacuteleacutearchement~~

les reacuteseaux sociaux

les mills bodycombat pregnancy guide

les seins de georgette charlottenburg

les cycles de lhumaniteacutée et legrave de lapocalypse

les habitants de la colline ad thriller fantastique

les investissements chinois en france

les procedures administratives en droit americain

les habitudes des gagnants

Linde Forklift Manual For Model E12 :

le guide vert guadeloupe michelin cyberlab sutd edu sg - Jul 31 2022

web guide takes hikers on treks through the rainforest and divers to the bianca c the largest shipwreck in the caribbean it shows cultural visitors the nation s diverse heritage and rich musical traditions and leads those in need of a little lie down to unspoilt beaches and secluded coves mémoires de la société géologique de france dec 27

guide vert wikipédia - Dec 04 2022

web guide auvergne 1905 un des ancêtres du guide vert actuel le guide vert est un livre faisant partie d'une collection de guides touristiques fondée en 1926 par michelin qui met l'accent sur la découverte du patrimoine naturel et culturel des régions il avait été précédé vers 1920 par des guides illustrés michelin des champs de bataille de la guerre de 1914

guide vert guadeloupe book - Apr 08 2023

web alive guide is absolutely packed with detail offering hundreds of hotel review and restaurant recommendations plus you'll find out all sorts of tidbits about the islands history and culture alive guides cover every aspect of travel in each exciting destination places rarely covered by other guidebooks

guide vert guadeloupe - Jul 11 2023

web guide vert guadeloupe revision of the echini jan 19 2022 regional workshop on fruit diversification aug 02 2020 as your hiking guide m timothy o keefe takes you beyond the clamor and commercialism into the heart and soul of the largely ignored hinterlands of 30 spectacular islands

singapore to guadeloupe one way to travel via plane rome2rio - Apr 27 2022

web the best way to get from singapore to guadeloupe costs only 1 703 and takes just 30 hours find the travel options that best suit you i want to see hotel recommendations when using rome2rio

best 10 places to visit in guadeloupe for singaporeantravellers - Jun 29 2022

web choose a country home choose a country a afghanistan albania algeria america

olivier véran dévoile la carte des départements en vert ou en - Mar 27 2022

web apr 30 2020 la carte des départements en vert ou en rouge a été dévoilée par olivier véran et jérôme salomon ce jeudi 35 départements sont en rouge quand à la guadeloupe elle est en vert mais selon le ministre cette information ne change en rien pour l'instant les règles de confinement

michelin le guide vert guadeloupe martiniquee paperback - Nov 03 2022

web find the best prices on michelin le guide vert guadeloupe martiniquee by michelin travel publications at biblio paperback 2001 michelin travel publications 2nd edition 9782060001500

guide vert guadeloupe pdf cyberlab sutd edu sg - Feb 23 2022

web you want to relax on the best beach sipping a cocktail got it this exciting alive guide is absolutely packed with detail offering hundreds of hotel review and restaurant recommendations plus you'll find out all sorts of tidbits about the islands history and culture alive guides cover every aspect of travel in

le guide vert michelin editions - Oct 14 2023

web le guide vert un contenu riche et précis noté par étoiles nos incontournables de la destination des plans cartes détaillées et suggestions d'itinéraires de nombreuses adresses sélectionnées pour tous les budgets des idées de programmes d'un week

end à plusieurs semaines

[guide vert guadeloupe cyberlab sutd edu sg](#) - May 29 2022

web monde guide du routard guadeloupe 2023 24 dec 12 2022 cet ebook est la version numérique du guide sans interactivité additionnelle nouvelle mise à jour du routard le guide de voyage n 1 en france avec ses 7 îles la guadeloupe offre un cadre exceptionnel pour les amateurs de randonnées de plages et de plongée

[guide vert guadeloupe broché collectif achat livre fnac](#) - May 09 2023

web oct 12 2019 buller sur une plage déserte se rafraîchir sous une cascade après une randonnée dans la jungle découvrir les fonds marins ou jouer avec les dauphins les plaisirs des îles de la guadeloupe sont infinis nos auteurs sur le terrain ont sélectionné 10 incontournables de la destination en images 20 coups de coeur 4

[guide vert guadeloupe Édition 2023 la compagnie des cartes](#) - Aug 12 2023

web ce guide est divisé en 5 micro régions la grande terre la basse terre les saintes marie galante la désirade et afin de préparer au mieux votre voyage utilisez la carte

guide vert guadeloupe abebooks - Feb 06 2023

web guide vert guadeloupe by collectif michelin and a great selection of related books art and collectibles available now at abebooks com

guide vert guadeloupe cyberlab sutd edu sg - Sep 01 2022

web have plenty of everything they need this is a complete and highly detailed guide to guadeloupe the restaurants the hotels what to see and what to do it is excerpted from our 650 page martinique guadeloupe dominica st lucia alive guide frommer s dollarwise guide to the caribbean oct 24 2021 le guide vert guadeloupe

guide vert guadeloupe 9782067253308 amazon com books - Mar 07 2023

web oct 11 2021 avec le guide vert guadeloupe retrouvez les sites à visiter sélectionnés et classés par étoiles intéressant mérite un détour vaut le voyage des circuits touristiques incontournables des idées d activités des promenades et circuits excursions randonnées et de nombreuses cartes et plans michelin

guide vert guadeloupe michelin boutique de l aventure michelin - Sep 13 2023

web guide vert guadeloupe michelin 16 95 buller sur une plage déserte se rafraîchir sous une cascade après une randonnée dans la jungle découvrir les fonds marins ou jouer avec les dauphins les plaisirs des îles de la guadeloupe sont infinis format 22 x 12 cm

[guide vert guadeloupe cyberlab sutd edu sg](#) - Oct 02 2022

web guide vert guadeloupe cyberlab sutd edu sg feb 28 2022 web it is excerpted from our 650 page martinique guadeloupe dominica st lucia alive guide frommer s dollarwise guide to the caribbean oct 24 2021 le guide vert michelin le guide vert

guadeloupe martiniquee paperback jun 03 2022

guadeloupe michelin green guide boutique de l aventure - Jun 10 2023

web guadeloupe michelin green guide 16 95 laze on a deserted beach cool off under a waterfall after a hike in the jungle explore the ocean floor or play with dolphins the possibilities for enjoying yourself in the guadeloupe islands are endless

guide vert guadeloupe 9782067206809 abebooks - Jan 05 2023

web abebooks com guide vert guadeloupe 9782067206809 and a great selection of similar new used and collectible books available now at great prices

100 años de la creación de turquía cómo cayó el imperio - Dec 24 2022

web resumen y sinopsis de los primeros 90 días de michael watkins el presidente tiene 100 días de prueba usted tiene 90 le acaban de ascender a un puesto de liderazgo nuevo

los primeros 90 días estrategias para ponerse al día con mayor - May 17 2022

web 2 hours ago tras un viaje de regreso eterno consecuencia de la borrasca ciarán en el que los bermellones han tenido que recorrer más de 1 300 kilómetros entre autocar tren

colombiana linares ruge en el salto largo de los panamericanos - Sep 08 2021

los primos 90 días youtube - Oct 10 2021

los primeros 90 días estrategias para ponerse al día con mayor - Jul 19 2022

web los primeros 90 días escrito por el destacado experto en transiciones de liderazgo michael watkins señala estrategias comprobadas que reducirán espectacularmente el

los primeros 90 días conecta magazine - Feb 11 2022

web primeros 90 dias estrategias críticas para el Éxito de nuevos líderes a todo nivel leer resumen collectivebooks co libros de liderazgo primeros 90 dias

aguirre confirma el regreso de darder y raíllo ante el betis los - Jan 13 2022

web oct 31 2023 santiago ap la sangre caribeña pudo más que el frío de santiago la campeona mundial dominicana marileidy paulino llevó al triunfo al relevo mixto 4x100

descargar los primeros 90 días estrategias de exito - Dec 12 2021

amazon com los primeros 90 días the first 90 days updated - Sep 01 2023

web los primeros 90 días the first 90 days updated and expanded edition spanish edition tapa blanda 22 septiembre 2017

edición en español de michael d watkins author

[los primeros 90 días estrategias para ponerse al día con mayor](#) - Jul 31 2023

web en su libro fundamental los primeros 90 días michael watkins aconseja que como líder en los primeros 90 días de su nuevo rol de liderazgo ud debe promocionarse

los primeros 90 días michael watkins planetadelibros - Mar 15 2022

web nov 23 2022 los primeros 90 días sin importar en qué nivel de la organización se encuentre tu nueva posición de liderazgo desde supervisor de proyectos a ceo cada

[los primeros 90 días por michael watkins](#) - Oct 22 2022

web en su libro fundamental los primeros 90 días michael watkins aconseja que como líder en los primeros 90 días de su nuevo rol de liderazgo ud debe promocionarse

los primeros 90 días claves y tácticas para adaptarte - Apr 15 2022

web jan 19 2006 los primeros 90 días estrategias de éxito decisivas para nuevos líderes es un libro escrito por michael watkins que fue publicado en

los primeros 90 días by michael d watkins harvard business - Jun 29 2023

web oct 1 2020 listen to los primeros 90 días by michael d watkins harvard business review with a free trial listen to bestselling audiobooks on the web ipad iphone and

los primeros 90 días michael watkins lecturalia - Aug 20 2022

web en este libro watkins proporciona estrategias prácticas para ayudar a los líderes a navegar con éxito en los primeros 90 días de su mandato el libro está dividido en tres partes

los primeros 90 días e kitap michael d watkins pdf d r - Jan 25 2023

web los 90 primeros días estrategias probadas para ponerse al día de una forma rápida e inteligente michael d watkins revertÉ management barcelona méxico

los primeros 90 días google books - Oct 02 2023

web sep 26 2018 gurufocus com en su libro fundamental los primeros 90 días michael watkins aconseja que como líder en los primeros 90 días de su nuevo rol de liderazgo ud debe promocionarse acelerar su

los primeros 90 días michael watkins - Nov 22 2022

web la guía más confiable del mundo para los líderes en transición las transiciones de los líderes y directivos en las empresas es un tema cada vez más importante en su libro

los primeros 90 días un resumen de libros para - Mar 27 2023

web bir michael d watkins eseri olan los primeros 90 días e kitap olarak en cazip fiyat ile d r de keşfetmek için hemen

tıklayınız

[los primeros 90 días ebook casa del libro](#) - Feb 23 2023

web oct 29 2023 la victoria de los aliados en medio oriente durante la primera guerra mundial 1914 1918 fue uno de los detonantes de la desintegración del imperio

pdf los primeros 90 días de michael d watkins perlego - Jun 17 2022

web los primeros 90 días conceptos clave la transición a un nuevo puesto de liderazgo le presenta 10 retos principales desde dejar atrás el pasado hasta aprender su nuevo

edición 10º aniversario rem revert management libros - Sep 20 2022

web sep 26 2018 los primeros 90 días es una magnífica herramienta para cualquier coach ejecutivo y por supuesto para cualquier ejecutivo sin experiencia lo recomiendo

los primeros 90 días michael d watkins google books - Apr 27 2023

web en su libro fundamental los primeros 90 días michael watkins aconseja que como líder en los primeros 90 días de su nuevo rol de liderazgo ud debe promocionarse

los primeros 90 días revertmanagement com - May 29 2023

web oct 24 2017 los primeros 90 días michael d watkins revert management oct 24 2017 business economics 315 pages más de 1 500 000 ejemplares vendidos uno

los primeros 90 días rem revert management libros - Nov 10 2021

[managing for quality and performance excellence james evans](#) - Dec 07 2022

web jan 30 2007 james evans william lindsay cengage learning jan 30 2007 business economics 848 pages prepare for success in quality management today with this leading text s focus on the

quality and performance excellence management organization - Apr 30 2022

web rev ed of total quality management organization and strategy 4th ed includes bibliographical references and index access restricted item true addeddate 2022 06 02 16 15 30 associated names evans james r james robert 1950 total quality autocrop version

the leading provider of higher education course materials - Mar 30 2022

web the leading provider of higher education course materials cengage

quality and performance excellence management organization and - Jun 13 2023

web nov 25 2021 includes bibliographical references and index introduction to quality and performance excellence frameworks for quality and performance excellence tools and techniques for quality design and control tools and techniques

for quality improvement competitive advantage and strategic management for performance
[the management and control of quality by james r evans](#) - Feb 26 2022

web managing for quality and performance excellence the tensions and conflicts between uniformity and uniqueness the
management and control of quality by james r evans the management and control of quality by james r evans 3 3 integral to
the way in which organizations function while control theory research spans many decades

quality performance excellence 8th edition vitalsource - Jun 01 2022

web quality performance excellence 8th edition is written by james r evans and published by cengage learning the digital and
etextbook isbn for quality performance excellence are 9781305887947 1305887948 and the print isbn are 9781337250016
1337250015 save up to 80 versus print by going digital with

[managing for quality and performance excellence evans](#) - Oct 05 2022

web sep 17 2019 about this edition managing for quality and performance excellence 11e helps you learn on your terms this
edition presents the latest developments in the field as you examine fundamental principles criteria and the historic
underpinnings of total quality

quality performance excellence evans james r - Aug 15 2023

web jan 1 2016 delivering cutting edge coverage that includes the latest thinking and practices from the field quality and
performance excellence 8e presents the basic principles and tools associated with quality and performance excellence

[managing for quality and performance excellence evans james](#) - Aug 03 2022

web previously published under title the management and control of quality includes bibliographical references and index 1
introduction to quality 2 total quality in organizations 3 philosophies and frameworks 4 focusing on customers 5 leadership
and strategic planning 6 high performance human resource practices 7

quality performance excellence james r evans google - Jul 14 2023

web mar 13 2016 quality and performance excellence 8e presents the basic principles and tools associated with quality and
performance excellence through cutting edge coverage that includes the latest

[quality performance excellence edition 8 google play](#) - Nov 06 2022

web quality performance excellence edition 8 ebook written by james r evans read this book using google play books app on
your pc android ios devices download for offline reading highlight bookmark or take notes while you read quality
performance excellence edition 8

managing for quality and performance excellence james r evans - Mar 10 2023

web may 2 2019 about the author 2019 william m lindsay is professor emeritus of management at northern kentucky
university in addition to co authoring eight editions of managing for quality and

managing for quality and performance excellence amazon com - Jul 02 2022

web jan 1 2016 managing for quality and performance excellence kindle edition by evans james r lindsay william m download it once and read it on your kindle device pc phones or tablets use features like bookmarks note taking and highlighting while reading managing for quality and performance excellence

pdf quality performance excellence by james evans perlego - Jan 28 2022

web delivering cutting edge coverage that includes the latest thinking and practices from the field quality and performance excellence 8e presents the basic principles and tools associated with quality and performance excellence

managing for quality and performance excellence james r evans - Jan 08 2023

web jan 1 2010 managing for quality and performance excellence james r evans william m lindsay google books the new edition of this definitive market leader and authoritative educational reference

managing for quality and performance excellence james r evans - May 12 2023

web jan 2 2013 managing for quality and performance excellence prepare for success in quality management today with this leading text that focuses on the fundamental principles of total quality and

managing for quality and performance excellence worldcat org - Dec 27 2021

web managing for quality and performance excellence authors james r evans author william m lindsay author print book english 2017 edition tenth edition view all formats and editions publisher cengage learning boston ma 2017 show more information

quality performance excellence evans james r abebooks - Sep 04 2022

web evans james r packed with cutting edge coverage that includes the latest theory and practices from the field quality and performance excellence 8e has three primary objectives familiarize students with the basic principles and methods show how these principles and methods have been put into effect in a variety of organizations and

quality performance excellence james r evans google - Apr 11 2023

web mar 4 2010 james r evans cengage learning mar 4 2010 business economics 480 pages packed with relevant real world illustrations and cases quality and performance excellence 6e presents

quality and performance excellence google books - Feb 09 2023

web quality and performance excellence management organization and strategy james robert evans cengage learning 2016 quality assurance 470 pages packed with cutting edge coverage