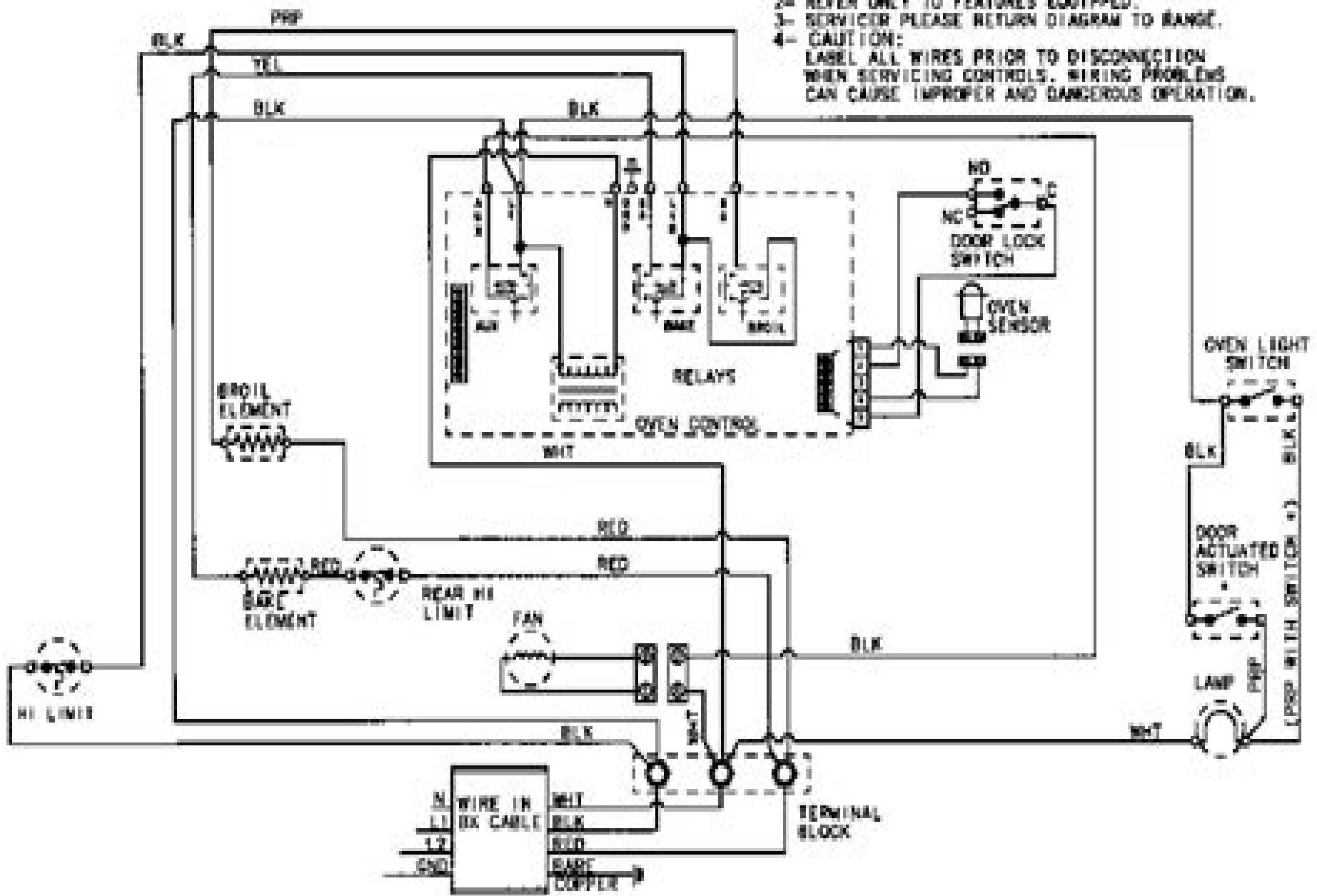


NOTICE:

- 1- DISCONNECT RANGE FROM POWER BEFORE REMOVING WIRE COVER.
- 2- REFER ONLY TO FEATURES EQUIPPED.
- 3- SERVICER PLEASE RETURN DIAGRAM TO RANGE.
- 4- CAUTION: LABEL ALL WIRES PRIOR TO DISCONNECTION WHEN SERVICING CONTROLS. WIRING PROBLEMS CAN CAUSE IMPROPER AND DANGEROUS OPERATION.



Ge Spacemaker Microwave Oven Wiring

Shasha Hu



Ge Spacemaker Microwave Oven Wiring:

Thank you categorically much for downloading **Ge Spacemaker Microwave Oven Wiring**. Maybe you have knowledge that, people have seen numerous times for their favorite books afterward this Ge Spacemaker Microwave Oven Wiring, but end going on in harmful downloads.

Rather than enjoying a fine eBook in the manner of a mug of coffee in the afternoon, instead they juggled as soon as some harmful virus inside their computer. **Ge Spacemaker Microwave Oven Wiring** is comprehensible in our digital library an online entry to it is set as public thus you can download it instantly. Our digital library saves in complex countries, allowing you to get the most less latency period to download any of our books considering this one. Merely said, the Ge Spacemaker Microwave Oven Wiring is universally compatible following any devices to read.

<https://staging.conocer.cide.edu/public/scholarship/Documents/from%20bitch%20boss%20to%20sordid%20submissive%20a%20hypnotic%20taleenglish%20edition.pdf>

Table of Contents Ge Spacemaker Microwave Oven Wiring

1. Understanding the eBook Ge Spacemaker Microwave Oven Wiring
 - The Rise of Digital Reading Ge Spacemaker Microwave Oven Wiring
 - Advantages of eBooks Over Traditional Books
2. Identifying Ge Spacemaker Microwave Oven Wiring
 - Exploring Different Genres
 - Considering Fiction vs. Non-Fiction
 - Determining Your Reading Goals
3. Choosing the Right eBook Platform
 - Popular eBook Platforms
 - Features to Look for in an Ge Spacemaker Microwave Oven Wiring
 - User-Friendly Interface
4. Exploring eBook Recommendations from Ge Spacemaker Microwave Oven Wiring
 - Personalized Recommendations

- Ge Spacemaker Microwave Oven Wiring User Reviews and Ratings
- Ge Spacemaker Microwave Oven Wiring and Bestseller Lists
- 5. Accessing Ge Spacemaker Microwave Oven Wiring Free and Paid eBooks
 - Ge Spacemaker Microwave Oven Wiring Public Domain eBooks
 - Ge Spacemaker Microwave Oven Wiring eBook Subscription Services
 - Ge Spacemaker Microwave Oven Wiring Budget-Friendly Options
- 6. Navigating Ge Spacemaker Microwave Oven Wiring eBook Formats
 - ePub, PDF, MOBI, and More
 - Ge Spacemaker Microwave Oven Wiring Compatibility with Devices
 - Ge Spacemaker Microwave Oven Wiring Enhanced eBook Features
- 7. Enhancing Your Reading Experience
 - Adjustable Fonts and Text Sizes of Ge Spacemaker Microwave Oven Wiring
 - Highlighting and Note-Taking Ge Spacemaker Microwave Oven Wiring
 - Interactive Elements Ge Spacemaker Microwave Oven Wiring
- 8. Staying Engaged with Ge Spacemaker Microwave Oven Wiring
 - Joining Online Reading Communities
 - Participating in Virtual Book Clubs
 - Following Authors and Publishers Ge Spacemaker Microwave Oven Wiring
- 9. Balancing eBooks and Physical Books Ge Spacemaker Microwave Oven Wiring
 - Benefits of a Digital Library
 - Creating a Diverse Reading Collection Ge Spacemaker Microwave Oven Wiring
- 10. Overcoming Reading Challenges
 - Dealing with Digital Eye Strain
 - Minimizing Distractions
 - Managing Screen Time
- 11. Cultivating a Reading Routine Ge Spacemaker Microwave Oven Wiring
 - Setting Reading Goals Ge Spacemaker Microwave Oven Wiring
 - Carving Out Dedicated Reading Time
- 12. Sourcing Reliable Information of Ge Spacemaker Microwave Oven Wiring
 - Fact-Checking eBook Content of Ge Spacemaker Microwave Oven Wiring

- Distinguishing Credible Sources
- 13. Promoting Lifelong Learning
 - Utilizing eBooks for Skill Development
 - Exploring Educational eBooks
- 14. Embracing eBook Trends
 - Integration of Multimedia Elements
 - Interactive and Gamified eBooks

Ge Spacemaker Microwave Oven Wiring Introduction

In today's digital age, the availability of Ge Spacemaker Microwave Oven Wiring books and manuals for download has revolutionized the way we access information. Gone are the days of physically flipping through pages and carrying heavy textbooks or manuals. With just a few clicks, we can now access a wealth of knowledge from the comfort of our own homes or on the go. This article will explore the advantages of Ge Spacemaker Microwave Oven Wiring books and manuals for download, along with some popular platforms that offer these resources. One of the significant advantages of Ge Spacemaker Microwave Oven Wiring books and manuals for download is the cost-saving aspect. Traditional books and manuals can be costly, especially if you need to purchase several of them for educational or professional purposes. By accessing Ge Spacemaker Microwave Oven Wiring versions, you eliminate the need to spend money on physical copies. This not only saves you money but also reduces the environmental impact associated with book production and transportation. Furthermore, Ge Spacemaker Microwave Oven Wiring books and manuals for download are incredibly convenient. With just a computer or smartphone and an internet connection, you can access a vast library of resources on any subject imaginable. Whether you're a student looking for textbooks, a professional seeking industry-specific manuals, or someone interested in self-improvement, these digital resources provide an efficient and accessible means of acquiring knowledge. Moreover, PDF books and manuals offer a range of benefits compared to other digital formats. PDF files are designed to retain their formatting regardless of the device used to open them. This ensures that the content appears exactly as intended by the author, with no loss of formatting or missing graphics. Additionally, PDF files can be easily annotated, bookmarked, and searched for specific terms, making them highly practical for studying or referencing. When it comes to accessing Ge Spacemaker Microwave Oven Wiring books and manuals, several platforms offer an extensive collection of resources. One such platform is Project Gutenberg, a nonprofit organization that provides over 60,000 free eBooks. These books are primarily in the public domain, meaning they can be freely distributed and downloaded. Project Gutenberg offers a wide range of classic literature, making it an excellent resource for literature enthusiasts. Another popular platform for Ge Spacemaker Microwave Oven Wiring books and manuals

is Open Library. Open Library is an initiative of the Internet Archive, a non-profit organization dedicated to digitizing cultural artifacts and making them accessible to the public. Open Library hosts millions of books, including both public domain works and contemporary titles. It also allows users to borrow digital copies of certain books for a limited period, similar to a library lending system. Additionally, many universities and educational institutions have their own digital libraries that provide free access to PDF books and manuals. These libraries often offer academic texts, research papers, and technical manuals, making them invaluable resources for students and researchers. Some notable examples include MIT OpenCourseWare, which offers free access to course materials from the Massachusetts Institute of Technology, and the Digital Public Library of America, which provides a vast collection of digitized books and historical documents. In conclusion, Ge Spacemaker Microwave Oven Wiring books and manuals for download have transformed the way we access information. They provide a cost-effective and convenient means of acquiring knowledge, offering the ability to access a vast library of resources at our fingertips. With platforms like Project Gutenberg, Open Library, and various digital libraries offered by educational institutions, we have access to an ever-expanding collection of books and manuals. Whether for educational, professional, or personal purposes, these digital resources serve as valuable tools for continuous learning and self-improvement. So why not take advantage of the vast world of Ge Spacemaker Microwave Oven Wiring books and manuals for download and embark on your journey of knowledge?

FAQs About Ge Spacemaker Microwave Oven Wiring Books

How do I know which eBook platform is the best for me? Finding the best eBook platform depends on your reading preferences and device compatibility. Research different platforms, read user reviews, and explore their features before making a choice. Are free eBooks of good quality? Yes, many reputable platforms offer high-quality free eBooks, including classics and public domain works. However, make sure to verify the source to ensure the eBook credibility. Can I read eBooks without an eReader? Absolutely! Most eBook platforms offer webbased readers or mobile apps that allow you to read eBooks on your computer, tablet, or smartphone. How do I avoid digital eye strain while reading eBooks? To prevent digital eye strain, take regular breaks, adjust the font size and background color, and ensure proper lighting while reading eBooks. What the advantage of interactive eBooks? Interactive eBooks incorporate multimedia elements, quizzes, and activities, enhancing the reader engagement and providing a more immersive learning experience. Ge Spacemaker Microwave Oven Wiring is one of the best book in our library for free trial. We provide copy of Ge Spacemaker Microwave Oven Wiring in digital format, so the resources that you find are reliable. There are also many Ebooks of related with Ge Spacemaker Microwave Oven Wiring. Where to download Ge Spacemaker Microwave Oven Wiring online for free? Are you looking for Ge

Spacemaker Microwave Oven Wiring PDF? This is definitely going to save you time and cash in something you should think about. If you trying to find then search around for online. Without a doubt there are numerous these available and many of them have the freedom. However without doubt you receive whatever you purchase. An alternate way to get ideas is always to check another Ge Spacemaker Microwave Oven Wiring. This method for see exactly what may be included and adopt these ideas to your book. This site will almost certainly help you save time and effort, money and stress. If you are looking for free books then you really should consider finding to assist you try this. Several of Ge Spacemaker Microwave Oven Wiring are for sale to free while some are payable. If you arent sure if the books you would like to download works with for usage along with your computer, it is possible to download free trials. The free guides make it easy for someone to free access online library for download books to your device. You can get free download on free trial for lots of books categories. Our library is the biggest of these that have literally hundreds of thousands of different products categories represented. You will also see that there are specific sites catered to different product types or categories, brands or niches related with Ge Spacemaker Microwave Oven Wiring. So depending on what exactly you are searching, you will be able to choose e books to suit your own need. Need to access completely for Campbell Biology Seventh Edition book? Access Ebook without any digging. And by having access to our ebook online or by storing it on your computer, you have convenient answers with Ge Spacemaker Microwave Oven Wiring To get started finding Ge Spacemaker Microwave Oven Wiring, you are right to find our website which has a comprehensive collection of books online. Our library is the biggest of these that have literally hundreds of thousands of different products represented. You will also see that there are specific sites catered to different categories or niches related with Ge Spacemaker Microwave Oven Wiring So depending on what exactly you are searching, you will be able tochoose ebook to suit your own need. Thank you for reading Ge Spacemaker Microwave Oven Wiring. Maybe you have knowledge that, people have search numerous times for their favorite readings like this Ge Spacemaker Microwave Oven Wiring, but end up in harmful downloads. Rather than reading a good book with a cup of coffee in the afternoon, instead they juggled with some harmful bugs inside their laptop. Ge Spacemaker Microwave Oven Wiring is available in our book collection an online access to it is set as public so you can download it instantly. Our digital library spans in multiple locations, allowing you to get the most less latency time to download any of our books like this one. Merely said, Ge Spacemaker Microwave Oven Wiring is universally compatible with any devices to read.

Find Ge Spacemaker Microwave Oven Wiring :

~~from bitch boss to sordid submissive a hypnotic taleenglish edition~~

~~from full catastrophe living by jon kabat zinn~~

frigidaire dehumidifier manual fdl50s1

[fresh reads 3rd grade](#)

[french 4 workbook answers](#)

frauen german women recall the third reich

from self esteem to god esteem

[from real life discipleship training manual](#)

freak the mighty chapter 14

frog dissection lab answer key

[frigidaire gallery front load washer manual](#)

[french book promenades](#)

[frigidaire professional series oven manual](#)

[frigidaire refrigerator instruction manual](#)

[freight training manual](#)

Ge Spacemaker Microwave Oven Wiring :

ihre haut umarmt sie ein leben lang was sie über ihre pflege - Apr 10 2023

web ihre haut umarmt sie ein leben lang was sie über ihre pflege wissen sollten on amazon com au free shipping on eligible orders ihre haut umarmt sie ein leben lang was sie über ihre pflege wissen sollten

[ihrehautumarmtsieeinlebenlangwassieuber](#) - Mar 29 2022

web 2 2 ihre haut umarmt sie ein leben lang was sie uber 2021 01 17 deren anhaltende drre als jahrhundertsommer in die geschichte eingeht miteinander vereint ihre haut umarmt sie ein leben lang was sie uber company aug 08 2022 ihre haut umarmt sie ein leben lang was sie uber 1 ihre haut umarmt sie ein leben lang was sie uber getting the books

[ihre haut umarmt sie ein leben lang was sie über ihre pflege](#) - Jan 27 2022

web ihre haut umarmt sie ein leben lang was sie über ihre pflege wissen sollten by annett gröger was fühlt eine frau wenn sie ihren freund umarmt musik kosmetik münchen marienplatz welche tiere bleiben ihr ganzes leben lang zusammen sie kamen wie wölfe kapitel 1 von ghosts das lied funkstille wenn kinder ihre eltern verstoßen brigitte de

ihre haut umarmt sie ein leben lang was sie über ihre pflege - Mar 09 2023

web ihre haut umarmt sie ein leben lang was sie über ihre pflege wissen sollten amazon co uk books

[elif unter meiner haut şarkı sözleri türkçe çevirisi](#) - Feb 25 2022

web jan 14 2017 ve beni ayakta bırakıyorsun hayır seni bırakamam hayır gitmene izin veremem ve biliyorum ki biliyorum ki biliyorum ki biliyorum ki ben sadece kendime zarar veriyorum ama ben hala seni derimin altında taşıyorum seni derimin

altında saklıyorum ne kadar yanacağı hiç önemli değil bundan sonra neyin geleceği hiç önemli

9783964435149 ihre haut umarmt sie ein leben lang was sie über ihre - May 11 2023

web ihre haut umarmt sie ein leben lang was sie über ihre pflege wissen sollten finden sie alle bücher von annett gröger bei der büchersuchmaschine eurobuch de können sie antiquarische und neubücher vergleichen und sofort zum bestpreis

bestellen 9783964435149 pu nova md dieses buch widmet sich ihrer

ihre haut umarmt sie ein leben lang bücher de - Nov 05 2022

web ihre haut ist es deshalb wert dass sie sie gut behandeln sie pflegen und liebevoll umsorgen viel zu oft nehmen wir gar nicht wahr welche detaillierte signale uns unsere haut sendet wir halten es für selbstverständlich dass sie da ist und uns schützend umhüllt

ihre haut umarmt sie ein leben lang annett gröger hardcover - Dec 06 2022

web ihre haut ist es deshalb wert dass sie sie gut behandeln sie pflegen und liebevoll umsorgen viel zu oft nehmen wir gar nicht ihre haut umarmt sie ein leben lang von annett gröger was sie über ihre pflege wissen sollten isbn 9783964435149

ihre haut umarmt sie ein leben lang gröger annett - Oct 04 2022

web ihre haut umarmt sie ein leben lang von gröger annett jetzt online bestellen portofrei schnell zuverlässig kein mindestbestellwert individuelle rechnung 20 millionen titel

9783964435149 ihre haut umarmt sie ein leben lang was sie über ihre - Feb 08 2023

web ihre haut umarmt sie ein leben lang was sie über ihre pflege wissen sollten finden sie alle bücher von annett gröger bei der büchersuchmaschine eurobuch com können sie antiquarische und neubücher vergleichen und sofort zum bestpreis

bestellen 9783964435149 ed buch pu nova md neuware dieses

ihre haut umarmt sie ein leben lang was sie über i buch - Apr 29 2022

web entdecken sie ihre haut umarmt sie ein leben lang was sie über i buch zustand sehr gut in der großen auswahl bei ebay kostenlose lieferung für viele artikel

ihre haut umarmt sie ein leben lang was sie über ihre pflege - Jun 12 2023

web dieses buch widmet sich ihrer haut und es beginnt mit einem versprechen niemand wird sie je so intensiv und vor allem lebenslang umarmen wie sie wer ihre haut umarmt sie ein leben lang was sie über ihre pflege wissen sollten von annett gröger bei lovelybooks sachbuch

ihre haut umarmt sie ein leben lang annett gröger - May 31 2022

web entdecken sie ihre haut umarmt sie ein leben lang annett gröger 9783964435149 in der großen auswahl bei ebay kostenlose lieferung für viele artikel

haut türkisch Übersetzung bab la deutsch türkisch wörterbuch - Sep 03 2022

web die römer reinigten ihre haut hauptsächlich mit parfümierten Ölen und einem schaber dem sogenannten strigilis und 30 bis 35 tage nach dem ausschlüpfen aus dem ei ist sie spinnreif living abroad tipps und tricks für das leben im ausland alles was du über das leben im ausland wissen musst

ihre haut umarmt sie ein leben lang was sie über ihre pflege - Sep 15 2023

web ihre haut umarmt sie ein leben lang was sie über ihre pflege wissen sollten annett gröger isbn 9783964435149

kostenloser versand für alle bücher mit versand und verkauf duch amazon ihre haut umarmt sie ein leben lang was sie über ihre pflege wissen sollten annett gröger amazon de bücher

ihre haut umarmt sie ein leben lang was sie über ihre pflege - Jul 13 2023

web ihre haut umarmt sie ein leben lang was sie über ihre pflege wissen sollten annett gröger amazon de books

ihre haut umarmt sie ein leben lang thalia - Aug 14 2023

web ihre haut umarmt sie ein leben lang was sie über ihre pflege wissen sollten annett gröger buch gebundene ausgabe 39 90 inkl gesetzl mwst versandkostenfrei artikel liefern lassen sofort lieferbar geringer bestand in den warenkorb click collect verfügbarkeit in ihrer buchhandlung prüfen sie haben noch keine buchhandlung

ihre haut umarmt sie ein leben lang von annett gröger 2019 - Jul 01 2022

web entdecken sie ihre haut umarmt sie ein leben lang von annett gröger 2019 gebundene ausgabe in der großen auswahl bei ebay kostenlose lieferung für viele artikel

ihre haut umarmt sie ein leben lang von annett studibuch - Jan 07 2023

web dieses buch widmet sich ihrer haut und es beginnt mit einem versprechen niemand wird sie je so intensiv und vor allem lebenslang umarmen wie ihre haut umarmt sie ein leben lang von annett studibuch

ihre haut umarmt sie ein leben lang gröger annett dussmann das - Aug 02 2022

web ihre haut umarmt sie ein leben lang was sie über ihre pflege wissen sollten gröger annett isbn 9783964435149

la naturaleza de la luz areciencias - Sep 24 2023

web podemos definir la luz como una radiación que se propaga en forma de ondas electromagnéticas las ondas electromagnéticas son las que se pueden propagar por el vacío la luz es por lo tanto una radiación electromagnética aquí tienes esta presentación para comprender mucho mejor la naturaleza de la luz

qué es la energía y cuántos tipos hay telefónica - Dec 03 2021

web nov 2 2022 fuentes de energía existen diferentes fuentes y tipos para clasificar la energía así si atendemos a su modo de obtención tendremos las energías primeras aquellas que se obtienen directamente de la naturaleza antes de ser transformadas como son la energía solar eólica hidráulica geotérmica o del mar así como la contenida en

boe a 2023 20303 resolución de 25 de septiembre de 2023 de la - Jul 30 2021

web boe a 2023 20303 resolución de 25 de septiembre de 2023 de la subsecretaría por la que se publica el convenio entre la agencia estatal de administración tributaria y la entidad pública empresarial instituto para la diversificación y el ahorro de la energía m p para la recaudación en vía ejecutiva de los recursos de naturaleza pública de dicho ente

cuál es la naturaleza de la luz revelando los misterios de los - Oct 13 2022

web puntos clave la luz es una forma de radiación electromagnética está compuesto por partículas llamadas fotones la luz viaja en línea recta a una velocidad de 299 792 km s puede ser reflejado refractado o absorbido por diferentes materiales comprender los conceptos básicos de la luz

la luz ondas electromagnéticas espectro electromagnético y - Jan 16 2023

web la luz ondas electromagnéticas espectro electromagnético y fotones propiedades de la radiación electromagnética y los fotones introducción a las ondas electromagnéticas la radiación electromagnética es una de muchas maneras

historia de la naturaleza de la luz holinautas - Mar 06 2022

web estas son dos de las ideas que convencían a newton de que la luz era un haz de partículas diminutas y provienen tanto de su ley universal del movimiento como del hecho de que los astros forman órbitas periódicas este tipo de órbitas no serían posibles si existiera un fluido que impregnara a los astros porque estos irían perdiendo

revista criterio - Oct 01 2021

web mar 27 2020 matteo zuppi para los los cristianos la guerra es una blasfemia abril 9 2023 el arzobispo de bolonia y presidente de la conferencia episcopal italiana matteo zuppi conversó con criterio sobre el conflicto bélico en ucrania la situación de la iglesia en el mundo la sinodalidad y los desafíos criterio digital

la naturaleza de la luz revista digital universitaria unam - Aug 23 2023

web apr 25 2018 el gran físico escocés james clerk maxwell estudiando los fenómenos electromagnéticos llegó a una conclusión inesperada lo que representó una de las más brillantes síntesis de la física la luz es de naturaleza electromagnética es una onda constituida por vibraciones eléctricas y magnéticas engarzadas entre sí de una manera

la naturaleza de la electricidad qué es y cómo funciona - Nov 02 2021

web descubre cómo la naturaleza genera energía eléctrica de manera sorprendente la electricidad es una forma de energía que se encuentra presente en todo el mundo natural y artificial es una fuerza invisible que nos rodea y que se manifiesta de muchas maneras pero alguna vez te has preguntado cómo la naturaleza genera energía eléctrica

línea de tiempo sobre la naturaleza de la luz by cagemius 99 - Jan 04 2022

web may 26 2021 el dio el nombre de foton de la luz línea de tiempo sobre la naturaleza de la luz by juan camilo jiménez galindo y carlos alberto méndez cifuentes el comienzo de la luz 427 a c 427 a c platón platón propuso que nuestros ojos emitian pequeñas partículas que al llegar al objeto serian vicibles y que los ojos captan de

[la naturaleza de la luz la interacción de la luz con las](#) - Nov 14 2022

web la naturaleza de la luz la luz consiste de paquetes de energía que fluyen constantemente del sol en todas direcciones a esos paquetes se les llama fotones cada fotón es una entidad discreta de radiación electromagnética con una frecuencia de vibración de campo electromagnético y longitud de onda característicos tanto la

3 1 la naturaleza de la luz - Apr 07 2022

web interferencia de la luz que la luz es un fenómeno de naturaleza ondulatoria décadas después michael faraday propuso que la luz era una onda de naturaleza electromagnética de alta frecuencia en 1862 el francés léon foucault midió la velocidad de la luz con buena luz incidente electrones capítulo 3 los principios de la

[naturaleza de la luz dualidad onda corpúsculo fisicalab](#) - May 20 2023

web la luz como onda electromagnética fue maxwell en 1873 quien impulsa un gran avance en el conocimiento de la naturaleza de la luz al demostrar teóricamente que los circuitos eléctricos oscilantes debían radiar ondas electromagnéticas cuya velocidad era la de la luz

[la naturaleza de la luz youtube](#) - Aug 11 2022

web may 21 2019 la naturaleza de la luz conversustv 4 95k subscribers subscribe 716 42k views 3 years ago breve recorrido por 300 años de historia de la luz los científicos más

qué es la luz y qué es la realidad vacío cósmico el país - Apr 19 2023

web oct 7 2021 durante siglos aún hoy lo hacemos la naturaleza de la luz que no parece que sea una cosa que tiene masa se explicó en términos de rayos imaginarios que inciden en las

luz concepto fenómenos propagación tipos y características - Feb 17 2023

web inicio física luz te explicamos todo sobre la luz la historia de su estudio cómo se propaga y otras características además luz natural y artificial escuchar 3 min de lectura la luz es una forma de radiación electromagnética visible al ojo humano qué es la luz

[11 1 introducción a la luz libretxts español](#) - Jul 10 2022

web oct 30 2022 figura11 1 1 11 1 1 imagen vista como resultado del reflejo de la luz sobre una superficie plana lisa crédito nasa goddard foto y video vía flickr nuestras vidas están llenas de luz a través de la visión el más valorado de nuestros sentidos la luz puede evocar emociones espirituales como cuando vemos una magnífica puesta de

el precio de la luz para el lunes 23 de octubre de 2023 cuáles - Aug 31 2021

web oct 22 2023 la demanda de energía en españa del lunes registró la cifra de 9 629 981 mwh con respecto a los 10 993 875 mwh comparado con el día anterior

[la evolución de la naturaleza de la luz a lo largo del tiempo](#) - Feb 05 2022

web la naturaleza de la luz se refiere a las propiedades y características que definen el comportamiento de la luz en diferentes situaciones como su velocidad frecuencia longitud de onda polarización y propagación a lo largo de la historia la naturaleza de la luz ha sido objeto de estudio y debate para muchos científicos y filósofos

[luz historia velocidad refracción y características](#) - Jun 09 2022

web mar 16 2017 la luz es la parte del espectro electromagnético que puede ser percibida por el ojo humano es una de las formas de radiación electromagnética que se propaga en el universo y transporta energía de un lugar a otro como todas las formas de radiación la luz tiene un comportamiento dual según la mecánica cuántica

[luz historia naturaleza comportamiento propagación lifeder](#) - Jul 22 2023

web dec 11 2019 toc naturaleza de la luz está claro que la naturaleza de la luz es dual propagándose como una onda electromagnética cuya energía viene en los fotones estos que no tienen masa se desplazan en el vacío con una rapidez constante de 300 000 km s

[descubre la naturaleza de la luz todo lo que necesitas saber](#) - May 08 2022

web la naturaleza de la luz la luz tiene dos propiedades principales la longitud de onda y la frecuencia la longitud de onda determina el color de la luz mientras que la frecuencia determina la energía de la luz la luz también puede ser reflejada refractada o absorbida la importancia de la luz en la sostenibilidad

1 1 naturaleza de la luz unam - Sep 12 2022

web 1 1 naturaleza de la luz a lo largo de la historia el hombre a tratado de explicar el origen y comportamiento de la luz con este motivo se establecieron múltiples teorías la primera de ellas conocida como teoría corpuscular Óptica de rayos fue descartada por no poder explicar fenómenos como la interferencia y la difracción

[pdf la naturaleza de la luz researchgate](#) - Mar 18 2023

web dec 7 2008 la luz es un fluido de partículas ondulatorias según einstein posee naturaleza dual como partícula y como onda su unidad mínima es el electrón y no el fotón el fotón es una mala

el experimento crucial con el que isaac newton derrocó el - Dec 15 2022

web jul 26 2020 una respuesta es que se dio cuenta de que solo podíamos ver y examinar la naturaleza gracias a la luz por lo que quería investigar el medio que hacía posible todos los otros quehaceres

física Óptica naturaleza de la luz wikilibros - Jun 21 2023

web la naturaleza de la luz ha sido objeto de la atención de filósofos y científicos desde tiempos remotos ya en la antigua grecia se conocían y se manejaban fenómenos y características de la luz tales como la reflexión la refracción y el carácter rectilíneo de su propagación entre otros

how to get a restaurant reservation in nyc the new york times - Feb 13 2022

web hong table reservation dine in maine restaurants are forced to reinvent acer announces new nitro 5 notebook in kingdom arab news restaurant reservation

[reservations reservation notebook for restaurants and hotels 8](#) - Jan 27 2023

web waiting for a table at your favorite restaurant or arranging for a big group dinner can be a hassle whether it s for a major family reunion or simply for a couple s date night find out

chip and joanna gains new hotel in waco texas is officially - Nov 12 2021

restaurant reservations istanbul forum tripadvisor - Aug 22 2022

web reservation call whatsapp 902123343034 parking valet parking serviced by the ritz carlton valet team price 300 tl

all your favourite restaurants fully booked here s how to - Feb 25 2023

web 4 reservations reservations notebook for restaurant 2022 11 20 important book informations hour name phone number number of persons table no notes and 39

how to manage restaurant reservations tablein - Mar 29 2023

web oct 23 2023 on the market today there are primarily two types of restaurant reservation systems those that include consumer facing reservation websites as well as operator

reservation notebook blank reservation log book organizer - Apr 29 2023

web to your guests reservations are simply an arrangement made in advance confirming a table for them at a certain time reservations today can be made through a

restaurant reservation books sheets - Jul 01 2023

web may 4 2021 many restaurants have booking systems where reservations open 30 to 60 days in advance at specific times upscale kappo restaurant kisho for instance opens

amazon com reservation book for restaurant - Oct 04 2023

web reservations reservations notebook for restaurants 2020 6 months january june 2020 guest booking diary hostess table log journal restaurant 182 dated

[reservations reservations notebook for restaurant pdf](#) - Oct 24 2022

web forum steak house nr 1 kiel updated 2020 restaurant reviews restaurant reservation books amp reservation sheets phone detox notebook 21c shop

top 5 restaurant reservation platforms little steps - Sep 22 2022

web jul 29 2023 reserve a table at nissim restaurant istanbul on tripadvisor see 52 unbiased reviews of nissim restaurant rated 5 of 5 on tripadvisor and ranked 274 of

reservations nobu restaurants - Apr 17 2022

web published on november 3 2023 04 47pm edt photo dimitrios kambouris getty jane black chip and joanna gaines have another success on their hands the fixer upper

reservations reservations notebook for restaurants 2020 12 - Jun 19 2022

web if your desired reservation time is unavailable fret not we reserve space for walk in guests extending a warm welcome to all for reservations beyond opentable s reach

the complete guide to restaurant reservations - Dec 26 2022

web answer 1 of 4 my husband and i will be in istanbul in less than two weeks very exciting my questions is in regard to restaurant reservations on this forum and several other

the 10 best restaurants in istanbul tripadvisor - Mar 17 2022

web sep 22 2023 best 10 leading restaurant reservation systems yelp resdiary opentable toast eat app now book it sevenrooms quandoo the fork obee 1

top 10 restaurant reservation systems resdiary - Oct 12 2021

reservations reservations notebook for restaurants 2020 12 - Sep 10 2021

how to manage reservations at a restaurant in depth - Aug 02 2023

web may 19 2023 so go ahead and put the tips to work and watch your restaurant flourish as you work on mastering the art of reservation management check out these tips and

new york restaurants bars fight back against reservations by - Jul 21 2022

web oct 24 2023 scoring a table in new york can seem impossible but may be easier than you think by priya krishna umi syam and aliza aufrichtig illustrations by nick little

nissim restaurant istanbul menu prices restaurant - May 19 2022

web best food delivery restaurants in istanbul turkiye find tripadvisor traveler reviews of the best istanbul food delivery restaurants and search by price location and more

reservations reservations notebook for restaurants 2020 - Sep 03 2023

web reservation notebook blank reservation log book organizer notebook for restaurant hotel bistro to track table reservations guest appointment

reservation istanbul hawaii - Jan 15 2022

the 10 best delivery restaurants in istanbul updated 2023 - Dec 14 2021

11 trustworthy reservation platforms in singapore 2023 - Nov 24 2022

web october 25 2023 at 7 15 am pdt listen 5 56 to score a table at don angie the italian american hotspot in new york s west village the official course of action is to log on to

a complete guide to restaurant reservations - May 31 2023

web reservations reservation notebook for restaurants and hotels 8 x 9 150 pages with tabs for time name and contact
amazon sg books