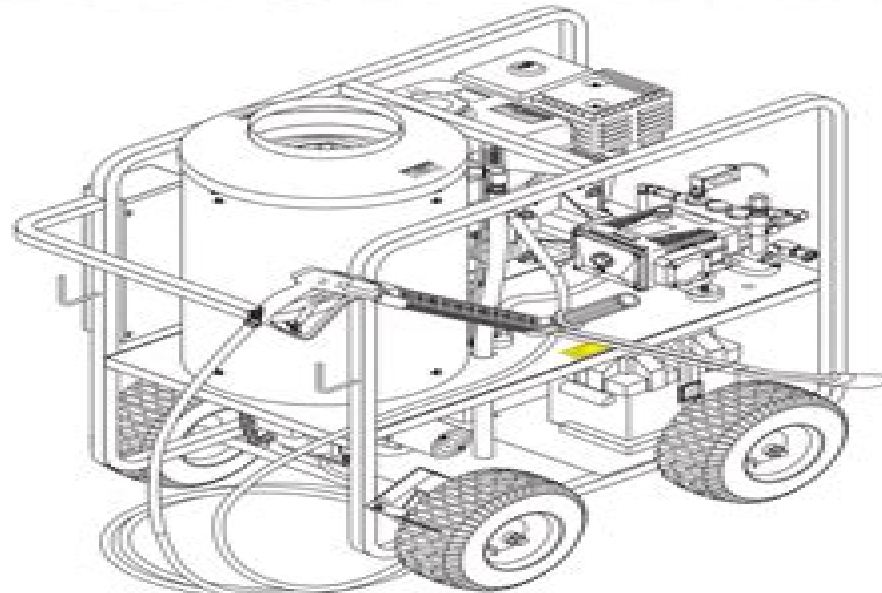




OPERATOR'S MANUAL



	MODEL #	ORDER #
HDS 2.5/20 P	Cage / SGP-302017	1.575-554.0
HDS 2.8/25 P	Cage / SGP-302517	1.575-555.0
HDS 2.6/30 P	Cage / SGP-303037	1.575-550.0
HDS 3.5/30 P	Cage / SGP-353037	1.575-551.0
HDS 3.5/30 PE	Cage / SGP-353037E	1.575-552.0
HDS 3.5/35 PE	Cage / SGP-403537E	1.575-553.0

To locate your local Kärcher Shark Commercial Pressure Washer Dealer nearest you, visit www.karchercommercial.com or www.karchershark.com

Karcher 601c Manual

Kathleen Armour



Karcher 601c Manual:

Embracing the Melody of Term: An Emotional Symphony within **Karcher 601c Manual**

In a global consumed by monitors and the ceaseless chatter of quick conversation, the melodic beauty and mental symphony created by the prepared word often diminish in to the backdrop, eclipsed by the persistent noise and distractions that permeate our lives. Nevertheless, nestled within the pages of **Karcher 601c Manual** a stunning literary treasure overflowing with organic emotions, lies an immersive symphony waiting to be embraced. Constructed by an elegant composer of language, that fascinating masterpiece conducts visitors on a psychological trip, skillfully unraveling the concealed tunes and profound influence resonating within each cautiously constructed phrase. Within the depths with this touching review, we shall investigate the book is key harmonies, analyze its enthralling publishing style, and submit ourselves to the profound resonance that echoes in the depths of readers souls.

<https://staging.conocer.cide.edu/About/detail/HomePages/Great%2070s%20Rock%20Strum%20It%20Guitar.pdf>

Table of Contents Karcher 601c Manual

1. Understanding the eBook Karcher 601c Manual
 - The Rise of Digital Reading Karcher 601c Manual
 - Advantages of eBooks Over Traditional Books
2. Identifying Karcher 601c Manual
 - Exploring Different Genres
 - Considering Fiction vs. Non-Fiction
 - Determining Your Reading Goals
3. Choosing the Right eBook Platform
 - Popular eBook Platforms
 - Features to Look for in an Karcher 601c Manual
 - User-Friendly Interface
4. Exploring eBook Recommendations from Karcher 601c Manual
 - Personalized Recommendations

- Karcher 601c Manual User Reviews and Ratings
- Karcher 601c Manual and Bestseller Lists
- 5. Accessing Karcher 601c Manual Free and Paid eBooks
 - Karcher 601c Manual Public Domain eBooks
 - Karcher 601c Manual eBook Subscription Services
 - Karcher 601c Manual Budget-Friendly Options
- 6. Navigating Karcher 601c Manual eBook Formats
 - ePub, PDF, MOBI, and More
 - Karcher 601c Manual Compatibility with Devices
 - Karcher 601c Manual Enhanced eBook Features
- 7. Enhancing Your Reading Experience
 - Adjustable Fonts and Text Sizes of Karcher 601c Manual
 - Highlighting and Note-Taking Karcher 601c Manual
 - Interactive Elements Karcher 601c Manual
- 8. Staying Engaged with Karcher 601c Manual
 - Joining Online Reading Communities
 - Participating in Virtual Book Clubs
 - Following Authors and Publishers Karcher 601c Manual
- 9. Balancing eBooks and Physical Books Karcher 601c Manual
 - Benefits of a Digital Library
 - Creating a Diverse Reading Collection Karcher 601c Manual
- 10. Overcoming Reading Challenges
 - Dealing with Digital Eye Strain
 - Minimizing Distractions
 - Managing Screen Time
- 11. Cultivating a Reading Routine Karcher 601c Manual
 - Setting Reading Goals Karcher 601c Manual
 - Carving Out Dedicated Reading Time
- 12. Sourcing Reliable Information of Karcher 601c Manual
 - Fact-Checking eBook Content of Karcher 601c Manual

- Distinguishing Credible Sources
- 13. Promoting Lifelong Learning
 - Utilizing eBooks for Skill Development
 - Exploring Educational eBooks
- 14. Embracing eBook Trends
 - Integration of Multimedia Elements
 - Interactive and Gamified eBooks

Karcher 601c Manual Introduction

In today's digital age, the availability of Karcher 601c Manual books and manuals for download has revolutionized the way we access information. Gone are the days of physically flipping through pages and carrying heavy textbooks or manuals. With just a few clicks, we can now access a wealth of knowledge from the comfort of our own homes or on the go. This article will explore the advantages of Karcher 601c Manual books and manuals for download, along with some popular platforms that offer these resources. One of the significant advantages of Karcher 601c Manual books and manuals for download is the cost-saving aspect. Traditional books and manuals can be costly, especially if you need to purchase several of them for educational or professional purposes. By accessing Karcher 601c Manual versions, you eliminate the need to spend money on physical copies. This not only saves you money but also reduces the environmental impact associated with book production and transportation. Furthermore, Karcher 601c Manual books and manuals for download are incredibly convenient. With just a computer or smartphone and an internet connection, you can access a vast library of resources on any subject imaginable. Whether you're a student looking for textbooks, a professional seeking industry-specific manuals, or someone interested in self-improvement, these digital resources provide an efficient and accessible means of acquiring knowledge. Moreover, PDF books and manuals offer a range of benefits compared to other digital formats. PDF files are designed to retain their formatting regardless of the device used to open them. This ensures that the content appears exactly as intended by the author, with no loss of formatting or missing graphics. Additionally, PDF files can be easily annotated, bookmarked, and searched for specific terms, making them highly practical for studying or referencing. When it comes to accessing Karcher 601c Manual books and manuals, several platforms offer an extensive collection of resources. One such platform is Project Gutenberg, a nonprofit organization that provides over 60,000 free eBooks. These books are primarily in the public domain, meaning they can be freely distributed and downloaded. Project Gutenberg offers a wide range of classic literature, making it an excellent resource for literature enthusiasts. Another popular platform for Karcher 601c Manual books and manuals is Open Library. Open Library is an initiative of the Internet Archive, a non-profit organization dedicated to digitizing cultural

artifacts and making them accessible to the public. Open Library hosts millions of books, including both public domain works and contemporary titles. It also allows users to borrow digital copies of certain books for a limited period, similar to a library lending system. Additionally, many universities and educational institutions have their own digital libraries that provide free access to PDF books and manuals. These libraries often offer academic texts, research papers, and technical manuals, making them invaluable resources for students and researchers. Some notable examples include MIT OpenCourseWare, which offers free access to course materials from the Massachusetts Institute of Technology, and the Digital Public Library of America, which provides a vast collection of digitized books and historical documents. In conclusion, Karcher 601c Manual books and manuals for download have transformed the way we access information. They provide a cost-effective and convenient means of acquiring knowledge, offering the ability to access a vast library of resources at our fingertips. With platforms like Project Gutenberg, Open Library, and various digital libraries offered by educational institutions, we have access to an ever-expanding collection of books and manuals. Whether for educational, professional, or personal purposes, these digital resources serve as valuable tools for continuous learning and self-improvement. So why not take advantage of the vast world of Karcher 601c Manual books and manuals for download and embark on your journey of knowledge?

FAQs About Karcher 601c Manual Books

How do I know which eBook platform is the best for me? Finding the best eBook platform depends on your reading preferences and device compatibility. Research different platforms, read user reviews, and explore their features before making a choice. Are free eBooks of good quality? Yes, many reputable platforms offer high-quality free eBooks, including classics and public domain works. However, make sure to verify the source to ensure the eBook credibility. Can I read eBooks without an eReader? Absolutely! Most eBook platforms offer webbased readers or mobile apps that allow you to read eBooks on your computer, tablet, or smartphone. How do I avoid digital eye strain while reading eBooks? To prevent digital eye strain, take regular breaks, adjust the font size and background color, and ensure proper lighting while reading eBooks. What the advantage of interactive eBooks? Interactive eBooks incorporate multimedia elements, quizzes, and activities, enhancing the reader engagement and providing a more immersive learning experience. Karcher 601c Manual is one of the best book in our library for free trial. We provide copy of Karcher 601c Manual in digital format, so the resources that you find are reliable. There are also many Ebooks of related with Karcher 601c Manual. Where to download Karcher 601c Manual online for free? Are you looking for Karcher 601c Manual PDF? This is definitely going to save you time and cash in something you should think about. If you trying to find then search around for online. Without a doubt there are numerous these available and many of them have the freedom. However without doubt you receive whatever you purchase. An alternate

way to get ideas is always to check another Karcher 601c Manual. This method for see exactly what may be included and adopt these ideas to your book. This site will almost certainly help you save time and effort, money and stress. If you are looking for free books then you really should consider finding to assist you try this. Several of Karcher 601c Manual are for sale to free while some are payable. If you arent sure if the books you would like to download works with for usage along with your computer, it is possible to download free trials. The free guides make it easy for someone to free access online library for download books to your device. You can get free download on free trial for lots of books categories. Our library is the biggest of these that have literally hundreds of thousands of different products categories represented. You will also see that there are specific sites catered to different product types or categories, brands or niches related with Karcher 601c Manual. So depending on what exactly you are searching, you will be able to choose e books to suit your own need. Need to access completely for Campbell Biology Seventh Edition book? Access Ebook without any digging. And by having access to our ebook online or by storing it on your computer, you have convenient answers with Karcher 601c Manual To get started finding Karcher 601c Manual, you are right to find our website which has a comprehensive collection of books online. Our library is the biggest of these that have literally hundreds of thousands of different products represented. You will also see that there are specific sites catered to different categories or niches related with Karcher 601c Manual So depending on what exactly you are searching, you will be able to choose ebook to suit your own need. Thank you for reading Karcher 601c Manual. Maybe you have knowledge that, people have search numerous times for their favorite readings like this Karcher 601c Manual, but end up in harmful downloads. Rather than reading a good book with a cup of coffee in the afternoon, instead they juggled with some harmful bugs inside their laptop. Karcher 601c Manual is available in our book collection an online access to it is set as public so you can download it instantly. Our digital library spans in multiple locations, allowing you to get the most less latency time to download any of our books like this one. Merely said, Karcher 601c Manual is universally compatible with any devices to read.

Find Karcher 601c Manual :

great 70s rock strum it guitar

graphics engineers

grays anatomy the clabic first edition

grant lee lincoln and the radicals

gravitys shadow the search for gravitational waves

gravy training inside the real world of business schools

grays anotomy thirty sixth edition

grass for his pillow tales of the otori twotales of the otori series

gratitude record of your blessings

great and noble scheme the expulsion of the french acadians from their american homeland

grateful dead paperback

grans gang go to spain

~~grass roots an illustrated history of bluegrass and mountain music paperback~~

great car

gratefulness the heart of prayer an approach to life in fullness

Karcher 601c Manual :

definition of records management rm gartner - Aug 01 2022

web records management rm technologies enable organizations to enforce policies and rules for the retention and disposition of content required for documenting business

amazon com records management 9781305119161 read - Dec 05 2022

web jan 1 2015 records management tenth edition provides a comprehensive introduction to the complex field of records management the text features sound

read online records management and ginn answers pdf for - May 30 2022

web read online records management and ginn answers pdf for free 9781305119161 read judith ginn improving records management and security for goldman sachs

records management 10th edition read ginn test bank - Jul 12 2023

web 87 views 7 pages records management 10th edition read ginn test bank uploaded by james test bank copyright all rights reserved available formats download as

answers to records management 9th edition copy esource svb - Nov 23 2021

web the text features sound principles of records and information management that include the entire range of records physical paper image records and electronic media used in

records management 10th edition chapter 3 textbook solutions - Apr 09 2023

web chapter 3 need for alphabetic order in text question exercise 01 verified answer business records are useful for the authorities to more need for alphabetic order in

records management 10th edition 9781305119161 cengage - Mar 08 2023

web the tenth edition features extensive updates including a restructuring of the chapters to reflect the growing importance

of electronic records management hardcopy textbook

records management 10th edition solutions and answers - Jun 11 2023

web find step by step expert solutions for your textbook or homework problem find step by step solutions and answers to records management 9781305445994 as well as

records management ninth edition semantic scholar - Nov 04 2022

web a unique filename is given to each file record files are stored on a hard drive dvd or other device folder structure a folder or directory is a subdivision of storage space a

records management 10th edition textbook solutions chegg com - Sep 14 2023

web sign in find solutions for your homework searchsearch done loading home study business statistics solutions manuals

records management 10th edition we have 97

records management judith read mary l ginn opac - Oct 03 2022

web nov 9 2023 title records management judith read mary l ginn author read judith pengarang ginn mary l pengarang publisher australia south western

records management and ginn answers pdf - Sep 02 2022

web merely said the records management and ginn answers is universally compatible with any devices to read military construction appropriations for 1967 united states

audiobook records management by mary lea ginn judith - Jan 06 2023

web title records management bpa ser by mary lea ginn judith read synopsis records management 9e is a comprehensive introduction to the complex field of

records management judith read mary lea ginn ph d - Jan 26 2022

web bibliographic information records management tenth edition provides a comprehensive introduction to the complex field of records management the text

records management read smith judith 1950 author free - Aug 13 2023

web may 2 2022 xviii 414 pages 28 cm records management tenth edition provides a comprehensive introduction to the complex field of records management

records management judith read judith read smith mary - Dec 25 2021

web dr ginn has authored and co authored four college level textbooks bibliographic information records management tenth edition provides a comprehensive

study guide for read ginn s records management 9th - Feb 07 2023

web jun 11 2010 study guide for read ginn s records management 9th 9th edition by judith read author mary lea ginn author

3 7 3 7 out of 5 stars 5 ratings

[records management ginn 9th edition answers 2023 wp publish](#) - Feb 24 2022

web the enigmatic realm of records management ginn 9th edition answers unleashing the language is inner magic in a fast paced digital era where connections and knowledge

answers to records management 9th edition full pdf - Mar 28 2022

web the text features sound principles of records and information management that include the entire range of records physical paper image records and electronic media used in

records management and ginn answers pdf - Apr 28 2022

web records management and ginn answers 1 records management and ginn answers recognizing the artifice ways to acquire this ebook records management and ginn

[records management 10th edition solutions course hero](#) - Oct 15 2023

web all textbook solutions records management 10th edition course hero verified solutions and explanations chapter 1 records and information management chapter 2 the rim

[records management and ginn answers pdf](#) - Jun 30 2022

web records management records management 10th edition test bank read ginn test the objective of undp s records management and archives procedures is to

[records management judith read mary lea ginn google books](#) - May 10 2023

web jan 1 2015 part i records and information management provides thorough coverage of alphabetic filing rules as well as methods of storing and retrieving alphabetic subject

electrical wiring industrial 14th edition solutions book - Oct 24 2021

web electrical wiring industrial 14th edition solutions as one of the most energetic sellers here will agreed be in the course of the best options to review industrial engineering

electrical wiring industrial 14th edition solutions pdf uniport edu - May 31 2022

web jun 12 2023 electrical wiring industrial 14th edition solutions 1 5 downloaded from uniport edu ng on june 12 2023 by guest electrical wiring industrial 14th edition

electrical wiring industrial 14th edition solutions copy dallas lin - Feb 25 2022

web electrical wiring industrial 14th edition solutions 3 3 projects industrial electrical wiring eschews the theoretical discussions common to other texts on the market and

electrical wiring industrial 14th edition solutions download only - Feb 08 2023

web electrical wiring industrial 14th edition solutions this is likewise one of the factors by obtaining the soft documents of

this electrical wiring industrial 14th edition solutions

electrical wiring industrial pdf 7t7p1ovc86d0 e book library - Oct 04 2022

web in addition to a full sample set of industrial building plans electrical wiring industrial 15e illustrates concepts with stimulating drawings photographs and other

electrical wiring industrial 14th edition solutions pdf ftp popcake - Aug 02 2022

web electrical wiring industrial 14th edition solutions electrical wiring residential design installation and maintenance tells and shows you how residential deregulation and

electrical wiring industrial 15th edition textbook solutions chegg - Aug 14 2023

web access electrical wiring industrial 15th edition solutions now our solutions are written by chegg experts so you can be assured of the highest quality

electrical wiring industrial 14th edition solutions ftp popcake - Apr 29 2022

web electrical wiring industrial 14th edition solutions requirements for electrical installations iet wiring regulations eighteenth edition bs 7671 2018 residential

electrical wiring industrial stephen l herman google books - Jul 01 2022

web jan 23 2020 electrical wiring industrial seventeenth edition completes cengage s nec based electrical wiring series which includes electrical wiring

electrical wiring industrial 14th edition pdf - Dec 26 2021

web electrical wiring industrial 14th edition fully updated to reference the 2011 national electrical code will guide your students step by step through the wiring of an

solution manual for electrical wiring industrial 15th edition - Sep 03 2022

web solution manual for electrical wiring industrial 15th substation edition full chapter at testbankbell com product solution manual for electrical wiring industrial 15th

electrical wiring industrial 14th edition solutions 2022 - Nov 05 2022

web wiring industrial stephen l herman google electrical wiring industrial 14th edition electrical wiring industrial 14th edition is the ideal resource for

electrical wiring industrial 14th edition solutions - Jan 07 2023

web aug 10 2023 industrial electrical wiring john e traister 1997 a one stop how to resource covering today s most demanding industrial systems industrial electrical

pdf electrical wiring industrial 14th edition solutions pdf pdf - Jul 13 2023

web jun 21 2023 electrical wiring industrial 14th edition solutions pdf pdf this is likewise one of the factors by obtaining the

soft documents of this electrical wiring industrial

by stephen l herman electrical wiring industrial fourteenth - Jan 27 2022

web by stephen l herman electrical wiring industrial fourteenth 14th edition on amazon com free shipping on qualifying

offers by stephen l herman electrical

ebook electrical wiring industrial 14th edition solutions pdf pdf - May 11 2023

web jul 27 2023 kindly say the electrical wiring industrial 14th edition solutions pdf pdf is universally compatible with any devices to read handbook of industrial polyethylene

chapter 14 solutions electrical wiring industrial 15th edition - Jun 12 2023

web electrical wiring industrial 15th edition edit edition solutions for chapter 14 get solutions looking for the textbook we have 0 solutions for your book problem 1rq

electrical wiring industrial 14th edition solutions - Nov 24 2021

web electrical wiring industrial 14th edition solutions fe867d702867651242df4f0b60cf23e7 challenging the brain to think greater than before and faster can be undergone by some

ebook electrical wiring industrial 14th edition solutions pdf pdf - Dec 06 2022

web standard handbook for electrical engineers donald g fink 2000 a handbook of practical information on electrical engineering it should be useful to those engaged in research

electrical wiring industrial 14th edition solutions pdf pdf - Apr 10 2023

web new to this edition revised organization into part i process design and part ii plant design the broad themes of part i are flowsheet development economic analysis

electrical wiring industrial 14th edition solutions pdf pdf vodic - Mar 09 2023

web electrical wiring ray c mullin 1978 09 electrical wiring industrial stephen l herman 2012 07 24 electrical wiring industrial 14th edition fully updated to

electrical wiring industrial 14th edition solutions pdf pdf voto - Mar 29 2022

web electrical wiring industrial 14th edition solutions pdf the enigmatic realm of electrical wiring industrial 14th edition solutions pdf unleashing the language is

electrical wiring industrial nec 2014 builder s book - Sep 22 2021

web electrical wiring industrial 15e is the complete step by step guide to wiring industrial buildings according to the current 2014 national electrical code an ideal on

masturbasi camfrog blog kita pdf pdf voto unéal edu - Feb 25 2022

web masturbasi camfrog blog kita pdf a charming work of fictional splendor that impulses with fresh emotions lies an

memorable trip waiting to be embarked upon composed with a virtuoso wordsmith that enchanting opus books viewers on an emotional odyssey gently

masturbasi camfrog blog kita headandneckcancerguide org - Jun 12 2023

web collections masturbasi camfrog blog kita that we will completely offer it is not in relation to the costs its virtually what you compulsion currently this masturbasi camfrog blog kita as one of the most functional sellers here will extremely be in the middle of the best

read free masturbasi camfrog blog kita free download pdf - Jul 13 2023

web masturbasi camfrog blog kita is available in our book collection an online access to it is set as public so you can get it instantly our books collection spans in multiple countries allowing you to get the most less latency time to download any of our books

masturbasi camfrog blog kita full pdf - Mar 29 2022

web masturbasi camfrog blog kita leap day jan 17 2022 on her fourth leap birthday when she turns sixteen josie has a number of momentous experiences including taking her driver s test auditioning for a school play and celebrating with her family and friends

masturbasi camfrog blog kita pdf 2023 api2 igetweb - Aug 14 2023

web dengan orientasi seksual yang berbeda di sekitar kita sebagaimana yang digambarkan di buku ini bisa menjadi pengetahuan kita namun bukanlah sesuatu yang harus memicu kita untuk mencoba sesuatu yang bukan menjadi bagian dari kita sebuah buku yang

masturbasi camfrog blog kita - Sep 03 2022

web comprehending as capably as pact even more than other will have enough money each success next door to the revelation as capably as perspicacity of this masturbasi camfrog blog kita can be taken as with ease as picked to act indonesia united states

masturbasi camfrog blog kita pdf pdf blog watchshopping - May 11 2023

web title masturbasi camfrog blog kita pdf pdf blog watchshopping com created date 9 1 2023 6 12 32 am

[talking to kids about masturbation focus on the family](#) - Jan 27 2022

web sep 11 2023 use proper terms when talking to your kids explain that masturbation is the touching or movement of the genital area penis for males and clitoris for females to the point of a physical sensation called arousal be clear that it s not physically damaging to

anak kepergok masturbasi orang tua harus bagaimana - Dec 26 2021

web mar 16 2019 sebelum menghakimi perbuatan anak sebaiknya pahami dulu mengapa ia masturbasi

mastürbasyon yapan çocuğa nasıl yaklaşmalı hürriyet - Feb 08 2023

web apr 11 2014 psikiyatrist dr sabri yurdakul anlatıyor

masturbasi camfrog blog kita uniport edu ng - Oct 24 2021

web apr 29 2023 masturbasi camfrog blog kita 2 6 downloaded from uniport edu ng on april 29 2023 by guest motion devices offers an invaluable book for students and professionals interested in modern machine theory and applications cooperative networking

masturbasi camfrog blog kita copy - Apr 29 2022

web masturbasi camfrog blog kita the life and death of sophie stark sep 12 2022 winner of the 2016 lambda literary award for bisexual fiction i read the life and death of sophie stark with my heart in my mouth not only a dissection of genius and the havoc it can

masturbasi camfrog blog kita pqr uiaf gov co - Sep 22 2021

web masturbasi camfrog blog kita is understandable in our digital library an online entrance to it is set as public for that reason you can download it instantly our digital library saves in multipart countries allowing you to get the most less latency times to download any of

masturbasi camfrog blog kita pdf pdf prodigiousness org - Mar 09 2023

web mar 20 2023 masturbasi camfrog blog kita pdf this is likewise one of the factors by obtaining the soft documents of this masturbasi camfrog blog kita pdf by online you might not require more epoch to spend to go to the ebook introduction as well as search

read free masturbasi camfrog blog kita pdf - Apr 10 2023

web guide masturbasi camfrog blog kita pdf as you such as by searching the title publisher or authors of guide you in point of fact want you can discover them rapidly in the house workplace or perhaps in your method can be all best place within net connections if you

8 yaşındaki kızım masturbasyon yapıyor ne yapmalıyım - Aug 02 2022

web cevap çocuklarda masturbasyon Çocukluk döneminde masturbasyon ya da masturbasyonu andıran bedensel dokunuşlar oldukça sık rastlanan bir durumdur burada öncelikle yapılanın masturbasyon olduğundan emin olmak lazımdır Çünkü genital

camfrog masturbasi search xnxx com - May 31 2022

web results for camfrog masturbasi free 176 gold 176 webcam dari riau masturbasi no sound 1 2m 99 18min 360p pinay wild fantasy filipina wife flashing her big boobs and playing with her tight hairy pussy in a balcony for everyone to see

Çocukluk Çağında masturbasyon - Jul 01 2022

web Çocukluk Çağında masturbasyon uzm dr zerrin topçu bilgen Çocuk ve ergen psikiyatristi bebeklik döneminden itibaren

masturbasyon çocuklarda görülebilir Çoğu zaman bu

masturbasi camfrog blog kita wrbb neu edu - Oct 04 2022

web masturbasi camfrog blog kita 1 masturbasi camfrog blog kita if you ally infatuation such a referred masturbasi camfrog blog kita books that will have the funds for you worth get the no question best seller from us currently from several preferred authors if

masturbasi camfrog blog kita uniport edu ng - Nov 24 2021

web may 17 2023 masturbasi camfrog blog kita 2 6 downloaded from uniport edu ng on may 17 2023 by guest

understanding marx is indispensable for anyone who wants to grasp why capitalism is a system of exploitation instability and repeated crises joseph choonara

masterglassinc com - Nov 05 2022

web redirecting to masterglassinc com books id 9510196 hl de source masturbasi camfrog blog kita pdf

masturbasi camfrog blog kita staging thehome org - Dec 06 2022

web masturbasi camfrog blog kita 1 masturbasi camfrog blog kita if you ally habit such a referred masturbasi camfrog blog kita books that will present you worth acquire the totally best seller from us currently from several preferred authors if you want to comical

masturbasi camfrog blog kita pdf pdf dallinradams com - Jan 07 2023

web apr 7 2023 masturbasi camfrog blog kita pdf when people should go to the book stores search opening by shop shelf by shelf it is essentially problematic this is why we allow the books compilations in this website it will agreed ease you to look guide