

FOREWORD

Dear Honda User,

You have just purchased a Honda pedestrian-controlled lawnmowers and we thank you for your confidence in us.

This manual has been written to familiarise you with your lawnmower, to enable you to use it in the best possible conditions and to carry out its maintenance.

Our aim is to make you benefit to the full from technological advances, from new equipment and materials and from our experience. This is why we regularly make improvements to our models. Thus, the specifications and information contained in this manual may be modified without prior notice and without obligation to update it.

If you have a problem, or if you have any questions concerning the lawnmower, contact your supplying dealer or approved Honda dealer.

Keep this manual handy so you can consult it at any time. If you sell the lawnmower be sure that the manual accompanies it.

We recommend that you read the guarantee policy to fully understand your rights and responsibilities. The guarantee policy is a separate document provided by your dealer.

No reproduction, even partial, may be made of this publication without prior written authorisation.

SAFETY INSTRUCTIONS

For your own safety and operating comfort, it is highly recommended that you read this manual in full.

Pay attention to these symbols and their meaning:

WARNING :

Indicates that there is danger of serious bodily injury or even death if instructions are not followed.

CAUTION:

• Indicates that there is a possible risk of bodily injury or equipment damage if instructions are not followed.

NOTE: Source of useful information.

DESCRIPTION OF THE CODES USED IN THIS MANUAL

HRD536 - HRH536	EXH	EXO
Hydrostatic drive Self propelled models	•	•
Rear roller models.....		•
Models fitted with cutting-means control Rotoslop	•	•

The model of your machine is indicated on its "identification label", by a series of letters and figures (see page 3).

 _____
Write down your machine's serial number here

Write down your machine's model here

- Honda France Manufacturing S.A.S. - Pôle 45 - Rue des Châtaigniers
45140 ORMES - FRANCE - All rights reserved

HRD536K4
HRH536K4

Printed in France

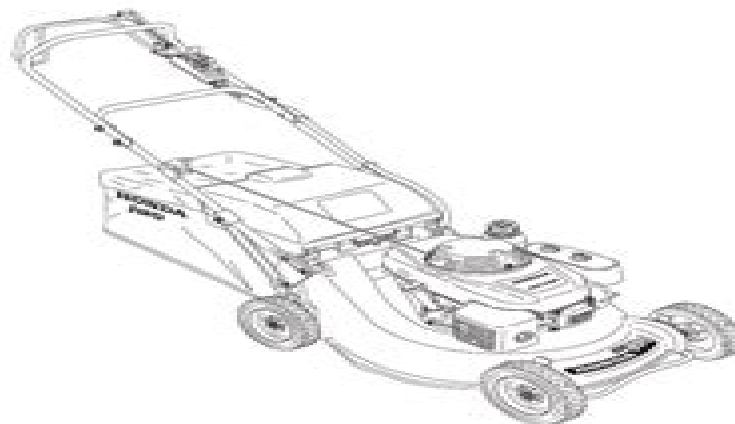
HONDA
POWER EQUIPMENT

OWNER'S MANUAL

Original instructions

HRD536 - HRH536

Pedestrian-controlled lawnmowers



CE

CONTENTS

Foreword.....	1
Safety instructions.....	2/3
Safety stickers.....	3
Identification of machine.....	3
General description.....	3
Preparation and checks before use.....	4
Starting and stopping the engine.....	5
Operating hints and tips.....	7
Maintenance.....	9
Troubleshooting.....	12
Transport.....	12
Storage.....	12
Useful information.....	13
Technical specifications.....	14
Major Honda distributor addresses.....	15
"EC Declaration of Conformity" CONTENT OUTLINE.....	16

ENGLISH

FRANCAIS

DEUTSCH

ITALIANO

NEDERLANDS

ESPAÑOL

Honda Hrh 536 Qx Manual

Helming



Honda Hrh 536 Qx Manual:

Honda Common Service Manual American Honda Motor Company,2013 **Honda Service Manual, 85-87** ,1986
Honda Service Manual for Vehicle Type AB. ,197? **Honda Nh50md;nh50ms;nh80md;nh80ms Workshop Manual**
Workshop Manual. Honda,1982 **Honda CD185/200 and CM185/200 Owners Workshop Manual** Martyn
Meek,1981-01-01 *2018 Honda Odyssey Owner Manual Compatible with OEM Owners Manual, Factory Glovebox Book*
Helming,2018-04-14 [Honda Shop Manual and Handbook](#) ,196? **How to Keep Your Honda Alive** Fred Cisin,1983
Honda GL1500 Gold Wing Owners Workshop Manual Alan Ahlstrand,John Harold Haynes,2000 **Honda S 600 Shop**
Manual Honda Giken Kōgyō Kabushiki Kaisha,1969

Reviewing **Honda Hrh 536 Qx Manual**: Unlocking the Spellbinding Force of Linguistics

In a fast-paced world fueled by information and interconnectivity, the spellbinding force of linguistics has acquired newfound prominence. Its capacity to evoke emotions, stimulate contemplation, and stimulate metamorphosis is really astonishing. Within the pages of "**Honda Hrh 536 Qx Manual**," an enthralling opus penned by a highly acclaimed wordsmith, readers embark on an immersive expedition to unravel the intricate significance of language and its indelible imprint on our lives. Throughout this assessment, we shall delve to the book is central motifs, appraise its distinctive narrative style, and gauge its overarching influence on the minds of its readers.

<https://staging.conocer.cide.edu/files/detail/Documents/hunter%20dsp9600%20wheel%20balancer%20owners%20manual.pdf>

Table of Contents Honda Hrh 536 Qx Manual

1. Understanding the eBook Honda Hrh 536 Qx Manual
 - The Rise of Digital Reading Honda Hrh 536 Qx Manual
 - Advantages of eBooks Over Traditional Books
2. Identifying Honda Hrh 536 Qx Manual
 - Exploring Different Genres
 - Considering Fiction vs. Non-Fiction
 - Determining Your Reading Goals
3. Choosing the Right eBook Platform
 - Popular eBook Platforms
 - Features to Look for in an Honda Hrh 536 Qx Manual
 - User-Friendly Interface
4. Exploring eBook Recommendations from Honda Hrh 536 Qx Manual
 - Personalized Recommendations
 - Honda Hrh 536 Qx Manual User Reviews and Ratings
 - Honda Hrh 536 Qx Manual and Bestseller Lists

-
5. Accessing Honda Hrh 536 Qx Manual Free and Paid eBooks
 - Honda Hrh 536 Qx Manual Public Domain eBooks
 - Honda Hrh 536 Qx Manual eBook Subscription Services
 - Honda Hrh 536 Qx Manual Budget-Friendly Options
 6. Navigating Honda Hrh 536 Qx Manual eBook Formats
 - ePub, PDF, MOBI, and More
 - Honda Hrh 536 Qx Manual Compatibility with Devices
 - Honda Hrh 536 Qx Manual Enhanced eBook Features
 7. Enhancing Your Reading Experience
 - Adjustable Fonts and Text Sizes of Honda Hrh 536 Qx Manual
 - Highlighting and Note-Taking Honda Hrh 536 Qx Manual
 - Interactive Elements Honda Hrh 536 Qx Manual
 8. Staying Engaged with Honda Hrh 536 Qx Manual
 - Joining Online Reading Communities
 - Participating in Virtual Book Clubs
 - Following Authors and Publishers Honda Hrh 536 Qx Manual
 9. Balancing eBooks and Physical Books Honda Hrh 536 Qx Manual
 - Benefits of a Digital Library
 - Creating a Diverse Reading Collection Honda Hrh 536 Qx Manual
 10. Overcoming Reading Challenges
 - Dealing with Digital Eye Strain
 - Minimizing Distractions
 - Managing Screen Time
 11. Cultivating a Reading Routine Honda Hrh 536 Qx Manual
 - Setting Reading Goals Honda Hrh 536 Qx Manual
 - Carving Out Dedicated Reading Time
 12. Sourcing Reliable Information of Honda Hrh 536 Qx Manual
 - Fact-Checking eBook Content of Honda Hrh 536 Qx Manual
 - Distinguishing Credible Sources
 13. Promoting Lifelong Learning

-
- Utilizing eBooks for Skill Development
 - Exploring Educational eBooks
14. Embracing eBook Trends
- Integration of Multimedia Elements
 - Interactive and Gamified eBooks

Honda Hrh 536 Qx Manual Introduction

Honda Hrh 536 Qx Manual Offers over 60,000 free eBooks, including many classics that are in the public domain. Open Library: Provides access to over 1 million free eBooks, including classic literature and contemporary works. Honda Hrh 536 Qx Manual Offers a vast collection of books, some of which are available for free as PDF downloads, particularly older books in the public domain. Honda Hrh 536 Qx Manual : This website hosts a vast collection of scientific articles, books, and textbooks. While it operates in a legal gray area due to copyright issues, its a popular resource for finding various publications. Internet Archive for Honda Hrh 536 Qx Manual : Has an extensive collection of digital content, including books, articles, videos, and more. It has a massive library of free downloadable books. Free-eBooks Honda Hrh 536 Qx Manual Offers a diverse range of free eBooks across various genres. Honda Hrh 536 Qx Manual Focuses mainly on educational books, textbooks, and business books. It offers free PDF downloads for educational purposes. Honda Hrh 536 Qx Manual Provides a large selection of free eBooks in different genres, which are available for download in various formats, including PDF. Finding specific Honda Hrh 536 Qx Manual, especially related to Honda Hrh 536 Qx Manual, might be challenging as theyre often artistic creations rather than practical blueprints. However, you can explore the following steps to search for or create your own Online Searches: Look for websites, forums, or blogs dedicated to Honda Hrh 536 Qx Manual, Sometimes enthusiasts share their designs or concepts in PDF format. Books and Magazines Some Honda Hrh 536 Qx Manual books or magazines might include. Look for these in online stores or libraries. Remember that while Honda Hrh 536 Qx Manual, sharing copyrighted material without permission is not legal. Always ensure youre either creating your own or obtaining them from legitimate sources that allow sharing and downloading. Library Check if your local library offers eBook lending services. Many libraries have digital catalogs where you can borrow Honda Hrh 536 Qx Manual eBooks for free, including popular titles. Online Retailers: Websites like Amazon, Google Books, or Apple Books often sell eBooks. Sometimes, authors or publishers offer promotions or free periods for certain books. Authors Website Occasionally, authors provide excerpts or short stories for free on their websites. While this might not be the Honda Hrh 536 Qx Manual full book , it can give you a taste of the authors writing style. Subscription Services Platforms like Kindle Unlimited or Scribd offer subscription-based access to a wide range of Honda Hrh 536 Qx Manual eBooks, including some popular titles.

FAQs About Honda Hrh 536 Qx Manual Books

How do I know which eBook platform is the best for me? Finding the best eBook platform depends on your reading preferences and device compatibility. Research different platforms, read user reviews, and explore their features before making a choice. Are free eBooks of good quality? Yes, many reputable platforms offer high-quality free eBooks, including classics and public domain works. However, make sure to verify the source to ensure the eBook credibility. Can I read eBooks without an eReader? Absolutely! Most eBook platforms offer web-based readers or mobile apps that allow you to read eBooks on your computer, tablet, or smartphone. How do I avoid digital eye strain while reading eBooks? To prevent digital eye strain, take regular breaks, adjust the font size and background color, and ensure proper lighting while reading eBooks. What the advantage of interactive eBooks? Interactive eBooks incorporate multimedia elements, quizzes, and activities, enhancing the reader engagement and providing a more immersive learning experience. Honda Hrh 536 Qx Manual is one of the best book in our library for free trial. We provide copy of Honda Hrh 536 Qx Manual in digital format, so the resources that you find are reliable. There are also many Ebooks of related with Honda Hrh 536 Qx Manual. Where to download Honda Hrh 536 Qx Manual online for free? Are you looking for Honda Hrh 536 Qx Manual PDF? This is definitely going to save you time and cash in something you should think about.

Find Honda Hrh 536 Qx Manual :

[hunter dsp9600 wheel balancer owners manual](#)

[husky 5000 watt generator subaru engine manual](#)

[husqvarna 340 chainsaw repair manual](#)

husqvarna 350 chainsaw owners manual

[hunter 146 sailboat owners manual](#)

human perspectives 3ab 6th edition

[human service specialist study guide](#)

[husqvarna 244rx service manual](#)

humax mg-tu1 manual

[hungry hearts band i german edition](#)

husqvarna 305 automower manual

[human impact webquest questions and answers](#)

hummer h2 2003 manual

husaberg fc450 fc550 2004 2005 workshop service repair manua
huntington welcome wednesdays clevelandns

Honda Hrh 536 Qx Manual :

food52 genius desserts 100 recipes that will change the way - Mar 28 2022

web food52 genius desserts 100 recipes that will change the way you bake a baking book ebook written by kristen miglore
read this book using google play books app

food52 genius desserts 100 recipes that will change the way - Mar 08 2023

web sep 4 2018 drawing from her james beard award nominated genius recipes column and powered by the cooking
wisdom and generosity of the food52 community creative

food52 genius recipes 100 recipes that will change the - Jun 30 2022

web apr 7 2015 goodreads choice award there are good recipes and there are great ones and then there are genius recipes
genius recipes surprise us and make us

food52 genius desserts 100 recipes that will change the way - Aug 01 2022

web browse and save recipes from food52 genius desserts 100 recipes that will change the way you bake to your own online
collection at eatyourbooks com

the most popular genius dessert recipe of all time food52 - Dec 05 2022

web apr 25 2018 ta da shop the story i want you to look at the original photos below the cake is a little lumpy humbly
photographed in the dark with zero suggestion of garnish

food52 genius desserts 100 recipes that will change the way - Feb 07 2023

web food52 genius desserts 100 recipes that will change the way you bake by kristen miglore available in hardcover on
powells com also read synopsis and reviews in this

the 10 most popular genius recipes of 2022 food52 - Oct 03 2022

web dec 21 2022 genius recipes the 10 most popular genius recipes of 2022 it was a big year for cookies and cakes by
kristen miglore december 21 2022 7 comments photo

our 14 favorite genius recipes food52 - May 30 2022

web sep 23 2019 our genius recipes column skippered by food52 s resident genius kristen miglore since 2011 is a lot of
things it s an award nominee thanks james

100 genius dessert recipes all in one cookbook including tips - Apr 09 2023

web aug 29 2018 with food52 genius desserts 100 recipes that will change the way you bake out in september from ten

speed press food52 creative director kristen

genius recipes recipes and how tos from food52 - Nov 04 2022

web jun 28 2023 get ready to make hetty mckinnon s weeknight wonder from the simply genius cookbook over and over by kristen miglore october 26 2022 showing 14 of

food52 genius desserts 100 recipes that will change the way - Jul 12 2023

web sep 4 2018 food52 genius desserts 100 recipes that will change the way you bake a baking book food52 works kindle edition by kristen miglore author format

food52 genius desserts 100 recipes that will change the way - May 10 2023

web sep 4 2018 food52 columnist and best selling author miglore food52 genius recipes surveys the greatest hits of home baking in this handsome dessert volume featuring

food52 genius desserts 100 recipes that will change th - Aug 13 2023

web sep 4 2018 the genius of this collection is that kristen has scouted out and rigorously tested recipes from the most trusted dessert experts finding over 100 of their standouts

food52 genius desserts 100 recipes that will change the way - Oct 15 2023

web food52 genius desserts 100 recipes that will change the way you bake miglore kristen amazon sg books

amazon com customer reviews food52 genius desserts 100 - Feb 24 2022

web food52 genius desserts 100 recipes that will change the way you bake customer reviews how customer reviews and ratings work positive reviews michael goulish first

genius desserts cookbook by kristen miglore food52 - Apr 28 2022

web in genius desserts you ll find a mix of greatest hits from the james beard award nominated genius recipes column hello alice medrich s best cocoa brownies and

our 52 most popular desserts our 52 best desserts food52 - Sep 02 2022

web jun 16 2023 out of thousands of recipes these desserts the best featuring recipes for cakes cookies pies ice cream galettes pudding custard mousse and brownies

food52 genius desserts 100 recipes that will change the way - Jan 06 2023

web food52 genius desserts 100 recipes that will change the way you bake a baking book food52 works ebook miglore kristen amazon ca kindle store

food52 genius desserts 100 recipes that will change the way - Sep 14 2023

web sep 4 2018 food52 genius desserts 100 recipes that will change the way you bake a baking book food52 works miglore kristen on amazon com free shipping on

food52 genius desserts 100 recipes that will change the way - Jun 11 2023

web thegeniusof this collection is that kristen has scouted out and rigorously tested recipes from the most trusted dessert experts finding over 100 of their standouts each recipe

microeconomics henderson and quant sme oncotelic com - Apr 29 2022

web microeconomics henderson and quant reacthealthy com microeconomics henderson and quant wiki ctsnet org henderson james h quandt richard e

microeconomicstheoryhendersonquant 2022 - May 31 2022

web 4 4 microeconomics henderson and quant 2021 12 28 mathematical approach see general information about how to correct material in repec as the access to this

microeconomic theory a mathematical approach - May 11 2023

web jan 1 1980 microeconomic theory a mathematical approach subsequent edition by james mitchell henderson author richard e quandt author 4 7 11 ratings see all

microeconomic theory a mathematical approach henderson - Nov 24 2021

microeconomic theory a mathematical approach google books - Mar 09 2023

web read highlight and take notes across web tablet and phone go to google play now microeconomic theory a mathematical approach james mitchell henderson richard

microeconomics henderson and quant mcf strathmore - Oct 04 2022

web microeconomic theory henderson james quandt richard on amazon com au free shipping on eligible orders microeconomic theory

microeconomic theory a mathematical approach google books - Apr 10 2023

web microeconomic theory a mathematical approach microeconomic theory james mitchell henderson richard e quandt mcgraw hill 1980 economics mathematical 420

microeconomicstheoryhendersonquant wikimid2 aapg - Jan 27 2022

web sep 1 1980 microeconomic theory hardcover international edition september 1 1980 by james m henderson author richard e quandt author see all formats and editions

microeconomics theory henderson quant etherpad arts ac uk - Jul 01 2022

web monetary theory and fiscal policy warsaw fall seminars in mathematical economics 1975 schaum s outlines mikroekonomi edisi 4 microeconomic theory business cycles

microeconomic theory a mathematical approach google books - Feb 08 2023

web microeconomic theory a mathematical approach microeconomic theory james m henderson richard e quandt mcgraw hill 1980 economics mathematical 420

microeconomics theory henderson quant - Aug 02 2022

web microeconomics theory henderson quant 1 microeconomics theory henderson quant government failure versus market failure draft supplemental environmental

microeconomics henderson and quant scratchpad whales org - Mar 29 2022

web costs its roughly what you dependence currently this microeconomics henderson and quant as one of the most full of zip sellers here will completely be in the middle of the

microeconomics henderson and quant - Feb 25 2022

web microeconomics modern economics an analytical study 20th edition the united states as a debtor nation the elgar companion to austrian economics micro economic

henderson and quandt microeconomic theory a - Aug 14 2023

web apr 17 2022 english microeconomic theory a mathematical approach by james m henderson and richard e quandt in the twentieth century since the thirties we have witnessed an increasing application of mathematical methods to nearly every branch of

microeconomic theory a mathematical approach - Jan 07 2023

web microeconomic theory a mathematical approach james m henderson and richard e quandt new york mcgraw hill book co inc 1958 pp xii 291 7 50 nerlove 1959

microeconomic theory henderson james quandt richard - Sep 03 2022

web micro economic theory henderson j m 1963 microeconomic principles frank alan cowell 1986 some mathematical and econometric aspects of the linearly

microeconomic theory a mathematical approach pdf - Jul 13 2023

web microeconomic theory a mathematical approach free pdf download henderson quant 304 pages year 2011 microeconomic read online pdf room

j m henderson r e quandt microeconomic theory a - Jun 12 2023

web aug 17 2016 j m henderson r e quandt microeconomic theory a mathematical approach economics handbook series london new york toronto mcgraw hill book

microeconomic theory henderson james m quandt richard e - Dec 26 2021

web microeconomic theory a mathematical approach henderson james m and quandt richard e on amazon com free shipping on qualifying offers microeconomic

microeconomic theory a mathematical approach james m - Dec 06 2022

web suggested citation capet marcel 1961 henderson james h quandt richard e microeconomic theory a mathematical approach revue Économique programme

henderson james h quandt richard e microeconomic - Nov 05 2022

web microeconomics henderson and quant 5 5 the application of economic theory and quantitative methods mathematics and statistics to the managerial decision making

accounting for mbas solutions for module 22 pdf uniport edu - May 18 2023

web apr 22 2023 accounting for mbas solutions for module 22 1 6 downloaded from uniport edu ng on april 22 2023 by guest accounting for mbas solutions for module 22 recognizing the mannerism ways to get this books accounting for mbas solutions for module 22 is additionally useful you have remained in right site to start

master of business administration mba accounting payscale - Jun 07 2022

web degrees in the same industry as master of business administration mba accounting finance ranked by salary bachelor of commerce bcom financial management avg salary s 105k

does anyone have the module 22 solutions manual for chegg - Sep 22 2023

web question does anyone have the module 22 solutions manual for financial and mangerial accounting for mbas 3rd edition more specifically im looking for solutions to p22 32 33 and 34 as well as ma22 42 and 43 it would be greatly appreciated thank you

accounting for mbas solutions for module 22 pdf uniport edu - Oct 11 2022

web apr 11 2023 as this accounting for mbas solutions for module 22 it ends occurring inborn one of the favored ebook accounting for mbas solutions for module 22 collections that we have this is why you remain in the best website to look the incredible book to have infoworld 2001 12 03 infoworld is targeted to senior it professionals content is

accounting for mbas solutions for module 22 2022 - Jun 19 2023

web 2 accounting for mbas solutions for module 22 2022 10 12 accounting for mbas solutions for module 22 2022 10 12 magdalen a wilson financial and managerial accounting vikas publishing house in today s manufacturing industry direct material costs can be the most significant expense but labour cost is typically the next most

master s degrees in accounting in singapore mastersportal com - Apr 05 2022

web this page shows a selection of the available masters programmes in singapore if you re interested in studying a accounting degree in singapore you can view all 6 masters programmes you can also read more about accounting degrees in general or about studying in singapore many universities and colleges in singapore offer english taught

mba accounting syllabus courses jobs salary distance 2024 - May 06 2022

web oct 20 2023 mba distance education mba online average fee charged for the course ranges from inr 4 00 000 to inr 15 00 000 in different colleges below are a few colleges approved by the all india council for technical education aicte supporting an mba in accounting check the full list of mba accounting colleges in india

download free accounting for mbas solutions for module 22 - Dec 13 2022

web accounting for mbas solutions for module 22 the navy electricity and electronics training series module 19 the technician s handbook module 22 jun 16 2020 the navy electricity and electronics training series module 14 introduction to microelectronics aug 31 2021 ebook essentials of understanding psychology mar 06 2022

accounting for mbas solutions for module 22 2022 - Aug 21 2023

web accounting for mbas solutions for module 22 downloaded from eagldemo2 eagltechnology com by guest foley eden financial accounting pearson education india this highly regarded reference is relied on by a considerable part of the accounting profession in their day to day work

accounting for mbas solutions for module 22 uniport edu - Aug 09 2022

web jun 28 2023 accounting for mbas solutions for module 22 1 4 downloaded from uniport edu ng on june 28 2023 by guest accounting for mbas solutions for module 22 when people should go to the books stores search creation by shop shelf by shelf it is in reality problematic this is why we provide the book compilations in this website it will

accounting for mbas solutions for module 22 full pdf - Sep 10 2022

web accounting for mbas solutions for module 22 accounting for mbas solutions for module 22 2 downloaded from ceu social on 2020 11 02 by guest auditing 2018 05 15 susan convey personal computing 1989 infoworld 1982 10 18 infoworld is targeted to senior it professionals content is segmented into channels and topic centers

accounting for mbas solutions for module 22 copy uniport edu - Feb 03 2022

web apr 15 2023 accounting for mbas solutions for module 22 as one of the most full of zip sellers here will enormously be along with the best options to review peterson s mba programs peterson s firm 2006 detail on accredited mba programs in the u s and canada detail on accredited mba programs in the u s and canada

accounting for mbas solutions for module 22 download only - Mar 04 2022

web accounting for mbas solutions for module 22 3 3 recognized and relied on it is designed as a single reference source that provides answers to all reasonable questions on accounting and financial reporting asked by accountants auditors bankers lawyers financial analysts and other

accounting for mbas solutions for module 22 copy uniport edu - Dec 01 2021

web apr 13 2023 accounting for mbas solutions for module 22 2 5 downloaded from uniport edu ng on april 13 2023 by guest reference source for parents college advisors educators and public academic and high school librarians these two

volumes provide extensive information on 1 900 institutions of higher education

accounting for mbas solutions for module 22 pdf full pdf - Jan 14 2023

web introduction accounting for mbas solutions for module 22 pdf full pdf the mba career guide 1995 infoworld 2001 12 03 infoworld is targeted to senior it professionals content is segmented into channels and topic centers infoworld also celebrates people companies and projects

accounting for mbas solutions for module 22 2023 - Mar 16 2023

web accounting for mbas solutions for module 22 design and implementation of sensory solutions for industrial environment oct 23 2021 this book presents applicable guidance into sensor system hardware and software design extensions and integration aimed at utilization of 1 wire networks the content is structured

accounting for mbas solutions for module 22 pdf - Jul 08 2022

web accounting for mbas solutions for module 22 3 3 him a unique position to write on management topics that are easy to understand for non mba graduates his books are authored in a simple to understand manner without unnecessary use of management jargons about vibrant publishers vibrant

financial and managerial accounting for mbas solutions manual - Oct 23 2023

web unlike static pdf financial and managerial accounting for mbas solution manuals or printed answer keys our experts show you how to solve each problem step by step no need to wait for office hours or assignments to be graded to find out where you took a wrong turn you can check your reasoning as you tackle a problem using our interactive

download solutions accounting for mbas solutions for module 22 - Nov 12 2022

web accounting for mbas solutions for module 22 resources in education may 15 2021 financial accounting and reporting module wiley cpaexcel exam review is the world s most trusted study guide for the certified public accountant s exam complete comprehensive and updated to align with the latest exam content

accounting for mbas solutions for module 22 pdf - Apr 17 2023

web sgn the reasoning for mba entrance test pdf ebook covers study material plus objective questions from various exams with answers student solutions manual to accompany financial accounting for mbas jul 12 2023 mba interview questions and answers jun 30 2022 a master of business administration mba is a graduate degree

accounting for mbas solutions for module 22 ray h garrison - Jul 20 2023

web accounting for mbas solutions for module 22 accounting for mbas solutions for module 22 2 downloaded from rjonline org on 2019 12 30 by guest information for it influencers worldwide computerworld s award winning web site computerworld com twice monthly publication focused conference series and custom research

accounting for mbas solutions for module 22 pdf 2013 - Jan 02 2022

web 4 accounting for mbas solutions for module 22 2019 10 13 developing this stronger foundation students understand accounting ideas more broadly and are able to ultimately learn procedural applications more quickly and accurately with a straightforward writing style and highly

[accounting for mbas solutions for module 22 pdf](#) - Feb 15 2023

web we meet the expense of accounting for mbas solutions for module 22 and numerous books collections from fictions to scientific research in any way in the course of them is this accounting for mbas solutions for module 22 that can be your partner accounting for mbas solutions for module 22 downloaded from openstackstats mirantis com by