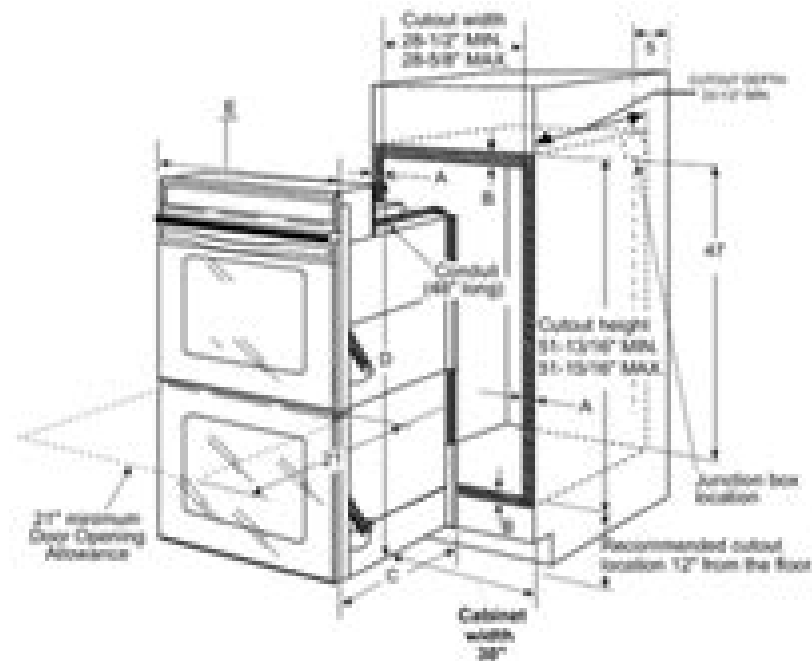




Profile™

JTP56BD/CD/SD/WD - GE Profile™ 30" Built-In Double Convection/Thermal Wall Oven

Cabinet Installation Dimensions (in inches)



Cabinet	30"
A-Overlap of Oven Door Side Edges of Cutout	11/16"-3/4"
B-Overlap of Oven at Top and Bottom of Cutout	1"
Oven	
C-Overall Depth	23-1/2"
D-Overall Height	52-3/8"
E-Overall Width	29-3/4"

KW Rating	
240V	7.2
208V	5.4
Breaker Size	
240V	40 Amps
208V	30 Amps

Installation Information: Before installing, consult installation instructions packed with product for current dimensional data.

NOTE: MOST 30" WALL CABINETS CAN BE USED WITH THIS UNIT. THE OPENING BETWEEN THE INSIDE WALLS MUST BE AT LEAST 28-1/2" WIDE.

Note: Cabinets installed adjacent to wall ovens must have an adhesion spec of at least 154° temperature rating.

Specification Created 7/01

For answers to your Monogram® GE Profile™ or GE appliance questions, visit our website at GEAppliances.com or call GE Answer Center® service, 800.626.2000.



Ge Electric Oven Manual

K Morrison



Ge Electric Oven Manual:

Thank you very much for downloading **Ge Electric Oven Manual**. Maybe you have knowledge that, people have look hundreds times for their favorite books like this Ge Electric Oven Manual, but end up in malicious downloads. Rather than enjoying a good book with a cup of tea in the afternoon, instead they cope with some infectious virus inside their desktop computer.

Ge Electric Oven Manual is available in our book collection an online access to it is set as public so you can get it instantly. Our book servers hosts in multiple countries, allowing you to get the most less latency time to download any of our books like this one.

Merely said, the Ge Electric Oven Manual is universally compatible with any devices to read

https://staging.conocer.cide.edu/book/uploaded-files/fetch.php/every_second_counts_english_edition.pdf

Table of Contents Ge Electric Oven Manual

1. Understanding the eBook Ge Electric Oven Manual
 - The Rise of Digital Reading Ge Electric Oven Manual
 - Advantages of eBooks Over Traditional Books
2. Identifying Ge Electric Oven Manual
 - Exploring Different Genres
 - Considering Fiction vs. Non-Fiction
 - Determining Your Reading Goals
3. Choosing the Right eBook Platform
 - Popular eBook Platforms
 - Features to Look for in an Ge Electric Oven Manual
 - User-Friendly Interface
4. Exploring eBook Recommendations from Ge Electric Oven Manual
 - Personalized Recommendations
 - Ge Electric Oven Manual User Reviews and Ratings

- Ge Electric Oven Manual and Bestseller Lists
- 5. Accessing Ge Electric Oven Manual Free and Paid eBooks
 - Ge Electric Oven Manual Public Domain eBooks
 - Ge Electric Oven Manual eBook Subscription Services
 - Ge Electric Oven Manual Budget-Friendly Options
- 6. Navigating Ge Electric Oven Manual eBook Formats
 - ePub, PDF, MOBI, and More
 - Ge Electric Oven Manual Compatibility with Devices
 - Ge Electric Oven Manual Enhanced eBook Features
- 7. Enhancing Your Reading Experience
 - Adjustable Fonts and Text Sizes of Ge Electric Oven Manual
 - Highlighting and Note-Taking Ge Electric Oven Manual
 - Interactive Elements Ge Electric Oven Manual
- 8. Staying Engaged with Ge Electric Oven Manual
 - Joining Online Reading Communities
 - Participating in Virtual Book Clubs
 - Following Authors and Publishers Ge Electric Oven Manual
- 9. Balancing eBooks and Physical Books Ge Electric Oven Manual
 - Benefits of a Digital Library
 - Creating a Diverse Reading Collection Ge Electric Oven Manual
- 10. Overcoming Reading Challenges
 - Dealing with Digital Eye Strain
 - Minimizing Distractions
 - Managing Screen Time
- 11. Cultivating a Reading Routine Ge Electric Oven Manual
 - Setting Reading Goals Ge Electric Oven Manual
 - Carving Out Dedicated Reading Time
- 12. Sourcing Reliable Information of Ge Electric Oven Manual
 - Fact-Checking eBook Content of Ge Electric Oven Manual
 - Distinguishing Credible Sources

13. Promoting Lifelong Learning
 - Utilizing eBooks for Skill Development
 - Exploring Educational eBooks
14. Embracing eBook Trends
 - Integration of Multimedia Elements
 - Interactive and Gamified eBooks

Ge Electric Oven Manual Introduction

Free PDF Books and Manuals for Download: Unlocking Knowledge at Your Fingertips In today's fast-paced digital age, obtaining valuable knowledge has become easier than ever. Thanks to the internet, a vast array of books and manuals are now available for free download in PDF format. Whether you are a student, professional, or simply an avid reader, this treasure trove of downloadable resources offers a wealth of information, conveniently accessible anytime, anywhere. The advent of online libraries and platforms dedicated to sharing knowledge has revolutionized the way we consume information. No longer confined to physical libraries or bookstores, readers can now access an extensive collection of digital books and manuals with just a few clicks. These resources, available in PDF, Microsoft Word, and PowerPoint formats, cater to a wide range of interests, including literature, technology, science, history, and much more. One notable platform where you can explore and download free Ge Electric Oven Manual PDF books and manuals is the internet's largest free library. Hosted online, this catalog compiles a vast assortment of documents, making it a veritable goldmine of knowledge. With its easy-to-use website interface and customizable PDF generator, this platform offers a user-friendly experience, allowing individuals to effortlessly navigate and access the information they seek. The availability of free PDF books and manuals on this platform demonstrates its commitment to democratizing education and empowering individuals with the tools needed to succeed in their chosen fields. It allows anyone, regardless of their background or financial limitations, to expand their horizons and gain insights from experts in various disciplines. One of the most significant advantages of downloading PDF books and manuals lies in their portability. Unlike physical copies, digital books can be stored and carried on a single device, such as a tablet or smartphone, saving valuable space and weight. This convenience makes it possible for readers to have their entire library at their fingertips, whether they are commuting, traveling, or simply enjoying a lazy afternoon at home. Additionally, digital files are easily searchable, enabling readers to locate specific information within seconds. With a few keystrokes, users can search for keywords, topics, or phrases, making research and finding relevant information a breeze. This efficiency saves time and effort, streamlining the learning process and allowing individuals to focus on extracting the information they need. Furthermore, the availability of free PDF books and manuals fosters a culture of continuous learning. By removing

financial barriers, more people can access educational resources and pursue lifelong learning, contributing to personal growth and professional development. This democratization of knowledge promotes intellectual curiosity and empowers individuals to become lifelong learners, promoting progress and innovation in various fields. It is worth noting that while accessing free Ge Electric Oven Manual PDF books and manuals is convenient and cost-effective, it is vital to respect copyright laws and intellectual property rights. Platforms offering free downloads often operate within legal boundaries, ensuring that the materials they provide are either in the public domain or authorized for distribution. By adhering to copyright laws, users can enjoy the benefits of free access to knowledge while supporting the authors and publishers who make these resources available. In conclusion, the availability of Ge Electric Oven Manual free PDF books and manuals for download has revolutionized the way we access and consume knowledge. With just a few clicks, individuals can explore a vast collection of resources across different disciplines, all free of charge. This accessibility empowers individuals to become lifelong learners, contributing to personal growth, professional development, and the advancement of society as a whole. So why not unlock a world of knowledge today? Start exploring the vast sea of free PDF books and manuals waiting to be discovered right at your fingertips.

FAQs About Ge Electric Oven Manual Books

What is a Ge Electric Oven Manual PDF? A PDF (Portable Document Format) is a file format developed by Adobe that preserves the layout and formatting of a document, regardless of the software, hardware, or operating system used to view or print it. **How do I create a Ge Electric Oven Manual PDF?** There are several ways to create a PDF: Use software like Adobe Acrobat, Microsoft Word, or Google Docs, which often have built-in PDF creation tools. Print to PDF: Many applications and operating systems have a "Print to PDF" option that allows you to save a document as a PDF file instead of printing it on paper. Online converters: There are various online tools that can convert different file types to PDF. **How do I edit a Ge Electric Oven Manual PDF?** Editing a PDF can be done with software like Adobe Acrobat, which allows direct editing of text, images, and other elements within the PDF. Some free tools, like PDFescape or Smallpdf, also offer basic editing capabilities. **How do I convert a Ge Electric Oven Manual PDF to another file format?** There are multiple ways to convert a PDF to another format: Use online converters like Smallpdf, Zamzar, or Adobe Acrobats export feature to convert PDFs to formats like Word, Excel, JPEG, etc. Software like Adobe Acrobat, Microsoft Word, or other PDF editors may have options to export or save PDFs in different formats. **How do I password-protect a Ge Electric Oven Manual PDF?** Most PDF editing software allows you to add password protection. In Adobe Acrobat, for instance, you can go to "File" -> "Properties" -> "Security" to set a password to restrict access or editing capabilities. Are there any free alternatives to Adobe

Acrobat for working with PDFs? Yes, there are many free alternatives for working with PDFs, such as: LibreOffice: Offers PDF editing features. PDFsam: Allows splitting, merging, and editing PDFs. Foxit Reader: Provides basic PDF viewing and editing capabilities. How do I compress a PDF file? You can use online tools like Smallpdf, ILovePDF, or desktop software like Adobe Acrobat to compress PDF files without significant quality loss. Compression reduces the file size, making it easier to share and download. Can I fill out forms in a PDF file? Yes, most PDF viewers/editors like Adobe Acrobat, Preview (on Mac), or various online tools allow you to fill out forms in PDF files by selecting text fields and entering information. Are there any restrictions when working with PDFs? Some PDFs might have restrictions set by their creator, such as password protection, editing restrictions, or print restrictions. Breaking these restrictions might require specific software or tools, which may or may not be legal depending on the circumstances and local laws.

Find Ge Electric Oven Manual :

[every second counts english edition](#)

[eutek systems dual teacup manual](#)

[europa cookies for every occasion](#)

[everyday math grade journal pages](#)

[everyday math teacher manual 3rd grade](#)

[evaluation paper topics](#)

eveolution vocabulary review

[everquest 2 necromancer guide](#)

evangelical church sunday school lesson manual

[everyday mathematics grade 5 unit 10 answers](#)

[evenflo ellipsa user guide](#)

europe les eacutetats deacutesunis

[eumig s926gl manual spanish](#)

[everyday spelling grade 4 answer](#)

evening stars blackberry island book 3

Ge Electric Oven Manual :

leali all italia libreria universitaria - Aug 03 2022

web nov 14 2019 leali all italia di davide giacalone scrivi per primo una recensione editore rubbettino collana problemi aperti data di pubblicazione 14 novembre 2019 ean 9788849860238 isbn 8849860234 pagine 196 formato brossura argomenti struttura e processi politici acquistabile con il bonus 18app o la carta del docente

leali all italia by davide giacalone darelava - Dec 27 2021

web may 23 2023 leali all italia by davide giacalone fausto leali discography and songs music profile for fausto leali born 29 october 1944 genres italo pop pop progressive rock albums include amore dolce amore amaro amore mio a chi se qualcuno cercasse di te and avrei voluto leali all italia libro di davide giacalone sconto 5 e spedizione con corriere a

le ali all italia o leali all italia sport work - Mar 10 2023

web jan 14 2020 le ali all italia o leali all italia prendo lo spunto dall ultimo libro di giacalone noto giornalista e scrittore presente ogni giorno su rtl 102 500 le ali all italia che come titolo si presta a giochi di parole

presentazione libro leali all italia di davide giacalone a - Jan 28 2022

web about press press

leali all italia davide giacalone libro libreria ibs - Aug 15 2023

web leali all italia di davide giacalone autore rubbettino 2019 1 libro disp in 5 gg lavorativi 13 30 14 00 5 130 punti aggiungi al carrello venditore ibs altri 7

leali all italia rubbettino editore - Apr 11 2023

web davide giacalone leali all italia in queste pagine si parte dalla realtà con fatti e numeri e si arriva alle ricette per cambiarla più che le divisioni politiche dovrebbe preoccupare l uniformità di certi indirizzi la scena è animata da leali all italia cartaceo 13 30 14 00 leali all italia ebook 7 59 7 99

pdf leali all italia de davide giacalone perlego - Mar 30 2022

web empieza a leer leali all italia en línea y consigue acceso ilimitado a una biblioteca de libros académicos y de no ficción con perlego

nicola leali wikipedia - Jun 01 2022

web nicola leali born 17 february 1993 is an italian professional footballer who plays as a goalkeeper for serie a club genoa club career brescia born in castiglione delle stiviere italy leali began his youth career with brescia calcio and played for the brescia primavera from 2009 to 2011

trova e prenota viaggi in comodità con le offerte del nostro sito leali - Feb 09 2023

web trova e prenota viaggi in comodità con le offerte del nostro sito leali tour roma rm italia

leali all italia 9788849860238 abebooks - Oct 05 2022

web abebooks com leali all italia 9788849860238 and a great selection of similar new used and collectible books available

now at great prices

leali all italia davide giacalone libro mondadori store - Jun 13 2023

web leali all italia davide giacalone pubblicato da rubbettino dai un voto prezzo online 13 30 5 14 00 o 3 rate da 4 43 senza interessi disponibile in 4 5 giorni la disponibilità è espressa in giorni lavorativi e fa riferimento ad un singolo pezzo 27 punti carta payback formati disponibili brossura 9 90 ebook kobo

leali all italia italian edition kindle edition amazon com - Jul 02 2022

web jan 10 2020 buy leali all italia italian edition read kindle store reviews amazon com

leali all italia italian edition kindle edition amazon co uk - Feb 26 2022

web select the department you want to search in

leali all italia by davide giacalone overdrive - Jan 08 2023

web jan 10 2020 leali all italia ebook by davide giacalone read a sample format ebook author davide giacalone publisher rubbettino editore release 10 january 2020 subjects sociology nonfiction find this title in libby the library reading app by overdrive search for a digital library with this title title found at these libraries

leali all italia by davide giacalone is available in these libraries - Apr 30 2022

web leali all italia by davide giacalone is available in these libraries overdrive ebooks audiobooks and more for libraries and schools back to leali all italia find a digital library with leali all italia near you learn more about precise location detection showing public libraries k 12 schools undefined

amazon it leali all italia giacalone davide libri - Jul 14 2023

web amazon it leali all italia giacalone davide libri libri politica strutture e processi politici nuovo 13 28 prezzo consigliato 14 00 maggiori informazioni risparmi 5 tutti i prezzi includono l iva scegli il tuo indirizzo disponibilità solo 2 quantità acquista ora pagamento transazione sicura spedizione solelibri

leali all italia 2la - May 12 2023

web jan 24 2020 leali all italia 2la di roberto luciani 24 gennaio 2020 tweet davide giacalone è editorialista per rtl 102 5 e autore di numerosi libri dove con puntuale analisi mette in risalto vizi e virtù dell italia

pdf leali all italia di davide giacalone perlego - Sep 04 2022

web leali all italia davide giacalone leggi subito questo libro condividi libro italian epub disponibile sull app e pdf disponibile su ios e android ebook epub leali all italia davide giacalone

leali all italia ebook epub davide giacalone fnac - Dec 07 2022

web leali all italia davide giacalone rubbettino editore des milliers de livres avec la livraison chez vous en 1 jour ou en magasin avec 5 de réduction

pdf leali all italia by davide giacalone ebook perlego - Nov 06 2022

web ebook epub leali all italia davide giacalone book details table of contents citations about this book in queste pagine si parte dalla realtà con fatti e numeri e si arriva alle ricette per cambiarla più che le divisioni politiche

caligula wikipedia - Jun 22 2023

web the assassination of the emperor caligula by lazzaro baldi caligula s actions as emperor were described as being especially harsh to the senate to the nobility and to the equestrian order according to josephus these actions led to several failed conspiracies against caligula

caligula İlber ortaylı köşe yazısı hürriyet haberler - Jan 17 2023

web jan 24 2021 caligula pervers ilişkilere girdi herkesi vergiye bağladığı yetmiyor gibi atını senatör bile ilan etti dönemi anlamak için tarih okumanıza lüzum yok

caligola caligula filmi sinemalar com - Apr 20 2023

web caligola film konusu caligula film tarihi boyunca belki de en çok tartışılan film sayılabilir sadece tek bir film İmparatorluk roması nın ardındaki sapıklığı göstermeye cesaret etmiştir ve bu film deli roma imparatorunun destansı öyküsünü anlatan caligula dır zalim tuhaf saltanatının tüm ayrıntıları bu filmde

caligula 1979 free download borrow and streaming internet archive - Jul 23 2023

web may 10 2019 subject good ol days when you think things are too weird and wish for the good ol days don t go too far back 37 41 ad is pretty weird reviewer malcolm taylor170 may 6 2023 subject caligula english version english language version and uncut reviewer craig jones244 february 9 2023

caligula biography facts britannica - Mar 19 2023

web oct 16 2023 caligula roman emperor from 37 to 41 ce who succeeded tiberius and transferred the last legion under a senatorial proconsul to an imperial legate completing the emperor s monopoly of army command accounts of his reign by ancient historians are so biased against him that the truth is nearly impossible to discern

caligola 1979 turkcealtyazi org türkçe altyazı - May 21 2023

web caligula film tarihi boyunca belki de en çok tartışılan film sayılabilir sadece tek bir film İmparatorluk roması nın ardındaki sapıklığı göstermeye cesaret etmiştir ve bu film deli roma imparatorunun destansı öyküsünü anlatan caligula dır zalim tuhaf saltanatının

bbc history caligula - Dec 16 2022

web y z caligula more properly gaius gaius julius caesar germanicus was the third roman emperor in succession to tiberius he has gone down in history perhaps unfairly as rome s most

bildiğiniz tüm delileri unutun tarihin en deli İmparatoru caligula - Feb 18 2023

web 21 06 2022 11 19 evet bildiğiniz tüm delilikleri unuttun çünkü karşınızda tarihin en deli imparatoru caligula ve yaptığı ilginç şeyler var hazırsanız tarihte kısa bir yolculuğa çıkalım İçeriğin devamı aşağıda
[caligula wikipedi](#) - Sep 25 2023

web gaius julius caesar augustus germanicus 31 ağustos 12 24 ocak 41 daha çok caligula takma adı ile bilinen 37 41 yılları arasında görev yapmış julio claudian hanedanı mensubu ve roma İmparatorluğunun üçüncü imparatoru aşırı savurganlığı tuhaflığı ahlaksızlığı ve acımasızlığıyla tanınır

caligula nın sadece roma nın değil dünyanın en zalim ve sapık - Aug 24 2023

web sep 21 2016 gaius julius caesar augustus germanicus yani daha çok bilinen adıyla caligula 37 41 yılları arasında sadece 4 yıl boyunca hüküm sürmüş ancak bu kısa hükümdarlık süresine çok fazla sapkınlık vahşet delilik zulüm vs sığdırmayı başarmış julio claudian hanedanı mensubu ve roma İmparatorluğunun üçüncü

[pyomo optimization modeling in python semantic scholar](#) - Nov 21 2022

feb 10 2012 romodel is an open source python package extending the modeling capabilities of the algebraic modeling language pyomo to robust optimization problems and is a platform to implement and compare custom uncertainty sets and reformulations 7 pdf scalable parallel nonlinear optimization with pynumero and parapint

[pyomo](#) - Aug 31 2023

pyomo is a python based open source optimization modeling language with a diverse set of optimization capabilities read more installation the easiest way to install pyomo is to use pip pyomo also needs access to optimization solvers read more docs and examples pyomo documentation and examples are available online

[pyomo optimization modeling in python google books](#) - Apr 14 2022

feb 15 2012 chapters describing advanced modeling capabilities for nonlinear and stochastic optimization are also included the pyomo software provides familiar modeling features within python a

[pyomo optimization modeling in python springerlink](#) - Feb 22 2023

unique book describing the pyomo modeling tool the most comprehensive open source modeling software that can model linear programs integer programs nonlinear programs stochastic programs and disjunctive programs discusses pyomo s modeling components illustrated with extensive examples

[pyomo tutorial introduction to optimization modeling in python](#) - Mar 14 2022

apr 24 2023 p yomo is a powerful optimization modeling language that allows users to easily create solve and analyze mathematical models in python in this tutorial we will cover the basics of

[pyomo optimization modeling in python request pdf](#) - Jan 24 2023

jan 1 2017 pyomo optimization modeling in python isbn 978 3 319 58819 3 authors william e hart carl d laird jean paul

watson david l woodruff university of california davis show all 7

github pyomo pyomo an object oriented algebraic modeling - Jun 28 2023

pyomo is a python based open source software package that supports a diverse set of optimization capabilities for formulating and analyzing optimization models pyomo can be used to define symbolic problems create concrete problem instances and solve these instances with standard solvers

pyomo optimization modeling in python springerlink - Jul 30 2023

pyomo is an open source software package for formulating and solving large scale optimization problems the software extends the modeling approach supported by modern aml algebraic modeling language tools pyomo is a flexible extensible and portable aml that is embedded in python a full featured scripting language

working with pyomo models pyomo 6 6 2 documentation - Aug 19 2022

an object to perform optimization is created by calling solverfactory with an argument giving the name of the solver the argument would be gurobi if e g gurobi was desired instead of glpk create a solver opt pyo solverfactory glpk the next lines after a comment create a model

documentation pyomo - May 28 2023

pyomo optimization modeling in python third edition springer 2021 the third edition of the book describes capabilities of the pyomo 6 x series pyomo book errata other publications hart william e jean paul watson and david l woodruff pyomo modeling and solving mathematical programs in python

pyomo optimization modeling in python searchworks catalog - Jun 16 2022

pyomo is an open source software package for formulating and solving large scale optimization problems the software extends the modeling approach supported by modern aml algebraic modeling language tools pyomo is a flexible extensible and portable aml that is embedded in python a full featured scripting language

dynamic optimization with pyomo dae pyomo 6 6 2 - Sep 19 2022

dynamic optimization with pyomo dae is a webpage that introduces how to use the pyomo dae package to formulate and solve dynamic optimization problems in python it provides examples of discretization schemes differential and algebraic equations initial and boundary conditions and optimal control it also shows how to use the pyomo dae simulator

pyomo pypi - Mar 26 2023

aug 24 2023 project description pyomo overview pyomo is a python based open source software package that supports a diverse set of optimization capabilities for formulating and analyzing optimization models pyomo can be used to define symbolic problems create concrete problem instances and solve these instances with standard solvers

modeling and optimization of a weekly workforce with python and pyomo - Feb 10 2022

nov 19 2018 the homepage for pyomo an extensible python based open source optimization modeling language for linear programming pyomo org pyomo allows to choosing among a variety of solvers both open source and commercial moreover the user can choose to solve problems in neos server a free internet based solver which can be used

pyomo optimization modeling in python google books - May 16 2022

may 26 2017 this book provides a complete and comprehensive guide to pyomo python optimization modeling objects for beginning and advanced modelers including students at the undergraduate and

pyomo optimization modeling in python searchworks catalog - Dec 23 2022

pyomo is an open source software package for formulating and solving large scale optimization problems the software extends the modeling approach supported by modern aml algebraic modeling language tools pyomo is a flexible extensible and portable aml that is embedded in python a full featured scripting language

[pyomo optimization modeling in python springer](#) - Oct 21 2022

this book describes a tool for mathematical modeling the python optimization modeling objects pyomo software pyomo supports the formulation and analysis of mathematical models for complex optimization applications this capability is commonly associated with algebraic modeling languages amls which support

pyomo optimization modeling in python request pdf - Apr 26 2023

jan 1 2021 we implemented our algorithm in python using pyomo 4 for modeling the optimization problems and we use the commercial solver cplex 5 with its academic license for solving these

optimization modelling in python scipy pulp and pyomo - Oct 01 2023

jan 26 2020 optimization modelling is one the most practical and widely used tools to find optimal or near optimal solutions to complex decision making problems optimization modelling most of the

about pyomo - Jul 18 2022

pyomo is a python based open source software package that supports a diverse set of optimization capabilities for formulating solving and analyzing optimization models a core capability of pyomo is modeling structured optimization applications