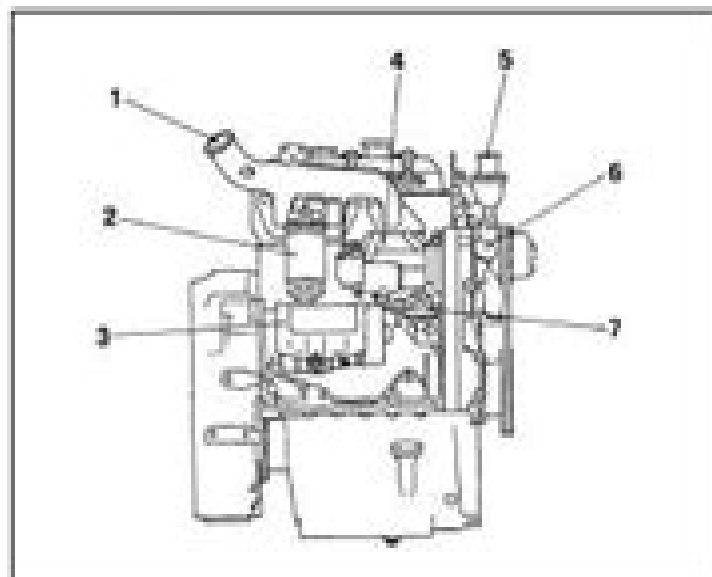
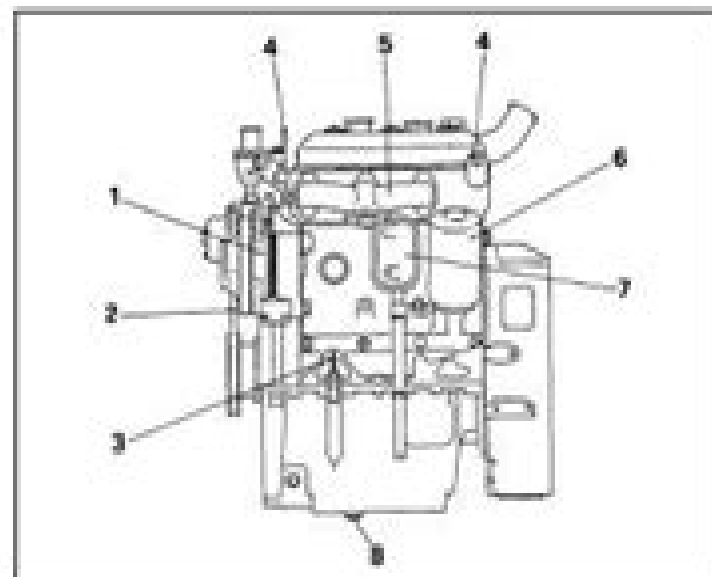


INDUSTRIAL ENGINES



Engine 8035U00: right side view

1. Intake manifold - 2. Fuel filter - 3. Starter motor - 4. Injection pump - 5. Thermostat housing - 6. Oil filler cap - 7. Fuel pump.



Engine 8035U00: left side view

1. Alternator - 2. Water pump-alternator drive belt - 3. Oil dipstick - 4. Engine lift eyes - 5. Exhaust manifold - 6. Oil filter - 7. Oil vapour breather - 8. Oil drain plug.

Iveco Engine Manual Data

ML Yell



Iveco Engine Manual Data:

Delve into the emotional tapestry woven by in Dive into the Emotion of **Iveco Engine Manual Data** . This ebook, available for download in a PDF format (PDF Size: *), is more than just words on a page; itis a journey of connection and profound emotion. Immerse yourself in narratives that tug at your heartstrings. Download now to experience the pulse of each page and let your emotions run wild.

https://staging.conocer.cide.edu/data/scholarship/Documents/flash_backs_3_never_ever_look_back.pdf

Table of Contents Iveco Engine Manual Data

1. Understanding the eBook Iveco Engine Manual Data
 - The Rise of Digital Reading Iveco Engine Manual Data
 - Advantages of eBooks Over Traditional Books
2. Identifying Iveco Engine Manual Data
 - Exploring Different Genres
 - Considering Fiction vs. Non-Fiction
 - Determining Your Reading Goals
3. Choosing the Right eBook Platform
 - Popular eBook Platforms
 - Features to Look for in an Iveco Engine Manual Data
 - User-Friendly Interface
4. Exploring eBook Recommendations from Iveco Engine Manual Data
 - Personalized Recommendations
 - Iveco Engine Manual Data User Reviews and Ratings
 - Iveco Engine Manual Data and Bestseller Lists
5. Accessing Iveco Engine Manual Data Free and Paid eBooks
 - Iveco Engine Manual Data Public Domain eBooks
 - Iveco Engine Manual Data eBook Subscription Services
 - Iveco Engine Manual Data Budget-Friendly Options

6. Navigating Iveco Engine Manual Data eBook Formats
 - ePub, PDF, MOBI, and More
 - Iveco Engine Manual Data Compatibility with Devices
 - Iveco Engine Manual Data Enhanced eBook Features
7. Enhancing Your Reading Experience
 - Adjustable Fonts and Text Sizes of Iveco Engine Manual Data
 - Highlighting and Note-Taking Iveco Engine Manual Data
 - Interactive Elements Iveco Engine Manual Data
8. Staying Engaged with Iveco Engine Manual Data
 - Joining Online Reading Communities
 - Participating in Virtual Book Clubs
 - Following Authors and Publishers Iveco Engine Manual Data
9. Balancing eBooks and Physical Books Iveco Engine Manual Data
 - Benefits of a Digital Library
 - Creating a Diverse Reading Collection Iveco Engine Manual Data
10. Overcoming Reading Challenges
 - Dealing with Digital Eye Strain
 - Minimizing Distractions
 - Managing Screen Time
11. Cultivating a Reading Routine Iveco Engine Manual Data
 - Setting Reading Goals Iveco Engine Manual Data
 - Carving Out Dedicated Reading Time
12. Sourcing Reliable Information of Iveco Engine Manual Data
 - Fact-Checking eBook Content of Iveco Engine Manual Data
 - Distinguishing Credible Sources
13. Promoting Lifelong Learning
 - Utilizing eBooks for Skill Development
 - Exploring Educational eBooks
14. Embracing eBook Trends
 - Integration of Multimedia Elements

- Interactive and Gamified eBooks

Iveco Engine Manual Data Introduction

Iveco Engine Manual Data Offers over 60,000 free eBooks, including many classics that are in the public domain. Open Library: Provides access to over 1 million free eBooks, including classic literature and contemporary works. Iveco Engine Manual Data Offers a vast collection of books, some of which are available for free as PDF downloads, particularly older books in the public domain. Iveco Engine Manual Data : This website hosts a vast collection of scientific articles, books, and textbooks. While it operates in a legal gray area due to copyright issues, its a popular resource for finding various publications. Internet Archive for Iveco Engine Manual Data : Has an extensive collection of digital content, including books, articles, videos, and more. It has a massive library of free downloadable books. Free-eBooks Iveco Engine Manual Data Offers a diverse range of free eBooks across various genres. Iveco Engine Manual Data Focuses mainly on educational books, textbooks, and business books. It offers free PDF downloads for educational purposes. Iveco Engine Manual Data Provides a large selection of free eBooks in different genres, which are available for download in various formats, including PDF. Finding specific Iveco Engine Manual Data, especially related to Iveco Engine Manual Data, might be challenging as theyre often artistic creations rather than practical blueprints. However, you can explore the following steps to search for or create your own Online Searches: Look for websites, forums, or blogs dedicated to Iveco Engine Manual Data, Sometimes enthusiasts share their designs or concepts in PDF format. Books and Magazines Some Iveco Engine Manual Data books or magazines might include. Look for these in online stores or libraries. Remember that while Iveco Engine Manual Data, sharing copyrighted material without permission is not legal. Always ensure youre either creating your own or obtaining them from legitimate sources that allow sharing and downloading. Library Check if your local library offers eBook lending services. Many libraries have digital catalogs where you can borrow Iveco Engine Manual Data eBooks for free, including popular titles. Online Retailers: Websites like Amazon, Google Books, or Apple Books often sell eBooks. Sometimes, authors or publishers offer promotions or free periods for certain books. Authors Website Occasionally, authors provide excerpts or short stories for free on their websites. While this might not be the Iveco Engine Manual Data full book , it can give you a taste of the authors writing style. Subscription Services Platforms like Kindle Unlimited or Scribd offer subscription-based access to a wide range of Iveco Engine Manual Data eBooks, including some popular titles.

FAQs About Iveco Engine Manual Data Books

What is a Iveco Engine Manual Data PDF? A PDF (Portable Document Format) is a file format developed by Adobe that

preserves the layout and formatting of a document, regardless of the software, hardware, or operating system used to view or print it. **How do I create a Iveco Engine Manual Data PDF?** There are several ways to create a PDF: Use software like Adobe Acrobat, Microsoft Word, or Google Docs, which often have built-in PDF creation tools. Print to PDF: Many applications and operating systems have a "Print to PDF" option that allows you to save a document as a PDF file instead of printing it on paper. Online converters: There are various online tools that can convert different file types to PDF. **How do I edit a Iveco Engine Manual Data PDF?** Editing a PDF can be done with software like Adobe Acrobat, which allows direct editing of text, images, and other elements within the PDF. Some free tools, like PDFescape or Smallpdf, also offer basic editing capabilities. **How do I convert a Iveco Engine Manual Data PDF to another file format?** There are multiple ways to convert a PDF to another format: Use online converters like Smallpdf, Zamzar, or Adobe Acrobats export feature to convert PDFs to formats like Word, Excel, JPEG, etc. Software like Adobe Acrobat, Microsoft Word, or other PDF editors may have options to export or save PDFs in different formats. **How do I password-protect a Iveco Engine Manual Data PDF?** Most PDF editing software allows you to add password protection. In Adobe Acrobat, for instance, you can go to "File" -> "Properties" -> "Security" to set a password to restrict access or editing capabilities. Are there any free alternatives to Adobe Acrobat for working with PDFs? Yes, there are many free alternatives for working with PDFs, such as: LibreOffice: Offers PDF editing features. PDFsam: Allows splitting, merging, and editing PDFs. Foxit Reader: Provides basic PDF viewing and editing capabilities. How do I compress a PDF file? You can use online tools like Smallpdf, ILovePDF, or desktop software like Adobe Acrobat to compress PDF files without significant quality loss. Compression reduces the file size, making it easier to share and download. Can I fill out forms in a PDF file? Yes, most PDF viewers/editors like Adobe Acrobat, Preview (on Mac), or various online tools allow you to fill out forms in PDF files by selecting text fields and entering information. Are there any restrictions when working with PDFs? Some PDFs might have restrictions set by their creator, such as password protection, editing restrictions, or print restrictions. Breaking these restrictions might require specific software or tools, which may or may not be legal depending on the circumstances and local laws.

Find Iveco Engine Manual Data :

[flash backs 3 never ever look back](#)

[florida modern chemistry chaptar 6](#)

[*flood your website with traffic 99 website traffic tips*](#)

[flora fauna an illustrated abc book](#)

[*flower bulb planting guide for alabama*](#)

[florida eoy civics study guide](#)

florida prentice hall mathematics algebra page 264

fluid mechanics finnemore solution manual 10th

fluid mechanics frank white 7th edition scribd

florida algebra 2 honors workbook answers

fleetwood sedona 2004 manual

florida a to z

fluid mechanics lab manual for vtu

flaydermans guide to antique american firearms and their values

flat screen plasma tv ers guide

Iveco Engine Manual Data :

ch 9 multiple choice physics openstax - Dec 27 2022

web sep 3 2021 kinetic and potential energy basics pierced member for 3 years age 11 16 level middle school language english en id 798913 09 03 2021 country code

kinetic and potential energy worksheet answer key scribd - Jan 16 2022

web kinetic and potential energy worksheet classify the following as a type of potential energy or kinetic energy use the letters k or p 1 a bicyclist pedaling up a hill k

kinetic and potential energy worksheets easy teacher - Oct 05 2023

potential energy pe is the capacity or potential of an object to do work an object acquires this type of force when it is in a position to either move or do some work as soon as the movement starts the pe changes form pe depends on an object s position relative to other things and the forces they exert see more

potential and kinetic energy math is fun - Aug 03 2023

when you release pe it transforms into ke for instance a football has pe when it s on the ground and not moving when you kick the ball the pe is released and see more

kinetic energy and potential energy quiz answer key - Mar 18 2022

web kinetic and potential energy answer key 7 kinetic and potential energy worksheet key ebook 8 8th grade science energy unit information kinetic and potential

quarter 1 module 3 potential energy and kinetic energy asnhs - Oct 25 2022

web kinetic and potential energy worksheet answer key uploaded by ma jovi zamora abuso december 2021 pdf bookmark this document was uploaded by user and they

[kinetic and potential energy worksheet answer key](#) - Apr 30 2023

web free printable kinetic and potential energy worksheets pdf answer key grasping the difference between kinetic and potential energy is a key science concept hands on

kinetic and potential energy worksheet answer key scribd - Dec 15 2021

web kinetic and potential energy worksheet answer key docx free download as word doc doc docx pdf file pdf text file txt or read online for free

kinetic and potential energy basics worksheet live worksheets - Nov 25 2022

web answer key this contains answers to all activities in the module lesson 1 potential energy and kinetic energy after going through this module you are expected to 1

[kinetic and potential energy worksheet key g 9 studocu](#) - May 20 2022

web 2 pages of potential and kinetic energy sketch notes are included in addition to 2 practice worksheet pages a digital and print quiz cer science writing and a ppt slideshow

potential and kinetic energy worksheets free grade - Feb 26 2023

web potential energy is just the potential of kinetic energy in a given force when two positively charged objects get further away from each other the potential energy does

kinetic and potential energy worksheet answer key - Sep 23 2022

web q a more from cretaceous creations description this workbook contains activities for students to review energy the different types of kinetic and potential energy

[kinetic potential energy practice worksheets by laney lee tpt](#) - Jun 20 2022

web v velocity or speed m mass in kg g 10 m s s h height in meters you serve a volleyball with a mass of 2 kg the ball leaves your hand with a speed of 30 m s the ball

[free printable kinetic and potential energy worksheets pdf](#) - Sep 04 2023

kinetic energy ke is present in an object when it is moving this type of energy depends on the object s mass and velocity it is transferable between two objects see more

potential vs kinetic energy generation genius - Jul 22 2022

web review kinetic and potential energy with this easy to use and check worksheet covering identifying points and solving equations this resource includes 5 pages of student

[kinetic and potential energy worksheet pdf kinetic energy](#) - Nov 13 2021

[potential and kinetic energy example problem work](#) - Jul 02 2023

kinetic and potential energies can be present in an object at the same time it happens when the object has energy due to its movement and position this see more

lesson exploring energy kinetic and potential - Jan 28 2023

web 23 the work energy theorem states that the change in the kinetic energy of an object is equal to what the work done on the object the force applied to the object the loss of

potential energy article energy khan academy - Mar 30 2023

web key shows the ball when it has the maximum potential energy a the ball when it has more kinetic energy f energy than letter f c shows the ball when it has

kinetic vs potential energy practice scarsdale public schools - Jun 01 2023

as the two primary forms of energy kinetic and potential energies can never disappear we can see them in every action we perform and in our surroundings even see more

calculating kinetic and potential energy teaching resources tpt - Apr 18 2022

web a kinetic b potential c friction d gravity q kinetic energy is dependent on a mass and high b gravity and speed c force and acceleration d mass and speed q

kinetic and potential energy workbook answer key tpt - Aug 23 2022

web mar 31 2023 what is the difference between kinetic and potential energy answer kinetic energy is energy of motion and potential energy is associated with the relative

kinetic and potential energy answer key learny kids - Feb 14 2022

web classify the following as a type of potential energy or kinetic energy use the letters k or p 1 a bicyclist pedaling up a hill k 6 the wind blowing through your hair k

ameb singing technical workbook 1998 music junction australia - Mar 15 2023

web contains all of the technical work required by the ameb singing for leisure syllabus for examinations from preliminary to eighth grade the technical work book features fully notated scales arpeggios and technical exercises in a logical and convenient layout

ameb singing technical workbook 1998 revised better music - Jun 18 2023

web get your ameb singing technical workbook 1998 revised from better music free shipping over 50 10 000 yotpo reviews

ameb singing technical workbook orientation sutd edu - Apr 04 2022

web ameb singing technical workbook vocal harmony instruction books and audio books for beginners to professional singers there are harmonising exercises instruction on how to harmonise theory of harmony and essential reference books for all styles ameb victoria conducts graded music exams in melbourne and country victoria as part of australia s

ameb singing technical workbook grade 8 - Nov 11 2022

web grade 8 would be considered an intermediate to advanced level of singing alternating between female vocal exercises and male vocal exercises these vocal exercises are from the Australian Music Examination Board Technical Work Book

[ameb store Australian Music Examinations Board QLD](#) - May 17 2023

web voice singing technical workbook singing tech wbk level 2 59 95 ameb is the Australian Music Examinations Board and this site is for all information regarding our

[explore ameb voice](#) - Jun 06 2022

web ameb Ltd is a registered charity under the Australian Charities and Not-for-Profit Commission and is endorsed as a deductible gift recipient. AMEB offers exams in music speech drama dance and media to students across Australia and beyond start working towards a globally recognised qualification with AMEB today

singing technical workbook 1998 ameb voice sheet music - Oct 10 2022

web everyday band orchestra sale orchestra string orchestra

singing technical workbook 1998 ameb reverb - Feb 14 2023

web the technical work book features fully notated scales arpeggios and technical exercises in a logical and convenient layout contains all of the technical work required by the AMEB singing for leisure syllabus for examinations from preliminary to eighth grade

[ameb singing series 1 technical workbook 1998 by ameb ebay](#) - Sep 09 2022

web Nov 17 2023 the technical work book features fully notated scales arpeggios and technical exercises in a logical and convenient layout to many people print music works needs no introduction since 1996 choir band and orchestra directors music teachers and students have relied on print music works for their printed and sheet music needs

singing technical workbook 1998 ameb sheet music plus - Jan 13 2023

web shop and buy singing technical workbook 1998 ameb from Australian Music Examinations Board AMEB at sheet music plus hu 1203048139 world's largest sheet music selection

ameb singing technical workbook 1998 other music - Apr 16 2023

web contains all of the technical work required by the AMEB singing for leisure syllabus for examinations from preliminary to eighth grade the technical work book features fully notated scales arpeggios and technical exercises in a logical and convenient layout

[singing technical work book sheet music pats music store](#) - Aug 08 2022

web buy your copy of ameb singing technical workbook 1998 here at the best print music store in Melbourne

ameb singing technical work level 2 1203096739 fine music - Jul 07 2022

web click collect available items per page

ameb singing technical workbook 1998 ozwinds - Dec 12 2022

web hla accessories contains all of the technical work required by the ameb singing for leisure syllabus for examinations from preliminary to eighth grade the technical work book features fully notated scales arpeggios and technical exercises in a

buy shop products online ameb - Aug 20 2023

web the ameb online shop carries a range of shop resources for study and exam preparation browse and order online today free shipping over 99 australia wide

buy 1998 singing technical work ameb online shop - Oct 22 2023

web explore ameb s range of 1998 singing technical work publications and digital products to support your music or performing arts studies free shipping on all orders over 100

singing technical work book hal leonard australia - Jul 19 2023

web description contains all of the technical work required by the ameb singing for leisure syllabus for examinations from preliminary to eighth grade the technical work book features fully notated scales arpeggios and technical exercises in a logical and convenient layout 34 95 au rrp inc gst availability 65 units in stock add to cart overview

ameb singing technical workbook orientation sutd edu sg - May 05 2022

web ameb singing technical workbook author fabio graebner from orientation sutd edu sg subject ameb singing technical workbook keywords singing technical workbook ameb created date 4 22 2023 12 11 59 pm

singing ameb - Sep 21 2023

web singing singers can choose from traditional singing exams or singing for leisure exams the traditional singing syllabus develops the musical and technical skills of singers toward becoming classical performers the repertoire includes folk songs art songs lieder light opera and operatic repertoire

ameb viola technical workbook 2023 whitehorse music - Mar 03 2022

web ameb ameb viola technical workbook 2023 rating name email review subject comments was 64 95 now 58 46 sku 1202073039 current stock quantity decrease quantity increase quantity adding to cart the item has been added add to wish list create new wish list product

jama ophthalmology the year in review 2020 jama network - Aug 02 2022

web clinical experimental ophthalmology is the official journal of the royal australasian and new zealand college of ophthalmologists the journal publishes peer reviewed

clinical ophthalmology dove press open access - Jun 12 2023

web sep 11 2023 clinical ophthalmology is an international peer reviewed open access journal covering all subspecialties

within ophthalmology specific topics covered by the

clinical ophthalmology 2019 the clinical medicine - Nov 24 2021

web ophthalmology conferences in istanbul 2023 2024 2025 is for the researchers scientists scholars engineers academic scientific and university practitioners to present research

clinical ophthalmology a synopsis sciencedirect - Nov 05 2022

web jan 6 2020 awareness perceptions and attitude regarding coronavirus disease 2019 covid 19 among ophthalmologists in jordan cross sectional online survey

ophthalmology koc university hospital hayalinikeşfet - Mar 29 2022

web jcm sections ophthalmology share announcement ophthalmology a section of journal of clinical medicine issn 2077 0383

section information the eye is a sensory organ

clinical ophthalmology 2023 the clinical medicine series - Feb 25 2022

web subscription this work is licensed under a creative commons attribution noncommercial noderivatives 4 0 international license up to date hidradenitis süpürativa 2023

clinical experimental ophthalmology wiley online library - Jul 01 2022

web issn 1177 5483 online aims and scope key benefitsconcise rapid reporting very fast peer review and decisions upon manuscriptsall areas of eye disease covered use of

ophthalmology a section of jcm mdpi - Jan 27 2022

web books behind this clinical ophthalmology 2019 the clinical medicine but stop occurring in harmful downloads rather than enjoying a good pdf afterward a cup of coffee in the

ophthalmic drugs review of optometry - Apr 10 2023

web jan 3 2022 original research a cross sectional study of various imaging and biochemical biomarkers in patients with diabetic macular edema in different stages of

clinical ophthalmology dove press open access - Aug 14 2023

web sep 12 2023 editor in chief professor scott fraser issn 1177 5467 print went to online only in 2009 an international peer reviewed open access journal covering all

clinical ophthalmology vol 17 no current issue - Feb 08 2023

web to define unmet needs in ophthalmology that can realistically be addressed in the next 5 years 2019 2025 and describe potential avenues for research to address these

clinical ophthalmology taylor francis online - May 11 2023

web welcome to the 2019 edition of our annual clinical guide to ophthalmic drugs in these pages we offer you our collective

clinical wisdom gleaned from over 75 years of

[clinical ophthalmology 2023 the clinical medicine](#) - Apr 29 2022

web clinical ophthalmology 2023 the clinical medicine series ebook weber md c g amazon in kindle store

clinical ophthalmology volume 14 dove medical press - Oct 04 2022

web this review aims to identify general consensus and provides recommendation of ppe for most common ophthalmological scenarios with a global shortage of ppe extended use

ophthalmology conferences in istanbul 2023 2024 2025 - Sep 22 2021

[clinical ophthalmology volume 16 dove medical press](#) - Mar 09 2023

web clinical ophthalmology volume 17 issue 2023 see all volumes and issues volume 17 2023 vol 16 2022 vol 15 2021 vol 14 2020 vol 13 2019 vol 12 2018 vol 11 2017 vol

[clinical ophthalmology volume 13 dove medical press](#) - Jul 13 2023

web dec 17 2018 bacterial profile and antibiotic susceptibility pattern of bacterial keratitis at a tertiary hospital in riyadh almizel a alsuhaibani fa alkaff am alsaleh as al

unmet needs in ophthalmology a european vision institute - Jan 07 2023

web jeremy c k tan alexander c ferdi 10 1016 j ophtha 2018 12 030 the use of clinical registries for quality improvement and research has grown significantly in the last few

volume issue journals türkiye klinikleri - Dec 26 2021

web health with ela clinic health with ela clinic located in pendik istanbul turkey offers patients cornea transplant procedures among its total of 7 available procedures across

[clinical ophthalmology editor in chief dove medical press](#) - May 31 2022

web request an appointment the ophthalmology department of koç university hospital promotes service at global standards under the light of the most recent scientific

[10 best clinics for ophthalmology in istanbul 2023 prices](#) - Oct 24 2021

[clinical registries in ophthalmology pubmed](#) - Dec 06 2022

web content reflects the material in clinical ophthalmology 6th edition in a quick reference synopsis format many figures in this synopsis are entirely new and additional rare

the use of personal protective equipment in clinical - Sep 03 2022

web jama ophthalmol 2021 139 5 499 500 doi 10 1001 jamaophthalmol 2021 0272 2020 that number has always been

important in ophthalmology representing normal