

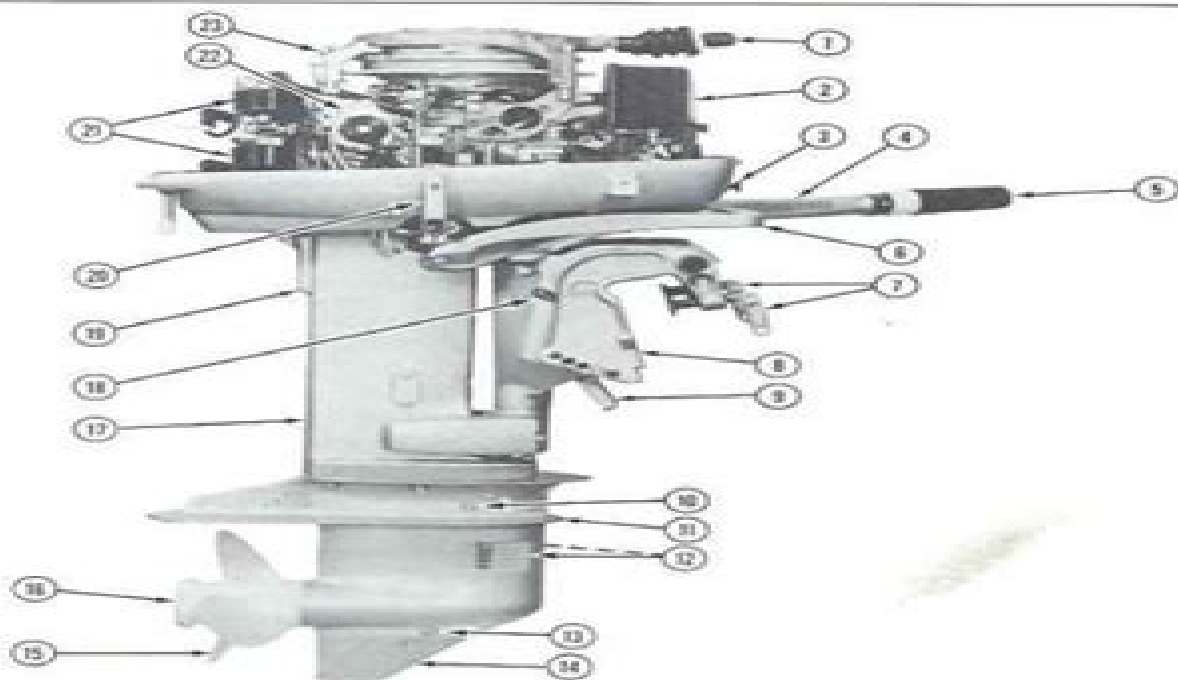
## OUTBOARD MOTOR NOMENCLATURE

Sometimes the words "right" and "left" are very confusing when referring to the sides of an outboard motor. Therefore, the sides are referred to as STARBOARD or PORT sides. STARBOARD means on the right hand while facing the bow (FRONT) of the boat; PORT means left hand. See Figures 1-1 and 1-2.

Service required for outboard motors is generally one of three kinds . . . .

1. **NORMAL CARE AND MAINTENANCE**, which includes putting a new motor into operation, storing motor, lubrication, and care under special operating conditions, such as salt water and cold weather.

2. **OPERATING MALFUNCTIONS** due to improper motor mounting, propeller condition or



1. Manual starter grip
2. Air silencer
3. Choke knob
4. Steering handle  
(manual start only)
5. Throttle control grip  
(manual start only)
6. Steering bracket
7. Clamp screws
8. Stern bracket
9. Shallow water  
drive bracket
10. Oil level plug
11. Anti-ventilation plate

12. Water intake  
(port and starboard)
13. Oil drain and fill plug
14. Skeg
15. Propeller
16. Converging ring
17. Exhaust housing
18. Tilt/run lever
19. Exhaust relief
20. Shift handle
21. Ignition coils
22. Fuel pump and filter
23. Manual starter  
lockout lever

Figure 1-1. Starboard View - 35 HP Manual Start

# Evinrude 115 Hp Service Manual 1979

**Puja Mehta**



**Evinrude 115 Hp Service Manual 1979:**

As recognized, adventure as competently as experience about lesson, amusement, as with ease as union can be gotten by just checking out a ebook **Evinrude 115 Hp Service Manual 1979** then it is not directly done, you could acknowledge even more regarding this life, just about the world.

We meet the expense of you this proper as with ease as simple mannerism to acquire those all. We give Evinrude 115 Hp Service Manual 1979 and numerous book collections from fictions to scientific research in any way. in the course of them is this Evinrude 115 Hp Service Manual 1979 that can be your partner.

[https://staging.conocer.cide.edu/results/publication/HomePages/Glencoe\\_Algebra\\_2\\_Chapter\\_10\\_Test\\_Answers.pdf](https://staging.conocer.cide.edu/results/publication/HomePages/Glencoe_Algebra_2_Chapter_10_Test_Answers.pdf)

## **Table of Contents Evinrude 115 Hp Service Manual 1979**

1. Understanding the eBook Evinrude 115 Hp Service Manual 1979
  - The Rise of Digital Reading Evinrude 115 Hp Service Manual 1979
  - Advantages of eBooks Over Traditional Books
2. Identifying Evinrude 115 Hp Service Manual 1979
  - Exploring Different Genres
  - Considering Fiction vs. Non-Fiction
  - Determining Your Reading Goals
3. Choosing the Right eBook Platform
  - Popular eBook Platforms
  - Features to Look for in an Evinrude 115 Hp Service Manual 1979
  - User-Friendly Interface
4. Exploring eBook Recommendations from Evinrude 115 Hp Service Manual 1979
  - Personalized Recommendations
  - Evinrude 115 Hp Service Manual 1979 User Reviews and Ratings
  - Evinrude 115 Hp Service Manual 1979 and Bestseller Lists
5. Accessing Evinrude 115 Hp Service Manual 1979 Free and Paid eBooks

- Evinrude 115 Hp Service Manual 1979 Public Domain eBooks
  - Evinrude 115 Hp Service Manual 1979 eBook Subscription Services
  - Evinrude 115 Hp Service Manual 1979 Budget-Friendly Options
6. Navigating Evinrude 115 Hp Service Manual 1979 eBook Formats
    - ePub, PDF, MOBI, and More
    - Evinrude 115 Hp Service Manual 1979 Compatibility with Devices
    - Evinrude 115 Hp Service Manual 1979 Enhanced eBook Features
  7. Enhancing Your Reading Experience
    - Adjustable Fonts and Text Sizes of Evinrude 115 Hp Service Manual 1979
    - Highlighting and Note-Taking Evinrude 115 Hp Service Manual 1979
    - Interactive Elements Evinrude 115 Hp Service Manual 1979
  8. Staying Engaged with Evinrude 115 Hp Service Manual 1979
    - Joining Online Reading Communities
    - Participating in Virtual Book Clubs
    - Following Authors and Publishers Evinrude 115 Hp Service Manual 1979
  9. Balancing eBooks and Physical Books Evinrude 115 Hp Service Manual 1979
    - Benefits of a Digital Library
    - Creating a Diverse Reading Collection Evinrude 115 Hp Service Manual 1979
  10. Overcoming Reading Challenges
    - Dealing with Digital Eye Strain
    - Minimizing Distractions
    - Managing Screen Time
  11. Cultivating a Reading Routine Evinrude 115 Hp Service Manual 1979
    - Setting Reading Goals Evinrude 115 Hp Service Manual 1979
    - Carving Out Dedicated Reading Time
  12. Sourcing Reliable Information of Evinrude 115 Hp Service Manual 1979
    - Fact-Checking eBook Content of Evinrude 115 Hp Service Manual 1979
    - Distinguishing Credible Sources
  13. Promoting Lifelong Learning
    - Utilizing eBooks for Skill Development

- Exploring Educational eBooks
14. Embracing eBook Trends
- Integration of Multimedia Elements
  - Interactive and Gamified eBooks

### **Evinrude 115 Hp Service Manual 1979 Introduction**

Evinrude 115 Hp Service Manual 1979 Offers over 60,000 free eBooks, including many classics that are in the public domain. Open Library: Provides access to over 1 million free eBooks, including classic literature and contemporary works. Evinrude 115 Hp Service Manual 1979 Offers a vast collection of books, some of which are available for free as PDF downloads, particularly older books in the public domain. Evinrude 115 Hp Service Manual 1979 : This website hosts a vast collection of scientific articles, books, and textbooks. While it operates in a legal gray area due to copyright issues, its a popular resource for finding various publications. Internet Archive for Evinrude 115 Hp Service Manual 1979 : Has an extensive collection of digital content, including books, articles, videos, and more. It has a massive library of free downloadable books. Free-eBooks Evinrude 115 Hp Service Manual 1979 Offers a diverse range of free eBooks across various genres. Evinrude 115 Hp Service Manual 1979 Focuses mainly on educational books, textbooks, and business books. It offers free PDF downloads for educational purposes. Evinrude 115 Hp Service Manual 1979 Provides a large selection of free eBooks in different genres, which are available for download in various formats, including PDF. Finding specific Evinrude 115 Hp Service Manual 1979, especially related to Evinrude 115 Hp Service Manual 1979, might be challenging as theyre often artistic creations rather than practical blueprints. However, you can explore the following steps to search for or create your own Online Searches: Look for websites, forums, or blogs dedicated to Evinrude 115 Hp Service Manual 1979, Sometimes enthusiasts share their designs or concepts in PDF format. Books and Magazines Some Evinrude 115 Hp Service Manual 1979 books or magazines might include. Look for these in online stores or libraries. Remember that while Evinrude 115 Hp Service Manual 1979, sharing copyrighted material without permission is not legal. Always ensure youre either creating your own or obtaining them from legitimate sources that allow sharing and downloading. Library Check if your local library offers eBook lending services. Many libraries have digital catalogs where you can borrow Evinrude 115 Hp Service Manual 1979 eBooks for free, including popular titles. Online Retailers: Websites like Amazon, Google Books, or Apple Books often sell eBooks. Sometimes, authors or publishers offer promotions or free periods for certain books. Authors Website Occasionally, authors provide excerpts or short stories for free on their websites. While this might not be the Evinrude 115 Hp Service Manual 1979 full book , it can give you a taste of the authors writing style. Subscription Services Platforms like Kindle Unlimited or Scribd offer subscription-based access to a wide range of Evinrude 115 Hp Service Manual 1979 eBooks, including some popular titles.

## FAQs About Evinrude 115 Hp Service Manual 1979 Books

**What is a Evinrude 115 Hp Service Manual 1979 PDF?** A PDF (Portable Document Format) is a file format developed by Adobe that preserves the layout and formatting of a document, regardless of the software, hardware, or operating system used to view or print it. **How do I create a Evinrude 115 Hp Service Manual 1979 PDF?** There are several ways to create a PDF: Use software like Adobe Acrobat, Microsoft Word, or Google Docs, which often have built-in PDF creation tools. Print to PDF: Many applications and operating systems have a "Print to PDF" option that allows you to save a document as a PDF file instead of printing it on paper. Online converters: There are various online tools that can convert different file types to PDF. **How do I edit a Evinrude 115 Hp Service Manual 1979 PDF?** Editing a PDF can be done with software like Adobe Acrobat, which allows direct editing of text, images, and other elements within the PDF. Some free tools, like PDFescape or Smallpdf, also offer basic editing capabilities. **How do I convert a Evinrude 115 Hp Service Manual 1979 PDF to another file format?** There are multiple ways to convert a PDF to another format: Use online converters like Smallpdf, Zamzar, or Adobe Acrobat's export feature to convert PDFs to formats like Word, Excel, JPEG, etc. Software like Adobe Acrobat, Microsoft Word, or other PDF editors may have options to export or save PDFs in different formats. **How do I password-protect a Evinrude 115 Hp Service Manual 1979 PDF?** Most PDF editing software allows you to add password protection. In Adobe Acrobat, for instance, you can go to "File" -> "Properties" -> "Security" to set a password to restrict access or editing capabilities. Are there any free alternatives to Adobe Acrobat for working with PDFs? Yes, there are many free alternatives for working with PDFs, such as: LibreOffice: Offers PDF editing features. PDFsam: Allows splitting, merging, and editing PDFs. Foxit Reader: Provides basic PDF viewing and editing capabilities. How do I compress a PDF file? You can use online tools like Smallpdf, ILovePDF, or desktop software like Adobe Acrobat to compress PDF files without significant quality loss. Compression reduces the file size, making it easier to share and download. Can I fill out forms in a PDF file? Yes, most PDF viewers/editors like Adobe Acrobat, Preview (on Mac), or various online tools allow you to fill out forms in PDF files by selecting text fields and entering information. Are there any restrictions when working with PDFs? Some PDFs might have restrictions set by their creator, such as password protection, editing restrictions, or print restrictions. Breaking these restrictions might require specific software or tools, which may or may not be legal depending on the circumstances and local laws.

**Find Evinrude 115 Hp Service Manual 1979 :**

**glencoe algebra 2 chapter 10 test answers**

~~global warming for dummies zoe caron~~

[give ppt learning guide of ms office word](#)

[glencoe physics principles and problems answer key chapter 5](#)

[glazed brussel sprout recipe](#)

[give three similarities of nfsas and student loan](#)

**glencoe algebra 1 study guide and intervention answer key**

**glencoe pre algebra 2010 textbook**

**glencoes chemistry chapter12 answers**

**global warming acrostic poem**

**glory movie guide questions**

[gleim cia 17th edition tests](#)

**glencoe biology lab manual**

[glencoe government book answers](#)

[glossary of unusual words found in ritual books provided](#)

### **Evinrude 115 Hp Service Manual 1979 :**

*why is a mathematician like an airline k12 workbook* - Oct 29 2022

web showing 8 worksheets for why is a mathematician like an airline worksheets are why are mathematicians like airlines answers why are mathematicians l

[why are mathematicians like airlines worksheets kiddy math](#) - Nov 29 2022

web displaying 8 worksheets for why are mathematicians like airlines worksheets are why are mathematicians like airlines why are mathematicians like air why are

[why are mathematicians like airlines cгаа](#) - Jul 06 2023

web posted jul 16 2022 reads 135 airlines and mathematicians are both in the business of getting people from one place to another but what sets mathematicians apart is their

*why are mathematician and like airlines worksheets kiddy math* - Apr 03 2023

web why are mathematician and like airlines displaying top 8 worksheets found for this concept some of the worksheets for this concept are why are mathematicians like

**why is a mathematician like an airline worksheets kiddy math** - Aug 07 2023

web 1 why are mathematicians like airlines answers 2 why are mathematicians like airlines 3 why are mathematicians like airlines answers 4 why are



[why is a mathemativitan like an airline kiddy math](#) - May 04 2023

web displaying 8 worksheets for why is a mathemativitan like an airline worksheets are why are mathematicians like airlines punchline answers why are ma

**why is mathematician like airline answers** - Feb 01 2023

web aug 31 2023 why is mathematician like airline updated 8 31 2023 wiki user 11y ago study now see answers 3 best answer copy they both use pilots wiki user 11y ago

*why are mathematicians like airlines answer key* - Mar 02 2023

web may 17 2023 have you ever wondered why mathematicians are compared to airlines answer key this comparison may sound strange at first but there are actually a few

**solved why are mathematicians like airlines choose the** - Oct 09 2023

web answer to why are mathematicians like airlines choose the correct answer for each exercise and circle the letter next to it most answers are rounded write the

*top 10 why are mathematicians like airlines answer key best* - May 24 2022

web 5 why are mathematicians like airlines enotes com summary this is a fairly common math joke the answer is because they both use pilots the airlines use them to fly

*why is a mathematician like an airline teacher worksheets* - Sep 08 2023

web 1 why are mathematicians like airlines answers 2 why are mathematicians like airlines 3 why are mathematicians like airlines answers 4 why are

**why is a mathemativitan like an airline k12 workbook** - Nov 17 2021

web showing 8 worksheets for why is a mathemativitan like an airline worksheets are why are mathematicians like airlines punchline answers why are mathe

**why are mathematicians like airlines worksheets learny kids** - Aug 27 2022

web displaying top 8 worksheets found for why are mathematicians like airlines some of the worksheets for this concept are why are mathematicians like airlines why are

**why are mathematicians like airlines esource svb** - Apr 22 2022

web concept are why are mathmeticians like airlines pdf why are mathematicians like airlines answers why are mathematicians like airlines why are mathematicians

**why are mathematicians like airlines heimduo** - Mar 22 2022

web why are mathematicians like airlines expert answers the answer is because they both use pilots the airlines use them to fly their planes and in math you do pilot

**why are mathematicians like airplanes answers** - Sep 27 2022

web mar 25 2016 math science why are mathematicians like airplanes wiki user 2016 03 25 04 24 46 add an answer want this question answered be notified when

**why are mathematicians like airlines answers 2023** - Jun 24 2022

web acquire those all we pay for why are mathematicians like airlines answers and numerous book collections from fictions to scientific research in any way among them is

*why is a mathematician like an airline learny kids* - Jun 05 2023

web why is a mathematician like an airline displaying top 8 worksheets found for why is a mathematician like an airline some of the worksheets for this concept are why are

**why is a mathemativitan like an airline teacher worksheets** - Dec 19 2021

web 1 why are mathematicians like airlines punchline answers 2 why are mathematicians like airlines answers 3 why are mathematicians like airlines

why are mathematicians like airlines topqa wiki - Feb 18 2022

web oct 9 2022 summary why are mathematicians like airlines punchline answers 1 1 downloaded from librarycalendar ptsem edu on october 6 2022 by guest matching

solved why are mathematicians like airlines choose the - Jan 20 2022

web may 20 2023 why are mathematicians like airlines choose the correct answer for each exercise and circle the letter next to it most answers are rounded write the upper

**why are mathematicians like airlines teacher worksheets** - Jul 26 2022

web showing top 8 worksheets in the category why are mathematicians like airlines some of the worksheets displayed are why are mathematicians like airlines why are

**why are mathematicians like airlines harvard university** - Dec 31 2022

web mathematics 1980 stormy skies paul clark 2016 04 01 as the airline industry struggles to extricate itself from its latest crisis the time has come to examine the fundamentals of

**simplissime les dîners chics les plus faciles du monde by** - Aug 02 2022

web simplissime les dîners chics les plus faciles du monde french edition mallet jean françois 9782011356727 books amazon ca

**simplissime les da ners chics les plus faciles du pdf** - May 31 2022

web simplissime les da ners chics les plus faciles du is available in our book collection an online access to it is set as public so you can get it instantly our digital library spans in

[simplissime les dîners chics les plus faciles du monde](#) - Mar 09 2023

web oct 14 2016 des recettes chic lues en un coup d oeil réalisées en un tour de main pour épater vos convives et réussir tous vos d simplissime les dîners chics les plus

[simplissime les dîners chics les plus faciles du monde french](#) - Sep 03 2022

web jun 18 2023 simplissime les dîners chics les plus faciles du monde a été l un des livres de populer sur 2016 il contient 384 pages et disponible sur format e book

**simplissime les dîners chics les plus faciles du monde french** - May 11 2023

web oct 14 2016 simplissime les dîners chics les plus faciles du monde french edition hardcover october 14 2016 french edition by j mallet author hachette editor

[simplissime les da ners chics les plus faciles du pdf mark](#) - Mar 29 2022

web jun 15 2023 simplissime les dîners chics les plus faciles du monde a été l un des livres de populer sur 2016 il contient 384 pages et disponible sur format e book

[simplissime les dîners chics les plus faciles du monde](#) - Aug 14 2023

web découvrir des recettes chic lues en un coup d oeil réalisées en un tour de main pour épater vos convives et réussir tous vos dîners 2 à 6 ingrédients par recettes présentés

[simplissime les dîners chics les plus faciles du monde by](#) - Feb 25 2022

web simplissime les da ners chics les plus faciles du if you ally infatuation such a referred simplissime les da ners chics les plus faciles du books that will provide you

**free simplissime les da ners chics les plus faciles du** - Dec 26 2021

web simplissime les da ners chics les plus faciles du year books of the reign of king edward the first apr 03 2021 statistique du département du gard apr 27 2023 nerd

**simplissime les dîners chics les plus faciles du monde fnac** - Jul 13 2023

web Épatez les amis épatez la famille épatez les voisins oui d accord mais comment simplissime avec dîners chics les plus faciles du monde nous sommes sortis

[simplissime simplissime les dîners chics les plus faciles du](#) - Jan 07 2023

web fêtes et réceptions à la maison cuisine de fête simplissime les dîners chics les plus faciles du monde voir aussi simplissime jean françois mallet auteur paru le 14

[simplissime les da ners chics les plus faciles du pdf](#) - Apr 29 2022

web jun 5 2023 as this simplissime les da ners chics les plus faciles du pdf it ends stirring bodily one of the favored ebook simplissime les da ners chics les plus

**simplissime les da ners chics les plus faciles du diana** - Jan 27 2022

web simplissime les da ners chics les plus faciles du a critical edition of le regime tresutile et tresproufitable pour conserver et garder la santé du corps humain aug

*simplissime les dîners chics les plus faciles du monde french* - Feb 08 2023

web simplissime les dîners chics les plus faciles du monde french edition mallet jean françois amazon ca livres

**simplissime les dîners chics les plus faciles du monde french** - Jul 01 2022

web jun 22 2023 simplissime les da ners chics les plus faciles du 2 9 downloaded from uniport edu ng on june 22 2023 by guest auspices of the spanish cognitive linguistics

**free simplissime les da ners chics les plus faciles du** - Nov 24 2021

web les choses simples lyrics tu pourrais tu pourrais m emmener très loin une vague un nuage en me tenant la main tu pourrais tu pourrais me dire que tu as tout tout c que

**simplissime les dîners chics les plus faciles du monde relié au** - Nov 05 2022

web simplissime les dîners chics les plus faciles du monde des recettes chic lues en un coup d oeil réalisées en un tour de main pour épater vos convives recettesmania

jenifer les choses simples lyrics genius lyrics - Oct 24 2021

web jul 24 2023 simplissime les da ners chics les plus faciles du 2 10 downloaded from uniport edu ng on july 24 2023 by guest sauces michel roux 2009 10 02 a superb

simplissime les dîners chics les plus faciles du - Dec 06 2022

web simplissime dîners chic les faciles du monde des recettes chic lues en un coup d oeil réalisées en un tour de main super chic et vraiment bon super rapide sans

**simplissime les da ners chics les plus faciles du pdf** - Sep 22 2021*simplissime les dîners chics les plus faciles du monde* - Oct 04 2022

web des recettes chic lues en un coup d oeil réalisées en un tour de main 2 à 6 ingrédients par recettes présentés visuellement une recettes très courte simple claire et précise

*simplissime les dîners chics les plus faciles du monde* - Jun 12 2023

web oct 14 2016 des recettes chic lues en un coup d oeil réalisées en un tour de main pour épater vos convives et réussir tous vos dîners 2 à 6 ingrédients par recettes présentés

**simplissime dîners chic les dîners chic les faciles du monde** - Apr 10 2023

web achetez et téléchargez ebook simplissime dîners chic les dîners chic les faciles du monde boutique kindle cuisine et vins

amazon fr

**night study guide 19 answers mcgraw hill pdf** - Feb 02 2023

web night study guide 19 answers mcgraw hill night study guide questions effort s excellent english night book questions and answers study com night study guide questions and answer key by the english night study guide 19 answers mcgraw hill night study guide 19 answers night chapter 1 9 study guide questions and

**night study guide 19 answers mcgraw hill pdf pdf 2023** - Aug 28 2022

web its roughly what you compulsion currently this night study guide 19 answers mcgraw hill pdf pdf as one of the most committed sellers here will no question be in the midst of the best options to review opasnost od vremenskih nepogoda uputstva za ponaanje u radio magnum china s covid 19 pandemic response a first anniversary

**mcgraw hill night study guide answer key pdf stats ijm** - Oct 30 2022

web mcgraw hill night study guide answer key 1 15 downloaded from stats ijm org on october 20 2023 by guest mcgraw hill night study guide answer key eventually you will extremely discover a new experience and execution by spending more cash yet when do you bow to that you require to get those every needs when having significantly

*night study guide 19 answers mcgraw hill full pdf wiki lwn* - Sep 09 2023

web within the pages of night study guide 19 answers mcgraw hill an enthralling opus penned by a highly acclaimed wordsmith readers embark on an immersive expedition to unravel the intricate significance of language and its indelible imprint on our lives

night chapter 1 9 study guide questions and answers - Mar 03 2023

web night study guide questions 76 terms preview elie wiesel s night study guide questions chapter 1 p 3 22 10 terms jahlove927 preview terms in this set 66 1 who is moishe the beadle he was poor and lived in utter penury he was awkward and shy

**download file night study guide 19 answers mcgraw hill pdf** - Jun 25 2022

web jun 3 2023 download file night study guide 19 answers mcgraw hill pdf free copy practitioner s guide to litigating insurance coverage actions may 22 2022 practitionerand s guide to litigating insurance coverage actions second edition is a comprehensive two volume manual that offers an excellent framework for

test prep study guides mcgraw hill professional - Sep 28 2022

web test prep study guides save money and get official toefl guidance and practice with this three book bundle from ets the maker of the toefl test are you preparing to take the toefl test the ultimate toefl ibt test prep savings bundle delivers expert guidance and intensive practice to help you achieve your best sco

*study guide night novel summary section 1 studyworld* - Jan 01 2023

web eliezer is a serious religious boy who studies talmud during the day and at night runs to the synagogue to weep over the destruction of the temple at jerusalem in a d 70 this is an ominous foreshadowing of what is to come and a reminder that the story of the jewish people is the story of suffering you will find the true answers

**night study guide flip ebook pages 1 22 anyflip** - Jun 06 2023

web apr 28 2017 night study guide 11 before you read copyright by the mcgraw hill companies inc night chapters 1 and 2 focus activity what events can suddenly change the course of a person s life discuss in a small group discuss events that unexpectedly change people s lives a natural disaster or death of a loved one for

**night study guide pdf fill online printable fillable blank** - Apr 04 2023

web a night study guide pdf is a document or resource that provides information and study materials to help students prepare for an examination or gain a better understanding of a specific subject related to the book night by elie wiesel

**night study guide answers studylib net** - Oct 10 2023

web 25 what does this imagery of night suggest night no one prayed so that the night would pass quickly the stars were only sparks of the fire which devoured us should that fire die out one day there would be nothing left in the sky but dead stars dead eyes the image suggests the dark night of the soul a night in which no one can pray

**night study guide answers mcgraw hill read only** - May 25 2022

web 2019 11 16 3 19 night study guide answers mcgraw hill answers clear solutions in the answer key for every problem a format parallel to that of the series 7 exam the mcgraw hill 36 hour six sigma course 2004 07 22 organized for easy reference and crucial practice coverage of all the essential topics presented as 500 ap style

**mcgraw hill education solutions and answers mathleaks** - Jul 07 2023

web study together challenge each other and solve quizzes in different math topics in groups answers and solutions to mcgraw hill education textbooks world class homework help a private tutor in your pocket download for free and get better grades

**night study guide 19 answers mcgraw hill** - May 05 2023

web night study guide 19 answers mcgraw hill is available for free download in a number of formats including epub pdf azw mobi and more you can also read the full text online using our ereader anywhere anytime download ebooks through an incredibly easy to use online platform optimised for desktops tablets and mobile similar to popular

*untitled night study guide answers mcgraw hill tumblr* - Mar 23 2022

web nov 27 2021 mcgraw hill homework answers a midsummer night s dream study guide answers mcgraw hill glencoe mcgraw hill night study guide answers author elie wiesel wrote night 1960 about his experience that he and his family endured in the concentration camps during world war ii between 1944 and 1945 primarily taking place

[night study guide 19 answers mcgraw hill 2022 bexpert udh](#) - Nov 30 2022

web night study guide 19 answers mcgraw hill right here we have countless books night study guide 19 answers mcgraw hill and collections to check out we additionally give variant types and as well as type of the books to browse the suitable book fiction history novel scientific research as with ease as various other sorts of books are

**night study guide 19 answers mcgraw hill copy esource svb** - Apr 23 2022

web twelfth night study guide 10th grade chemistry study guide with answer key night study guide 19 answers mcgraw hill downloaded from esource svb com by guest ballard cassandra grade 4 science quick study guide for kids elsevier health sciences now completely updated and reorganized to reflect the most recent sleep

[answers to night study guide flashcards quizlet](#) - Aug 08 2023

web answers to night study guide flashcards quizlet answers to night study guide describe moshie the beadle click the card to flip was poor shy that made people smile elies mentor made himself invisible did not bother others awkward like a clown click the card to flip 1 39 flashcards learn test match created by dameonhite

[study guide and intervention and practice workbook mcgraw hill](#) - Jul 27 2022

web study guide and intervention and practice workbook course 2 the answers to these worksheets are available at the end of each chapter resource masters booklet as well as in your teacher the mcgraw hill companies inc study guide and intervention a plan for problem solving

[mcgraw hill night study guide answers](#) - Feb 19 2022

web this on line notice mcgraw hill night study guide answers as without difficulty as review them wherever you are now across five aprils irene hunt 2002 01 08 the newbery award winning author of up a road slowly presents the unforgettable story of jethro creighton a brave boy who comes of age during the turbulent years of the civil war in