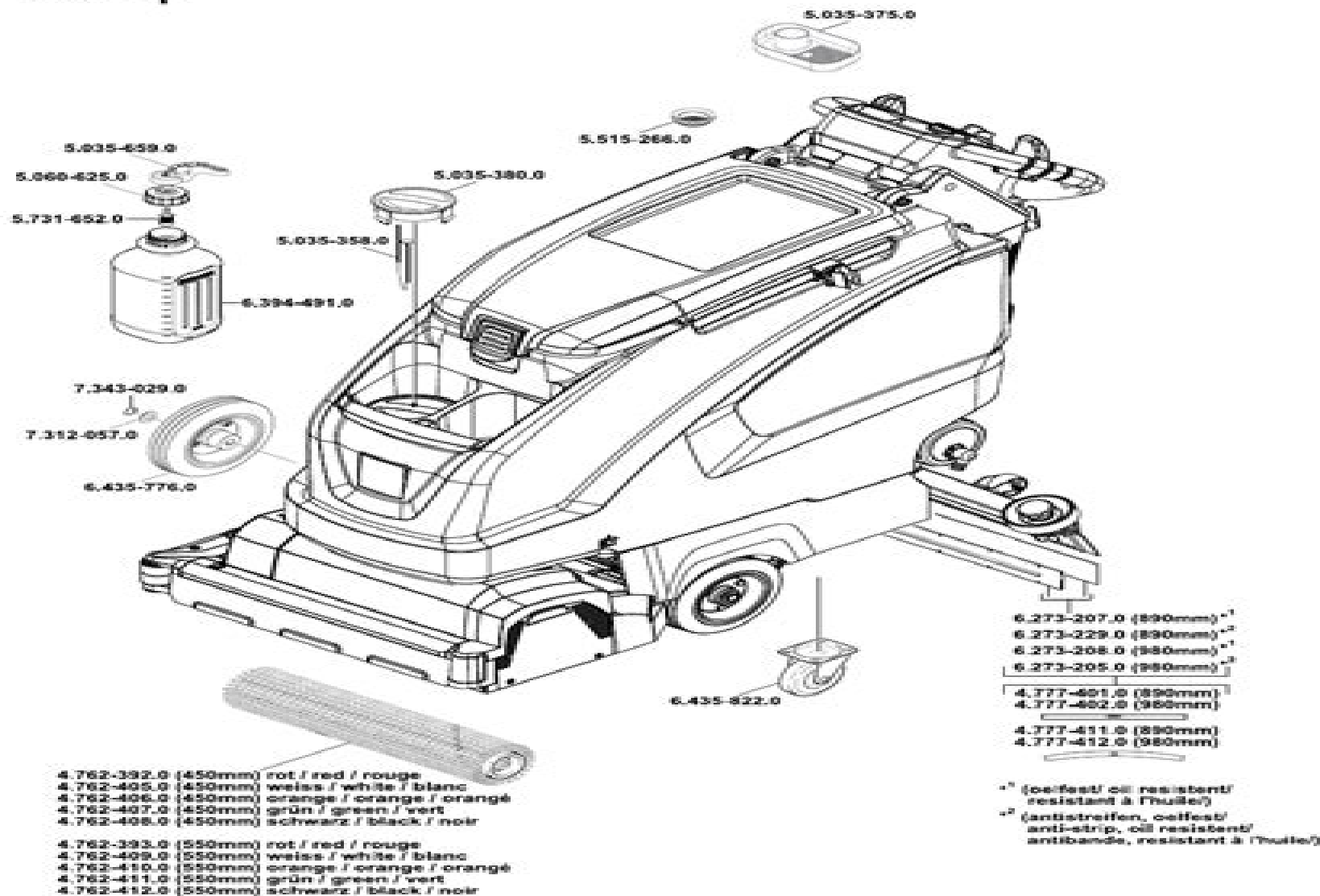


B 40 Ep



Karcher 55user Guide

M Tight



Karcher 55user Guide:

Karcher 55user Guide Book Review: Unveiling the Power of Words

In a global driven by information and connectivity, the energy of words has be more evident than ever. They have the ability to inspire, provoke, and ignite change. Such may be the essence of the book **Karcher 55user Guide**, a literary masterpiece that delves deep into the significance of words and their effect on our lives. Published by a renowned author, this captivating work takes readers on a transformative journey, unraveling the secrets and potential behind every word. In this review, we will explore the book is key themes, examine its writing style, and analyze its overall affect readers.

https://staging.conocer.cide.edu/results/virtual-library/HomePages/manual_for_nissan_qashqai.pdf

Table of Contents Karcher 55user Guide

1. Understanding the eBook Karcher 55user Guide
 - The Rise of Digital Reading Karcher 55user Guide
 - Advantages of eBooks Over Traditional Books
2. Identifying Karcher 55user Guide
 - Exploring Different Genres
 - Considering Fiction vs. Non-Fiction
 - Determining Your Reading Goals
3. Choosing the Right eBook Platform
 - Popular eBook Platforms
 - Features to Look for in an Karcher 55user Guide
 - User-Friendly Interface
4. Exploring eBook Recommendations from Karcher 55user Guide
 - Personalized Recommendations
 - Karcher 55user Guide User Reviews and Ratings
 - Karcher 55user Guide and Bestseller Lists
5. Accessing Karcher 55user Guide Free and Paid eBooks

- Karcher 55user Guide Public Domain eBooks
 - Karcher 55user Guide eBook Subscription Services
 - Karcher 55user Guide Budget-Friendly Options
6. Navigating Karcher 55user Guide eBook Formats
- ePub, PDF, MOBI, and More
 - Karcher 55user Guide Compatibility with Devices
 - Karcher 55user Guide Enhanced eBook Features
7. Enhancing Your Reading Experience
- Adjustable Fonts and Text Sizes of Karcher 55user Guide
 - Highlighting and Note-Taking Karcher 55user Guide
 - Interactive Elements Karcher 55user Guide
8. Staying Engaged with Karcher 55user Guide
- Joining Online Reading Communities
 - Participating in Virtual Book Clubs
 - Following Authors and Publishers Karcher 55user Guide
9. Balancing eBooks and Physical Books Karcher 55user Guide
- Benefits of a Digital Library
 - Creating a Diverse Reading Collection Karcher 55user Guide
10. Overcoming Reading Challenges
- Dealing with Digital Eye Strain
 - Minimizing Distractions
 - Managing Screen Time
11. Cultivating a Reading Routine Karcher 55user Guide
- Setting Reading Goals Karcher 55user Guide
 - Carving Out Dedicated Reading Time
12. Sourcing Reliable Information of Karcher 55user Guide
- Fact-Checking eBook Content of Karcher 55user Guide
 - Distinguishing Credible Sources
13. Promoting Lifelong Learning
- Utilizing eBooks for Skill Development

- Exploring Educational eBooks
14. Embracing eBook Trends
- Integration of Multimedia Elements
 - Interactive and Gamified eBooks

Karcher 55user Guide Introduction

In today's digital age, the availability of Karcher 55user Guide books and manuals for download has revolutionized the way we access information. Gone are the days of physically flipping through pages and carrying heavy textbooks or manuals. With just a few clicks, we can now access a wealth of knowledge from the comfort of our own homes or on the go. This article will explore the advantages of Karcher 55user Guide books and manuals for download, along with some popular platforms that offer these resources. One of the significant advantages of Karcher 55user Guide books and manuals for download is the cost-saving aspect. Traditional books and manuals can be costly, especially if you need to purchase several of them for educational or professional purposes. By accessing Karcher 55user Guide versions, you eliminate the need to spend money on physical copies. This not only saves you money but also reduces the environmental impact associated with book production and transportation. Furthermore, Karcher 55user Guide books and manuals for download are incredibly convenient. With just a computer or smartphone and an internet connection, you can access a vast library of resources on any subject imaginable. Whether you're a student looking for textbooks, a professional seeking industry-specific manuals, or someone interested in self-improvement, these digital resources provide an efficient and accessible means of acquiring knowledge. Moreover, PDF books and manuals offer a range of benefits compared to other digital formats. PDF files are designed to retain their formatting regardless of the device used to open them. This ensures that the content appears exactly as intended by the author, with no loss of formatting or missing graphics. Additionally, PDF files can be easily annotated, bookmarked, and searched for specific terms, making them highly practical for studying or referencing. When it comes to accessing Karcher 55user Guide books and manuals, several platforms offer an extensive collection of resources. One such platform is Project Gutenberg, a nonprofit organization that provides over 60,000 free eBooks. These books are primarily in the public domain, meaning they can be freely distributed and downloaded. Project Gutenberg offers a wide range of classic literature, making it an excellent resource for literature enthusiasts. Another popular platform for Karcher 55user Guide books and manuals is Open Library. Open Library is an initiative of the Internet Archive, a non-profit organization dedicated to digitizing cultural artifacts and making them accessible to the public. Open Library hosts millions of books, including both public domain works and contemporary titles. It also allows users to borrow digital copies of certain books for a limited period, similar to a library lending system. Additionally, many universities and educational institutions have their own digital

libraries that provide free access to PDF books and manuals. These libraries often offer academic texts, research papers, and technical manuals, making them invaluable resources for students and researchers. Some notable examples include MIT OpenCourseWare, which offers free access to course materials from the Massachusetts Institute of Technology, and the Digital Public Library of America, which provides a vast collection of digitized books and historical documents. In conclusion, Karcher 55user Guide books and manuals for download have transformed the way we access information. They provide a cost-effective and convenient means of acquiring knowledge, offering the ability to access a vast library of resources at our fingertips. With platforms like Project Gutenberg, Open Library, and various digital libraries offered by educational institutions, we have access to an ever-expanding collection of books and manuals. Whether for educational, professional, or personal purposes, these digital resources serve as valuable tools for continuous learning and self-improvement. So why not take advantage of the vast world of Karcher 55user Guide books and manuals for download and embark on your journey of knowledge?

FAQs About Karcher 55user Guide Books

How do I know which eBook platform is the best for me? Finding the best eBook platform depends on your reading preferences and device compatibility. Research different platforms, read user reviews, and explore their features before making a choice. Are free eBooks of good quality? Yes, many reputable platforms offer high-quality free eBooks, including classics and public domain works. However, make sure to verify the source to ensure the eBook credibility. Can I read eBooks without an eReader? Absolutely! Most eBook platforms offer web-based readers or mobile apps that allow you to read eBooks on your computer, tablet, or smartphone. How do I avoid digital eye strain while reading eBooks? To prevent digital eye strain, take regular breaks, adjust the font size and background color, and ensure proper lighting while reading eBooks. What the advantage of interactive eBooks? Interactive eBooks incorporate multimedia elements, quizzes, and activities, enhancing the reader engagement and providing a more immersive learning experience. Karcher 55user Guide is one of the best book in our library for free trial. We provide copy of Karcher 55user Guide in digital format, so the resources that you find are reliable. There are also many Ebooks of related with Karcher 55user Guide. Where to download Karcher 55user Guide online for free? Are you looking for Karcher 55user Guide PDF? This is definitely going to save you time and cash in something you should think about.

Find Karcher 55user Guide :

manual for nissan qashqai

manual for casio fx 890p

manual for ear training and sight singing

manual for john deere 160

manual for passion spas

manual for ford mondeo mk3

manual for ge tvrms2

manual for honda odyssey 2015

manual for curtis 1206 controller

manual for suzuki intruder

~~manual for gold xm 800 thermostat~~

manual for mtd yardman

manual for kenworth t800

manual for husqvarna 6430

manual for kirby g10d

Karcher 55user Guide :

Walls: Travels Along the Barricades by Marcello Di Cintio In this ambitious first person narrative, Marcello Di Cintio shares tea with Saharan refugees on the wrong side of Morocco's desert wall. He meets with illegal ... Walls: Travels Along the Barricades - Marcello Di Cintio A perfect mix of fact and vivid first-person narrative leaves you feeling that you've witnessed death-defying acts of bravery, and fallen ill with Wall Disease... Walls: Travels Along the Barricades by Di Cintio, Marcello In this ambitious blend of travel and reportage, Marcello Di Cintio travels to the world's most disputed edges to meet the people who live alongside the ... Walls: Travels Along the Barricades by Marcello Di Cintio, ... In this ambitious first person narrative, Marcello Di Cintio shares tea with Saharan refugees on the wrong side of Morocco's desert wall. He meets with illegal ... Walls: Travels Along the Barricades by Marcello Di Cintio Aug 10, 2013 — A tour of the world's most disputed border areas becomes a forceful study in human suffering, writes Anthony Sattin. Walls: Travels Along the Barricades - Marcello Di Cintio In this ambitious blend of travel and reportage, Marcello Di Cintio travels to the world's most disputed edges to meet the people who live alongside the ... Walls Aug 20, 2013 — Marcello Di Cintio is the author of four books

including Walls: Travels Along the Barricades which won the Shaughnessy Cohen Prize for Political ... Walls ... Travel Book Award. Reviews. "Walls: Travels Along the Barricades offers unique perspectives on some of the most divided regions of the planet while forcing ... Walls: Travels Along the Barricades Aug 20, 2013 — What does it mean to live against a wall? In this ambitious first person narrative, Marcello Di Cintio travels to the world's most disputed ... Walls : travels along the barricades : Di Cintio, Marcello, 1973 May 6, 2021 — A line drawing of the Internet Archive headquarters building façade.

Human Anatomy & Physiology Laboratory Manual Our resource for Human Anatomy & Physiology Laboratory Manual includes answers to chapter exercises, as well as detailed information to walk you through the ... Anatomy & Physiology Lab Manuals ANSWER KEYS Request your answer keys for the Anatomy & Physiology Lab Manuals. Anatomy & Physiology Lab Manual - Exercise 1 (The ... Check my page for more answers to the questions from the Anatomy and Physiology lab manual! (These answers come from the sixth edition manual.) High School Lab Manual Answer Key This NEW Laboratory Manual is ideal for the high school classroom. It has 28 hands-on laboratory activities to complement any Anatomy & Physiology course or ... AP1 Lab Manual_Answers - Anatomy and Physiology ... AP1 Lab Manual_Answers ; Anatomy & ; Lab 1: Body Plan and Homeostasis ; Objectives for this Lab ; 1. Demonstrate correct anatomical position. ; 2. Use directional ... STEP BY STEP ANSWERS FOR HUMAN ANATOMY & ... Buy STEP BY STEP ANSWERS FOR HUMAN ANATOMY & PHYSIOLOGY LABORATORY MANUAL: CAT VERSION, 12th edition: Read Kindle Store Reviews - Amazon.com. Anatomy and physiology lab manual answers exercise 2 Anatomy and physiology lab manual exercise 29 answers. Human anatomy and physiology lab manual exercise 21 answers. CENTER FOR OPEN EDUCATION | The Open ... Answer Key for Use with Laboratory Manual for Anatomy & ... Answer Key for Use with Laboratory Manual for Anatomy & Physiology and Essentials of Human Anatomy and Physiology Laboratory Manual - Softcover ... Human Anatomy & Physiology Laboratory Manual, Main ... Study Frequently asked questions. What are Chegg Study step-by-step Human Anatomy & Physiology Laboratory Manual, Main Version 11th Edition Solutions Manuals? Human Anatomy & Physiology Laboratory Manual, Main ... Guided explanations and solutions for Marieb/Smith's Human Anatomy & Physiology Laboratory Manual, Main Version (12th Edition). Essentials of Economics by Hubbard, R. Glenn Hubbard & O'Brien is the only book that motivates students to learn economics through real business examples. The #1 question students of economics ask ... Essentials of Economics by Hubbard, R. Glenn Edition: 2nd Edition. About this title. Synopsis: Hubbard & O'Brien is the only book that motivates students to learn economics through real business examples. Hubbard & OBrien, Essentials of Economics Features. Hubbard & O'Brien is the only book that motivates students to learn economics through real business examples. "How are your students' basic problem ... By R. Glenn Hubbard, Anthony P. O'Brien: Essentials of ... By R. Glenn Hubbard, Anthony P. O'Brien: Essentials of Economics (2nd Edition) Second (2nd) Edition · Buy New. \$493.68\$493.68. \$3.99 delivery: Jan 10 - 17. Ships ... Essentials of Economics book by R. Glenn Hubbard Buy a cheap copy of Essentials of Economics book by R. Glenn ... Microeconomics for Business (Second

Custom Edition for University of Southern California). Essentials Economics by Glenn Hubbard Essentials of Economics (4th Edition) (Pearson Series in Economics). O'Brien, Anthony P., Hubbard, R. Glenn. ISBN 13: 9780133543391. Seller: HPB-Red Essentials of Economics Buy Essentials of Economics by Professor R Glenn Hubbard, Anthony Patrick O'Brien (ISBN: 9780132309240) online at Alibris. Our marketplace offers millions ... R Glenn Hubbard | Get Textbooks Economics(2nd Edition) by Anthony Patrick O'brien, R. Glenn Hubbard, Glenn P. Hubbard, Anthony P. Obrien Hardcover, 1,168 Pages, Published 2007 by Prentice ... Essentials of economics / Hubbard, Garnett, Lewis, O'Brien Format: Book ; Author: Hubbard, R. Glenn, author ; Edition: 2nd edition. ; Description: Frenchs Forest, NSW : Pearson Australia, [2013]; ©2013; xxxi, 644 pages : ... Essentials of Economics | Dirk Mateer, Lee Coppock, Brian ... The Second Edition text has an example-driven approach to teaching what economists do, answers the personal finance and life questions on students' minds, and ...