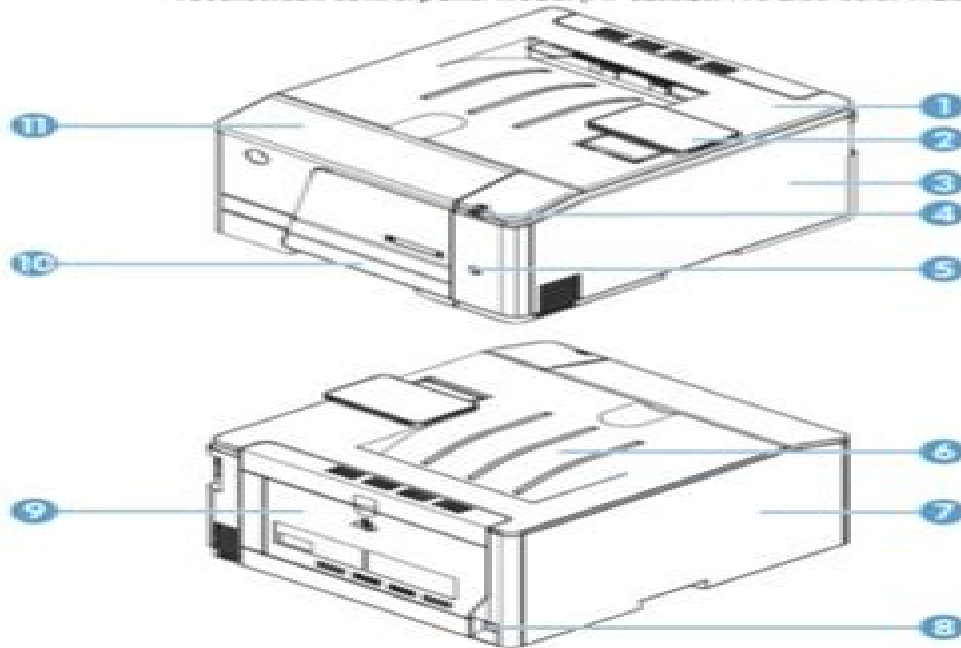


Touchscreen control-panel model HP LaserJet Pro 200 color M251nw Printer

Touchscreen control-panel model (HP LaserJet Pro 200 color M251nw Printer)



Item	Description	Item	Description
1	Upper cover	7	Left cover
2	Control panel	8	Power receptacle
3	Right cover	9	Rear door
4	USB port	10	Cassette
5	Power switch	11	Front door
6	Output bin		

Hp M251nw Service Manual

**Nissan Jidōsha Kabushiki Kaisha.
Export Service Department**

Hp M251nw Service Manual:

This is likewise one of the factors by obtaining the soft documents of this **Hp M251nw Service Manual** by online. You might not require more era to spend to go to the book start as without difficulty as search for them. In some cases, you likewise attain not discover the statement Hp M251nw Service Manual that you are looking for. It will categorically squander the time.

However below, when you visit this web page, it will be as a result categorically simple to acquire as well as download guide Hp M251nw Service Manual

It will not acknowledge many become old as we explain before. You can attain it while deed something else at home and even in your workplace. so easy! So, are you question? Just exercise just what we have enough money under as well as review **Hp M251nw Service Manual** what you like to read!

https://staging.conocer.cide.edu/results/uploaded-files/Download_PDFS/Mcgraw_Hill_Pre_Calculus.pdf

Table of Contents Hp M251nw Service Manual

1. Understanding the eBook Hp M251nw Service Manual
 - The Rise of Digital Reading Hp M251nw Service Manual
 - Advantages of eBooks Over Traditional Books
2. Identifying Hp M251nw Service Manual
 - Exploring Different Genres
 - Considering Fiction vs. Non-Fiction
 - Determining Your Reading Goals
3. Choosing the Right eBook Platform
 - Popular eBook Platforms
 - Features to Look for in an Hp M251nw Service Manual
 - User-Friendly Interface
4. Exploring eBook Recommendations from Hp M251nw Service Manual

- Personalized Recommendations
 - Hp M251nw Service Manual User Reviews and Ratings
 - Hp M251nw Service Manual and Bestseller Lists
5. Accessing Hp M251nw Service Manual Free and Paid eBooks
 - Hp M251nw Service Manual Public Domain eBooks
 - Hp M251nw Service Manual eBook Subscription Services
 - Hp M251nw Service Manual Budget-Friendly Options
 6. Navigating Hp M251nw Service Manual eBook Formats
 - ePub, PDF, MOBI, and More
 - Hp M251nw Service Manual Compatibility with Devices
 - Hp M251nw Service Manual Enhanced eBook Features
 7. Enhancing Your Reading Experience
 - Adjustable Fonts and Text Sizes of Hp M251nw Service Manual
 - Highlighting and Note-Taking Hp M251nw Service Manual
 - Interactive Elements Hp M251nw Service Manual
 8. Staying Engaged with Hp M251nw Service Manual
 - Joining Online Reading Communities
 - Participating in Virtual Book Clubs
 - Following Authors and Publishers Hp M251nw Service Manual
 9. Balancing eBooks and Physical Books Hp M251nw Service Manual
 - Benefits of a Digital Library
 - Creating a Diverse Reading Collection Hp M251nw Service Manual
 10. Overcoming Reading Challenges
 - Dealing with Digital Eye Strain
 - Minimizing Distractions
 - Managing Screen Time
 11. Cultivating a Reading Routine Hp M251nw Service Manual
 - Setting Reading Goals Hp M251nw Service Manual
 - Carving Out Dedicated Reading Time
 12. Sourcing Reliable Information of Hp M251nw Service Manual

- Fact-Checking eBook Content of Hp M251nw Service Manual
 - Distinguishing Credible Sources
13. Promoting Lifelong Learning
- Utilizing eBooks for Skill Development
 - Exploring Educational eBooks
14. Embracing eBook Trends
- Integration of Multimedia Elements
 - Interactive and Gamified eBooks

Hp M251nw Service Manual Introduction

In the digital age, access to information has become easier than ever before. The ability to download Hp M251nw Service Manual has revolutionized the way we consume written content. Whether you are a student looking for course material, an avid reader searching for your next favorite book, or a professional seeking research papers, the option to download Hp M251nw Service Manual has opened up a world of possibilities. Downloading Hp M251nw Service Manual provides numerous advantages over physical copies of books and documents. Firstly, it is incredibly convenient. Gone are the days of carrying around heavy textbooks or bulky folders filled with papers. With the click of a button, you can gain immediate access to valuable resources on any device. This convenience allows for efficient studying, researching, and reading on the go. Moreover, the cost-effective nature of downloading Hp M251nw Service Manual has democratized knowledge. Traditional books and academic journals can be expensive, making it difficult for individuals with limited financial resources to access information. By offering free PDF downloads, publishers and authors are enabling a wider audience to benefit from their work. This inclusivity promotes equal opportunities for learning and personal growth. There are numerous websites and platforms where individuals can download Hp M251nw Service Manual. These websites range from academic databases offering research papers and journals to online libraries with an expansive collection of books from various genres. Many authors and publishers also upload their work to specific websites, granting readers access to their content without any charge. These platforms not only provide access to existing literature but also serve as an excellent platform for undiscovered authors to share their work with the world. However, it is essential to be cautious while downloading Hp M251nw Service Manual. Some websites may offer pirated or illegally obtained copies of copyrighted material. Engaging in such activities not only violates copyright laws but also undermines the efforts of authors, publishers, and researchers. To ensure ethical downloading, it is advisable to utilize reputable websites that prioritize the legal distribution of content. When downloading Hp M251nw Service Manual, users should also consider the potential security risks associated with online

platforms. Malicious actors may exploit vulnerabilities in unprotected websites to distribute malware or steal personal information. To protect themselves, individuals should ensure their devices have reliable antivirus software installed and validate the legitimacy of the websites they are downloading from. In conclusion, the ability to download Hp M251nw Service Manual has transformed the way we access information. With the convenience, cost-effectiveness, and accessibility it offers, free PDF downloads have become a popular choice for students, researchers, and book lovers worldwide. However, it is crucial to engage in ethical downloading practices and prioritize personal security when utilizing online platforms. By doing so, individuals can make the most of the vast array of free PDF resources available and embark on a journey of continuous learning and intellectual growth.

FAQs About Hp M251nw Service Manual Books

What is a Hp M251nw Service Manual PDF? A PDF (Portable Document Format) is a file format developed by Adobe that preserves the layout and formatting of a document, regardless of the software, hardware, or operating system used to view or print it. **How do I create a Hp M251nw Service Manual PDF?** There are several ways to create a PDF: Use software like Adobe Acrobat, Microsoft Word, or Google Docs, which often have built-in PDF creation tools. Print to PDF: Many applications and operating systems have a "Print to PDF" option that allows you to save a document as a PDF file instead of printing it on paper. Online converters: There are various online tools that can convert different file types to PDF. **How do I edit a Hp M251nw Service Manual PDF?** Editing a PDF can be done with software like Adobe Acrobat, which allows direct editing of text, images, and other elements within the PDF. Some free tools, like PDFescape or Smallpdf, also offer basic editing capabilities. **How do I convert a Hp M251nw Service Manual PDF to another file format?** There are multiple ways to convert a PDF to another format: Use online converters like Smallpdf, Zamzar, or Adobe Acrobats export feature to convert PDFs to formats like Word, Excel, JPEG, etc. Software like Adobe Acrobat, Microsoft Word, or other PDF editors may have options to export or save PDFs in different formats. **How do I password-protect a Hp M251nw Service Manual PDF?** Most PDF editing software allows you to add password protection. In Adobe Acrobat, for instance, you can go to "File" -> "Properties" -> "Security" to set a password to restrict access or editing capabilities. Are there any free alternatives to Adobe Acrobat for working with PDFs? Yes, there are many free alternatives for working with PDFs, such as: LibreOffice: Offers PDF editing features. PDFsam: Allows splitting, merging, and editing PDFs. Foxit Reader: Provides basic PDF viewing and editing capabilities. How do I compress a PDF file? You can use online tools like Smallpdf, ILovePDF, or desktop software like Adobe Acrobat to compress PDF files without significant quality loss. Compression reduces the file size, making it easier to share and download. Can I fill out forms in a PDF file? Yes, most PDF viewers/editors like Adobe Acrobat,

Preview (on Mac), or various online tools allow you to fill out forms in PDF files by selecting text fields and entering information. Are there any restrictions when working with PDFs? Some PDFs might have restrictions set by their creator, such as password protection, editing restrictions, or print restrictions. Breaking these restrictions might require specific software or tools, which may or may not be legal depending on the circumstances and local laws.

Find Hp M251nw Service Manual :

[mcgraw hill pre calculus](#)

[mcculloch mac 120 chainsaw repair manual](#)

[mcculloch 310 parts manual](#)

[mcculloch eager beaver 250 chainsaw manual](#)

mcgraw hill guided activities answers

[mcgraw hill early europe teacher guide](#)

mcgraw answer key sat math

~~[mcgraw hill guided activity answers world history](#)~~

mcgraw hill guide college writers 2015

mcgraw hill guided activity answer key

[mcdougal geometry chapter 10 test answers](#)

~~[mcdougal world history chapter summaries](#)~~

[mcgraw lab manual for microbiology](#)

mcdonald r l derivatives markets addison wesley 2006 2nd edition

mcdougal algebra test b assessment

Hp M251nw Service Manual :

experience certificate format samples contract jobs - Jun 13 2023

web oct 8 2021 8 55 am an experience certificate is given to you by your employer or hr personnel when you decide to leave the company the content of the experience certificate will include your designation date of joining and last date of employment as well as your roles and responsibilities in brief

[sales executives experience certificates in word format](#) - Jul 14 2023

web experience certificates of sales executives will help them in getting better jobs and to get better job positions a good

experience certificate will remain an asset to every employee here are some best sales work experience certificates that can be downloaded in word

jobdescriptionsandduties com - Feb 26 2022

web jobdescriptionsandduties com

10 free experience certificate sample example best letter - Oct 05 2022

web mar 18 2020 experience certificate be it academic or work things and skills that you learn earn and grow with are counted as an experience that you take along all your life the experience you take along acknowledges the skills ethics habits professionalism and all about the person for whom the experience is referred about

experience certificate template pdf templates jotform - Feb 09 2023

web experience certificate template help an employee and prove the legitimacy of his or her work experience in the company by using this experience certificate template this document will be helpful when he or she applies to another company

experience certificate 18 examples format pdf - Sep 04 2022

web how to make an experience certificate here is a short guide on how you can make a comprehensible experience certificate 1 indicate date of issuance the date of issuance should be indicated on the right side of the page depending on your location or preferred format by the company the date can be in an american english style month date year

sample experience letter format for sales representative - Dec 27 2021

web designation another format experience letter for sales representative to whom it may concern this is certifying that employee name s o date of birth and parents name is currently working with us in company organization name from date till date as a sales representative job designation

text of sales executive experience certificate pdf pdfslide net - Mar 30 2022

web sales negotiation experience would be advantageous searching for sales executive work experience certificate sample looking for complete professional format work experience letter for sample and format of experience letter for sales representative sales executive sales assistant sales and marketing sales officer salesperson sales

free work experience certificate templates adobe express - Jul 02 2022

web free work experience certificate templates adobe express editable free work experience certificate templates explore our work experience certificate templates to help you easily create your own design online in minutes home templates certificate work experience certificate 0 work experience certificate templates filter sort

7 best certifications to advance your sales career pipedrive - Nov 06 2022

web wondering if it s worth getting a sales certification here are seven professional sales certifications that can help advance your career

experience certificate format download format samples - Aug 03 2022

web this article explains the importance of the experience certificate you ll also learn the correct way of writing the work experience certificate letter and some great samples of work experience certificate formats

experience letter for sales representative executive - Apr 30 2022

web sample and format of experience letter for sales representative sales executive sales assistant sales and marketing sales officer salesperson sales coordinator and consultant you need to change and put your designation in the below letter and then print the company letterhead your letter would be ready

experience certificate formats samples and how to write an - May 12 2023

web feb 16 2023 sample experience certificates the following are samples of experience certificates that can be used as per your requirements kindly ensure that all the aforementioned guidelines are followed to make it an effective experience letter sample 1 work experience certificate format

5 best sales experience certificate templates editable - Aug 15 2023

web may 11 2022 appreciation in the form of certificates and awards boosts the morale of a salesperson sample text contents of a sales experience certificate are usually similar regardless of their parent company or job description a sample sales experience certificate is provided below name of organization company logo of organisation to

36 experience certificate templates pdf google docs ai - Dec 07 2022

web as long as you have experience in your previous job you can download and use this simple certificate templates in pdf to indicate those experiences the purpose of the template is to make certificate preparation simple and straightforward

how to write a work experience certificate with examples - Mar 10 2023

web oct 11 2022 discover what a work experience certificate is understand the steps required to write one and explore a template and example to help you write a certificate

sales experience certificate letter word excel templates - Apr 11 2023

web jun 23 2022 if you want to write the experience certificate like a professional you can follow the sample a sample letter of participation as a sales representative has been given below this sample can help you write a winning certificate that can help the subject in his her career sample sales experience letter to whom it may concern

what is sales experience resume interview examples zendesk - Jan 08 2023

web mar 8 2022 sales experience is any amount of time an individual spends convincing someone else to make a purchase those girl scouts selling cookies outside your local grocery store they ve got experience in sales so does the server who convinced you to buy that one slightly more expensive cocktail at dinner

top certifications for sales professionals indeed com - Jun 01 2022

web jul 27 2022 there are sales certifications for people with all levels of experience including entry level certifications and advanced programs many certifications include lesson plans and curriculum modules that you can use to gain the essential knowledge to pass the certification exam

experience letter for sales executive and other sales positions - Jan 28 2022

web apr 1 2014 general manager experience letter for sales executive to whom it may concern dear sir it is hereby certified that mr john has worked as sales executive for over three years in our company during his stay he has proved himself to be a valuable asset and dutiful person to the company

action anglais 3e lv2 cahier d activita c s pdf - Oct 02 2023

web action anglais 3e lv2 cahier d activita c s call research perspectives joy l egbert 2006 04 21 this work creates a foundation for the study and practice of computer assisted language learning and provides an overview of ways to conceptualize and to conduct research in call it posits that all approaches to research have a

50 activités en anglais au cycle 2 primlangues education - Jun 17 2022

web 50 activités en anglais au cycle 2 se donne pour objectif premier d aider les enseignants à mettre en place des enseignements de langue dès le cours préparatoire en raison de la récente extension des apprentissages de langues vivantes au cycle 2 le public visé celui des enfants de cycle 2 cp ce1 présente la caractéristique de commencer

action anglais 3e lv2 cahier d activita c s full pdf rchat - Aug 20 2022

web action anglais 3e lv2 cahier d activita c s getting the books action anglais 3e lv2 cahier d activita c s now is not type of inspiring means you could not isolated going next ebook store or library or borrowing from your associates to read them this is an very simple means to specifically acquire lead by on line this online revelation

action anglais 3e lv2 cahier d activités by bernard lacoste - Nov 22 2022

web jul 2 2023 action anglais 3e lv2 cahier d activités by bernard lacoste online book library thewritings book blogger 3 28 3 home erog3 id top secure fnac april 16th 2020 delf b1 200 activita s livre corriga s cd audio ra ussir son business plan 3e a d ma thodes outils et astuces gestion finance passeport anglais lv1 de la 6e a la 5e 11 12 ans

action anglais 3e lv2 cahier d activita c s book - Apr 27 2023

web action anglais 3e lv2 cahier d activita c s un an de nouveautés oct 13 2020 tout l allemand 6e 5e lv1 5e 4e 3e lv2 jan 16 2021 un cahier un cd audio des bandes dessinées pour progresser très vite à l oral comme à l écrit tout le programme d allemand de la 6e 5e lv1 et de la 5e 4e 3e lv2 en vingt

saison 3 cahier d activités b1 langages direct - Mar 15 2022

web saison 3 cahier d activités b1 paperback 144 pages workbook audio cd saison is a brand new four level french course for adults and covers levels a1 to b2 of the common european framework of reference for languages cefr the fourth level b2 is

still in preparation the series encourages dynamic progression whilst developing vocabulary

action anglais 3e lv2 cahier d activités paperback - Sep 01 2023

web action anglais 3e lv2 cahier d activités on amazon com au free shipping on eligible orders action anglais 3e lv2 cahier d activités

action anglais 3e lv2 cahier d activita c s pdf 2023 live hubitat - Feb 11 2022

web action anglais 3e lv2 cahier d activita c s pdf upload mia r williamson 2 4 downloaded from live hubitat com on october 20 2023 by mia r williamson mcda professor bernard roy has had considerable influence on the development of these two broad areas list part one contains papers by jacques lesourne

action anglais 3e lv2 cahier d activita c s 2022 legacy theoe - Jul 19 2022

web action anglais 3e lv2 cahier d activita c s 5 5 choice lonely planet french phrasebook dictionary a pocket sized comprehensive language guide provides on the go language assistance great for language students and travellers looking to interact with locals and immerse themselves in local culture about lonely planet started in 1973

apprendre l anglais cycle 3 méthode - Apr 15 2022

web descriptif le dossier pédagogique apprendre l anglais au cycle 3 propose une méthode d enseignement de l anglais en cm1 et cm2 au travers d activités prêtes à l emploi dans les 5 compétences du cecrl elle allège considérablement le travail de préparation de l enseignant et permet aux élèves d apprendre l anglais d une façon ludique et attractive

action anglais 3e lv2 cahier d activités by bernard lacoste - May 29 2023

web the elements by securing the digital files of this action anglais 3e lv2 cahier d activités by bernard lacoste by online so once you demand the books speedily you can straight get it merely said the action anglais 3e lv2 cahier d activités by bernard lacoste is widely congruent with any devices to browse

action anglais 3e lv2 cahier d activita c s graph safehousetech - Oct 22 2022

web action anglais 3e lv2 cahier d activita c s 3 3 juillet aout 2001 penguin young people around the world are increasingly able to access english language media online for leisure purposes and interact with other users of english this book examines the extent of these phenomena their effect on language acquisition and their

action anglais 3e lv2 cahier d activita c s uniport edu - Dec 24 2022

web action anglais 3e lv2 cahier d activita c s 2 8 downloaded from uniport edu ng on october 5 2023 by guest of our world s raging crises of displacement the international baccalaureate ian hill 2010 volume 4 dr ian hill deputy director general of the ib charts the history of the organisation and the goal to create develop and implement a truly

cours et programme d anglais 3ème schoolmouv - Jan 25 2023

web je me connecte révisez gratuitement les cours d anglais pour la classe de 3ème en vidéo fiches de cours quiz et exercices

[action anglais 3e lv2 cahier d activita c s full pdf askstage](#) - Feb 23 2023

web action anglais 3e lv2 cahier d activita c s 2019 07 19 levy richardson rosignols merles grives et autres insectivores bod books on demand la liste exhaustive des ouvrages disponibles publiés en langue française dans le monde la liste des éditeurs et la liste des collections de langue française the giant s causeway

action anglais 3e lv2 cahier d activita c s richard l allington - Mar 27 2023

web right here we have countless ebook action anglais 3e lv2 cahier d activita c s and collections to check out we additionally give variant types and in addition to type of the books to browse

action anglais 3e lv2 cahier d activita c s db csda - Jun 29 2023

web 4 action anglais 3e lv2 cahier d activita c s 2020 05 06 teachers who policed girls outfits to male coworkers who installed hidden cameras in women s restrooms but can her psychiatrist cure her or even discover what truly ails her a social treatise as well as a work of art alexandra alter new york times kim jiyoun born 1982

[action anglais 3e lv2 cahier d activita c s pdf uniport edu](#) - Jul 31 2023

web oct 2 2023 action anglais 3e lv2 cahier d activita c s 2 8 downloaded from uniport edu ng on october 2 2023 by guest director general of the ib charts the history of the organisation and the goal to create develop and implement a truly international curriculum and qualification languages in contact uriel weinreich 1979 01 01 this

[free action anglais 3e lv2 cahier d activita c s](#) - Sep 20 2022

web action anglais 3e lv2 cahier d activita c s espagnol 4e lv2 a1 a2 may 27 2022 un cahier pour réviser les points clés du programme d espagnol en 4e et s entraîner à son rythme à l écrit comme à l oral pour chaque point clé du programme de grammaire en

action anglais 3e lv2 cahier d activita c s download only - May 17 2022

web action anglais 3e lv2 cahier d activita c s 3 3 the contribution of jim cummins to bilingualism and bilingual education has been substantial and profound this reader provides a comprehensive compilation of his most important and influential texts the book also provides a detailed biographical introduction and a commentary on the growth of ideas

2020 amy knapp s big grid family organizer wall calendar - Dec 06 2022

web may 1 2019 buy 2020 amy knapp s family organizer august 2019 december 2020 by knapp amy isbn 9781492678519 from amazon s book store everyday low prices

2020 amy knapp s christian family organizer august 2019 - Jan 07 2023

web the essential 2020 big grid wall calendar and family planner to help you live your best momli 2020 amy knapp s big grid family organizer wall calendar august 2019

2020 amy knapp s family organizer august 2019 - Aug 14 2023

web may 1 2019 2020 amy knapp s family organizer august 2019 december 2020 parent tested and mom approved features more writing space than other planners on

2020 amy knapp s family organizer august 2019 december - Mar 29 2022

web may 1 2019 get free shipping on 2020 amy knapp s family organizer by amy knapp from wordery com helping you live your best momlife

2020 amy knapp s big grid family organizer wall calendar - Jul 13 2023

web may 1 2019 2020 amy knapp s big grid family organizer wall calendar august 2019 december 2020 knapp amy on amazon com free shipping on qualifying offers

amy knapp s story - Sep 22 2021

2020 amy knapp s family organizer august 2019 december - Oct 04 2022

web 2020 amy knapp s family organizer august 2019 december 2020 knapp amy amazon com au books

amy knapp author of amy knapp s family organizing - Nov 24 2021

web close try adfree self publishing discover

2020 amy knapp s the very busy planner august 2019 - Mar 09 2023

web may 1 2019 2020 amy knapp s the very busy planner august 2019 december 2020 calendar engagement calendar may 1 2019

2020 amy knapp s christian family organizer august 2019 - May 31 2022

web 2020 amy knapp s family organizer august 2019 december 2020 knapp amy amazon in books skip to main content in hello select your address books select the

2020 amy knapp s big grid family organizer wall calendar - Jun 12 2023

web 2020 amy knapp s big grid family organizer wall calendar august 2019 december 2020 knapp amy amazon com tr kitap download 2020 amy knapp yumpu - Oct 24 2021

web amy knapp was running a promotional marketing company when her daughter contracted meningitis at the age of two months realizing that her daughter was going to have

2020 amy knapp s family organizer august 2019 - Feb 08 2023

web the 1 national bestselling organizer to help you life your best momlife in faith check out 2020 amy knapp s christian family organizer august 2019 december 2020 by

2020 amy knapp s christian family organizer august - Apr 10 2023

web may 1 2019 2020 amy knapp s christian family organizer august 2019 december 2020 weekly prayer and praise

sections and uplifting spiritual quotes weekly and

2020 amy knapp s family organizer august 2019 december - Apr 29 2022

web buy 2020 amy knapp s family organizer august 2019 december 2020 by knapp amy online on amazon ae at best prices fast and free shipping free returns cash on delivery

2020 amy knapp s family organizer august 2019 december - Nov 05 2022

web may 1 2019 2020 amy knapp s family organizer august 2019 december 2020 knapp amy 9781492678519 books amazon ca

2020 amy knapp s big grid family organizer wall calendar - Aug 02 2022

web 2020 amy knapp s big grid family organizer wall calendar august 2019 december 2020 knapp amy amazon sg books

2020 amy knapp s family organizer august 2019 december 2020 - Dec 26 2021

web 2020 amy knapp s big grid family organizer wall calendar august 2019 december 2020

2020 amy knapp s big grid family organizer wall calendar - May 11 2023

web 2020 amy knapp s big grid family organizer wall calendar august 2019 december 2020 knapp amy amazon com au books

2020 amy knapp s the very busy planner august 2019 - Jan 27 2022

web buy 2020 amy knapp s family organizer august 2019 december 2020 others book by amy knapp from as low as 10 92 free shipping on all orders over 10 no coupon

2020 amy knapp s big grid family organizer wall calendar - Jul 01 2022

web 2020 amy knapp s christian family organizer august 2019 december 2020 knapp amy amazon com au books

2020 amy knapp s family organizer august 2019 december - Sep 03 2022

web may 1 2019 2020 amy knapp s big grid family organizer wall calendar august 2019 december 2020 knapp amy 0760789274978 books amazon ca

2020 amy knapp s family organizer august 2019 december 2020 - Feb 25 2022

web 2020 amy knapp s the very busy planner august 2019 december 2020 knapp amy amazon com au books