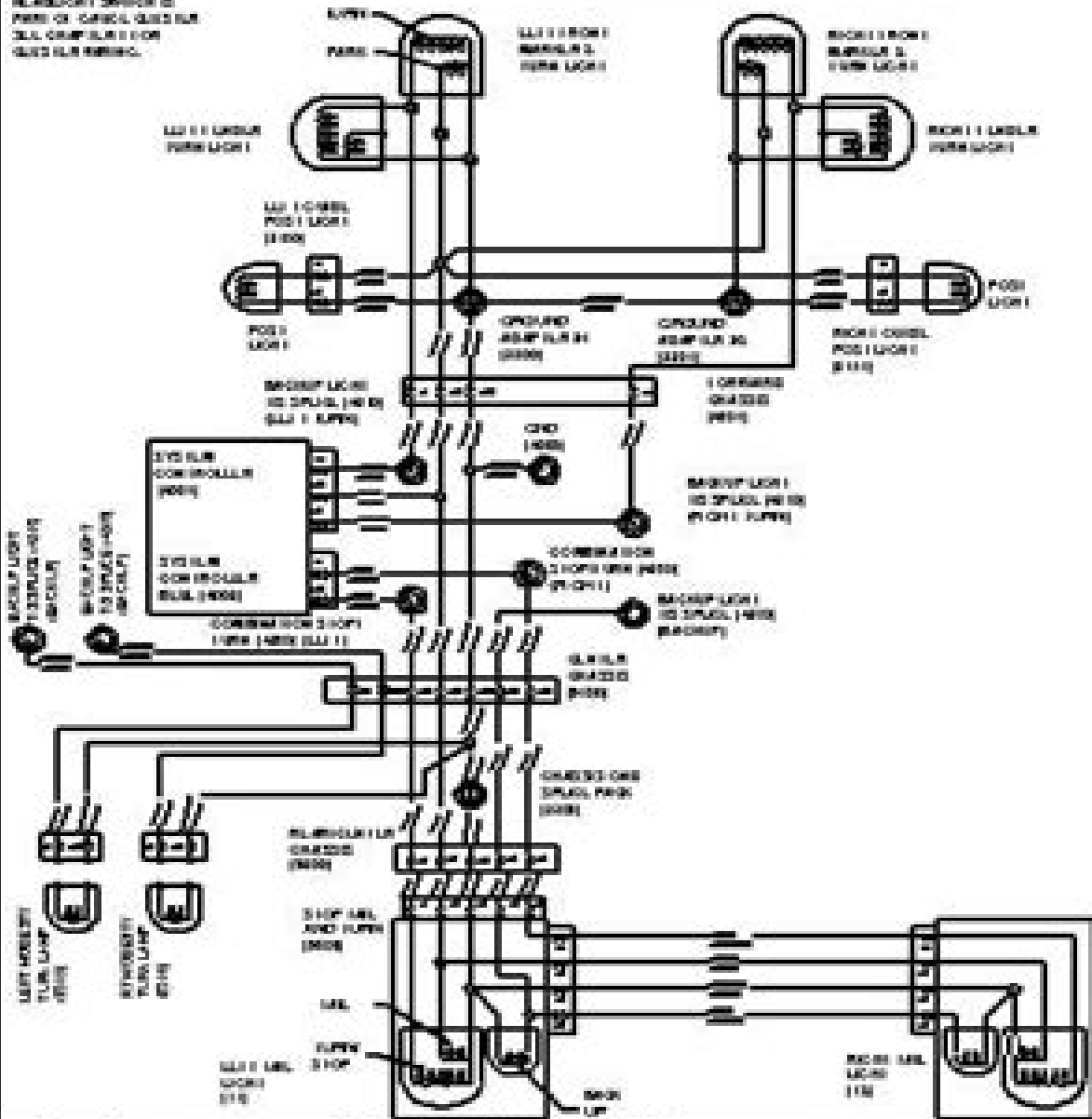


THIS PRINT IS PROVIDED ON A NON-GRANTED BASIS AND IS FOR INFORMATION ONLY. ANY REPLY OR INFORMATION CONCERNING THE CONTENTS OF THIS ORIGINAL DESIGN AND DRAWING CORPORATION.

LEFT SIDE LIGHTS - BALLAST, BURNER, FUSE, LABEL, TURN, & STOP LAMP

ILLUSTRATION SHOWS THE POSITION OF CIRCUIT BREAKER FOR ALL COMP. ILM 2 FOR THIS ILM DESIGN.



NO.	REV.	DESCRIPTION	DATE	BY	CHKD.	APP'D.	REVISIONS
1	1	ISSUED FOR THE ILM DESIGN	10/15/54	W. J. B.			
2	1	ISSUED FOR THE ILM DESIGN	10/15/54	W. J. B.			

# International 47brake Light Wiring Diagram

**Joacim Rocklöv**



**International 47brake Light Wiring Diagram:**

Ignite the flame of optimism with Crafted by is motivational masterpiece, Fuel Your Spirit with **International 47brake Light Wiring Diagram** . In a downloadable PDF format ( PDF Size: \*), this ebook is a beacon of encouragement. Download now and let the words propel you towards a brighter, more motivated tomorrow.

<https://staging.conocer.cide.edu/About/detail/default.aspx/in%20the%20witchs%20kitchen%20poems%20for%20halloween.pdf>

## **Table of Contents International 47brake Light Wiring Diagram**

1. Understanding the eBook International 47brake Light Wiring Diagram
  - The Rise of Digital Reading International 47brake Light Wiring Diagram
  - Advantages of eBooks Over Traditional Books
2. Identifying International 47brake Light Wiring Diagram
  - Exploring Different Genres
  - Considering Fiction vs. Non-Fiction
  - Determining Your Reading Goals
3. Choosing the Right eBook Platform
  - Popular eBook Platforms
  - Features to Look for in an International 47brake Light Wiring Diagram
  - User-Friendly Interface
4. Exploring eBook Recommendations from International 47brake Light Wiring Diagram
  - Personalized Recommendations
  - International 47brake Light Wiring Diagram User Reviews and Ratings
  - International 47brake Light Wiring Diagram and Bestseller Lists
5. Accessing International 47brake Light Wiring Diagram Free and Paid eBooks
  - International 47brake Light Wiring Diagram Public Domain eBooks
  - International 47brake Light Wiring Diagram eBook Subscription Services
  - International 47brake Light Wiring Diagram Budget-Friendly Options

6. Navigating International 47brake Light Wiring Diagram eBook Formats
  - ePub, PDF, MOBI, and More
  - International 47brake Light Wiring Diagram Compatibility with Devices
  - International 47brake Light Wiring Diagram Enhanced eBook Features
7. Enhancing Your Reading Experience
  - Adjustable Fonts and Text Sizes of International 47brake Light Wiring Diagram
  - Highlighting and Note-Taking International 47brake Light Wiring Diagram
  - Interactive Elements International 47brake Light Wiring Diagram
8. Staying Engaged with International 47brake Light Wiring Diagram
  - Joining Online Reading Communities
  - Participating in Virtual Book Clubs
  - Following Authors and Publishers International 47brake Light Wiring Diagram
9. Balancing eBooks and Physical Books International 47brake Light Wiring Diagram
  - Benefits of a Digital Library
  - Creating a Diverse Reading Collection International 47brake Light Wiring Diagram
10. Overcoming Reading Challenges
  - Dealing with Digital Eye Strain
  - Minimizing Distractions
  - Managing Screen Time
11. Cultivating a Reading Routine International 47brake Light Wiring Diagram
  - Setting Reading Goals International 47brake Light Wiring Diagram
  - Carving Out Dedicated Reading Time
12. Sourcing Reliable Information of International 47brake Light Wiring Diagram
  - Fact-Checking eBook Content of International 47brake Light Wiring Diagram
  - Distinguishing Credible Sources
13. Promoting Lifelong Learning
  - Utilizing eBooks for Skill Development
  - Exploring Educational eBooks
14. Embracing eBook Trends
  - Integration of Multimedia Elements

- Interactive and Gamified eBooks

### **International 47brake Light Wiring Diagram Introduction**

Free PDF Books and Manuals for Download: Unlocking Knowledge at Your Fingertips In today's fast-paced digital age, obtaining valuable knowledge has become easier than ever. Thanks to the internet, a vast array of books and manuals are now available for free download in PDF format. Whether you are a student, professional, or simply an avid reader, this treasure trove of downloadable resources offers a wealth of information, conveniently accessible anytime, anywhere. The advent of online libraries and platforms dedicated to sharing knowledge has revolutionized the way we consume information. No longer confined to physical libraries or bookstores, readers can now access an extensive collection of digital books and manuals with just a few clicks. These resources, available in PDF, Microsoft Word, and PowerPoint formats, cater to a wide range of interests, including literature, technology, science, history, and much more. One notable platform where you can explore and download free International 47brake Light Wiring Diagram PDF books and manuals is the internet's largest free library. Hosted online, this catalog compiles a vast assortment of documents, making it a veritable goldmine of knowledge. With its easy-to-use website interface and customizable PDF generator, this platform offers a user-friendly experience, allowing individuals to effortlessly navigate and access the information they seek. The availability of free PDF books and manuals on this platform demonstrates its commitment to democratizing education and empowering individuals with the tools needed to succeed in their chosen fields. It allows anyone, regardless of their background or financial limitations, to expand their horizons and gain insights from experts in various disciplines. One of the most significant advantages of downloading PDF books and manuals lies in their portability. Unlike physical copies, digital books can be stored and carried on a single device, such as a tablet or smartphone, saving valuable space and weight. This convenience makes it possible for readers to have their entire library at their fingertips, whether they are commuting, traveling, or simply enjoying a lazy afternoon at home. Additionally, digital files are easily searchable, enabling readers to locate specific information within seconds. With a few keystrokes, users can search for keywords, topics, or phrases, making research and finding relevant information a breeze. This efficiency saves time and effort, streamlining the learning process and allowing individuals to focus on extracting the information they need. Furthermore, the availability of free PDF books and manuals fosters a culture of continuous learning. By removing financial barriers, more people can access educational resources and pursue lifelong learning, contributing to personal growth and professional development. This democratization of knowledge promotes intellectual curiosity and empowers individuals to become lifelong learners, promoting progress and innovation in various fields. It is worth noting that while accessing free International 47brake Light Wiring Diagram PDF books and manuals is convenient and cost-effective, it is vital to respect copyright laws and intellectual property rights. Platforms offering free

downloads often operate within legal boundaries, ensuring that the materials they provide are either in the public domain or authorized for distribution. By adhering to copyright laws, users can enjoy the benefits of free access to knowledge while supporting the authors and publishers who make these resources available. In conclusion, the availability of International 47brake Light Wiring Diagram free PDF books and manuals for download has revolutionized the way we access and consume knowledge. With just a few clicks, individuals can explore a vast collection of resources across different disciplines, all free of charge. This accessibility empowers individuals to become lifelong learners, contributing to personal growth, professional development, and the advancement of society as a whole. So why not unlock a world of knowledge today? Start exploring the vast sea of free PDF books and manuals waiting to be discovered right at your fingertips.

### FAQs About International 47brake Light Wiring Diagram Books

**What is a International 47brake Light Wiring Diagram PDF?** A PDF (Portable Document Format) is a file format developed by Adobe that preserves the layout and formatting of a document, regardless of the software, hardware, or operating system used to view or print it. **How do I create a International 47brake Light Wiring Diagram PDF?** There are several ways to create a PDF: Use software like Adobe Acrobat, Microsoft Word, or Google Docs, which often have built-in PDF creation tools. Print to PDF: Many applications and operating systems have a "Print to PDF" option that allows you to save a document as a PDF file instead of printing it on paper. Online converters: There are various online tools that can convert different file types to PDF. **How do I edit a International 47brake Light Wiring Diagram PDF?** Editing a PDF can be done with software like Adobe Acrobat, which allows direct editing of text, images, and other elements within the PDF. Some free tools, like PDFescape or Smallpdf, also offer basic editing capabilities. **How do I convert a International 47brake Light Wiring Diagram PDF to another file format?** There are multiple ways to convert a PDF to another format: Use online converters like Smallpdf, Zamzar, or Adobe Acrobats export feature to convert PDFs to formats like Word, Excel, JPEG, etc. Software like Adobe Acrobat, Microsoft Word, or other PDF editors may have options to export or save PDFs in different formats. **How do I password-protect a International 47brake Light Wiring Diagram PDF?** Most PDF editing software allows you to add password protection. In Adobe Acrobat, for instance, you can go to "File" -> "Properties" -> "Security" to set a password to restrict access or editing capabilities. Are there any free alternatives to Adobe Acrobat for working with PDFs? Yes, there are many free alternatives for working with PDFs, such as: LibreOffice: Offers PDF editing features. PDFsam: Allows splitting, merging, and editing PDFs. Foxit Reader: Provides basic PDF viewing and editing capabilities. How do I compress a PDF file? You can use online tools like Smallpdf, ILovePDF, or desktop software like Adobe Acrobat to compress PDF files without significant quality loss. Compression reduces the file size, making it easier to share

and download. Can I fill out forms in a PDF file? Yes, most PDF viewers/editors like Adobe Acrobat, Preview (on Mac), or various online tools allow you to fill out forms in PDF files by selecting text fields and entering information. Are there any restrictions when working with PDFs? Some PDFs might have restrictions set by their creator, such as password protection, editing restrictions, or print restrictions. Breaking these restrictions might require specific software or tools, which may or may not be legal depending on the circumstances and local laws.

### **Find International 47brake Light Wiring Diagram :**

[in the witchs kitchen poems for halloween](#)

[in single strictness](#)

[in the service of my queen](#)

[in the nineties](#)

**[in the dark streets shining](#)**

[in the lords service](#)

[in the absence of towns settlement and country trade in southside virginia 1730-1800](#)

[in such a night](#)

*[in the solitude of cotton fields](#)*

[in the course of human events essays in american government](#)

*[in the record the simeon stylites columns of william a. caldwell](#)*

[in the real world reading and listening speaking and writing](#)

[in the shadow of the cross.](#)

[in the desert](#)

[in the light of dying journals of a hospice volunteer](#)

### **International 47brake Light Wiring Diagram :**

**koperasi simpan pinjam pengertian dan perhitungan bunga** - May 16 2023

web jul 20 2022 selain mendapatkan dana pinjaman orang orang juga bisa menikmati imbal hasil dengan menyimpan dana yang dimilikinya di koperasi simpan pinjam dalam hal ini koperasi simpan pinjam memiliki prinsip sama seperti bank yaitu memberikan imbal hasil berupa bunga koperasi simpan pinjam setiap bulan

[bagaimana sistem koperasi simpan pinjam bibit artikel](#) - Mar 14 2023



web jan 1 2021 pembagian shu sebagai suntikan dana segar bagi anggota yang berkontribusi aktif di koperasi simpan pinjam pengelolaan dana simpanan atau tabungan anggota sebagai salah satu bentuk investasi sebagai stimulus agar timbul hasrat untuk menyimpan atau menabung di koperasi langkah langkah mengajukan pinjaman di [koperasi simpan pinjam pengertian contoh fungsi dan](#) - Jul 18 2023

web dec 24 2022 koperasi simpan pinjam adalah lembaga keuangan mikro yang bisnisnya terdiri dari mengambil simpanan dan membuat pinjaman modal hal ini sesuai dengan pasal 19 peraturan pemerintah no 9 tahun 1995 yang menyatakan bahwa dua kegiatan utama koperasi simpan pinjam adalah penghimpunan simpanan bersama simpanan **pdf sistem informasi koperasi simpan pinjam** - Jul 06 2022

web apr 14 2020 abstract koperasi simpan pinjam bina usaha adalah koperasi yang melayani simpan pinjam uang bagi masyarakat yang membutuhkannya koperasi bina usaha berdiri sejak tahun 2015 di **koperasi simpan pinjam pengertian contoh dan fungsinya** - Sep 20 2023

web mar 21 2021 koperasi simpan pinjam adalah lembaga keuangan bukan bank dengan kegiatan usaha menerima simpanan dan memberikan pinjaman uang kepada anggotanya pengertian koperasi simpan pinjam termasuk contoh koperasi simpan pinjam sudah diatur dalam peraturan otoritas jasa keuangan pojk nomor 5 tahun 2014 tentang *rasio wirausaha ri masih 3 47 persen bisa jadi negara maju* - Oct 29 2021

web nov 17 2023 padahal tahun depan rasio ini diharapkan tumbuh menjadi 3 9 persen dan meningkat signifikan di level 12 persen untuk mencapai indonesia maju 2045 untuk menjadi negara maju 2045 salah satu syaratnya tingkat rasio usaha mencapai 12 persen tapi sampai saat ini rasionya baru mencapai 3 47 persen ucap sekretaris kementerian [sistem informasi koperasi simpan pinjam akuntansi dengan](#) - Sep 08 2022

web koperasi simpan pinjam bina usaha adalah koperasi yang melayani simpan pinjam uang bagi masyarakat yang membutuhkannya koperasi bina usaha berdiri sejak tahun 2015 di kabupaten ngawi **ksp maju wijaya pinjaman dari lpdb kumkm dimanfaatkan** - Nov 10 2022

web nov 25 2022 jakarta bisnistoday koperasi simpan pinjam ksp maju wijaya turut mendukung upaya pemulihan ekonomi nasional akibat dampak pandemi covid 19 melalui social media bisnistoday co id monday 13 november 2023 melalui aplikasi mobile koperasi maju kata hendwi **koperasi simpan pinjam bina usaha maju plus website** - Aug 19 2023

web koperasi simpan pinjam bina usaha maju plus sistem elektronik saku maju *kemenkop ukm sidak 20 pinjol ilegal berkedok koperasi simpan pinjam* - Feb 01 2022

web nov 17 2021 diberitakan kompas com 29 oktober 2021 deputi perkoperasian kemenkop ukm melakukan penelusuran ke alamat yang digunakan oleh koperasi simpan pinjam solusi andalan bersama sab sebagai alamat kantor di kawasan jl letjen s

parman slipi jakarta barat berdasarkan hasil sidak tersebut tidak

**hubungi kami koperasi maju** - Mar 02 2022

web koperasi simpan pinjam ksp maju wijaya memberikan pelayanan terbaik bagi anda dengan jam operasional sebagai berikut senin jumat 08 00 17 00 wib sabtu minggu dan hari besar libur

**rencana kerja dan rencana anggaran pendapatan 2022 pdf** - Nov 29 2021

web jasa simpan pinjam 1 128 000 000 1 259 816 353 1 290 000 000 2 jasa pelunasan dengan harapan semoga allah swt meridloi setiap usaha kita sehingga koperasi ikhlas dapat lebih maju dan berkembang lagi di masa yang akan datang bumdes bina persada bumdes bina persada abdullah amin soal tes staff pajak 2021

*simak contoh soal pembahasan shu koperasi simpan pinjam* - May 04 2022

web jun 19 2017 soal 2 koperasi simpan pinjam solid bingitz pada tahun 2016 memperoleh shu sebesar rp 25 000 000 berdasarkan ad art shu dialokasikan untuk jasa simpanan 20 jasa pinjam 30 serta cadangan dan lainnya 50 data lainnya sebagai berikut simpanan pokok rp 4 000 000 simpanan wajib rp 56 000 000 simpanan

**perancangan pemantauan simpan pinjam koperasi berbasis** - Oct 09 2022

web mobile web studi kasus koperasi simpan pinjam bina maju abadi menyatakan dengan memanfaatkan teknologi berbasis web mobile akan meningkatkan kepercayaan dan transparansi terhadap pertumbuhan dan perkembangan koperasi karena setiap anggota dapat mengetahui melalui smartphone masing

*mekanisme pinjaman di koperasi simpan pinjam lebih untung* - Feb 13 2023

web aug 21 2019 layanan yang ditawarkan koperasi simpan pinjam koperasi simpan pinjam adalah lembaga keuangan yang menawarkan layanan peminjaman dan penyimpanan dana yang ditujukan untuk para anggotanya berbeda dengan bank jenis koperasi ini memiliki cara kerja yang lebih demokratis dan kekeluargaan

*frequently asked questions koperasi maju* - Dec 11 2022

web koperasi simpan pinjam ksp maju wijaya memberikan pelayanan terbaik bagi anda dengan jam operasional sebagai berikut senin jumat 08 00 17 00 wib sabtu minggu dan hari besar libur

**koperasi simpan pinjam pengertian fungsi dan cara ajukan pinjaman** - Apr 15 2023

web jan 28 2022 mengisi formulir proposal pengajuan pinjaman dana yang tersedia nomor pokok wajib pajak npwp untuk pinjaman dana di atas rp50 juta kartu tanda penduduk ktp suami istri dan surat nikah jika sudah menikah kartu keluarga kk rekening listrik slip gaji dan buku pensiun jika diperlukan

lembaga keuangan mikro sebagai penggerak pertumbuhan - Aug 07 2022

web nov 15 2023 dari persentase tersebut sebanyak 76 1 persen mendapatkan kredit dari bank dan 23 9 persen mengakses dari bukan bank termasuk usaha simpan pinjam seperti koperasi dengan kata lain sekitar 60 70 persen dari seluruh sektor

umkm belum mempunyai akses pembiayaan melalui perbankan sarwono h bank indonesia 2015

**mengenal koperasi simpan pinjam dan cara bergabungnya** - Jun 05 2022

web may 2 2023 cara mengajukan pinjaman ke ksp berbagai keuntungan tersebut membuat koperasi simpan pinjam menjadi pilihan banyak orang terutama pengusaha kecil ketika memerlukan pinjaman jika pins tertarik untuk mendapat layanan ini berikut langkah langkah mengajukan pinjaman ke ksp memilih ksp yang tepat dan aman mendaftar

**koperasi maju koperasi simpan pinjam** - Oct 21 2023

web nov 2 2023 koperasi simpan pinjam ksp maju wijaya memberikan pelayanan terbaik bagi anda dengan jam operasional sebagai berikut senin jumat 08 00 17 00 wib sabtu minggu dan hari besar libur

persada portal satu data dinas koperasi usaha kecil dan - Apr 03 2022

web koperasi simpan pinjam tersenyum maju bersama kab boyolali primer kabupaten kota 773 33091xxxxxxx koperasi simpan pinjam bina umat mandiri kab boyolali primer kabupaten kota 774 33091xxxxxxx koperasi jasa keuangan syariah bmt insan mandiri kab boyolali primer kabupaten kota 775 33091xxxxxxx

persada portal satu data dinas koperasi usaha kecil dan - Dec 31 2021

web koperasi simpan pinjam dan pembiayaan syariah inti muamalat primer provinsi simpan pinjam 387 33221xxxxxxx koperasi simpan pinjam maju bersama riana primer kabupaten kota simpan pinjam 388 33221xxxxxxx koperasi konsumen pokdarwis ceria joss primer kabupaten kota konsumen 389 33221xxxxxxx

*produk koperasi maju koperasi maju* - Sep 27 2021

web koperasi simpan pinjam ksp maju wijaya memberikan pelayanan terbaik bagi anda dengan jam operasional sebagai berikut senin jumat 08 00 17 00 wib sabtu minggu dan hari besar libur

ini pengertian koperasi simpan pinjam dan fungsinya - Jun 17 2023

web mar 9 2022 di indonesia ada satu jenis koperasi yang lazim ditemukan yakni koperasi simpan pinjam ksp secara ringkas koperasi simpan pinjam merupakan lembaga keuangan bukan bank dengan kegiatan usaha menerima simpanan dan memberikan pinjaman uang kepada anggotanya

**koperasi simpan pinjam ini definisi fungsi dan perannya** - Jan 12 2023

web mar 17 2022 koperasi simpan pinjam adalah lembaga keuangan mikro yang kegiatan usahanya berupa penerimaan simpanan dan pemberian pinjaman modal hal ini sesuai dengan yang tercantum pada peraturan pemerintah no 9 tahun 1995 pasal 19 yang menjelaskan bahwa dua kegiatan utama koperasi simpan pinjam yaitu menghimpun

la casa di charme formato liquido adatto per e bo - Aug 05 2022

web la casa di charme formato liquido adatto per e bo arte em e v a especial edição 6 minerva rassegna internazionale slovenia isole della grecia paesi baschi francesi e spagnoli interior design berlino dizionario moderno panorama crônicas de

lázaro matera e basilicata casa ambiente bebê e gestante 70 casa e ambiente bebê 75 a coisa

la casa di charme formato liquido adatto per e bo pdf - Jan 10 2023

web may 13 2023 la casa di charme formato liquido adatto per e bo pdf as recognized adventure as with ease as experience nearly lesson in any way in the course of them is this la casa di charme formato liquido adatto per e bo pdf that can be your partner illustrated excursions in italy edward lear 1846 berlin s third sex

la casa di charme formato liquido adatto per e bo - May 14 2023

web oct 12 2023 stimulate metamorphosis is actually astonishing within the pages of la casa di charme formato liquido adatto per e bo an enthralling opus penned by a very acclaimed wordsmith readers set about an immersive expedition to unravel the intricate significance of language and its indelible imprint on our lives

casaroma the best gourmet restaurant available in singapore - May 02 2022

web casa roma is proud to launch its 100 plant based menu prepared without meat or dairy for this very special occasion we would like to invite you to our launch dinner where for a very special price of 55 we will serve a set 5 course meal casa roma brings to singapore authentic italian flavours juicy tomatoes aromatic basil

**amazon com au customer reviews la casa di charme formato liquido** - Oct 19 2023

web find helpful customer reviews and review ratings for la casa di charme formato liquido adatto per e book readers l arte di rendere unica la propria casa con poca spesa e molto stile italian edition at amazon com read honest and unbiased product reviews from our users

**la casa di charme formato liquido adatto per e bo pdf** - Apr 13 2023

web aug 31 2023 info get the la casa di charme formato liquido adatto per e bo link that we allow here and check out the link you could buy lead la casa di charme formato liquido adatto per e bo or acquire it as soon as feasible you could quickly download this la casa di charme formato liquido adatto per e bo after getting deal

*la casa di charme lo stile femminile a casa e fuori* - Nov 08 2022

web come usare le righe verticali per sembrare più slanciate come scegliere i tacchi perfetti in estate il nuovo libro chic a costo zero detox primaverile splendenti in pochi giorni come usare i jeans svasati per allungare la figura jeans e pantaloni come scegliete la lunghezza adatta per slanciare la silhouette tendenze primavera 2020 i

*la casa di charme formato liquido adatto per e bo pdf* - Aug 17 2023

web la casa di charme formato liquido adatto per e bo pdf pages 4 16 la casa di charme formato liquido adatto per e bo pdf upload arnold z hayda 4 16 downloaded from bukuclone ortax org on september 2 2023 by arnold z hayda berlin s third sex magnus hirschfeld 2017 literary nonfiction lgbtqia studies translated from the

**la casa di charme formato liquido adatto per e bo pdf** - Feb 28 2022

web jun 6 2023 la casa di charme formato liquido adatto per e bo 2 7 downloaded from uniport edu ng on june 6 2023 by guest diary of a young girl anne frank 2001 11 19 in july 1942 anne frank and her family fleeing the horrors of nazi occupation hid in the back of an amsterdam warehouse anne was thirteen when the

[la casa di charme formato liquido adatto per e book readers l arte di](#) - Sep 06 2022

web sep 11 2023 la casa di charme formato liquido adatto per e book may 17th 2020 la casa di charme formato liquido adatto per e book readers l arte di rendere unica la propria casa con poca spesa e molto stile ebook giuliani chiara paci marco trivellin eleonora vezzi alessio it kindle store libri per imparare a fare i lavori di casa

**la casa di charme formato liquido adatto per e book** - Mar 12 2023

web all groups and messages

[la casa di charme formato liquido adatto per e bo pdf](#) - Dec 09 2022

web la casa di charme formato liquido adatto per e bo neapel oct 19 2021 die italienischste aller städte italiens gastlich und freundlich eine authentische hafenstadt mit schmalen zentrumsgassen die sich in den 1990er jahren hochgerappelt hat aus schlechtem ruf und verfall

**la casa di charme formato liquido adatto per e bo ftp bonide** - Oct 07 2022

web la casa di charme formato liquido adatto per e bo 3 3 atingir os quarenta anos de vida e encontrar se solteiro e distante de sua família após refletir a leitura de um poema motiva se a transcrever em um caderno as aventuras de seu tempo de infância as descobertas na puberdade e os seus romances enaltecendo em meio a tudo isso os

**la casa di charme formato liquido adatto per e bo pdf** - Feb 11 2023

web jun 7 2023 la casa di charme formato liquido adatto per e bo 1 8 downloaded from uniport edu ng on june 7 2023 by guest la casa di charme formato liquido adatto per e bo when people should go to the books stores search foundation by shop shelf by shelf it is in fact problematic this is why we offer the ebook compilations in this website

[la casa di charme formato liquido adatto per e bo pdf](#) - Jun 03 2022

web aug 18 2023 right here we have countless book la casa di charme formato liquido adatto per e bo and collections to check out we additionally offer variant types and after that type of the books to browse

[la casa di charme formato liquido adatto per e bo pdf](#) - Sep 18 2023

web 2 la casa di charme formato liquido adatto per e bo 2023 02 12 la casa di charme formato liquido adatto per e bo downloaded from dotnbm com by guest page jaiden casas rústicas on line editora em uma tarde fatídica em seu escritório o bem sucedido engenheiro Álvaro bento vê se diante de um conflito pessoal ao atingir os quarenta

[la casa di charme formato liquido adatto per e bo 2023](#) - Jul 16 2023

web oct 15 2023 formato liquido adatto per e bo a interesting work of literary elegance that impulses with organic thoughts

lies an memorable journey waiting to be embarked upon composed with a virtuoso

[casa aroma geylang apartment details reviews](#) - Jul 04 2022

web description casa aroma is a freehold apartment completed in 2003 the development occupies a land area of 986 sqm and a gross floor area of 1 380 sqm it consists of 10 units according to records buyers of this development are singaporean 82 8 pr 6 9 foreigner 10 3 company 0 0 casa aroma is located along chiku road in

**casa aroma condo in east coast marine parade 99 co** - Apr 01 2022

web overview of casa aroma casa aroma is a freehold condo development located in geylang district 15 completed in 2003 it has a total of 1 blocks within the development and comprises a total of 10 units it is within walking distance to mrt stations such as eunos mrt which provide residents easy access to other areas of singapore

**amazon it recensioni clienti la casa di charme formato liquido adatto** - Jun 15 2023

web consultare utili recensioni cliente e valutazioni per la casa di charme formato liquido adatto per e book readers l arte di rendere unica la propria casa con poca spesa e molto stile su amazon it consultare recensioni obiettive e imparziali sui prodotti fornite dagli utenti

**what is a procurement process flow chart and why use one** - Dec 28 2022

web oct 14 2022 pay salary career development what is a procurement process flow chart and why use one indeed editorial team updated 14 october 2022 procurement in business is the buying of goods and services using standardised processes to ensure companies purchase supplies at the best service and quality

**procurement process flow chart creately** - May 01 2023

web template types procurement process flow chart by lalindra perera edit this template use creately s easy online diagram editor to edit this diagram collaborate with others and export results to multiple image formats you

**top 10 process flow chart templates with samples and examples** - Apr 19 2022

web sep 8 2023 template 1 retail store order management process flow chart template this is a ready to use powerpoint template for streamlining retail order operations grab this pre designed ppt slide that depicts steps involved in receiving processing and fulfilling customer orders

[procurement process flowchart creately](#) - Feb 15 2022

web this purchasing and procurement process flowchart example provides you with a typical process you can easily edit this template using creately you can export it in multiple formats like jpeg png and svg and easily add it to word documents powerpoint ppt presentations excel or any other documents

[mastering the purchase ordering process lucidchart blog](#) - Jan 29 2023

web want to know more about the procurement process overall see our guide purchase ordering process flow click on image

to modify online what is a purchase order you encounter forms of a purchase order in your everyday life

[purchasing flowchart purchase order flowchart examples](#) - Aug 24 2022

web purchasing flowchart purchase order flowchart examples create your own flow charts of purchasing business processes using the conceptdraw pro diagramming and vector drawing software extended with the accounting flowcharts solution from the finance and accounting area of conceptdraw solution park

**procurement process flow a guide to procurement in business** - Sep 05 2023

web mar 11 2019 the procurement process flow workbook includes bpmn example procurement process flow overview sub process model preparation of procurement requirements and procurement procedure selection sub process model selection of key supplier s based on defined business rules sub process model registration of

[purchase flow chart 10 examples format pdf](#) - Jun 21 2022

web purchase flow chart examples templates 1 purchase order flow chart uncsa edu details file format pdf size 201 kb

download this purchase order flow chart enables you to picture a process for your business

[flow chart of the designed procurement process researchgate](#) - Jul 23 2022

web the flow chart in figure 1 describes the main activities in the designed procurement process the process is triggered by the creation of a purchase order po by an employee this po is meant to

[procurement process flow chart free download someka](#) - Nov 26 2022

web the procurement process flowchart includes stages such as creating a purchase order receiving goods or services inspecting goods obtaining quotations payment etc this template is fully editable so you can enter your stages according to your organization

**57 free flowchart templates for word powerpoint excel** - Mar 19 2022

web jan 26 2022 the circular flowchart template model or diagram lets you visualize the flows of products and money between two distinct segments of the economy it shows where enterprises sell certain goods and services then reveals what they have produced in exchange for revenue from households data flow diagram template

**purchasing procurement process flow chart smartdraw** - Jun 02 2023

web this purchasing and procurement process flowchart example provides you with a typical process you can modify it to layout the steps in your company s process you can even link to approved vendors internal forms and email

**procurement process simplified a step by step guide to** - Aug 04 2023

web drafting the flowchart once you have defined your goals for the procurement process it s time to start drafting a flowchart a flowchart is a visual representation of how a process works from start to finish it helps you to see all of the steps involved in the procurement process and identify any potential bottlenecks or areas for improvement

[get the procurement process flowchart free and online](#) - Oct 26 2022

web jul 6 2016 procurement process flowchart example heflo has made this example of a business procurement process flowchart available to you providing most of the tasks that are usually used for this type of activity but as we said it is fully adaptable as you can see in this procurement process flowchart example there are 5 lanes defined in the

**6 essential steps in the procurement process flow lucidchart** - Oct 06 2023

web procurement process flow example click on image to modify online what is the procurement process proper procurement procedure consists of six main procurement process steps 1 need identification this process starts when someone submits a request to the purchasing department

**purchasing flowchart purchase order flowchart examples** - Sep 24 2022

web finance and accounting accounting flowcharts process flowchart conceptdraw is professional business process mapping software for making process flow diagram workflow diagram general flowcharts and technical illustrations for business documents it includes rich examples templates process flowchart symbols

**what is a procurement process flow chart with 8 steps** - Feb 27 2023

web dec 10 2022 a procurement process flow chart is a diagram that helps professionals visualize and understand the steps in the procurement cycle this diagram details all the processes and procedures employees in an organization use to obtain goods and services

*five stages of procurement process flow chart slideteam* - May 21 2022

web jan 2 2023 the following slide delineates procurement process flow chart used to buy high quality of raw material from a supplier it provides information about purchasing request bidding evaluation negotiation and purchase order presenting our set of slides with name five stages of procurement process flow chart

*procurement process flow how to optimize the 2023 guide* - Mar 31 2023

web sep 26 2023 1 process comprises the steps that must be followed while reviewing ordering obtaining and paying for goods services 2 people these are stakeholders and their specific responsibility in the procurement cycle is

**procurement process flow example lucidchart** - Jul 03 2023

web procurement process flow example this procurement process flow example template can help you make all stakeholders aware of the steps involved in making purchases identify potential issues and roadblocks streamline your procurement process