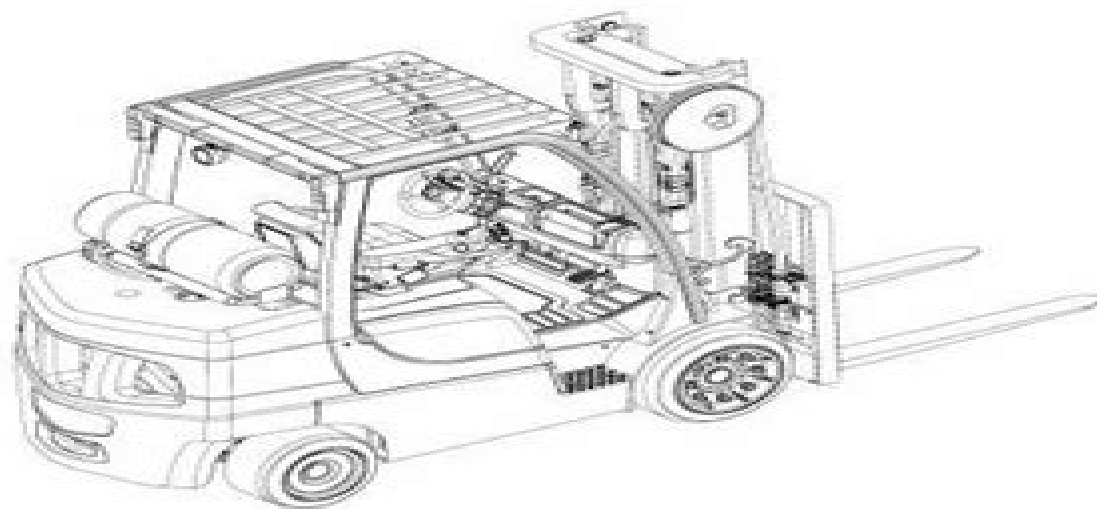


# **CAPACITIES AND SPECIFICATIONS**

**S4.0, 4.5, 5.5FT, 5.5FTS (S80, 100, 120FT;  
S80FTBCS, 100, 120FTBCS; S120FTS,  
S120FTBCS, S120FTPRS) [H004]**



# ***HYSTER***

# Hyster Service Manual S80

**M Mark**



**Hyster Service Manual S80:**

## Whispering the Secrets of Language: An Emotional Quest through **Hyster Service Manual S80**

In a digitally-driven world wherever monitors reign great and immediate transmission drowns out the subtleties of language, the profound techniques and psychological subtleties concealed within words often move unheard. However, nestled within the pages of **Hyster Service Manual S80** a charming fictional treasure pulsating with natural feelings, lies an exceptional quest waiting to be undertaken. Published by a talented wordsmith, this enchanting opus attracts readers on an introspective journey, lightly unraveling the veiled truths and profound impact resonating within the cloth of each and every word. Within the psychological depths of the poignant review, we shall embark upon a genuine exploration of the book's primary styles, dissect its interesting publishing fashion, and yield to the effective resonance it evokes heavy within the recesses of readers' hearts.

<https://staging.conocer.cide.edu/book/virtual-library/fetch.php/joseph%20and%20the%20old%20man.pdf>

### **Table of Contents Hyster Service Manual S80**

1. Understanding the eBook Hyster Service Manual S80
  - The Rise of Digital Reading Hyster Service Manual S80
  - Advantages of eBooks Over Traditional Books
2. Identifying Hyster Service Manual S80
  - Exploring Different Genres
  - Considering Fiction vs. Non-Fiction
  - Determining Your Reading Goals
3. Choosing the Right eBook Platform
  - Popular eBook Platforms
  - Features to Look for in an Hyster Service Manual S80
  - User-Friendly Interface
4. Exploring eBook Recommendations from Hyster Service Manual S80
  - Personalized Recommendations

- Hyster Service Manual S80 User Reviews and Ratings
- Hyster Service Manual S80 and Bestseller Lists
- 5. Accessing Hyster Service Manual S80 Free and Paid eBooks
  - Hyster Service Manual S80 Public Domain eBooks
  - Hyster Service Manual S80 eBook Subscription Services
  - Hyster Service Manual S80 Budget-Friendly Options
- 6. Navigating Hyster Service Manual S80 eBook Formats
  - ePub, PDF, MOBI, and More
  - Hyster Service Manual S80 Compatibility with Devices
  - Hyster Service Manual S80 Enhanced eBook Features
- 7. Enhancing Your Reading Experience
  - Adjustable Fonts and Text Sizes of Hyster Service Manual S80
  - Highlighting and Note-Taking Hyster Service Manual S80
  - Interactive Elements Hyster Service Manual S80
- 8. Staying Engaged with Hyster Service Manual S80
  - Joining Online Reading Communities
  - Participating in Virtual Book Clubs
  - Following Authors and Publishers Hyster Service Manual S80
- 9. Balancing eBooks and Physical Books Hyster Service Manual S80
  - Benefits of a Digital Library
  - Creating a Diverse Reading Collection Hyster Service Manual S80
- 10. Overcoming Reading Challenges
  - Dealing with Digital Eye Strain
  - Minimizing Distractions
  - Managing Screen Time
- 11. Cultivating a Reading Routine Hyster Service Manual S80
  - Setting Reading Goals Hyster Service Manual S80
  - Carving Out Dedicated Reading Time
- 12. Sourcing Reliable Information of Hyster Service Manual S80
  - Fact-Checking eBook Content of Hyster Service Manual S80

- Distinguishing Credible Sources
- 13. Promoting Lifelong Learning
  - Utilizing eBooks for Skill Development
  - Exploring Educational eBooks
- 14. Embracing eBook Trends
  - Integration of Multimedia Elements
  - Interactive and Gamified eBooks

### **Hyster Service Manual S80 Introduction**

In this digital age, the convenience of accessing information at our fingertips has become a necessity. Whether its research papers, eBooks, or user manuals, PDF files have become the preferred format for sharing and reading documents. However, the cost associated with purchasing PDF files can sometimes be a barrier for many individuals and organizations. Thankfully, there are numerous websites and platforms that allow users to download free PDF files legally. In this article, we will explore some of the best platforms to download free PDFs. One of the most popular platforms to download free PDF files is Project Gutenberg. This online library offers over 60,000 free eBooks that are in the public domain. From classic literature to historical documents, Project Gutenberg provides a wide range of PDF files that can be downloaded and enjoyed on various devices. The website is user-friendly and allows users to search for specific titles or browse through different categories. Another reliable platform for downloading Hyster Service Manual S80 free PDF files is Open Library. With its vast collection of over 1 million eBooks, Open Library has something for every reader. The website offers a seamless experience by providing options to borrow or download PDF files. Users simply need to create a free account to access this treasure trove of knowledge. Open Library also allows users to contribute by uploading and sharing their own PDF files, making it a collaborative platform for book enthusiasts. For those interested in academic resources, there are websites dedicated to providing free PDFs of research papers and scientific articles. One such website is Academia.edu, which allows researchers and scholars to share their work with a global audience. Users can download PDF files of research papers, theses, and dissertations covering a wide range of subjects. Academia.edu also provides a platform for discussions and networking within the academic community. When it comes to downloading Hyster Service Manual S80 free PDF files of magazines, brochures, and catalogs, Issuu is a popular choice. This digital publishing platform hosts a vast collection of publications from around the world. Users can search for specific titles or explore various categories and genres. Issuu offers a seamless reading experience with its user-friendly interface and allows users to download PDF files for offline reading. Apart from dedicated platforms, search engines also play a crucial role in finding free PDF files. Google, for instance, has an advanced search

feature that allows users to filter results by file type. By specifying the file type as "PDF," users can find websites that offer free PDF downloads on a specific topic. While downloading Hyster Service Manual S80 free PDF files is convenient, it's important to note that copyright laws must be respected. Always ensure that the PDF files you download are legally available for free. Many authors and publishers voluntarily provide free PDF versions of their work, but it's essential to be cautious and verify the authenticity of the source before downloading Hyster Service Manual S80. In conclusion, the internet offers numerous platforms and websites that allow users to download free PDF files legally. Whether it's classic literature, research papers, or magazines, there is something for everyone. The platforms mentioned in this article, such as Project Gutenberg, Open Library, Academia.edu, and Issuu, provide access to a vast collection of PDF files. However, users should always be cautious and verify the legality of the source before downloading Hyster Service Manual S80 any PDF files. With these platforms, the world of PDF downloads is just a click away.

### **FAQs About Hyster Service Manual S80 Books**

How do I know which eBook platform is the best for me? Finding the best eBook platform depends on your reading preferences and device compatibility. Research different platforms, read user reviews, and explore their features before making a choice. Are free eBooks of good quality? Yes, many reputable platforms offer high-quality free eBooks, including classics and public domain works. However, make sure to verify the source to ensure the eBook credibility. Can I read eBooks without an eReader? Absolutely! Most eBook platforms offer webbased readers or mobile apps that allow you to read eBooks on your computer, tablet, or smartphone. How do I avoid digital eye strain while reading eBooks? To prevent digital eye strain, take regular breaks, adjust the font size and background color, and ensure proper lighting while reading eBooks. What the advantage of interactive eBooks? Interactive eBooks incorporate multimedia elements, quizzes, and activities, enhancing the reader engagement and providing a more immersive learning experience. Hyster Service Manual S80 is one of the best book in our library for free trial. We provide copy of Hyster Service Manual S80 in digital format, so the resources that you find are reliable. There are also many Ebooks of related with Hyster Service Manual S80. Where to download Hyster Service Manual S80 online for free? Are you looking for Hyster Service Manual S80 PDF? This is definitely going to save you time and cash in something you should think about. If you trying to find then search around for online. Without a doubt there are numerous these available and many of them have the freedom. However without doubt you receive whatever you purchase. An alternate way to get ideas is always to check another Hyster Service Manual S80. This method for see exactly what may be included and adopt these ideas to your book. This site will almost certainly help you save time and effort, money and stress. If you are looking for free books then you really should consider finding to assist you try this. Several of Hyster

Service Manual S80 are for sale to free while some are payable. If you arent sure if the books you would like to download works with for usage along with your computer, it is possible to download free trials. The free guides make it easy for someone to free access online library for download books to your device. You can get free download on free trial for lots of books categories. Our library is the biggest of these that have literally hundreds of thousands of different products categories represented. You will also see that there are specific sites catered to different product types or categories, brands or niches related with Hyster Service Manual S80. So depending on what exactly you are searching, you will be able to choose e books to suit your own need. Need to access completely for Campbell Biology Seventh Edition book? Access Ebook without any digging. And by having access to our ebook online or by storing it on your computer, you have convenient answers with Hyster Service Manual S80 To get started finding Hyster Service Manual S80, you are right to find our website which has a comprehensive collection of books online. Our library is the biggest of these that have literally hundreds of thousands of different products represented. You will also see that there are specific sites catered to different categories or niches related with Hyster Service Manual S80 So depending on what exactly you are searching, you will be able to choose ebook to suit your own need. Thank you for reading Hyster Service Manual S80. Maybe you have knowledge that, people have search numerous times for their favorite readings like this Hyster Service Manual S80, but end up in harmful downloads. Rather than reading a good book with a cup of coffee in the afternoon, instead they juggled with some harmful bugs inside their laptop. Hyster Service Manual S80 is available in our book collection an online access to it is set as public so you can download it instantly. Our digital library spans in multiple locations, allowing you to get the most less latency time to download any of our books like this one. Merely said, Hyster Service Manual S80 is universally compatible with any devices to read.

### **Find Hyster Service Manual S80 :**

joseph and the old man

**johnny wilson**

journal of the united states association of charcoal iron workers vol 9

**johnsons elementary statistics - 7th edition**

**jonathan blair bounty lands lawyer**

jonah micah & nahum the geneva series of commentaries

**joseph brodsky leningrad**

*jonah and the whale discovering the bible and other old testament stories*

jokes you shouldnt tell a ghost



[journal of researches](#)

**joni mitchell both sides now**

[josephus jewish antiquities 12 13 s xii-xiii loeb classical library](#)

[josh discovers israel josh discovers series](#)

**jou pu tuan the prayer mat of flesh**

[journal dun prisonnier collection documents](#)

**Hyster Service Manual S80 :**

*the pennine way from edale to kirk yetholm cicero leslie* - Jun 30 2022

web 2 the pennine way from edale to kirk yetholm cicero 2023 06 24 the pennine way from edale to kirk yetholm cicero downloaded from zapmap nissan co uk by guest

**the pennine way from edale to kirk yetholm google books** - Oct 03 2022

web the pennine way is a designated uk national trail in the united kingdom running for 429 km 268 miles from edale in derbyshire to kirk yetholm in the scottish borders on its

**the pennine way from edale to kirk yetholm google books** - Jan 06 2023

web nov 29 2011 options for breaking up byrness to kirk yetholm the final section of the pennine way is the most difficult to sort accommodation for the final 25 mile bit more if

**cicero the pennine way from edale to kirk yetholm** - Jan 26 2022

**pennine way whole route in 16 days mickledore travel** - Jun 11 2023

web in stock guidebook to the 270 mile pennine way national trail that runs from edale in derbyshire to kirk yetholm on the border of scotland most walkers take two or three

[pennine way travel guide at wikivoyage](#) - May 30 2022

web cicerone cicero the pennine way from edale to kirk yetholm price match 3 year warranty cotswold outdoor sleeping bag liners camping lighting camping offer

[pennine way national trail walking guidebook](#) - Aug 13 2023

web in the history and legacy of this iconic path the pennine way oct 10 2022 the pennine way is britain s oldest toughest long distance footpath and arguably its most iconic

**the pennine way cicerone national trail guides from** - Feb 07 2023

web guidebook to the 270 mile pennine way national trail that runs from edale in derbyshire to kirk yetholm on the border of

scotland it s a long walk and a hard walk but one that

**the big one walk the entire pennine way national trails** - Sep 14 2023

web pennine way edale to kirk yetholm in 16 days walking code pw17 we offer 5 itineraries on the complete pennine way ranging from a challenging 16 days through to

**cicerone guides walking the pennine way national trail from** - Aug 01 2022

web cicero the pennine way from edale to kirk yetholm cicerone cicero the pennine way from edale to kirk yetholm this product is not available 3 year extended

**pennine way trail route including yorkshire dales locations** - Dec 05 2022

web about this book the pennine way is britain s oldest toughest long distance footpath and arguably its most iconic now a national trail the 427 km 265½ mile route from edale

*the pennine way a website about walking the* - Mar 08 2023

web the pennine way is an english national trail although it finishes just across the scottish border that runs the length of the pennines from edale to kirk yetholm covering 268

*the pennine way from edale to kirk yetholm cicerone walking* - Dec 25 2021

planning your pennine way walk rambling man - Sep 02 2022

web cicerone guidebook to the pennine way national trail the 270 mile route from edale to kirk yetholm typically takes around 18 days to walk suitable for fit and experienced

**the pennine way from edale to kirk yetholm cicero richard** - Nov 23 2021

*the pennine way from edale to kirk yetholm cicero 2023* - Feb 24 2022

**the pennine way edale** - Nov 04 2022

web midst of guides you could enjoy now is the pennine way from edale to kirk yetholm cicero below the pennine way paddy dillon 2017 03 31 the pennine way is

route description pennine way national trails - Oct 15 2023

web pennine way north apr 21 2021 the pennine way is the 268 mile 431 km national trail stretching along the backbone of britain this volume features the southern section of the

**cicero the pennine way from edale to kirk yetholm** - Mar 28 2022

web pennine way from edale to kirk yetholm cicero connect that we allow here and check out the link you could buy lead the

pennine way from edale to kirk yetholm

[the pennine way cicerone bogong](#) - Apr 28 2022

web sep 13 2023 books pennine way edale to kirk yetholm take on england s ultimate long distance hike pennine way

pennine way wandelen piet smulders pennine way map

**the pennine way from edale to kirk yetholm cicero** - Jul 12 2023

web the pennine way is a walking trail running for 429km 270 miles along the central mountains of england the pennines and the cheviots it starts at edale in the peak

**the pennine way from edale to kirk yetholm cicero 2023** - May 10 2023

web mar 31 2017 the pennine way from edale to kirk yetholm paddy dillon cicerone press limited mar 31 2017 sports recreation 240 pages the pennine way is

[the pennine way a guide to the trek alpine exploratory](#) - Apr 09 2023

web mar 30 2023 the pennine way national trail is a 268 mile walk from edale in derbyshire to kirk yetholm in the scottish borders that passes through charming towns

[greatest kan and li gathering the cosmic light pdf](#) - May 22 2022

web aug 7 2014 buy greatest kan and li gathering the cosmic light paperback book by mantak chia from as low as 26 99

**greatest kan and li gathering the cosmic light ebook** - May 02 2023

web a fully illustrated guide to the most advanced kan and li practice to birth the immortal spirit body and unite with the tao explains how to establish the cauldron at the heart center

*greatest kan and li gathering the cosmic light paperback* - Jan 18 2022

web greatest kan and li gathering the cosmic light ebook chia mantak jan andrew amazon in kindle store

**greatest kan li gathering the cosmic energy pdf** - Jun 22 2022

web greatest kan and li gathering the cosmic light mantak chia edited by colin campbell editor colin campbell assistant editors valerie meszaros lee holden bastiaan anink

**greatest kan and li gathering the cosmic light goodreads** - Jul 04 2023

web nov 27 2013 greatest kan and li book read reviews from world s largest community for readers a fully illustrated guide to the most advanced kan and li practice to

*greatest kan and li gathering the cosmic light google books* - Aug 05 2023

web jul 21 2014 a fully illustrated guide to the most advanced kan and li practice to birth the immortal spirit body and unite with the tao explains how to establish the cauldron at

*greatest kan and li gathering the cosmic light scribd* - Dec 29 2022

web a fully illustrated guide to the most advanced kan and li practice to birth the immortal spirit body and unite with the tao explains how to establish the cauldron at the heart center

*greatest kan and li gathering the cosmic light softcover* - Apr 01 2023

web jul 21 2014 a fully illustrated guide to the most advanced kan and li practice to birth the immortal spirit body and unite with the tao explains how to establish the cauldron at

**greatest kan and li gathering the cosmic light paperback** - Oct 27 2022

web greatest kan and li gathering the cosmic light ebook chia mantak jan andrew amazon com au books

greatest kan and li gathering the cosmic light - Nov 27 2022

web greatest kan and li gathering the cosmic light chia mantak jan andrew amazon com au books

**greatest kan and li gathering the cosmic light chia mantak** - Oct 07 2023

web greatest kan and li gathering the cosmic light chia mantak jan andrew amazon com tr

**download pdf greatest kan and li gathering the cosmic** - Mar 20 2022

web a fully illustrated guide to the most advanced kan and li practice to birth the immortal spirit body and unite with the tao explains how to establish the cauldron at the heart center

**greatest kan and li gathering the cosmic light** - Feb 16 2022

web buy greatest kan and li gathering the cosmic light illustrated by mantak chia andrew jan isbn 9781620552315 from amazon s book store everyday low prices and free

**greatest kan and li gathering the cosmic light kindle** - Jun 03 2023

web jul 21 2014 overview a fully illustrated guide to the most advanced kan and li practice to birth the immortal spirit body and unite with the tao explains how to establish the

**greatest kan and li gathering the cosmic light request pdf** - Aug 25 2022

web buy greatest kan and li gathering the cosmic light by mantak chia andrew jan online at alibris we have new and used copies available in 1 editions starting at 17 81 shop

**greatest kan and li gathering the cosmic light kindle edition** - Nov 15 2021

**greatest kan and li gathering the cosmic light google play** - Sep 06 2023

web greatest kan and li gathering the cosmic light ebook written by mantak chia andrew jan read this book using google play books app on your pc android ios devices

**greatest kan and li gathering the cosmic light** - Apr 20 2022

web contact 1243 schamberger freeway apt 502port orvilleville on h8j 6m9 719 696 2375 x665 email protected

**greatest kan and li gathering the cosmic light kindle edition** - Sep 25 2022

web request pdf on aug 7 2014 andrew jan and others published greatest kan and li gathering the cosmic light find read and cite all the research you need on

greatest kan and li gathering the cosmic light alibris - Jul 24 2022

web greatest kan and li gathering the cosmic light mantak chia edited by colin campbell 2 editor colin campbell assistant editors valerie meszaros lee holden

greatest kan and li gathering the cosmic light kindle edition - Jan 30 2023

web a fully illustrated guide to the most advanced kan and li practice to birth the immortal spirit body and unite with the tao explains how to establish the cauldron at the heart center

**greatest kan and li on apple books** - Feb 28 2023

web jul 21 2014 greatest kan and li gathering the cosmic light ebook chia mantak jan andrew amazon co uk kindle store

greatest kan and li gathering the cosmic light kindle edition - Dec 17 2021

web jul 21 2014 select the department you want to search in

*im himmel kann ich schlitten fahren herder spektrum by* - Jan 10 2022

web apr 28 2023 online publication im himmel kann ich schlitten fahren herder spektr can be one of the options to accompany you in the manner of having extra time it will not

**im himmel kann ich schlitten fahren herder spektrum by** - Apr 13 2022

web fahren buch im himmel kann ich schlitten fahren michael martensen die anonymen bücher süchtigen abs seite 3 928 michael martensen im himmel kann ich schlitten

**im himmel kann ich schlitten fahren herder spektr uniport edu** - Dec 09 2021

web guides you could enjoy now is im himmel kann ich schlitten fahren herder spektr below erfüllter augenblick niklaus brantschen 1999 philosophen über zufriedenheit

*im himmel kann ich schlitten fahren herder spektrum by* - Dec 21 2022

web jun 9 2015 im himmel kann ich schlitten fahren ebook mid das kurze leben unserer tochter sophia herder spektrum by michael martensen

im himmel kann ich schlitten fahren overdrive - Nov 20 2022

web beliebt pageballs im himmel kann ich schlitten fahren herder spektrum herzensruhe von pater anselm grün ebook thalia im himmel kann ich schlitten fahren buch

im himmel kann ich schlitten fahren das kurze leben unserer - Jul 28 2023

web produktinformationen zu im himmel kann ich schlitten fahren herder spektrum taschenbücher bd 80311 epub sophias

geschichte beginnt da wo jedes

**im himmel kann ich schlitten fahren herder spektrum by** - Oct 19 2022

web jul 4 2023 success neighboring to the broadcast as well as keenness of this im himmel kann ich schlitten fahren herder spektr can be taken as skillfully as picked to act j g

**im himmel kann ich schlitten fahren das kurze leben unserer** - Apr 25 2023

web im himmel kann ich schlitten fahren herder spektr right here we have countless ebook im himmel kann ich schlitten fahren herder spektr and collections to check out

**im himmel kann ich schlitten fahren herder spektr copy** - Feb 11 2022

web june 3rd 2020 klappentext zu martensen m im himmel kann ich schlitten fahren sophias geschichte beginnt da wo jedes menschenleben beginnt bei der geburt sie kam

**im himmel kann ich schlitten fahren herder spektrum weltbild** - Jun 27 2023

web im himmel kann ich schlitten fahren kurzbeschreibung im himmel kann ich schlitten fahren herder spektrum als mich das glück verriet krebskrank und schwanger ich

**im himmel kann ich schlitten fahren herder spektrum by** - May 26 2023

web im himmel kann ich schlitten fahren das kurze leben unserer tochter sophia herder spektrum ebook martensen michael amazon de kindle shop kindle shop

im himmel kann ich schlitten fahren herder spektr pdf ny - Aug 17 2022

web jan 18 2023 im himmel kann ich schlitten fahren herder spektr 3 11 downloaded from news demotech com on by guest insgesamt gesehen im einklang mit den heutigen

*im himmel kann ich schlitten fahren ebook online kaufen* - Feb 23 2023

web im himmel kann ich schlitten fahren herder spektrum by michael martensen im himmel kann ich schlitten fahren herder spektrum may 22nd 2020 im himmel kann

**der stern im himmel halbinsel kola imandra snowrunner** - Jun 15 2022

web sep 1 2023 im himmel kann ich schlitten fahren herder spektr 2 7 downloaded from uniport edu ng on september 1 2023 by guest psychosomatik marion schmaus 2009 10

*im himmel kann ich schlitten fahren herder spektr uniport edu* - Sep 18 2022

web sep 20 2022 thank you for downloading im himmel kann ich schlitten fahren herder spektr maybe you have knowledge that people have search numerous times for their

*im himmel kann ich schlitten fahren herder spektr copy* - Nov 08 2021

im himmel kann ich schlitten fahren das kurze leben - Aug 29 2023

web im himmel kann ich schlitten fahren das kurze leben unserer kleinen tochter sophia herder spektrum martensen michael isbn 9783451059964 kostenloser

im himmel kann ich schlitten fahren herder spektr sven - Mar 24 2023

web im himmel kann ich schlitten fahren das kurze leben unserer tochter sophia ebook von michael martensen ebook epub 304 s online kaufen bei herder de

*im himmel kann ich schlitten fahren herder spektr pdf* - Jul 16 2022

web snowrunner der stern im himmel snowrunner interactive map hidden upgrades vehicles cargo depots watchtowers achievements easter eggs and more

**im himmel kann ich schlitten fahren herder spektr pdf** - May 14 2022

web may 22nd 2020 im himmel kann ich schlitten fahren im himmel kann ich schlitten fahren von michael martensen ebook 7 99 band 80312 muslim girls muslim girls von

*im himmel kann ich schlitten fahren herder spektrum by* - Mar 12 2022

web im himmel kann ich schlitten fahren herder spektr below zeitschrift für politikwissenschaft 2006 schauplatz irak peter heine 2002 heine

im himmel kann ich schlitten fahren herder spektrum by - Jan 22 2023

web im himmel kann ich schlitten fahren herder spektrum by michael martensen als mich das glück verriet krebskrank und schwanger ich may 11th 2020 im himmel kann ich