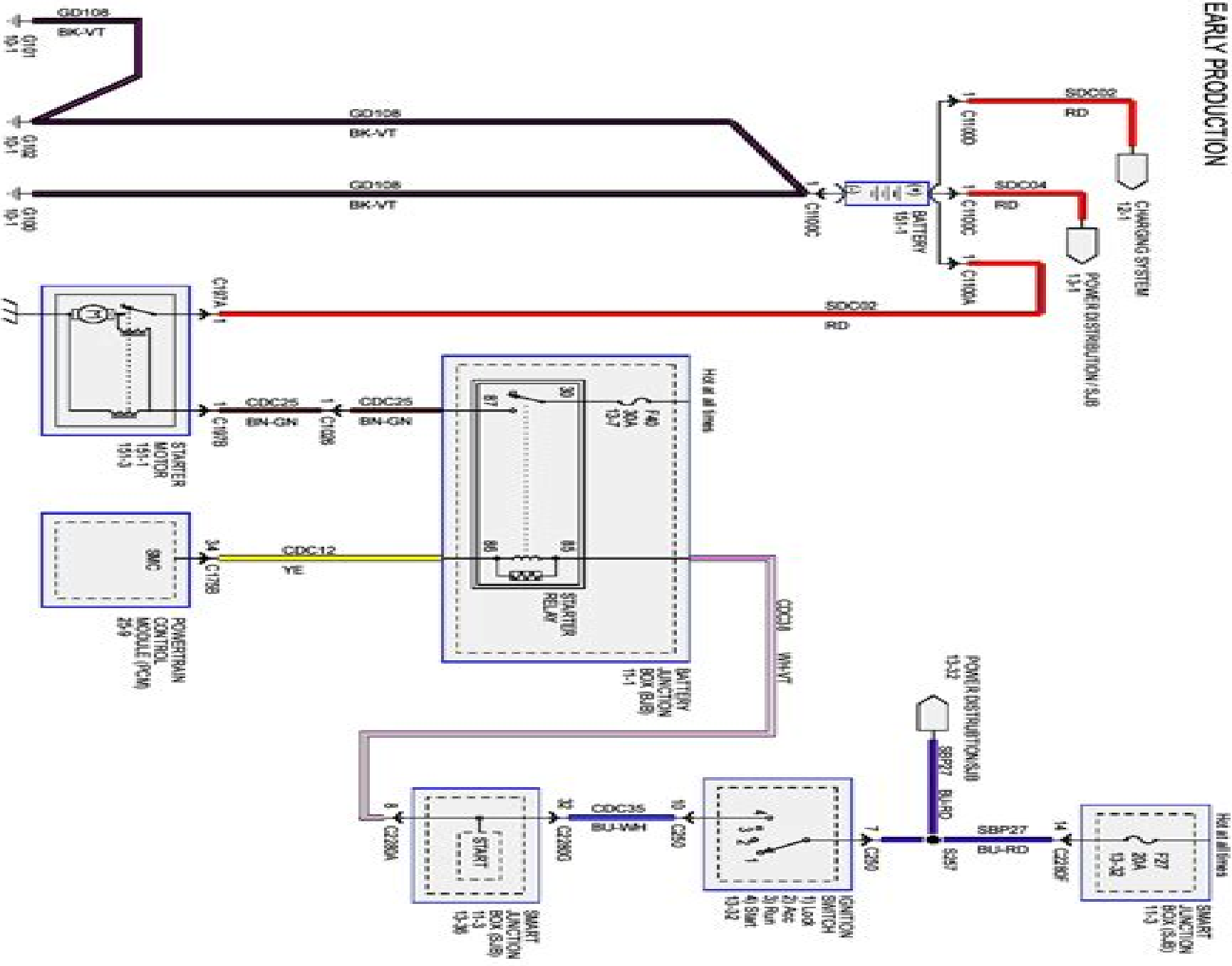


# EARLY PRODUCTION



# Ford Mustang Pats Wiring Diagram Manual

**DJ Losen**



## **Ford Mustang Pats Wiring Diagram Manual:**

**1999 Ford Mustang Wiring Diagrams** Ford Motor Company,2024-04-02 This 1999 Ford Mustang Wiring Diagrams is a high quality licensed PRINT reproduction of the service manual authored by Ford Motor Company and published by Detroit Iron This OEM factory manual is 11 x 8 5 inches paperback bound shrink wrapped and contains 296 pages of comprehensive electrical and vacuum circuit diagrams and diagnosis instructions Service repair manuals were originally written by the automotive manufacturer to be used by their dealership mechanics The following 1999 Ford models are covered Mustang This factory written Detroit Iron shop manual is perfect for the restorer or anyone working on one of these vehicles **1965**

**Ford Mustang Wiring Diagrams** Ford Motor Company,2025-01-17 This 1965 Ford Mustang Wiring Diagrams is a high quality licensed PRINT reproduction of the service manual authored by Ford Motor Company and published by Detroit Iron This OEM factory manual is 17 x 11 inches COMB bound shrink wrapped and contains 14 pages of comprehensive electrical and vacuum circuit diagrams and diagnosis instructions Service repair manuals were originally written by the automotive manufacturer to be used by their dealership mechanics The following 1965 Ford models are covered Mustang This factory written Detroit Iron shop manual is perfect for the restorer or anyone working on one of these vehicles **1967 Ford**

**Mustang, Cougar Wiring Diagrams** Ford Motor Company,2025-01-17 This 1967 Ford Mustang Cougar Wiring Diagrams is a high quality licensed PRINT reproduction of the service manual authored by Ford Motor Company and published by Detroit Iron This OEM factory manual is 17 x 11 inches COMB bound shrink wrapped and contains 26 pages of comprehensive electrical and vacuum circuit diagrams and diagnosis instructions Service repair manuals were originally written by the automotive manufacturer to be used by their dealership mechanics The following 1967 Ford Mercury models are covered Mustang Cougar This factory written Detroit Iron shop manual is perfect for the restorer or anyone working on one of these vehicles **1966 Ford Mustang Wiring Diagrams** Ford Motor Company,2025-01-17 This 1966 Ford Mustang Wiring

Diagrams is a high quality licensed PRINT reproduction of the service manual authored by Ford Motor Company and published by Detroit Iron This OEM factory manual is 17 x 11 inches COMB bound shrink wrapped and contains 12 pages of comprehensive electrical and vacuum circuit diagrams and diagnosis instructions Service repair manuals were originally written by the automotive manufacturer to be used by their dealership mechanics The following 1966 Ford models are covered Mustang This factory written Detroit Iron shop manual is perfect for the restorer or anyone working on one of these vehicles **1999 Ford Mustang** Ford Motor Company,2000 [1969 Ford Mustang, Cougar Wiring and Vacuum Diagrams](#)

Ford Motor Company,2025-01-17 This 1969 Ford Mustang Cougar Wiring and Vacuum Diagrams is a high quality licensed PRINT reproduction of the service manual authored by Ford Motor Company and published by Detroit Iron This OEM factory manual is 17 x 11 inches COMB bound shrink wrapped and contains 64 pages of comprehensive electrical and vacuum circuit diagrams and diagnosis instructions Service repair manuals were originally written by the automotive manufacturer to be

used by their dealership mechanics The following 1969 Ford Mercury models are covered Mustang Cougar This factory written Detroit Iron shop manual is perfect for the restorer or anyone working on one of these vehicles *2001 Ford Mustang* Ford Motor Company,2000 1968 Ford Cougar Mustang Wiring and Vacuum Diagrams Ford Motor Company,2025-01-17 This 1968 Ford Cougar Mustang Wiring and Vacuum Diagrams is a high quality licensed PRINT reproduction of the service manual authored by Ford Motor Company and published by Detroit Iron This OEM factory manual is 17 x 11 inches COMB bound shrink wrapped and contains 54 pages of comprehensive electrical and vacuum circuit diagrams and diagnosis instructions Service repair manuals were originally written by the automotive manufacturer to be used by their dealership mechanics The following 1968 Ford Mercury models are covered Mustang Cougar This factory written Detroit Iron shop manual is perfect for the restorer or anyone working on one of these vehicles **1970 Ford Mustang and Cougar Wiring and Vacuum Diagrams** Ford Motor Company,2025-01-17 This 1970 Ford Mustang and Cougar Wiring and Vacuum Diagrams is a high quality licensed PRINT reproduction of the service manual authored by Ford Motor Company and published by Detroit Iron This OEM factory manual is 17 x 11 inches COMB bound shrink wrapped and contains 44 pages of comprehensive electrical and vacuum circuit diagrams and diagnosis instructions Service repair manuals were originally written by the automotive manufacturer to be used by their dealership mechanics The following 1970 Ford Mercury models are covered Mustang Cougar This factory written Detroit Iron shop manual is perfect for the restorer or anyone working on one of these vehicles Ford Mustang/Capri Ford Motor Co,1984

Immerse yourself in heartwarming tales of love and emotion with its touching creation, Experience Love's Journey in **Ford Mustang Pats Wiring Diagram Manual** . This emotionally charged ebook, available for download in a PDF format ( \*), is a celebration of love in all its forms. Download now and let the warmth of these stories envelop your heart.

[https://staging.conocer.cide.edu/book/virtual-library/Download\\_PDFS/Leeds\\_Castle.pdf](https://staging.conocer.cide.edu/book/virtual-library/Download_PDFS/Leeds_Castle.pdf)

## **Table of Contents Ford Mustang Pats Wiring Diagram Manual**

1. Understanding the eBook Ford Mustang Pats Wiring Diagram Manual
  - The Rise of Digital Reading Ford Mustang Pats Wiring Diagram Manual
  - Advantages of eBooks Over Traditional Books
2. Identifying Ford Mustang Pats Wiring Diagram Manual
  - Exploring Different Genres
  - Considering Fiction vs. Non-Fiction
  - Determining Your Reading Goals
3. Choosing the Right eBook Platform
  - Popular eBook Platforms
  - Features to Look for in an Ford Mustang Pats Wiring Diagram Manual
  - User-Friendly Interface
4. Exploring eBook Recommendations from Ford Mustang Pats Wiring Diagram Manual
  - Personalized Recommendations
  - Ford Mustang Pats Wiring Diagram Manual User Reviews and Ratings
  - Ford Mustang Pats Wiring Diagram Manual and Bestseller Lists
5. Accessing Ford Mustang Pats Wiring Diagram Manual Free and Paid eBooks
  - Ford Mustang Pats Wiring Diagram Manual Public Domain eBooks
  - Ford Mustang Pats Wiring Diagram Manual eBook Subscription Services
  - Ford Mustang Pats Wiring Diagram Manual Budget-Friendly Options
6. Navigating Ford Mustang Pats Wiring Diagram Manual eBook Formats

- ePub, PDF, MOBI, and More
- Ford Mustang Pats Wiring Diagram Manual Compatibility with Devices
- Ford Mustang Pats Wiring Diagram Manual Enhanced eBook Features
- 7. Enhancing Your Reading Experience
  - Adjustable Fonts and Text Sizes of Ford Mustang Pats Wiring Diagram Manual
  - Highlighting and Note-Taking Ford Mustang Pats Wiring Diagram Manual
  - Interactive Elements Ford Mustang Pats Wiring Diagram Manual
- 8. Staying Engaged with Ford Mustang Pats Wiring Diagram Manual
  - Joining Online Reading Communities
  - Participating in Virtual Book Clubs
  - Following Authors and Publishers Ford Mustang Pats Wiring Diagram Manual
- 9. Balancing eBooks and Physical Books Ford Mustang Pats Wiring Diagram Manual
  - Benefits of a Digital Library
  - Creating a Diverse Reading Collection Ford Mustang Pats Wiring Diagram Manual
- 10. Overcoming Reading Challenges
  - Dealing with Digital Eye Strain
  - Minimizing Distractions
  - Managing Screen Time
- 11. Cultivating a Reading Routine Ford Mustang Pats Wiring Diagram Manual
  - Setting Reading Goals Ford Mustang Pats Wiring Diagram Manual
  - Carving Out Dedicated Reading Time
- 12. Sourcing Reliable Information of Ford Mustang Pats Wiring Diagram Manual
  - Fact-Checking eBook Content of Ford Mustang Pats Wiring Diagram Manual
  - Distinguishing Credible Sources
- 13. Promoting Lifelong Learning
  - Utilizing eBooks for Skill Development
  - Exploring Educational eBooks
- 14. Embracing eBook Trends
  - Integration of Multimedia Elements
  - Interactive and Gamified eBooks

### Ford Mustang Pats Wiring Diagram Manual Introduction

In today's digital age, the availability of Ford Mustang Pats Wiring Diagram Manual books and manuals for download has revolutionized the way we access information. Gone are the days of physically flipping through pages and carrying heavy textbooks or manuals. With just a few clicks, we can now access a wealth of knowledge from the comfort of our own homes or on the go. This article will explore the advantages of Ford Mustang Pats Wiring Diagram Manual books and manuals for download, along with some popular platforms that offer these resources. One of the significant advantages of Ford Mustang Pats Wiring Diagram Manual books and manuals for download is the cost-saving aspect. Traditional books and manuals can be costly, especially if you need to purchase several of them for educational or professional purposes. By accessing Ford Mustang Pats Wiring Diagram Manual versions, you eliminate the need to spend money on physical copies. This not only saves you money but also reduces the environmental impact associated with book production and transportation.

Furthermore, Ford Mustang Pats Wiring Diagram Manual books and manuals for download are incredibly convenient. With just a computer or smartphone and an internet connection, you can access a vast library of resources on any subject imaginable. Whether you're a student looking for textbooks, a professional seeking industry-specific manuals, or someone interested in self-improvement, these digital resources provide an efficient and accessible means of acquiring knowledge. Moreover, PDF books and manuals offer a range of benefits compared to other digital formats. PDF files are designed to retain their formatting regardless of the device used to open them. This ensures that the content appears exactly as intended by the author, with no loss of formatting or missing graphics. Additionally, PDF files can be easily annotated, bookmarked, and searched for specific terms, making them highly practical for studying or referencing. When it comes to accessing Ford Mustang Pats Wiring Diagram Manual books and manuals, several platforms offer an extensive collection of resources. One such platform is Project Gutenberg, a nonprofit organization that provides over 60,000 free eBooks. These books are primarily in the public domain, meaning they can be freely distributed and downloaded. Project Gutenberg offers a wide range of classic literature, making it an excellent resource for literature enthusiasts. Another popular platform for Ford Mustang Pats Wiring Diagram Manual books and manuals is Open Library. Open Library is an initiative of the Internet Archive, a non-profit organization dedicated to digitizing cultural artifacts and making them accessible to the public. Open Library hosts millions of books, including both public domain works and contemporary titles. It also allows users to borrow digital copies of certain books for a limited period, similar to a library lending system. Additionally, many universities and educational institutions have their own digital libraries that provide free access to PDF books and manuals. These libraries often offer academic texts, research papers, and technical manuals, making them invaluable resources for students and researchers. Some notable examples include MIT OpenCourseWare, which offers free access to course materials from the Massachusetts Institute of Technology, and the Digital Public Library of America, which provides a vast collection of digitized

books and historical documents. In conclusion, Ford Mustang Pats Wiring Diagram Manual books and manuals for download have transformed the way we access information. They provide a cost-effective and convenient means of acquiring knowledge, offering the ability to access a vast library of resources at our fingertips. With platforms like Project Gutenberg, Open Library, and various digital libraries offered by educational institutions, we have access to an ever-expanding collection of books and manuals. Whether for educational, professional, or personal purposes, these digital resources serve as valuable tools for continuous learning and self-improvement. So why not take advantage of the vast world of Ford Mustang Pats Wiring Diagram Manual books and manuals for download and embark on your journey of knowledge?

### FAQs About Ford Mustang Pats Wiring Diagram Manual Books

1. Where can I buy Ford Mustang Pats Wiring Diagram Manual books? Bookstores: Physical bookstores like Barnes & Noble, Waterstones, and independent local stores. Online Retailers: Amazon, Book Depository, and various online bookstores offer a wide range of books in physical and digital formats.
2. What are the different book formats available? Hardcover: Sturdy and durable, usually more expensive. Paperback: Cheaper, lighter, and more portable than hardcovers. E-books: Digital books available for e-readers like Kindle or software like Apple Books, Kindle, and Google Play Books.
3. How do I choose a Ford Mustang Pats Wiring Diagram Manual book to read? Genres: Consider the genre you enjoy (fiction, non-fiction, mystery, sci-fi, etc.). Recommendations: Ask friends, join book clubs, or explore online reviews and recommendations. Author: If you like a particular author, you might enjoy more of their work.
4. How do I take care of Ford Mustang Pats Wiring Diagram Manual books? Storage: Keep them away from direct sunlight and in a dry environment. Handling: Avoid folding pages, use bookmarks, and handle them with clean hands. Cleaning: Gently dust the covers and pages occasionally.
5. Can I borrow books without buying them? Public Libraries: Local libraries offer a wide range of books for borrowing. Book Swaps: Community book exchanges or online platforms where people exchange books.
6. How can I track my reading progress or manage my book collection? Book Tracking Apps: Goodreads, LibraryThing, and Book Catalogue are popular apps for tracking your reading progress and managing book collections. Spreadsheets: You can create your own spreadsheet to track books read, ratings, and other details.
7. What are Ford Mustang Pats Wiring Diagram Manual audiobooks, and where can I find them? Audiobooks: Audio recordings of books, perfect for listening while commuting or multitasking. Platforms: Audible, LibriVox, and Google



Play Books offer a wide selection of audiobooks.

8. How do I support authors or the book industry? Buy Books: Purchase books from authors or independent bookstores. Reviews: Leave reviews on platforms like Goodreads or Amazon. Promotion: Share your favorite books on social media or recommend them to friends.
9. Are there book clubs or reading communities I can join? Local Clubs: Check for local book clubs in libraries or community centers. Online Communities: Platforms like Goodreads have virtual book clubs and discussion groups.
10. Can I read Ford Mustang Pats Wiring Diagram Manual books for free? Public Domain Books: Many classic books are available for free as they're in the public domain. Free E-books: Some websites offer free e-books legally, like Project Gutenberg or Open Library.

### **Find Ford Mustang Pats Wiring Diagram Manual :**

[leeds castle](#)

[legado del judaismo espaaol el](#)

[legal homicide death as punishment in america 18641982](#)

*legal ibues of european integration pt 1 legal ibues of european integration*

**leer gestern heute morgen**

*left tackle thayer*

**lend a hand boys sanitary squad or when the fever came to blairstown**

**legends of the eight immortals**

*leisure riots*

**legal theory and common law**

**legendes de la cotenord**

**legion of special forces taking back our city**

**leninism under lenin**

**legends of the pendragon**

[left foot forward](#)

### **Ford Mustang Pats Wiring Diagram Manual :**

Economics. Michael Parkin 10th Edition Textbook Solutions Textbook solutions for Economics. Michael Parkin 10th Edition

Michael Parkin and others in this series. View step-by-step homework solutions for your ... SOLUTION: Economics global edition 10th edition parkin ... Access over 20 million homework & study documents · Economics global edition 10th edition parkin solutions manual · Ongoing Conversations. Economics 10th Edition Textbook Solutions Textbook solutions for Economics 10th Edition Michael Parkin and others in this series. View step-by-step homework solutions for your homework. Macroeconomics Micheal Parkin 10th Edition Solution ... Review Quiz Answers-Chapter 4. 1. Define GDP and distinguish between a final good and an intermediate good. Provide examples. Economics Global Edition 10th Edition Parkin Solutions ... Economics Global Edition 10th Edition Parkin Solutions Manual | PDF | Tangent | Slope. Macroeconomics, Michael Parkin, 10th Edition, Solution- ... PARKIN MACROECONOMICS Solutions to Odd-numbered Problems CHAPTER 1 1. The opportunity cost of the extra 10 points is the... Macroeconomics 10th Edition Textbook Solutions - Chegg Access Macroeconomics 10th Edition solutions now. Our solutions are written by Chegg ... ISBN-13:9780131394452 ISBN:0131394452 Authors: Michael Parkin Rent | Buy. Macroeconomics, Micheal Parkin, 10th Edition-Solution ... Review Quiz Answers-Chapter 4 1. Define GDP and distinguish between a final good and an intermediate good. Provide examp... Microeconomics With Study Guide 10th Edition Textbook ... Access Microeconomics with Study Guide 10th Edition solutions now. Our solutions are written by Chegg experts so you can be assured of the highest quality! economics Professor Parkin's research on macroeconomics, monetary economics, and international economics has resulted in over 160 publications in journals and edited ... Manual of Ovulation Induction and... by Allahbadia, Gautam Manual of Ovulation Induction and Ovarian Stimulation Protocols · Book overview. Brand New International Paper-back Edition Same as per description ... Allahbadia G., editor. The Manual of Ovulation Induction by DB Seifer · 2003 — This manual provides a good and succinct review of ovulation induction for the OB-GYN generalist who practices infertility and those currently in clinical ... Manual of Ovulation Induction & Ovarian Stimulation ... Manual of Ovulation Induction and Ovarian Stimulation Protocols encompasses all aspects of ovulation induction and current stimulation protocols in detail. Manual of Ovulation Induction: 9781904798422 This book covers all aspects of ovulation induction that a clinician needs to know including all known current stimulation protocols and induction strategies. Book Review: Manual of Ovulation Induction, 1st ed. Edited ... by E Confino · 2002 — Book Review: Manual of Ovulation Induction, 1st ed. Edited by Gautam Allahbadia, MD, DNB, Rotunda, Medical Technology, Ltd., Mumbai, India, 2001. A:1014797023782.pdf by E Confino · 2002 — Manual of Ovulation Induction, 1st ed. Edited by. Gautam Allahbadia ... The book thoroughly covers adjunctive treatments during ovulation ... Manual of Intrauterine Insemination and Ovulation Induction Reviews. "This is a thorough discussion of techniques and therapeutic options for using intrauterine insemination and ovulation induction for infertility ... Manual Of Ovulation Induction Ovarian Stimulation Full PDF Manual Of Ovulation Induction Ovarian Stimulation. 1. Manual Of Ovulation Induction Ovarian Stimulation. Manual Of Ovulation Induction Ovarian Stimulation. Manual intrauterine insemination and ovulation induction This is a comprehensive account of how to set

up and run a successful IUI program. The book addresses the practical aspects of treatments that will produce ... Manual of Intrauterine Insemination and Ovulation Induction. A comprehensive and practical account of how to set up and run a successful IUI and ovulation induction program. Jim Murray's Whisky Bible | Buy The Whiskey Bible & Whisky ... In 2003 Jim Murray trail-blazed again when he created, designed and wrote Jim Murray's Whisky Bible, the first ever annual guide to every new whisky produced in ... Jim Murray's Whisky Bible | Buy The Whiskey Bible & Whisky ... In 2003 Jim Murray trail-blazed again when he created, designed and wrote Jim Murray's Whisky Bible, the first ever annual guide to every new whisky produced in ... Sexism In Whisky: Why You Shouldn't Read The ... Sep 20, 2020 — The bestselling whisky book in the world, Jim Murray's Whisky Bible, has a serious sexism problem. Jim Murray (@jim\_murray\_whisky\_bible) The World's Leading Whisky Guide #jimmurrayswhiskybible #Jimmurray #whiskybible ... Fire Hazard!! Jim takes time out from signing Whisky Bible orders to celebrate ... Jim Murray's Whisky Bible Jim Murray's Whisky Bible. 15476 likes · 141 talking about this · 1 was here. The world's leading whisky guide from the world's foremost whisky authority. Jim Murray (whisky writer) Jim Murray's Whisky Bible is an ongoing project, with the first of the series having been published in 2003. It is a compact guide containing every whisky that ... Jim Murray, a Top Whiskey Critic, Faces Accusations of ... Oct 1, 2020 — Schrieberg on Sept 17. He had seen one of the reviews from the latest edition of the “Whisky Bible,” in which Mr. Murray used overtly sexual ... Jim Murray's Whiskey Bible 2022: North American Edition The 4,700 whiskies included in this 2022 edition range from Scottish Single malts to Australian; from Canadian to Austrian. The whiskies from over 30 different ... Blended Whiskey - Jim Murray's Whisky Bible - Morton Williams New York fine wine and spirits. Independently owned and operated. OPEN 12/24 11am-6pm. CLOSED 12/25. 212-213-0021.