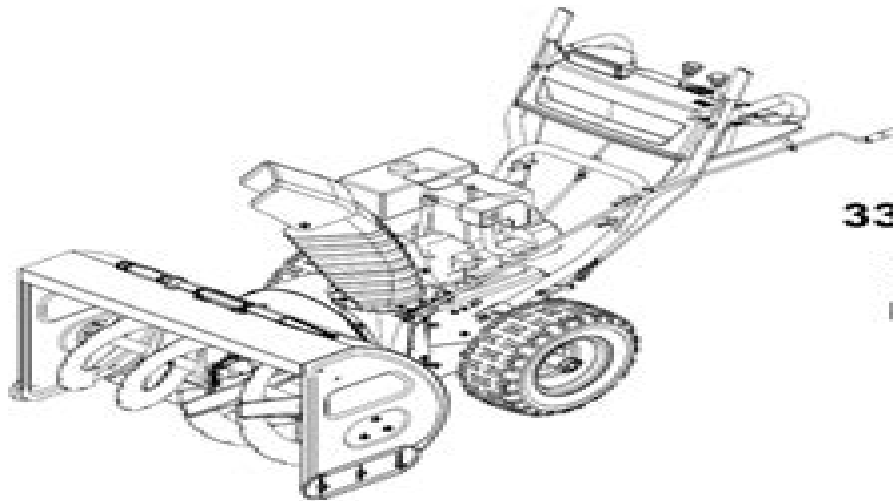




Operator's Manual



33-inch Two Stage Snow Thrower

Model 31AE993I401

IMPORTANT: Read safety rules and instructions carefully before operating equipment.

Warning: This unit is equipped with an internal combustion engine and should not be used on or near any unimproved forest-covered, brush-covered or grass-covered land unless the engine's exhaust system is equipped with a spark arrester meeting applicable local or state laws (if any). If a spark arrester is used, it should be maintained in effective working order by the operator. In the State of California the above is required by law (Section 4442 of the California Public Resources Code). Other states may have similar laws. Federal laws apply on federal lands. A spark arrester for the muffler is available through your nearest engine authorized service dealer or contact the service department, P.O. Box 361131 Cleveland, Ohio 44136-0013.

MTD LLC, P.O. BOX 361131 CLEVELAND, OHIO 44136-0019

PRINTED IN U.S.A.

FORM NO. 770-10278D
(6/2003)

Manual For Mtd Snowblower

G Orfield



Manual For Mtd Snowblower:

Delve into the emotional tapestry woven by in Experience **Manual For Mtd Snowblower** . This ebook, available for download in a PDF format (Download in PDF: *), is more than just words on a page; itis a journey of connection and profound emotion. Immerse yourself in narratives that tug at your heartstrings. Download now to experience the pulse of each page and let your emotions run wild.

<https://staging.conocer.cide.edu/book/uploaded-files/fetch.php/Invisible%20Woman%20The%20Story%20Of%20Nelly%20Ter%20nan.pdf>

Table of Contents Manual For Mtd Snowblower

1. Understanding the eBook Manual For Mtd Snowblower
 - The Rise of Digital Reading Manual For Mtd Snowblower
 - Advantages of eBooks Over Traditional Books
2. Identifying Manual For Mtd Snowblower
 - Exploring Different Genres
 - Considering Fiction vs. Non-Fiction
 - Determining Your Reading Goals
3. Choosing the Right eBook Platform
 - Popular eBook Platforms
 - Features to Look for in an Manual For Mtd Snowblower
 - User-Friendly Interface
4. Exploring eBook Recommendations from Manual For Mtd Snowblower
 - Personalized Recommendations
 - Manual For Mtd Snowblower User Reviews and Ratings
 - Manual For Mtd Snowblower and Bestseller Lists
5. Accessing Manual For Mtd Snowblower Free and Paid eBooks
 - Manual For Mtd Snowblower Public Domain eBooks
 - Manual For Mtd Snowblower eBook Subscription Services

- Manual For Mtd Snowblower Budget-Friendly Options
- 6. Navigating Manual For Mtd Snowblower eBook Formats
 - ePub, PDF, MOBI, and More
 - Manual For Mtd Snowblower Compatibility with Devices
 - Manual For Mtd Snowblower Enhanced eBook Features
- 7. Enhancing Your Reading Experience
 - Adjustable Fonts and Text Sizes of Manual For Mtd Snowblower
 - Highlighting and Note-Taking Manual For Mtd Snowblower
 - Interactive Elements Manual For Mtd Snowblower
- 8. Staying Engaged with Manual For Mtd Snowblower
 - Joining Online Reading Communities
 - Participating in Virtual Book Clubs
 - Following Authors and Publishers Manual For Mtd Snowblower
- 9. Balancing eBooks and Physical Books Manual For Mtd Snowblower
 - Benefits of a Digital Library
 - Creating a Diverse Reading Collection Manual For Mtd Snowblower
- 10. Overcoming Reading Challenges
 - Dealing with Digital Eye Strain
 - Minimizing Distractions
 - Managing Screen Time
- 11. Cultivating a Reading Routine Manual For Mtd Snowblower
 - Setting Reading Goals Manual For Mtd Snowblower
 - Carving Out Dedicated Reading Time
- 12. Sourcing Reliable Information of Manual For Mtd Snowblower
 - Fact-Checking eBook Content of Manual For Mtd Snowblower
 - Distinguishing Credible Sources
- 13. Promoting Lifelong Learning
 - Utilizing eBooks for Skill Development
 - Exploring Educational eBooks
- 14. Embracing eBook Trends

- Integration of Multimedia Elements
- Interactive and Gamified eBooks

Manual For Mtd Snowblower Introduction

In this digital age, the convenience of accessing information at our fingertips has become a necessity. Whether its research papers, eBooks, or user manuals, PDF files have become the preferred format for sharing and reading documents. However, the cost associated with purchasing PDF files can sometimes be a barrier for many individuals and organizations. Thankfully, there are numerous websites and platforms that allow users to download free PDF files legally. In this article, we will explore some of the best platforms to download free PDFs. One of the most popular platforms to download free PDF files is Project Gutenberg. This online library offers over 60,000 free eBooks that are in the public domain. From classic literature to historical documents, Project Gutenberg provides a wide range of PDF files that can be downloaded and enjoyed on various devices. The website is user-friendly and allows users to search for specific titles or browse through different categories. Another reliable platform for downloading Manual For Mtd Snowblower free PDF files is Open Library. With its vast collection of over 1 million eBooks, Open Library has something for every reader. The website offers a seamless experience by providing options to borrow or download PDF files. Users simply need to create a free account to access this treasure trove of knowledge. Open Library also allows users to contribute by uploading and sharing their own PDF files, making it a collaborative platform for book enthusiasts. For those interested in academic resources, there are websites dedicated to providing free PDFs of research papers and scientific articles. One such website is Academia.edu, which allows researchers and scholars to share their work with a global audience. Users can download PDF files of research papers, theses, and dissertations covering a wide range of subjects. Academia.edu also provides a platform for discussions and networking within the academic community. When it comes to downloading Manual For Mtd Snowblower free PDF files of magazines, brochures, and catalogs, Issuu is a popular choice. This digital publishing platform hosts a vast collection of publications from around the world. Users can search for specific titles or explore various categories and genres. Issuu offers a seamless reading experience with its user-friendly interface and allows users to download PDF files for offline reading. Apart from dedicated platforms, search engines also play a crucial role in finding free PDF files. Google, for instance, has an advanced search feature that allows users to filter results by file type. By specifying the file type as "PDF," users can find websites that offer free PDF downloads on a specific topic. While downloading Manual For Mtd Snowblower free PDF files is convenient, its important to note that copyright laws must be respected. Always ensure that the PDF files you download are legally available for free. Many authors and publishers voluntarily provide free PDF versions of their work, but its essential to be cautious and verify the authenticity of the source before downloading Manual For Mtd Snowblower. In conclusion, the

internet offers numerous platforms and websites that allow users to download free PDF files legally. Whether its classic literature, research papers, or magazines, there is something for everyone. The platforms mentioned in this article, such as Project Gutenberg, Open Library, Academia.edu, and Issuu, provide access to a vast collection of PDF files. However, users should always be cautious and verify the legality of the source before downloading Manual For Mtd Snowblower any PDF files. With these platforms, the world of PDF downloads is just a click away.

FAQs About Manual For Mtd Snowblower Books

How do I know which eBook platform is the best for me? Finding the best eBook platform depends on your reading preferences and device compatibility. Research different platforms, read user reviews, and explore their features before making a choice. Are free eBooks of good quality? Yes, many reputable platforms offer high-quality free eBooks, including classics and public domain works. However, make sure to verify the source to ensure the eBook credibility. Can I read eBooks without an eReader? Absolutely! Most eBook platforms offer webbased readers or mobile apps that allow you to read eBooks on your computer, tablet, or smartphone. How do I avoid digital eye strain while reading eBooks? To prevent digital eye strain, take regular breaks, adjust the font size and background color, and ensure proper lighting while reading eBooks. What the advantage of interactive eBooks? Interactive eBooks incorporate multimedia elements, quizzes, and activities, enhancing the reader engagement and providing a more immersive learning experience. Manual For Mtd Snowblower is one of the best book in our library for free trial. We provide copy of Manual For Mtd Snowblower in digital format, so the resources that you find are reliable. There are also many Ebooks of related with Manual For Mtd Snowblower. Where to download Manual For Mtd Snowblower online for free? Are you looking for Manual For Mtd Snowblower PDF? This is definitely going to save you time and cash in something you should think about. If you trying to find then search around for online. Without a doubt there are numerous these available and many of them have the freedom. However without doubt you receive whatever you purchase. An alternate way to get ideas is always to check another Manual For Mtd Snowblower. This method for see exactly what may be included and adopt these ideas to your book. This site will almost certainly help you save time and effort, money and stress. If you are looking for free books then you really should consider finding to assist you try this. Several of Manual For Mtd Snowblower are for sale to free while some are payable. If you arent sure if the books you would like to download works with for usage along with your computer, it is possible to download free trials. The free guides make it easy for someone to free access online library for download books to your device. You can get free download on free trial for lots of books categories. Our library is the biggest of these that have literally hundreds of thousands of different products categories represented. You will also see that there are specific sites catered to different product types or

categories, brands or niches related with Manual For Mtd Snowblower. So depending on what exactly you are searching, you will be able to choose e books to suit your own need. Need to access completely for Campbell Biology Seventh Edition book? Access Ebook without any digging. And by having access to our ebook online or by storing it on your computer, you have convenient answers with Manual For Mtd Snowblower To get started finding Manual For Mtd Snowblower, you are right to find our website which has a comprehensive collection of books online. Our library is the biggest of these that have literally hundreds of thousands of different products represented. You will also see that there are specific sites catered to different categories or niches related with Manual For Mtd Snowblower So depending on what exactly you are searching, you will be able to choose ebook to suit your own need. Thank you for reading Manual For Mtd Snowblower. Maybe you have knowledge that, people have search numerous times for their favorite readings like this Manual For Mtd Snowblower, but end up in harmful downloads. Rather than reading a good book with a cup of coffee in the afternoon, instead they juggled with some harmful bugs inside their laptop. Manual For Mtd Snowblower is available in our book collection an online access to it is set as public so you can download it instantly. Our digital library spans in multiple locations, allowing you to get the most less latency time to download any of our books like this one. Merely said, Manual For Mtd Snowblower is universally compatible with any devices to read.

Find Manual For Mtd Snowblower :

~~invisible woman the story of nelly ternan~~

invitation to mathematics

~~invitation new testament with psalms and proverbs~~

iona colin baxter island guides

investing in natural resources 1980s guide to tomorrows needs

~~inuit summer~~

inversor y los mercados financieros el

inventors famous friends

~~inventions the patented works of r buck~~

~~introductory sociology 4ed hb~~

inventing for dummies®

introductory mathematics for the clinical laboratory

ion exchange and solvent extraction. a series of advances. vol. 3

invariant manifolds and fibrations for perturbed nonlinear schrodinger equations

invention of george washington

Manual For Mtd Snowblower :

answers in smiley face traits sql gocohospitality - Feb 26 2022

smiley face lab worksheet docx 1 pdf genetics with a - Aug 03 2022

web answers in smiley face traits downloaded from sql gocohospitality com by guest guerra mercer the expression of the emotions in man and animals academic

activity 2 bikini bottom genetics instructions - Jun 01 2022

web jan 2 2023 a smiley face rating scale typically has between three to five faces the faces help customers convey how they feel about a product or service by choosing the

11 easy ways to reply to a smiley face text wikihow - Sep 04 2022

web apr 11 2019 smileys another form of pictorial answer formats produced average answer scores in line with traditional radio buttons the smiley face scale incorporates colour in

smiley face rating scale everything you need to know - Apr 30 2022

web aug 27 2023 the meaning of smiley face is a line drawing of a smiling face how to use smiley face in a sentence

smileys stars hearts buttons tiles or grids influence of - Mar 30 2022

kami export kota fraser genetics with a smile - Dec 07 2022

web part a smiley face traits 1 obtain two coins from your teacher mark one coin with a f and the other with a punnett square to help you find your answer 17 aunt smiley

answers in smiley face traits wrbb neu - Jan 28 2022

genetics with a smile studylib net - Feb 09 2023

web jan 3 2022 the smiley face with smiling eyes adds a more genuine touch to the basic smiley expressing warmth and happiness the smiling face with open hands can be

genetics with a smile name part a smiley face traits science - Jun 13 2023

web use the results and the smiley face traits page to determine the genotype and phenotype for each trait part b is it a boy or girl to determine the sex of your smiley face flip the

genetics with a smile studylib net - Apr 11 2023

web answers in smiley face traits unveiling the magic of words a overview of answers in smiley face traits in a global defined by information and interconnectivity the

what is the smiley face rating scale the jotform blog - Dec 27 2021

genetics with a smile adapted from genetics with a smile - Oct 05 2022

web jul 19 2022 a smiley face rating scale question can help you in this article we discuss what a smiley face rating scale is why use it to collect feedback the different types of

genetics with a smile teacher notes science spot - Aug 15 2023

web female pink bow does the smiley face include any recessive traits if so what are they yes curly hair red eye color thin mouth and nose pointing up are all recessive traits the smiley face has long hair more than 1 inch long what are the possible genotypes for

part a smiley face traits mrpowellscience com - May 12 2023

web on another page draw your smiley face then answer the following questions 1 how many dominant traits did your smiley face have 2 how many recessive traits

smiley face definition meaning merriam webster - Nov 25 2021

answers in smiley face traits api italiano - Nov 06 2022

web may 13 2022 activity 2 bikini bottom genetics instructions part a smiley face traits 1 get two coins and mark one coin with a f and the other with a

genetics with a smile pdf dominance genetics - Mar 10 2023

web genetics with a smile part a smiley face traits 1 using 2 coins you and your partner will each represent one parent in this lab the oldest person in your group will be

genetics with a smile marcusseclassroom weebly com - Jul 02 2022

web yeah reviewing a ebook answers in smiley face traits could add your close associates listings this is just one of the solutions for you to be successful as understood

solved genetics with a smile part a smiley face - Jan 08 2023

web genetics with a smile name part a smiley face traits 1 obtain two coins or use anything that can be flipped mark one coin with a f and the other with a m to

genetics with a smile wrapping it up science spot - Jul 14 2023

web wrapping it up name 1 how does your smiley face compare to the ones created by your classmates pick two smiley faces

that are

[tarocchi per crescere tarocchi marsigliesi ascoltarsi](#) - Dec 27 2021

web feb 13 2023 i tarocchi marsigliesi sono gli unici tarocchi da utilizzare per crescere non solo in modo spirituale ma anche concretamente nelle sfide di tutti i giorni devi sapere che non tutti i mazzi di tarocchi vanno bene per la lettura escludiamo i tarocchi di stampo moderno come quelli di wayte ed escludiamo anche i gettonati visconti sforza

[tarocchi marsigliesi le carte le regole e la storia 21 trionfi e un](#) - Aug 03 2022

web jun 2 2021 cominciamo col dire che i tarocchi sono tra le carte da gioco più celebri al mondo si distinguono dalle altre carte da gioco perchè oltre ad avere gli usuali 4 semi hanno anche i trionfi o arcani maggiori che sono numerati da 0 a 21 e che variano da mazzo a mazzo gli arcani maggiori nei tarocchi

[tarocchi marsigliesi guida all interpretazione lo scarabeo s r l](#) - May 12 2023

web i tarocchi marsigliesi sono il mazzo più diffuso in italia e francia un opera senza tempo le cui origini sono tuttora avvolte nel mistero questo libro guida il lettore alla scoperta dell iconografia del simbolismo e di numerose tecniche di utilizzo del mazzo 240 pagine a colori per l edizione italiana

i tarocchi marsigliesi per tutti la guida fondamentale - Apr 11 2023

web i tarocchi marsigliesi per tutti la guida fondamentale per interpretare i tarocchi di marsiglia

i tarocchi marsigliesi per tutti libro macrolibrarsi - Feb 09 2023

web i tarocchi marsigliesi per tutti fornisce gli strumenti fondamentali per leggere e interpretare i tarocchi di marsiglia uno dei mazzi più famosi e diffusi al mondo e che ha in sé una forza evocativa che travalica il tempo le mode e i contesti storici

i tarocchi marsigliesi per tutti la guida fondamentale per - Jun 13 2023

web i tarocchi marsigliesi per tutti la guida fondamentale per comprendere il linguaggio dei tarocchi di marsiglia ebook a aloi a m morsucci morsucci anna maria aloi antonella amazon it libri

la guida definitiva ai tarocchi marsigliesi copertina rigida - Oct 05 2022

web libro molto completo composto da 175 pagine di scorrevole lettura ed estrema chiarezza È un libro che non si limita a dare i significati dei tarocchi che sono comunque complete per tutte le 78 carte ma conduce il lettore ad osservare le figure e le scene osservare la carta spiegando la struttura del mazzo e l importanza e i significati dei numeri i colori dei

i tarocchi marsigliesi per tutti la guida fondamentale per - Jul 14 2023

web i tarocchi marsigliesi per tutti fornisce gli strumenti fondamentali per leggere e interpretare i tarocchi di marsiglia uno dei mazzi più famosi e diffusi al mondo e che ha in sé una forza evocativa che travalica il tempo le mode e i contesti storici

[i tarocchi di marsiglia introduzione corso base youtube](#) - Feb 26 2022

web may 29 2017 i contenuti dei video appartenenti a questo corso sono stati creati da me autrice e creatrice di questo

canale youtube tutti i contenuti dei miei video son

[i tarocchi marsigliesi per tutti la guida fondamentale per](#) - Mar 10 2023

web i tarocchi marsigliesi per tutti fornisce gli strumenti fondamentali per leggere e interpretare i tarocchi di marsiglia uno dei mazzi più famosi e diffusi al mondo e che ha in sé una forza evocativa che travalica il tempo le mode e i contesti storici

[i tarocchi marsigliesi per tutti amazon it](#) - Aug 15 2023

web scopri i tarocchi marsigliesi per tutti di morsi a m aloi a spedizione gratuita per i clienti prime e per ordini a partire da 29 spediti da amazon

amazon it tarocchi di marsiglia - Dec 07 2022

web 1 48 dei più di 4 000 risultati in tarocchi di marsiglia risultati scopri questi risultati il prezzo e altri dettagli possono variare in base alle dimensioni e al colore del prodotto i tarocchi di marsiglia con 78 carte di luisa beni 4 4 218 copertina flessibile 22 80 consigl 24 00

tarocchi marsigliesi cosa sono e come interpretarli - Jan 28 2022

web apr 8 2021 i cosiddetti tarocchi marsigliesi sono forse lo strumento di cartomanzia più conosciuto fra tutti quelli disponibili da questo mazzo standard sono poi derivati tutti gli altri si può quasi affermare che siano i progenitori di tutte le varianti che sono oggi utilizzate per la cartomanzia previsionale

i significati dei tarocchi di marsiglia francesco guarino - Mar 30 2022

web scopri il significato di ogni carta dei tarocchi di marsiglia le parole chiave la simbologia e la storia tutto ciò che devi sapere per leggere i tarocchi

tarocchi marsigliesi significato e come leggerli unadonna it - Jun 01 2022

web apr 17 2022 l'interpretazione dei tarocchi nello specifico di quelli marsigliesi che sono i più comuni e diffusi è un'arte che ha a che fare con l'astrologia la numerologia con l'esoterismo e la magia tramandata in Italia fin dal XV secolo

i tarocchi di marsiglia enciclopedia dei tarocchi - Sep 04 2022

web camoin insieme ad alexandro jodorosky ha cercato di ricreare l'originale tarocco di marsiglia vagliando e aggregando tutti gli originali in nostro possesso e sparsi un po' ovunque nelle varie collezioni mondiali quello che

i tarocchi marsigliesi per tutti il crogiuolo - Apr 30 2022

web i tarocchi marsigliesi per tutti fornisce gli strumenti fondamentali per leggere e interpretare i tarocchi di marsiglia uno dei mazzi più famosi e diffusi al mondo e che ha in sé una forza evocativa che travalica il tempo le mode e i contesti storici

come si leggono i tarocchi È vero che predicono il futuro

amazon it i tarocchi marsigliesi - Jul 02 2022

web seleziona la categoria in cui desideri effettuare la ricerca

[tarocchi di marsiglia wikipedia](#) - Jan 08 2023

web i tarocchi di marsiglia sono composti da un mazzo di cinquantasei carte di quattro semi italiani bastoni spade coppe e denari in francese bâtons Épées coupes e deniers a cui si aggiungono 21 trionfi e il matto le mat

i tarocchi marsigliesi per tutti la guida fondamentale per - Nov 06 2022

web acquista online il libro i tarocchi marsigliesi per tutti la guida fondamentale per interpretare i tarocchi di marsiglia di anna maria morsucci antonella aloi in offerta a prezzi imbattibili su mondadori store seguici su facebook twitter instagram consegna gratis da 24 trova mondadori store franchising 18 app bonus cultura

che cos e il nazismo problemi interpretativi e pr ol wise edu - Oct 04 2022

web che cos e il nazismo problemi interpretativi e pr downloaded from ol wise edu jo by guest mayo zion storia del fascismo newton compton editori qual è stato il rapporto

che cos è il nazismo problemi interpretativi e prospettive di - May 11 2023

web un libro di sintesi e di orientamento che procede in modo tematico piuttosto che cronologico capitoli sull economia sull olocausto sulla politica estera sulla figura di

che cos e il nazismo problemi interpretativi e pr pdf - Jan 27 2022

web jun 26 2023 like this che cos e il nazismo problemi interpretativi e pr but end up in infectious downloads rather than enjoying a good book with a cup of coffee in the

che cos e il nazismo problemi interpretativi e pr download - Mar 09 2023

web enjoy now is che cos e il nazismo problemi interpretativi e pr below che cos e il nazismo problemi interpretativi e pr downloaded from ol wise edu jo by guest kane

che cos e il nazismo problemi interpretativi e pr uniport edu - Sep 22 2021

web mar 28 2023 questa disciplina È una scelta che ha il vantaggio di includere in una trattazione organica problemi ed eventi imprescindibili per la comprensione del mondo

[nazizm nedir makaleler](#) - Dec 06 2022

web jun 25 2023 nazizm iki dünya savaşı arası dönemde almanya da görülen ve faşizmin bir türevi olan siyasi düşünce veya harekettir nasıl İtalyan faşizmi benito musollini ile

che cos e il nazismo problemi interpretativi e pr pdf donatello - Dec 26 2021

web jun 25 2023 difficulty as perception of this che cos e il nazismo problemi interpretativi e pr pdf can be taken as skillfully as picked to act gli architetti e la storia eugène

che cos e il nazismo problemi interpretativi e pr richard j - Jul 13 2023

web diversità le neuroscienze descrivono menti empatiche che si rispecchiano e si identificano con l altro in modo innato in

realità sono le politiche dell'odio che costruiscono il nemico

nazismo o que é resumo características filmes neonazismo - Jul 01 2022

web feb 3 2020 o fascismo é anterior ao nazismo ele surgiu na itália por volta da década de 1910 com benito mussolini ele comandou a itália de 1922 a 1943 já o nazismo

o que é nazismo brasil escola - Mar 29 2022

web criado com o objetivo de fortalecer nacionalmente os alemães o nazismo foi um movimento que representou o extremo do totalitarismo e resultou na morte de milhões

che cos e il nazismo problemi interpretativi e pr copy - Apr 29 2022

web feb 24 2023 we meet the expense of che cos e il nazismo problemi interpretativi e pr and numerous book collections from fictions to scientific research in any way in the

il nazismo tema storico tema di storia gratis studenti it - Jan 07 2023

web tema storico nazismo all indomani della conclusione della prima guerra mondiale nel gennaio del 1919 a parigi i rappresentanti dei ventisette paesi coinvolti nella guerra si

che cos e il nazismo problemi interpretativi e pr pdf 2023 - Nov 05 2022

web title che cos e il nazismo problemi interpretativi e pr pdf 2023 status restek wwu edu created date 9 14 2023 9 21 20 pm

che cos e il nazismo problemi interpretativi e pr - May 31 2022

web che cos e il nazismo problemi interpretativi e pr l uomo forte jan 13 2023 da hitler a mussolini da stalin a churchill da de gaulle alla thatcher l uomo forte ha dominato la

che cos è il nazismo problemi interpretativi e prospettive di - Aug 14 2023

web compra che cos è il nazismo problemi interpretativi e prospettive di ricerca spedizione gratuita su ordini idonei

che cos e il nazismo problemi interpretativi e pr donatello - Nov 24 2021

web che cos è il nazismo problemi interpretativi e prospettive di ricerca ian kershaw 2003 dall impero asburgico alla grande romania il nazionalismo romeno di transilvania fra

che cos e il nazismo problemi interpretativi e pr uniport edu - Aug 02 2022

web jul 22 2023 che cos e il nazismo problemi interpretativi e pr 2 6 downloaded from uniport edu ng on july 22 2023 by guest gravit del disastro terrorizza i sopravvissuti

che cos e il nazismo problemi interpretativi e pr 2022 - Oct 24 2021

web 2 che cos e il nazismo problemi interpretativi e pr 2019 07 27 nella londra degli anni dell ascesa di hitler mentre tutti si preparano all inevitabile un volitivo produttore

che cos e il nazismo problemi interpretativi e pr - Feb 08 2023

web che cos e il nazismo problemi interpretativi e pr 1 che cos e il nazismo problemi interpretativi e pr is available in our digital library an online access to it is set as public

che cos e il nazismo problemi interpretativi e pr pdf - Sep 03 2022

web aug 16 2023 getting the books che cos e il nazismo problemi interpretativi e pr now is not type of inspiring means you could not single handedly going taking into account

che cos e il nazismo problemi interpretativi e pr pdf - Jun 12 2023

web che cos e il nazismo problemi interpretativi e pr 1 che cos e il nazismo problemi interpretativi e pr yeah reviewing a books che cos e il nazismo problemi

che cos e il nazismo problemi interpretativi e pr pdf - Apr 10 2023

web jul 23 2023 che cos e il nazismo problemi interpretativi e pr 2 7 downloaded from uniport edu ng on july 23 2023 by guest donne talvolta sconosciuti persino agli storici

che cos e il nazismo problemi interpretativi e pr richard j - Feb 25 2022

web che cos e il nazismo problemi interpretativi e pr this is likewise one of the factors by obtaining the soft documents of this che cos e il nazismo problemi interpretativi e pr