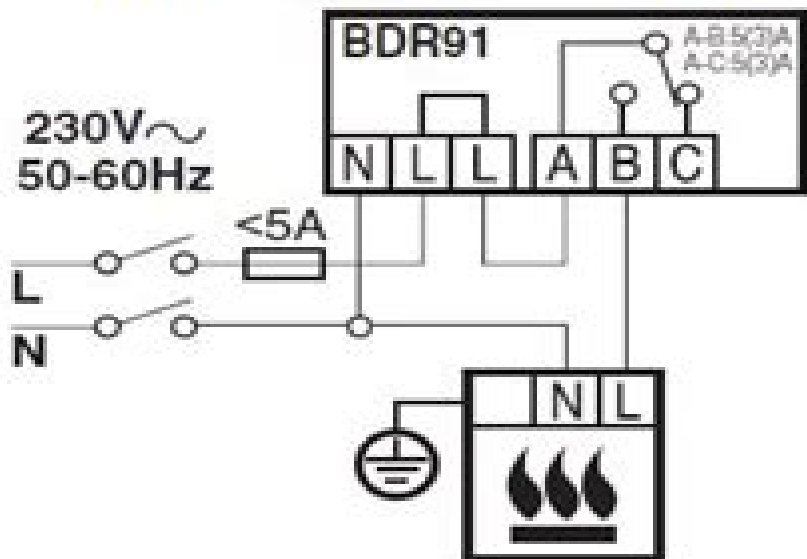
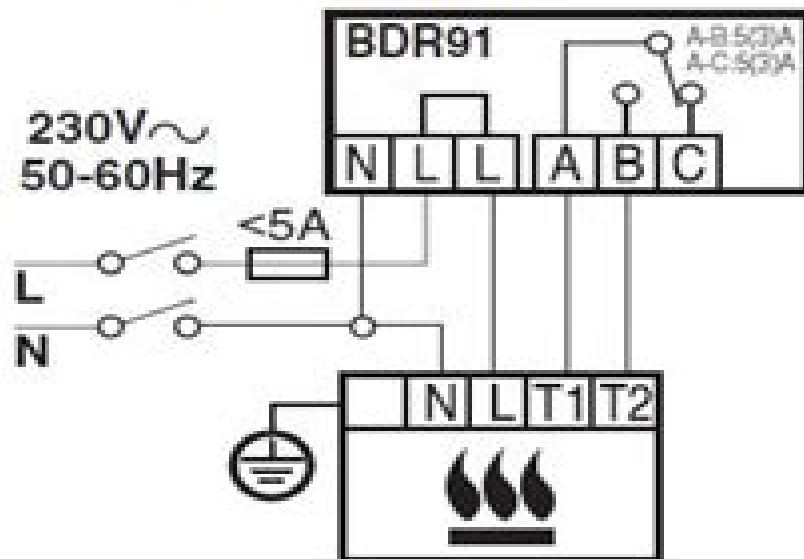


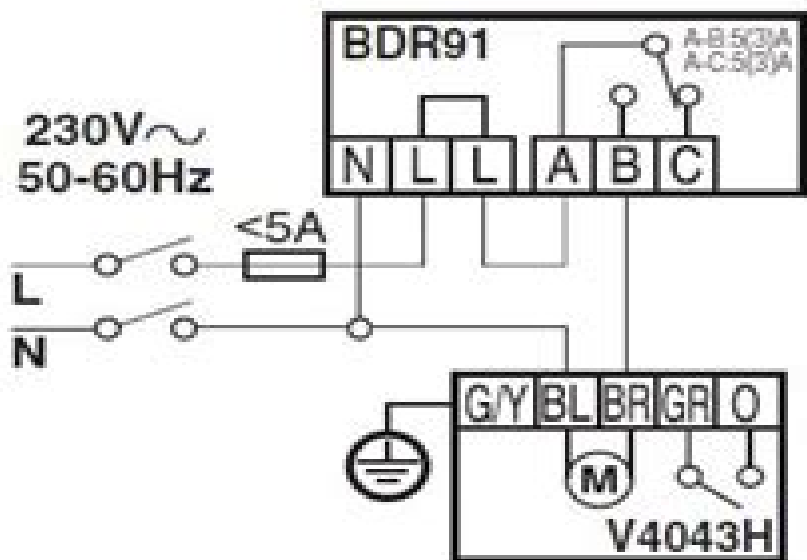
### Burner (direct control)



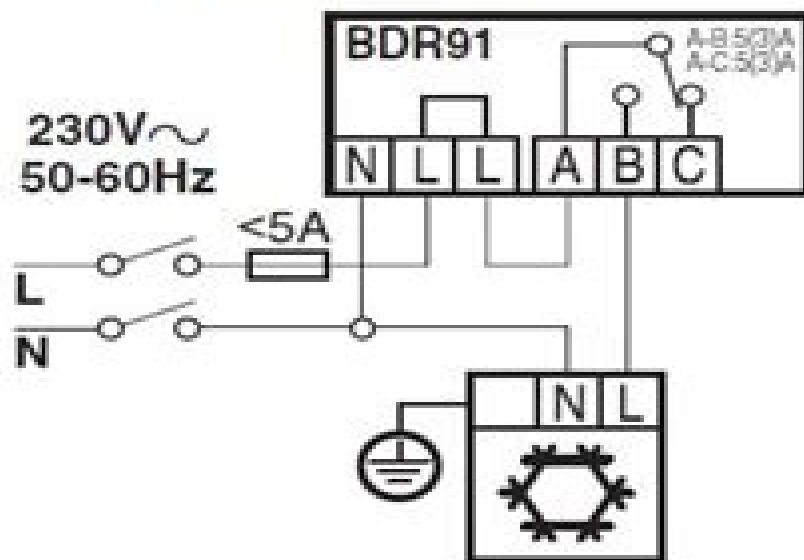
### Combi boiler



### Zone valve



### Cooling device



# Honeywell Cm 900 User Guide

**Yijin Wang**



## **Honeywell Cm 900 User Guide:**

This is likewise one of the factors by obtaining the soft documents of this **Honeywell Cm 900 User Guide** by online. You might not require more become old to spend to go to the ebook start as capably as search for them. In some cases, you likewise realize not discover the notice Honeywell Cm 900 User Guide that you are looking for. It will entirely squander the time.

However below, gone you visit this web page, it will be therefore completely simple to acquire as with ease as download guide Honeywell Cm 900 User Guide

It will not tolerate many become old as we tell before. You can realize it while action something else at home and even in your workplace. hence easy! So, are you question? Just exercise just what we manage to pay for below as competently as review **Honeywell Cm 900 User Guide** what you subsequently to read!

[https://staging.conocer.cide.edu/public/publication/HomePages/le\\_bacille\\_eacutedition\\_inteacutegrade.pdf](https://staging.conocer.cide.edu/public/publication/HomePages/le_bacille_eacutedition_inteacutegrade.pdf)

## **Table of Contents Honeywell Cm 900 User Guide**

1. Understanding the eBook Honeywell Cm 900 User Guide
  - The Rise of Digital Reading Honeywell Cm 900 User Guide
  - Advantages of eBooks Over Traditional Books
2. Identifying Honeywell Cm 900 User Guide
  - Exploring Different Genres
  - Considering Fiction vs. Non-Fiction
  - Determining Your Reading Goals
3. Choosing the Right eBook Platform
  - Popular eBook Platforms
  - Features to Look for in an Honeywell Cm 900 User Guide
  - User-Friendly Interface
4. Exploring eBook Recommendations from Honeywell Cm 900 User Guide

- Personalized Recommendations
- Honeywell Cm 900 User Guide User Reviews and Ratings
- Honeywell Cm 900 User Guide and Bestseller Lists
- 5. Accessing Honeywell Cm 900 User Guide Free and Paid eBooks
  - Honeywell Cm 900 User Guide Public Domain eBooks
  - Honeywell Cm 900 User Guide eBook Subscription Services
  - Honeywell Cm 900 User Guide Budget-Friendly Options
- 6. Navigating Honeywell Cm 900 User Guide eBook Formats
  - ePub, PDF, MOBI, and More
  - Honeywell Cm 900 User Guide Compatibility with Devices
  - Honeywell Cm 900 User Guide Enhanced eBook Features
- 7. Enhancing Your Reading Experience
  - Adjustable Fonts and Text Sizes of Honeywell Cm 900 User Guide
  - Highlighting and Note-Taking Honeywell Cm 900 User Guide
  - Interactive Elements Honeywell Cm 900 User Guide
- 8. Staying Engaged with Honeywell Cm 900 User Guide
  - Joining Online Reading Communities
  - Participating in Virtual Book Clubs
  - Following Authors and Publishers Honeywell Cm 900 User Guide
- 9. Balancing eBooks and Physical Books Honeywell Cm 900 User Guide
  - Benefits of a Digital Library
  - Creating a Diverse Reading Collection Honeywell Cm 900 User Guide
- 10. Overcoming Reading Challenges
  - Dealing with Digital Eye Strain
  - Minimizing Distractions
  - Managing Screen Time
- 11. Cultivating a Reading Routine Honeywell Cm 900 User Guide
  - Setting Reading Goals Honeywell Cm 900 User Guide
  - Carving Out Dedicated Reading Time
- 12. Sourcing Reliable Information of Honeywell Cm 900 User Guide

- Fact-Checking eBook Content of Honeywell Cm 900 User Guide
  - Distinguishing Credible Sources
13. Promoting Lifelong Learning
- Utilizing eBooks for Skill Development
  - Exploring Educational eBooks
14. Embracing eBook Trends
- Integration of Multimedia Elements
  - Interactive and Gamified eBooks

### **Honeywell Cm 900 User Guide Introduction**

In this digital age, the convenience of accessing information at our fingertips has become a necessity. Whether its research papers, eBooks, or user manuals, PDF files have become the preferred format for sharing and reading documents. However, the cost associated with purchasing PDF files can sometimes be a barrier for many individuals and organizations. Thankfully, there are numerous websites and platforms that allow users to download free PDF files legally. In this article, we will explore some of the best platforms to download free PDFs. One of the most popular platforms to download free PDF files is Project Gutenberg. This online library offers over 60,000 free eBooks that are in the public domain. From classic literature to historical documents, Project Gutenberg provides a wide range of PDF files that can be downloaded and enjoyed on various devices. The website is user-friendly and allows users to search for specific titles or browse through different categories. Another reliable platform for downloading Honeywell Cm 900 User Guide free PDF files is Open Library. With its vast collection of over 1 million eBooks, Open Library has something for every reader. The website offers a seamless experience by providing options to borrow or download PDF files. Users simply need to create a free account to access this treasure trove of knowledge. Open Library also allows users to contribute by uploading and sharing their own PDF files, making it a collaborative platform for book enthusiasts. For those interested in academic resources, there are websites dedicated to providing free PDFs of research papers and scientific articles. One such website is Academia.edu, which allows researchers and scholars to share their work with a global audience. Users can download PDF files of research papers, theses, and dissertations covering a wide range of subjects. Academia.edu also provides a platform for discussions and networking within the academic community. When it comes to downloading Honeywell Cm 900 User Guide free PDF files of magazines, brochures, and catalogs, Issuu is a popular choice. This digital publishing platform hosts a vast collection of publications from around the world. Users can search for specific titles or explore various categories and genres. Issuu offers a seamless reading experience with its user-friendly interface and allows users to download PDF files for offline reading. Apart from

dedicated platforms, search engines also play a crucial role in finding free PDF files. Google, for instance, has an advanced search feature that allows users to filter results by file type. By specifying the file type as "PDF," users can find websites that offer free PDF downloads on a specific topic. While downloading Honeywell Cm 900 User Guide free PDF files is convenient, its important to note that copyright laws must be respected. Always ensure that the PDF files you download are legally available for free. Many authors and publishers voluntarily provide free PDF versions of their work, but its essential to be cautious and verify the authenticity of the source before downloading Honeywell Cm 900 User Guide. In conclusion, the internet offers numerous platforms and websites that allow users to download free PDF files legally. Whether its classic literature, research papers, or magazines, there is something for everyone. The platforms mentioned in this article, such as Project Gutenberg, Open Library, Academia.edu, and Issuu, provide access to a vast collection of PDF files. However, users should always be cautious and verify the legality of the source before downloading Honeywell Cm 900 User Guide any PDF files. With these platforms, the world of PDF downloads is just a click away.

### **FAQs About Honeywell Cm 900 User Guide Books**

**What is a Honeywell Cm 900 User Guide PDF?** A PDF (Portable Document Format) is a file format developed by Adobe that preserves the layout and formatting of a document, regardless of the software, hardware, or operating system used to view or print it. **How do I create a Honeywell Cm 900 User Guide PDF?** There are several ways to create a PDF: Use software like Adobe Acrobat, Microsoft Word, or Google Docs, which often have built-in PDF creation tools. **Print to PDF:** Many applications and operating systems have a "Print to PDF" option that allows you to save a document as a PDF file instead of printing it on paper. **Online converters:** There are various online tools that can convert different file types to PDF. **How do I edit a Honeywell Cm 900 User Guide PDF?** Editing a PDF can be done with software like Adobe Acrobat, which allows direct editing of text, images, and other elements within the PDF. Some free tools, like PDFescape or Smallpdf, also offer basic editing capabilities. **How do I convert a Honeywell Cm 900 User Guide PDF to another file format?** There are multiple ways to convert a PDF to another format: Use online converters like Smallpdf, Zamzar, or Adobe Acrobats export feature to convert PDFs to formats like Word, Excel, JPEG, etc. Software like Adobe Acrobat, Microsoft Word, or other PDF editors may have options to export or save PDFs in different formats. **How do I password-protect a Honeywell Cm 900 User Guide PDF?** Most PDF editing software allows you to add password protection. In Adobe Acrobat, for instance, you can go to "File" -> "Properties" -> "Security" to set a password to restrict access or editing capabilities. **Are there any free alternatives to Adobe Acrobat for working with PDFs?** Yes, there are many free alternatives for working with PDFs, such as: **LibreOffice:** Offers PDF editing features. **PDFsam:** Allows splitting, merging, and editing PDFs. **Foxit Reader:** Provides basic

PDF viewing and editing capabilities. How do I compress a PDF file? You can use online tools like Smallpdf, ILovePDF, or desktop software like Adobe Acrobat to compress PDF files without significant quality loss. Compression reduces the file size, making it easier to share and download. Can I fill out forms in a PDF file? Yes, most PDF viewers/editors like Adobe Acrobat, Preview (on Mac), or various online tools allow you to fill out forms in PDF files by selecting text fields and entering information. Are there any restrictions when working with PDFs? Some PDFs might have restrictions set by their creator, such as password protection, editing restrictions, or print restrictions. Breaking these restrictions might require specific software or tools, which may or may not be legal depending on the circumstances and local laws.

### **Find Honeywell Cm 900 User Guide :**

**le bacille eacutedition inteacutegrade  
latin or not latin comment dire la messe**

**lds new testament study guide**

*lcr meter circuit diagram*

*latin american breakfast recipe*

*law pre entry 2015-2016*

law engineering environmental services

~~last year question papers life science grade memorandum~~

*larson calculus 8th edition solutions*

**laughter and other gifts of god**

law montana directory guide job

lawn boy 1950 1988 equipment service repair manual

*lazer z parts manual*

**le baiser du guerrier harlequin les historiques**

**laugh in the face of pms diary english edition**

### **Honeywell Cm 900 User Guide :**

jim dunlop principal owner jim dunlop solar - Dec 26 2021

*by james p dunlop photovoltaic systems 3rd edition 9 1 2012* - Apr 10 2023



web photovoltaic systems is a comprehensive guide to the design and installation of residential and commercial pv systems numerous illustrations explain the concepts behind how

**course number title year** - Feb 25 2022

web photovoltaic systems james p dunlop 2012 10 01 photovoltaic systems is a comprehensive guide to the design and installation of several types of residential and

photovoltaic system james dunlop cover and contents page - Aug 02 2022

web studyguide for photovoltaic systems by dunlop james p isbn 9780826913081 by cram101 textbook reviews from flipkart com only genuine products 30 day

photovoltaic systems by james p dunlop goodreads - Jan 07 2023

web photovoltaic systems is a comprehensive guide to the design and installation of several types of residential and commercial pv systems the content covers the principles of

photovoltaic systems by jim dunlop roger marshall - Nov 24 2021

*photovoltaic systems by james p dunlop open library* - Mar 09 2023

web jul 1 2009 photovoltaic systems is a comprehensive guide to the design and installation of several types of residential and commercial pv systems the content covers the

*photovoltaic systems by james dunlop abebooks* - Dec 06 2022

web photovoltaic systems is a comprehensive guide to the design installation and evaluation of residential and commercial photovoltaic pv systems the textbook covers the

photovoltaic systems by jim dunlop new theigc - Jan 27 2022

web photovoltaic systems engineering from green mobile pervasive networking to big data computing understanding photovoltaics designing and installing residential solar

**photovoltaic systems dunlop james p** - May 11 2023

web mar 27 2021 introduction to photovoltaic systems solar radiation site surveys and preplanning system components and configurations cells modules and arrays

**photovoltaic systems with cd 2nd edition textbooks com** - Oct 04 2022

web james p dunlop american technical publishers inc in partnership with njatc orland park illinois 60467 5756 bleed area eliminate if not needed f

**studyguide for photovoltaic systems by dunlop james p isbn** - May 31 2022

web photovoltaic systems is a comprehensive guide to the design and installation of several types of residential and

commercial pv systems the content covers the principles of pv

**photovoltaic systems 2014 3rd edition by jim dunlop and njatc** - Mar 29 2022

web jim dunlop solar photovoltaic systems details photovoltaic systems by jim dunlop free shipping jim dunlop solar store new photovoltaic systems textbook

**photovoltaic systems 3rd edition pdf document** - Sep 03 2022

web buy a cheap copy of photovoltaic systems book by james p dunlop photovoltaic systems is a comprehensive guide to the design and installation of several types of

photovoltaic systems by glen paul issuu - Apr 29 2022

web photovoltaic systems 2 nd edition by james p dunlop isbn 978 0 8269 1287 9 july 2009 national joint study guide for photovoltaic system installers north american

photovoltaic systems by jim dunlop 2022 db mwpai - Oct 24 2021

**photovoltaic systems james p dunlop in partnership** - Jul 13 2023

web hardcover 502 pages isbn 10 1935941054 isbn 13 978 1935941057 item weight 3 55 pounds dimensions 8 75 x 1 25 x 11 25 inches best sellers rank 159 547 in

*photovoltaic systems atp learning* - Feb 08 2023

web photovoltaic systems dunlop james p and in partnership with njatc published by amer technical pub 2009 isbn 10 0826913083 isbn 13 9780826913081

photovoltaic systems dunlop james p free - Aug 14 2023

web james p dunlop american technical publishers incorporated 2012 industries 502 pages photovoltaic systems is a comprehensive guide to the design and installation of

**photovoltaic systems james p dunlop in partnership with** - Nov 05 2022

web mar 22 2016 photovoltaic systems third edition is a comprehensive guide to the design installation and evaluation of residential and commercial photovoltaic pv

*photovoltaic systems book by james p dunlop thriftbooks* - Jul 01 2022

web jul 10 2012 photovoltaic systems 2007 by jim dunlop isbn 978 0 8269 1287 9 national joint apprenticeship and training committee and american technical

**photovoltaic systems james p dunlop google books** - Jun 12 2023

web sep 1 2012 by james p dunlop photovoltaic systems 3rd edition 9 1 2012 amazon com books buy used 436 49

**choque de titanes la victoria del ejército rojo sobre hitler** - Apr 30 2022

web buy choque de titanes la victoria del ejército rojo sobre hitler by glantz david m house jonathan m cañete carrasco hugo a online on amazon ae at best prices fast and free shipping free returns cash on delivery available on eligible purchase

**choque de titanes la victoria del ejército rojo sobre hitler** - Apr 11 2023

web choque de titanes la victoria del ejército rojo sobre hitler authors david m glantz author jonathan m house author print book spanish 2017 edition 1ª ed view all formats and editions publisher desperta ferro madrid 2017 show more information

**choque de titanes la victoria del ejército rojo sobre hitler** - Oct 05 2022

web chapter 1 cubierta chapter 2 título chapter 3 créditos chapter 4 Índice chapter 5 nota a esta edición chapter 6 agradecimientos chapter 7 prefacio a esta edición revisada y ampliada chapter 8 prelude 1918 1941 chapter 9 1 el ejército rojo 1918 1939 chapter 10 2 tregua armada 1939 1941 chapter 11 3 ejércitos enfrentados

**choque de titanes la victoria del ejército rojo sobre** - Feb 26 2022

web mar 4 2018 choque de titanes la victoria del ejército rojo sobre hitler libro marzo 04 2018 la segunda guerra mundial derramó un reguero de sangre que cubrió casi todos los continentes y océanos pero hubo un lugar del mundo donde la sangre cubrió toda la hierba europa oriental

*choque de titanes la victoria del ejercito rojo s pdf* - Dec 27 2021

web choque de titanes la victoria del ejercito rojo s 3 3 dirigieron las contraofensiva s que cambiaron las tornas del conflicto por este libro desfilan nombres como rommel patton guderian montgomery o zhukov personajes que cambiaron la manera de combatir ellos son los protagonistas de las batallas que marcaron la segunda guerra

**choque de titanes la victoria del ejército rojo sobre hitler** - Jun 01 2022

web apr 1 2017 comprar el libro choque de titanes la victoria del ejército rojo sobre hitler de david m glantz desperta ferro ediciones 9788494518782 con envío gratis desde 18 en nuestra librería online agapea com ver opiniones resumen sinopsis del

choque de titanes la victoria del ejército rojo sobre hitler - Aug 03 2022

web choque de titanes la victoria del ejército rojo sobre hitler pasta blanda 1 abril 2017 por david m house jonathan m glantz autor 55 calificaciones ver todos los formatos y ediciones

*choque de titanes la victoria del ejército rojo sobre hitler* - Jan 28 2022

web reseña del libro choque de titanes la victoria del ejército rojo sobre hitler noviembre de 1941 la blitzkrieg de la wehrmacht había empujado al ejército rojo a las puertas de moscú sin embargo menos de cuatro años después la haz y el martillo ondeaba sobre las ruinas de reichstag

**choque de titanes la victoria del ejército rojo sobre hitler** - Jul 02 2022

web noviembre de 1941 la blitzkrieg de la wehrmacht había empujado al ejército rojo a las puertas de moscú sin embargo

menos de cuatro años después la hoz y el martillo ondeaba sobre las ruinas del reichstag ebook con kobo by fnac miles de libros en cualquier parte gracias al libro electrónico de kobo by fnac

[choque de titanes la victoria del ejército rojo sobre hitler](#) - Mar 10 2023

web noviembre de 1941 la blitzkrieg de la wehrmacht había empujado al ejército rojo a las puertas de moscú sin embargo menos de cuatro años después la hoz y el martillo

**choque de titanes la victoria del ejército rojo sobre hitler** - Aug 15 2023

web la obra de los militares estadounidenses david m glantz y jonathan m house choque de titanes la victoria del ejército rojo sobre hitler reeditada tras su aparición en 1995 contiene uno de los mejores análisis que se han hecho sobre el frente oriental pocas obras son tan exhaustivas y completas como esta

**choque de titanes la victoria del ejército rojo sobre hitler** - Mar 30 2022

web la victoria del ejército rojo sobre hitler choque de titanes david m glantz jonathan m house hugo a cañete carrasco despierta ferro ediciones des milliers de livres avec la livraison chez vous en 1 jour ou en magasin avec 5 de réduction

**choque de titanes la victoria del ejército rojo sobre hitler** - Jun 13 2023

web jun 18 2020 choque de titanes la victoria del ejército rojo sobre hitler segunda guerra mundial nº 1 spanish edition kindle edition by glantz david m house jonathan m cañete carrasco hugo a download it once and read it on your kindle device pc phones or tablets

*choque de titanes la victoria del ejército rojo sobre hitler* - Dec 07 2022

web la obra de los militares estadounidenses david m glantz y jonathan m house choque de titanes la victoria del ejército rojo sobre hitler reeditada tras su aparición en 1995 contiene uno de los mejores análisis que se han hecho sobre el frente oriental pocas obras son tan exhaustivas y completas como esta

*choque de titanes la victoria del ejército rojo sobre hitler* - Feb 09 2023

web choque de titanes la victoria del ejército rojo sobre hitler glantz david m house jonathan m amazon com tr kitap

**choque de titanes la victoria del ejército rojo sobre hitler** - Jul 14 2023

web apr 1 2017 choque de titanes ofrece recientes revelaciones sobre la estrategia y las tácticas del ejército rojo y el papel de stalin como su comandante supremo nos acerca al surgimiento de innovadores comandantes fogueados en el fragor del combate desvela numerosas operaciones militares que hasta el momento se habían pasado por alto o

**choque de titanes la victoria del ejército rojo sobre hitler** - Sep 04 2022

web breve historia de los grandes generales de la segunda guerra mundial the face of battle leningrad 1941 44 stalin s folly stalingrad where the iron crosses grow choque de titanes la victoria del ejército rojo sobre hitler panzer operations combined arms warfare in the twentieth century the hope of the universe

**choque de titanes desperta ferro ediciones** - Nov 06 2022

web choque de titanes desperta ferro ediciones

**david m glantz jonathan m house choque desperta ferro** - Jan 08 2023

web choque de titanes choque de titanes la victoria del ejército rojo sobre hitler noviembre de 1941 la blitzkrieg de la wehrmacht había empujado al ejército rojo a las puertas de moscú sin embargo menos de cuatro años después la hoz y el martillo ondeaba sobre las ruinas del reichstag un símbolo elocuente

choque de titanes la victoria del ejército rojo sobre hitler scribd - May 12 2023

web noviembre de 1941 la blitzkrieg de la wehrmacht había empujado al ejército rojo a las puertas de moscú sin embargo menos de cuatro años después la hoz y el martillo ondeaba sobre las ruinas del reichstag un símbolo elocuente del final de una pugna a vida o muerte que supuso el triunfo de la unión soviética sobre la alemania

**ap european history crash course for the new 2020 exam** - Apr 29 2023

web mar 3 2020 ap european history crash course a higher score in less time at rea we invented the quick review study guide for ap exams a decade later rea s

**ap european history crash course tamaqua area school district** - Nov 12 2021

*crash course ap literature free download pdf issuhub* - Dec 14 2021

web rea the test prep ap teachers recommend european crash course history lorry kriegler get a higher score in time a complete ap european

ap european history crash course rea advanced placement - Aug 22 2022

web apr 25 2012 ap european history crash course gives you targeted focused review study only what you need to know crash course is based on an in depth analysis

ap european history crash course book online ebook - Mar 29 2023

web rea s crash course for ap european history is just what you need our crash course gives you targeted focused review study only what you need to know the crash

european history crash course - Jun 19 2022

web mar 22 2016 rea s all new ap european history crash course is perfect for the time crunched student the last minute studier or anyone who wants a refresher on the

ap european history crash course book online get a - Jan 27 2023

web mar 3 2020 ap european history crash course updated for today s exam a higher score in less time at rea we invented the quick review study guide for ap exams

*ap european history crash course for the new 2020 exam* - Nov 24 2022

web 1 online resource reas crash course for the ap european history exam gets you a higher advanced placement score in less time about this new exam and test prep

**ap european history crash course book online get a** - Sep 03 2023

web isbn 978 0 7386 1270 6 ap european history crash course updated for today s exam a higher score in less time at reawe invented the quick review study guide

**ap european history crash course book goodreads** - Feb 25 2023

web 16 ratings3 reviews reas crash course for the ap european history exam gets you a higher advanced placement score in less time about this new exam and test the

**ap european history crash course larry krieger google books** - Jul 21 2022

web in 50 episodes john green will teach you about european history to give you an overview of europe s history and connection with the world from 1450 to the present this course

*ap european history reas ap test prep* - Oct 04 2023

web ap european history practice exam 1 section 1 time 55 minutes 80 questions 1 renaissance humanism was a threat to the church because it espoused atheism b

*ap european history crash course larry krieger google books* - Sep 22 2022

web jan 1 2009 ap european history crash course reas advanced placement ap crash course krieger larry on amazon com free shipping on qualifying offers

**ap european history crash course 2nd ed book online** - Aug 02 2023

web feb 10 2016 reas crash course for the ap european history exam gets you a higher advanced placement score in less time about this new exam and test prep

**ap european history crash course pdf 5njuec00tdg0 e** - Mar 17 2022

web mar 27 2023 here s why more ap teachers and students turn to reas ap european history crash course targeted review study only what you need to know

**ap european history crash course book online overdrive** - May 19 2022

web if this sounds like you don t panic reas ap european history crash course is just what you need our crash course gives you targeted focused review study only

**ap european history crash course krieger larry author free** - Oct 24 2022

web reas crash course for ap european history is just what you need our crash course gives you targeted focused review study only what you need to know the crash

*ap european history crash course online practice exam* - May 31 2023

web our ap european history online practice exam includes every topic and type of question you can expect to see on the exam it features timed testing conditions automatic

download book ap european history crash course for the - Feb 13 2022

web rea crash course ap european history downloaded from 2013 thecontemporaryaustin org by guest jada kimberly ap u s history research

*ap european history crash course book barnes noble* - Dec 26 2022

web mar 3 2020 for the new 2020 exam ap european history crash course a higher score in less time at rea we invented the quick review study guide for ap exams

ap european history crash course book amazon com - Jul 01 2023

web sep 23 2009 rea s crash course for the ap european history exam gets you a higher advanced placement score in less time crash course is perfect for the time

rea crash course ap european history - Jan 15 2022

web crash course ap literature at rea we re committed to producing books in an earth friendly manner and to helping our customers make greener choices manufac

**ap european history crash course worldcat org** - Apr 17 2022

web rea s crash course for ap european history is just what you need our crash course gives you targeted focused review study only what you need to know the crash