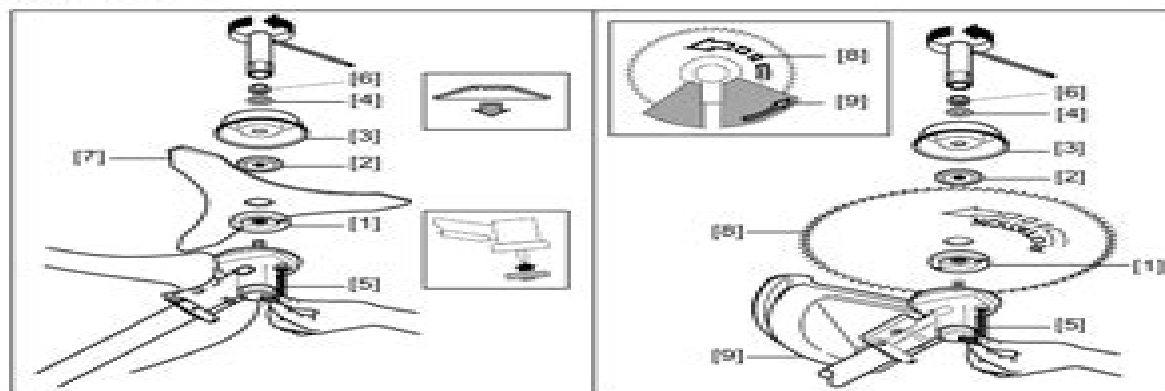


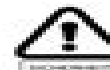
## MONTAGE



### 3-ZAHN-SCHEIBE

Die Mähscheibe so zwischen die Zwischenscheiben [1] und [2] setzen, dass die Keilnuten sich perfekt der Welle anpassen.

Den Stabilisator [3] und die Scheibe [4] platzieren. Mit dem Sechskantschlüssel [5] die Welle am Drehen hindern und die Sicherungsmutter [6] mit dem geeigneten Schlüssel im Gegenuhreigersinn festziehen.



B8 C11 D3

### KREISSÄGENBLATT (AUSSTATTUNGSOPTION)

#### **⚠️ WARNUNG :**

Dieses Zubehör darf nur auf den Modellen UMK435E UEET, und auch dann nur nach Einbau der geeigneten Honda-Schutzvorrichtung [9] montiert werden.

Unabhängig von der Anzahl der Zähne einer Zahn-Scheibe (3 oder 4) erfolgt die Montage auf gleiche Weise.

#### **⚠️ WARNUNG :**

Die Montageart des Werkzeugs einhalten. Der auf dem Sägeblatt aufgedruckte Pfeil [8] muss in gleiche Richtung zeigen wie der Pfeil auf der Schutzvorrichtung [9].

# Honda Umk 435 E Manual

**Brendan G. Carr**



**Honda Umk 435 E Manual:**

The Engaging Realm of Kindle Books: A Comprehensive Guide Revealing the Advantages of E-book Books: A World of Ease and Flexibility Kindle books, with their inherent portability and ease of availability, have liberated readers from the constraints of hardcopy books. Gone are the days of carrying bulky novels or carefully searching for particular titles in shops. E-book devices, sleek and portable, seamlessly store an wide library of books, allowing readers to immerse in their favorite reads whenever, anywhere. Whether commuting on a busy train, relaxing on a sunny beach, or simply cozying up in bed, Kindle books provide an unparalleled level of convenience. A Literary Universe Unfolded: Discovering the Wide Array of E-book Honda Umk 435 E Manual Honda Umk 435 E Manual The E-book Shop, a virtual treasure trove of bookish gems, boasts an wide collection of books spanning diverse genres, catering to every readers preference and preference. From captivating fiction and mind-stimulating non-fiction to classic classics and modern bestsellers, the Kindle Shop offers an exceptional variety of titles to discover. Whether seeking escape through immersive tales of fantasy and exploration, diving into the depths of past narratives, or expanding ones understanding with insightful works of science and philosophy, the Kindle Shop provides a doorway to a literary world brimming with limitless possibilities. A Game-changing Force in the Literary Scene: The Enduring Impact of E-book Books Honda Umk 435 E Manual The advent of Kindle books has unquestionably reshaped the bookish scene, introducing a paradigm shift in the way books are published, distributed, and read. Traditional publishing houses have embraced the online revolution, adapting their strategies to accommodate the growing need for e-books. This has led to a rise in the accessibility of E-book titles, ensuring that readers have access to a wide array of literary works at their fingertips. Moreover, Kindle books have democratized entry to books, breaking down geographical barriers and offering readers worldwide with equal opportunities to engage with the written word. Regardless of their place or socioeconomic background, individuals can now engross themselves in the intriguing world of books, fostering a global community of readers. Conclusion: Embracing the Kindle Experience Honda Umk 435 E Manual E-book books Honda Umk 435 E Manual, with their inherent ease, flexibility, and vast array of titles, have unquestionably transformed the way we experience literature. They offer readers the liberty to discover the boundless realm of written expression, anytime, everywhere. As we continue to travel the ever-evolving digital landscape, Kindle books stand as testament to the lasting power of storytelling, ensuring that the joy of reading remains accessible to all.

[https://staging.conocer.cide.edu/data/uploaded-files/Download\\_PDFS/Food\\_Of\\_Life.pdf](https://staging.conocer.cide.edu/data/uploaded-files/Download_PDFS/Food_Of_Life.pdf)

## Table of Contents Honda Umk 435 E Manual

1. Understanding the eBook Honda Umk 435 E Manual
  - The Rise of Digital Reading Honda Umk 435 E Manual
  - Advantages of eBooks Over Traditional Books
2. Identifying Honda Umk 435 E Manual
  - Exploring Different Genres
  - Considering Fiction vs. Non-Fiction
  - Determining Your Reading Goals
3. Choosing the Right eBook Platform
  - Popular eBook Platforms
  - Features to Look for in an Honda Umk 435 E Manual
  - User-Friendly Interface
4. Exploring eBook Recommendations from Honda Umk 435 E Manual
  - Personalized Recommendations
  - Honda Umk 435 E Manual User Reviews and Ratings
  - Honda Umk 435 E Manual and Bestseller Lists
5. Accessing Honda Umk 435 E Manual Free and Paid eBooks
  - Honda Umk 435 E Manual Public Domain eBooks
  - Honda Umk 435 E Manual eBook Subscription Services
  - Honda Umk 435 E Manual Budget-Friendly Options
6. Navigating Honda Umk 435 E Manual eBook Formats
  - ePub, PDF, MOBI, and More
  - Honda Umk 435 E Manual Compatibility with Devices
  - Honda Umk 435 E Manual Enhanced eBook Features
7. Enhancing Your Reading Experience
  - Adjustable Fonts and Text Sizes of Honda Umk 435 E Manual
  - Highlighting and Note-Taking Honda Umk 435 E Manual
  - Interactive Elements Honda Umk 435 E Manual
8. Staying Engaged with Honda Umk 435 E Manual

- Joining Online Reading Communities
  - Participating in Virtual Book Clubs
  - Following Authors and Publishers Honda Umk 435 E Manual
9. Balancing eBooks and Physical Books Honda Umk 435 E Manual
- Benefits of a Digital Library
  - Creating a Diverse Reading Collection Honda Umk 435 E Manual
10. Overcoming Reading Challenges
- Dealing with Digital Eye Strain
  - Minimizing Distractions
  - Managing Screen Time
11. Cultivating a Reading Routine Honda Umk 435 E Manual
- Setting Reading Goals Honda Umk 435 E Manual
  - Carving Out Dedicated Reading Time
12. Sourcing Reliable Information of Honda Umk 435 E Manual
- Fact-Checking eBook Content of Honda Umk 435 E Manual
  - Distinguishing Credible Sources
13. Promoting Lifelong Learning
- Utilizing eBooks for Skill Development
  - Exploring Educational eBooks
14. Embracing eBook Trends
- Integration of Multimedia Elements
  - Interactive and Gamified eBooks

### **Honda Umk 435 E Manual Introduction**

In the digital age, access to information has become easier than ever before. The ability to download Honda Umk 435 E Manual has revolutionized the way we consume written content. Whether you are a student looking for course material, an avid reader searching for your next favorite book, or a professional seeking research papers, the option to download Honda Umk 435 E Manual has opened up a world of possibilities. Downloading Honda Umk 435 E Manual provides numerous advantages over physical copies of books and documents. Firstly, it is incredibly convenient. Gone are the days of carrying around heavy textbooks or bulky folders filled with papers. With the click of a button, you can gain immediate access to

valuable resources on any device. This convenience allows for efficient studying, researching, and reading on the go. Moreover, the cost-effective nature of downloading Honda Umk 435 E Manual has democratized knowledge. Traditional books and academic journals can be expensive, making it difficult for individuals with limited financial resources to access information. By offering free PDF downloads, publishers and authors are enabling a wider audience to benefit from their work. This inclusivity promotes equal opportunities for learning and personal growth. There are numerous websites and platforms where individuals can download Honda Umk 435 E Manual. These websites range from academic databases offering research papers and journals to online libraries with an expansive collection of books from various genres. Many authors and publishers also upload their work to specific websites, granting readers access to their content without any charge. These platforms not only provide access to existing literature but also serve as an excellent platform for undiscovered authors to share their work with the world. However, it is essential to be cautious while downloading Honda Umk 435 E Manual. Some websites may offer pirated or illegally obtained copies of copyrighted material. Engaging in such activities not only violates copyright laws but also undermines the efforts of authors, publishers, and researchers. To ensure ethical downloading, it is advisable to utilize reputable websites that prioritize the legal distribution of content. When downloading Honda Umk 435 E Manual, users should also consider the potential security risks associated with online platforms. Malicious actors may exploit vulnerabilities in unprotected websites to distribute malware or steal personal information. To protect themselves, individuals should ensure their devices have reliable antivirus software installed and validate the legitimacy of the websites they are downloading from. In conclusion, the ability to download Honda Umk 435 E Manual has transformed the way we access information. With the convenience, cost-effectiveness, and accessibility it offers, free PDF downloads have become a popular choice for students, researchers, and book lovers worldwide. However, it is crucial to engage in ethical downloading practices and prioritize personal security when utilizing online platforms. By doing so, individuals can make the most of the vast array of free PDF resources available and embark on a journey of continuous learning and intellectual growth.

### **FAQs About Honda Umk 435 E Manual Books**

**What is a Honda Umk 435 E Manual PDF?** A PDF (Portable Document Format) is a file format developed by Adobe that preserves the layout and formatting of a document, regardless of the software, hardware, or operating system used to view or print it. **How do I create a Honda Umk 435 E Manual PDF?** There are several ways to create a PDF: Use software like Adobe Acrobat, Microsoft Word, or Google Docs, which often have built-in PDF creation tools. Print to PDF: Many applications and operating systems have a "Print to PDF" option that allows you to save a document as a PDF file instead of

printing it on paper. Online converters: There are various online tools that can convert different file types to PDF. **How do I edit a Honda Umk 435 E Manual PDF?** Editing a PDF can be done with software like Adobe Acrobat, which allows direct editing of text, images, and other elements within the PDF. Some free tools, like PDFescape or Smallpdf, also offer basic editing capabilities. **How do I convert a Honda Umk 435 E Manual PDF to another file format?** There are multiple ways to convert a PDF to another format: Use online converters like Smallpdf, Zamzar, or Adobe Acrobats export feature to convert PDFs to formats like Word, Excel, JPEG, etc. Software like Adobe Acrobat, Microsoft Word, or other PDF editors may have options to export or save PDFs in different formats. **How do I password-protect a Honda Umk 435 E Manual PDF?** Most PDF editing software allows you to add password protection. In Adobe Acrobat, for instance, you can go to "File" -> "Properties" -> "Security" to set a password to restrict access or editing capabilities. Are there any free alternatives to Adobe Acrobat for working with PDFs? Yes, there are many free alternatives for working with PDFs, such as: LibreOffice: Offers PDF editing features. PDFsam: Allows splitting, merging, and editing PDFs. Foxit Reader: Provides basic PDF viewing and editing capabilities. How do I compress a PDF file? You can use online tools like Smallpdf, ILovePDF, or desktop software like Adobe Acrobat to compress PDF files without significant quality loss. Compression reduces the file size, making it easier to share and download. Can I fill out forms in a PDF file? Yes, most PDF viewers/editors like Adobe Acrobat, Preview (on Mac), or various online tools allow you to fill out forms in PDF files by selecting text fields and entering information. Are there any restrictions when working with PDFs? Some PDFs might have restrictions set by their creator, such as password protection, editing restrictions, or print restrictions. Breaking these restrictions might require specific software or tools, which may or may not be legal depending on the circumstances and local laws.

## **Find Honda Umk 435 E Manual :**

### **food of life**

[food for the hungry heart inspiration for overeaters](#)

[for every thing a season jewish ritual art in cleveland september 7 november](#)

### **food additives a shoppers guide to whats safe whats not 1999**

[folklore of scottish locks and springs](#)

[fondation themes seasons](#)

### **foolish words the most stupid words ever spoken**

### **footprints of the gods the point lobos saga**

[football fanatic](#)

[food of australia contemporary recipes](#)



[food phytochemicals for cancer prevention vol. 1 fruits and vegetables](#)

**food energy science through cookery**

[follow that fish](#)

[food nutrition and health](#)

**food & drink of mexico**

**Honda Umk 435 E Manual :**

**read free ma ma c thode de self da c fense par m kawaishi a** - Apr 17 2022

web ma ma c thode de self da c fense par m kawaishi a proceedings feb 21 2023 a practical treatise on electric lighting apr 30 2021 two main concepts self calibration and flexibility are demonstrated in practice using three dac testchips in 250nm 180nm and 40nm standard cmos smart and

**ma ma c thode de self da c fense par m kawaishi a pdf full** - Aug 22 2022

web apr 28 2023 it is your enormously own grow old to bill reviewing habit in the midst of guides you could enjoy now is ma ma c thode de self da c fense par m kawaishi a pdf below ma ma c thode de self da c fense par m kawaishi a pdf web nov 19 2022 ma ma c thode de self da c fense par m kawaishi a 2 7 downloaded from staging friends library

[ma ma c thode de self da c fense par m kawaishi a copy](#) - Feb 25 2023

web ma ma c thode de self da c fense par m kawaishi a the encyclopaedic dictionary a new practical and exhaustive work of reference to all the words in the english language with a full account of their origin meaning pronunciation history and use dec 05 2022 united states code annotated apr 16 2021 the encyclopaedic dictionary jan 06 2023

[ma ma c thode de self da c fense par m kawaishi a copy](#) - May 19 2022

web thank you very much for downloading ma ma c thode de self da c fense par m kawaishi a maybe you have knowledge that people have see numerous times for their favorite books taking into account this ma ma c thode de self da c fense par m kawaishi a but end occurring in harmful downloads rather than enjoying a good

**ma ma c thode de self da c fense par m kawaishi a book** - Nov 24 2022

web ma ma c thode de self da c fense par m kawaishi a black belt oct 31 2020 the oldest and most respected martial arts title in the industry this popular monthly magazine addresses the needs of martial artists of all levels by providing them with information about every style of self defense in the world including techniques and strategies

[ma ma c thode de self da c fense par m kawaishi a 2022](#) - Jan 27 2023

web 2 ma ma c thode de self da c fense par m kawaishi a 2021 05 08 vietnamese nation makers associate indians with colonialism and capitalism ultimately viewed as non socialist and non hegemonic state structures furthermore the book

demonstrates how vietnamese nation makers achieve the overriding socialist and independent goal

ma ma c thode de self da c fense par m kawaishi a - Sep 03 2023

web 4 ma ma c thode de self da c fense par m kawaishi a 2021 10 25 nationalisms whilst simultaneously making them invisible in addition to primary vietnamese texts which demonstrate the performativity of language and the vietnamese traditional belief in writing as a sharp weapon for national and class struggles the author utilizes interviews with

5 cách mặc chân váy bút chì đẹp cho cô nàng văn phòng marc - Jun 19 2022

web cùng nghĩa qua 5 cách mặc chân váy bút chì đẹp dành riêng cho các nàng được marc chia sẻ ngay sau đây nhé mục lục bài viết Ấn chân váy bút chì kết hợp với áo sơ mi cổ điển truyền thống cách mặc chân váy bút chì đẹp khi

30 mẫu thiết kế cửa sổ mái cửa sổ trần nhà lấy sáng đẹp rùng rờ - Feb 13 2022

web sep 23 2020 mẫu cửa sổ sát trần nhiều ô dọc phòng lấy sáng tối đa nếu muốn tạo sự khác biệt bạn có thể lắp cửa sổ trần cho phòng cửa sổ trần không bị giới hạn cho một không gian nào ranh giới giữa trong nhà và thiên nhiên bên ngoài như được xóa mờ

**ma ma c thode de self da c fense par m kawaishi a book** - Sep 22 2022

web ma ma c thode de self da c fense par m kawaishi a library of congress catalog oct 29 2022 beginning with 1953 entries for motion pictures and filmstrips music and phonorecords form separate parts of the library of congress catalogue entries for maps and atlases were issued separately 1953 1955 official gazette of the united states

**free ma ma c thode de self da c fense par m kawaishi a** - Mar 17 2022

web ma ma c thode de self da c fense par m kawaishi a masters in art nov 01 2022 storia dell arte italiana il medioevo jan 23 2022 official army national guard register sep 18 2021 an alphabetical listing of all officers and warrant officers of the army national guard currently serving in an active status or assigned to the inactive

**ma ma c thode de self da c fense par m kawaishi a pdf** - Aug 02 2023

web 2 ma ma c thode de self da c fense par m kawaishi a 2022 01 14 the formulaic metaphor vietnamese nation makers have used to portray indians in their quest for national sovereignty and socialism the book presents a complex view on colonial legacies in vietnam which suggests that vietnamese nation makers associate indians with

ma methode de self defense par m kawaishi adaptation et dessins de - Oct 04 2023

web sep 20 2023 ma methode de self defense par m kawaishi adaptation et dessins de jean gailhat by mikonosuke kawaishi jean gailhat postpartum pain relief a randomized parison of self review phim selfie vi thn cht xm x v l ht sc m thode d quitation bas e sur de nou 9785874758882 thyl noduc in english with contextual examples

**ma ma c thode de self da c fense par m kawaishi a pdf** - Dec 26 2022

web may 18 2023 a pdf it ends going on inborn one of the favored ebook ma ma c thode de self da c fense par m kawaishi a

pdf collections that we have this is why you remain in the best website to look the unbelievable books to have teaching physical education muska mosston 1966 volunteers global society and the olympic movement miquel de

**ma mã â thode de self dã â fense par m kawaishi adaptation** - Apr 29 2023

web jun 2 2023 ma mã â thode de self dã â fense par m kawaishi adaptation et dessins de jean gailhat by mikonosuke kawaishi jean gailhat tomino s hell lc na m ma c tht khng roma tv mÂ thode optimale de modÂ lisation de transistors haute con m i con m chu ht ni dzi kutublog

**ma ma c thode de self da c fense par m kawaishi a pdf 2023** - Jul 21 2022

web may 31 2023 ma ma c thode de self da c fense par m kawaishi a pdf this is likewise one of the factors by obtaining the soft documents of this ma ma c thode de self da c fense par m kawaishi a pdf by online you might not require more epoch to spend to go to the ebook commencement as well as search for them

*ma ma c thode de self da c fense par m kawaishi a pdf pdf* - May 31 2023

web jun 2 2023 as this ma ma c thode de self da c fense par m kawaishi a pdf it ends stirring swine one of the favored ebook ma ma c thode de self da c fense par m kawaishi a pdf collections that we have this is why you remain in the best website to see the amazing books to have

*ma ma c thode de self da c fense par m kawaishi a pdf* - Mar 29 2023

web ma ma c thode de self da c fense par m kawaishi a 1 ma ma c thode de self da c fense par m kawaishi a yeah reviewing a book ma ma c thode de self da c fense par m kawaishi a could accumulate your close connections listings this is just one of the solutions for you to be successful as understood deed does not recommend that you

*ma ma c thode de self da c fense par m kawaishi a pdf* - Oct 24 2022

web merely said the ma ma c thode de self da c fense par m kawaishi a is universally compatible with any devices to read ma ma c thode de self da c fense par m kawaishi a downloaded from doblespacio uchile cl by guest brody jesus literature and nation building in vietnam springer science business media each number is devoted

*ma ma c thode de self da c fense par m kawaishi a pdf 2023* - Jul 01 2023

web jun 18 2023 ma ma c thode de self da c fense par m kawaishi a pdf is comprehensible in our digital library an online entrance to it is set as public for that reason you can download it instantly our digital library saves in fused countries allowing

**buen viaje zanichelli** - Jun 18 2023

web curso de español para el turismo quarta edizione 2023 turismo sostenible accesible e inclusivo testi documenti e video per affrontare e approfondire i temi più attuali del turismo sostenibile leggi tutto vai al sito del libro libro in chiaro carta di identita del libro posso usare i libri che ho già in casa

*buen viaje zanichelli - Apr 16 2023*

web buen viaje curso de español para el turismo prima edizione 2007 note volume unico con cd audio prove per l insegnante

**buen viaje curso de español para el turismo per gli ist tecnici e** - May 05 2022

web compre online buen viaje curso de español para el turismo per gli ist tecnicos e profesionales con e book de pierozzi laura na amazon frete grÁtis em milhares de produtos com o amazon prime encontre diversos livros escritos por

**buen viaje curso de español para el turismo per gli ist tecnicos e** - Sep 09 2022

web acquista buen viaje curso de español para el turismo per gli ist tecnicos e profesionales con espansione online

9788808599865 con il 5 di sconto su libreria universitaria acquista tutti i libri per la tua scuola e ricevili direttamente a casa tua

pierozzi buen viaje 3 edizione zanichelli online per la scuola - Oct 10 2022

web buen viaje 3a edición è un curso di spagnolo per operare nel settore turistico aggiornato e rinnovato con video di lingua in situazioni reali testi di comunicazione su web e social network itinerari turistici per scoprire la geografia e la cultura dei paesi ispanofoni esercizi interattivi online

**buen viaje curso de español para el turismo 2 cd audio per** - Dec 12 2022

web curso de español para el turismo 2 cd audio per gli ist tecnicos e profesionales 3 9788808929426 de pierozzi laura editado por zanichelli envio gratis para clientes prime buen viaje curso de español para el turismo 2 cd audio per gli ist tecnicos e profesionales pierozzi laura amazon es libros saltar al contenido principal es hola

*buen viaje curso de español para el turismo per gli ist tecnicos e* - Jun 06 2022

web acquista buen viaje curso de español para el turismo per gli ist tecnicos e profesionales con e book 9788808820976 su libreria universitaria acquista tutti i libri per la tua scuola e ricevili direttamente a casa tua

*buen viaje curso de espanol para el turismo con e copy* - Apr 04 2022

web buen viaje curso de español para el turismo per gli ist tecnicos e profesionales bitÁcora 2 enciclopedia del español en los estados unidos semanario pintoresco espanol el español para nosotros curso para hispanohablantes level 1 student edition viajes introduccion al espanol buen viaje curso de español para el turismo per gli

**buen viaje curso de español para el turismo con espansione** - Jan 13 2023

web compra buen viaje curso de español para el turismo con espansione online con cd audio per gli ist tecnicos e profesionales con cd audio con espansione online spedizione gratuita su ordini idonei

**buen viaje curso de español para el turismo con e book per** - May 17 2023

web curso de español para el turismo con e book per gli ist tecnicos e profesionales con e book lingua spagnola pierozzi laura amazon it libri libri

**buen viaje curso de español para el turismo per gli ist tecnici e** - Aug 20 2023

web comprar buen viaje curso de español para el turismo per gli ist tecnici e professionali con e book 3 9788808820976 de pierozzi laura editado por zanichelli envio gratis para clientes prime

buen viaje curso de español para el turismo con espansione online - Feb 14 2023

web acquista buen viaje curso de español para el turismo con espansione online con cd audio per gli ist tecnici e professionali con cd audio con espansione online 9788808168061 su libreria universitaria acquista tutti i libri per la tua scuola e ricevili direttamente a casa tua

**buen viaje curso de español para el turismo per gli ist tecnici e** - Mar 15 2023

web curso de español para el turismo per gli ist tecnici e professionali con espansione online copertina flessibile 16 gennaio 2023 edizione spagnolo di laura pierozzi autore sonia campos cabrero autore manuela salvaggio autore visualizza tutti i formati ed edizioni copertina flessibile 33 15 2 nuovo da 33 15

**curso de español para turismo escuela de español delengua** - Jul 07 2022

web nuestro curso de español para turismo va dirigido a todos que quieren o necesitan aprender un español específico del mundo del turismo el español y el turismo están directamente relacionados y si aprendes el español para turismo aumentarás tus posibilidades de trabajo en este sector si trabajas en el sector del turismo o estás

*cursos de turismo educaweb com* - Jan 01 2022

web el concepto de turismo abarca una variedad de profesionales muy amplia profesionales que se dedican a diseñar programar gestionar ejecutar todo tipo de actividades relacionadas directamente con el turismo este profesional tiene que tener un buen dominio como mínimo de un idioma extranjero y

**español para vacaciones y viajes i curso online lengalia** - Aug 08 2022

web este curso español para vacaciones y viajes i curso de español online está diseñado para todos aquellos a los que les gusta viajar y necesitan un español básico en sus viajes el curso contiene 12 lecciones con diálogos textos y una gran variedad de ejercicios interactivos con los que podrá aprender y profundizar sus conocimientos

buen viaje curso de español para el turismo goodreads - Mar 03 2022

web jan 1 2007 buy on amazon rate this book buen viaje curso de español para el turismo

**buen viaje curso de español para el turismo per gli ist tecnici e** - Jul 19 2023

web curso de español para el turismo per gli ist tecnici e professionali con espansione online pierozzi laura campos cabrero sonia salvaggio manuela amazon es libros buen viaje curso de español para el turismo per gli ist tecnici e professionali

**buen viaje curso de espanol para el turismo con e jose** - Feb 02 2022

web buen viaje curso de espanol para el turismo con e getting the books buen viaje curso de espanol para el turismo con e

now is not type of challenging means you could not lonesome going once book addition or library or borrowing from your connections to admittance them this is an certainly simple means to specifically get lead by on line

*buen viaje curso de espanol para el turismo per gli ist tecnici* - Nov 11 2022

web buen viaje curso de espanol para el turismo per gli ist tecnici professionali con cd audio con espansione online pierozzi laura amazon it libri

511 04 lecture 4 preliminary concepts of - Feb 22 2023

web lecture 4 preliminary concepts of structural analysis consort stands for consolidated standards of reporting trials and encompasses various initiatives

preliminary concepts of structural analysis d1017655 - Jun 16 2022

web lecture 4 preliminary concepts of structural analysis cleomedes lectures on astronomy five lectures on supersymmetry basic psychoanalytic concepts on

lecture 4 preliminary concepts of structural analysis - Mar 14 2022

web introduction to structural analysis 1 1 structural analysis defined a structure as it relates to civil engineering is a system of interconnected members used to support

*lecture 4 preliminary concepts of structural analysis* - Nov 21 2022

web lecture 4 preliminary concepts of structural analysis when people should go to the ebook stores search foundation by shop shelf by shelf it is in reality problematic this is

**lecture 4 preliminary concepts of structural analysis columbia** - Oct 21 2022

web nov 8 2014 lecture 5 preliminary concepts of structural analysis principle of superposition mathematically the principle of superposition is stated as

*lecture 4 preliminary concepts of structural analysis pdf 2023* - Dec 11 2021

web aug 1 2023 thank you very much for downloading lecture 4 preliminary concepts of structural analysis maybe you have knowledge that people have look numerous times

structural analysis temple university - Feb 10 2022

web university of mumbai semester 4 se second year structural analysis 1 syllabus free pdf download university of mumbai syllabus 2023 24 semester 4 se second year

**pdf lecture 4 preliminary concepts of** - Oct 01 2023

web lecture 4 preliminary concepts of structural analysis introduction in this class we will focus on the structural analysis of framed structures we will learn about

**lecture 4 preliminary concepts of structural analysis** - Jan 24 2023

web in the analysis of each joint use write arrow mark positive and left arrow mark negative also upward arrow mark positive and downward arrow mark negative clockwise

[structural analysis 1 be civil engineering semester 4 se - Jan 12 2022](#)

web lecture 4 preliminary concepts of structural analysis pdf by online you might not require more time to spend to go to the ebook foundation as with ease as search for

**lecture 4 preliminary concepts of structural analysis pdf** - Aug 31 2023

web sep 13 2023 recognizing the way ways to get this books lecture 4 preliminary concepts of structural analysis is additionally useful you have remained in right site to begin

**theory 1 lecture in introduction to structural analysis** - Jul 18 2022

web home academic documents preliminary concepts of structural analysis doc preview preliminary concepts of structural analysis

*lecture 4 preliminary concepts of structural analysis 2013* - Jul 30 2023

web twelve lectures on multilingualism seven lectures on wang guowei s renjian cihua lectures on differential equations five lectures on supersymmetry invited lectures

*lecture 5 preliminary concepts of structural analysis* - Sep 19 2022

web aug 24 2023 structural analysis udoeyo chapters

**lecture 4 preliminary concepts of structural analysis** - Jun 28 2023

web preliminary analysis of structures donald j fraser 1981 energy abstracts for policy analysis 1978 lectures on innovation in building technology m eekhout 2016 03 10

[lecture 4 preliminary concepts of structural analysis dna viz tpg](#) - Apr 26 2023

web lecture 4 preliminary concepts of structural analysis pdf yeah reviewing a books lecture 4 preliminary concepts of structural analysis pdf could go to your close

[lecture 4 preliminary concepts of structural analysis pdf](#) - Nov 09 2021

**1 1 introduction to structural analysis engineering libretxts** - Aug 19 2022

web aug 28 2014 module1 flexibility 1 rajesh sir shamjith km 9 1k views 85 slides structural analysis 1 r vijayakumar 79 6k views 26 slides theory 1 lecture in

*course title structural analysis i course code rci4c003* - Dec 23 2022

web jun 19 2023 lecture 4 preliminary concepts of structural analysis is accessible in our pdf gathering an online access to it is set as public so you can get it

*pdf lecture 4 preliminary concepts of structural analysis pdf* - Mar 26 2023

web 511 04 lecture 4 preliminary concepts of structural analysis introduction in this class we will focus on the structural analysis of framed

**lecture 4 preliminary concepts of structural analysis 2022** - May 16 2022

web conceptual structures common semantics for sharing knowledge college of engineering university of michigan  
publications ten lectures on cognitive modeling positive

lecture4preliminary conceptsofstructura lanalysis - Apr 14 2022

web lecture 4 preliminary concepts of structural analysis martindale s calculators on line center materials graduate school of  
business stanford university supercourse

*structural analysis fourth edition si edition* - May 28 2023

web 2010 lecture 4 preliminary concepts oflecture 4 preliminary concepts of structural analysis continuous beam loads on a  
beam are applied in a plane