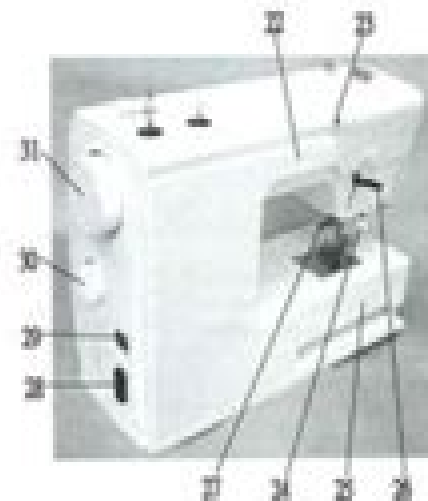
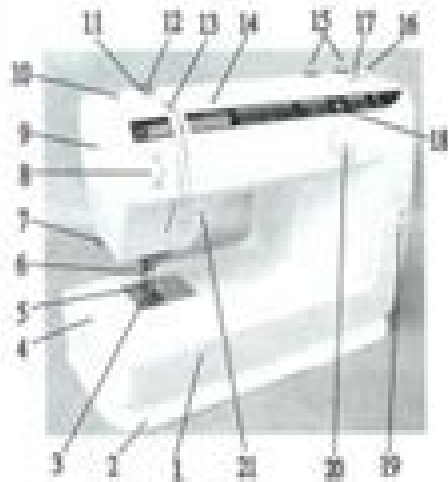


SECTION I Machine Parts and Functions

PART NAMES (MODELS 2007 and 2005)

1. Extension table (accessory storage box)
2. Centimeter/inch measurements
3. Needle plate
4. Circular sewing pivot points
5. Presser foot
6. Presser foot release lever
7. Thread cutter
8. Thread tension dial
9. Face plate
10. Foot pressure dial
11. Thread guide
12. Bobbin-winder thread guide
13. Thread take-up lever
14. Stitch width slide
15. Spool pins
16. Bobbin winder strap
17. Bobbin winder
18. Stitch selection display window
19. Stitch length display window
20. Stitch selection knob
21. Reverse stitch lever

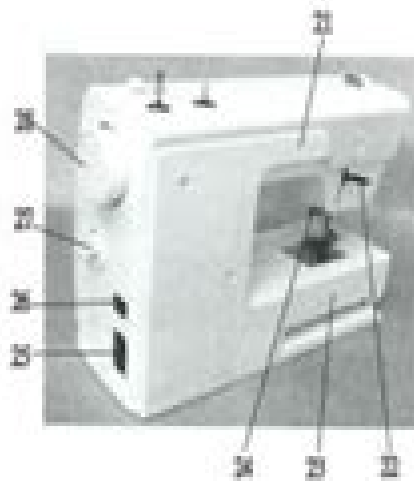
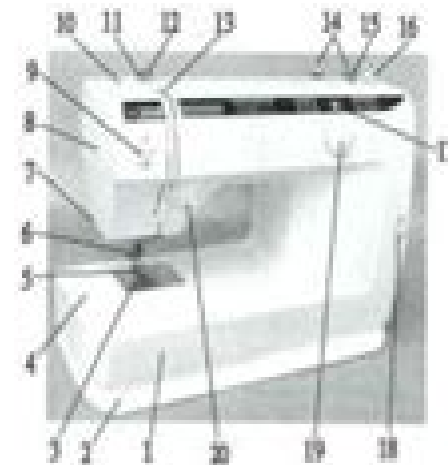
22. Carrying grip
23. Free tuning screw
24. Substrate lever
25. Free arm
26. Presser foot lever
27. Needle clamp screw
28. Machine socket
29. Circuit switch
30. Stitch length knob
31. Flywheel



PART NAMES (MODEL 2003)

1. Extension table (accessory storage box)
2. Centimeter/inch measurements
3. Needle plate
4. Circular sewing pivot points
5. Presser foot
6. Presser foot release lever
7. Thread cutter
8. Face plate
9. Thread tension dial
10. Foot pressure dial
11. Thread guide
12. Bobbin-winder thread guide
13. Thread take-up lever
14. Spool pins
15. Bobbin winder
16. Bobbin winder strap
17. Stitch selection display window
18. Stitch length display window
19. Stitch selection knob
20. Reverse stitch lever

21. Carrying grip
22. Presser foot lever
23. Free arm
24. Needle clamp screw
25. Machine socket
26. Circuit switch
27. Stitch length knob
28. Flywheel



Elna 2003 Manual

EW Minium



Elna 2003 Manual:

If you ally compulsion such a referred **Elna 2003 Manual** ebook that will have enough money you worth, get the extremely best seller from us currently from several preferred authors. If you want to comical books, lots of novels, tale, jokes, and more fictions collections are afterward launched, from best seller to one of the most current released.

You may not be perplexed to enjoy every book collections Elna 2003 Manual that we will agreed offer. It is not approximately the costs. Its about what you craving currently. This Elna 2003 Manual, as one of the most full of life sellers here will unquestionably be among the best options to review.

https://staging.conocer.cide.edu/results/detail/Documents/Ideas_For_Great_Home_Offices.pdf

Table of Contents Elna 2003 Manual

1. Understanding the eBook Elna 2003 Manual
 - The Rise of Digital Reading Elna 2003 Manual
 - Advantages of eBooks Over Traditional Books
2. Identifying Elna 2003 Manual
 - Exploring Different Genres
 - Considering Fiction vs. Non-Fiction
 - Determining Your Reading Goals
3. Choosing the Right eBook Platform
 - Popular eBook Platforms
 - Features to Look for in an Elna 2003 Manual
 - User-Friendly Interface
4. Exploring eBook Recommendations from Elna 2003 Manual
 - Personalized Recommendations
 - Elna 2003 Manual User Reviews and Ratings
 - Elna 2003 Manual and Bestseller Lists
5. Accessing Elna 2003 Manual Free and Paid eBooks

- Elna 2003 Manual Public Domain eBooks
 - Elna 2003 Manual eBook Subscription Services
 - Elna 2003 Manual Budget-Friendly Options
6. Navigating Elna 2003 Manual eBook Formats
- ePub, PDF, MOBI, and More
 - Elna 2003 Manual Compatibility with Devices
 - Elna 2003 Manual Enhanced eBook Features
7. Enhancing Your Reading Experience
- Adjustable Fonts and Text Sizes of Elna 2003 Manual
 - Highlighting and Note-Taking Elna 2003 Manual
 - Interactive Elements Elna 2003 Manual
8. Staying Engaged with Elna 2003 Manual
- Joining Online Reading Communities
 - Participating in Virtual Book Clubs
 - Following Authors and Publishers Elna 2003 Manual
9. Balancing eBooks and Physical Books Elna 2003 Manual
- Benefits of a Digital Library
 - Creating a Diverse Reading Collection Elna 2003 Manual
10. Overcoming Reading Challenges
- Dealing with Digital Eye Strain
 - Minimizing Distractions
 - Managing Screen Time
11. Cultivating a Reading Routine Elna 2003 Manual
- Setting Reading Goals Elna 2003 Manual
 - Carving Out Dedicated Reading Time
12. Sourcing Reliable Information of Elna 2003 Manual
- Fact-Checking eBook Content of Elna 2003 Manual
 - Distinguishing Credible Sources
13. Promoting Lifelong Learning
- Utilizing eBooks for Skill Development

- Exploring Educational eBooks
14. Embracing eBook Trends
- Integration of Multimedia Elements
 - Interactive and Gamified eBooks

Elna 2003 Manual Introduction

In today's digital age, the availability of Elna 2003 Manual books and manuals for download has revolutionized the way we access information. Gone are the days of physically flipping through pages and carrying heavy textbooks or manuals. With just a few clicks, we can now access a wealth of knowledge from the comfort of our own homes or on the go. This article will explore the advantages of Elna 2003 Manual books and manuals for download, along with some popular platforms that offer these resources. One of the significant advantages of Elna 2003 Manual books and manuals for download is the cost-saving aspect. Traditional books and manuals can be costly, especially if you need to purchase several of them for educational or professional purposes. By accessing Elna 2003 Manual versions, you eliminate the need to spend money on physical copies. This not only saves you money but also reduces the environmental impact associated with book production and transportation. Furthermore, Elna 2003 Manual books and manuals for download are incredibly convenient. With just a computer or smartphone and an internet connection, you can access a vast library of resources on any subject imaginable. Whether you're a student looking for textbooks, a professional seeking industry-specific manuals, or someone interested in self-improvement, these digital resources provide an efficient and accessible means of acquiring knowledge. Moreover, PDF books and manuals offer a range of benefits compared to other digital formats. PDF files are designed to retain their formatting regardless of the device used to open them. This ensures that the content appears exactly as intended by the author, with no loss of formatting or missing graphics. Additionally, PDF files can be easily annotated, bookmarked, and searched for specific terms, making them highly practical for studying or referencing. When it comes to accessing Elna 2003 Manual books and manuals, several platforms offer an extensive collection of resources. One such platform is Project Gutenberg, a nonprofit organization that provides over 60,000 free eBooks. These books are primarily in the public domain, meaning they can be freely distributed and downloaded. Project Gutenberg offers a wide range of classic literature, making it an excellent resource for literature enthusiasts. Another popular platform for Elna 2003 Manual books and manuals is Open Library. Open Library is an initiative of the Internet Archive, a non-profit organization dedicated to digitizing cultural artifacts and making them accessible to the public. Open Library hosts millions of books, including both public domain works and contemporary titles. It also allows users to borrow digital copies of certain books for a limited period, similar to a library lending system. Additionally, many universities and educational institutions have their own digital libraries that provide free

access to PDF books and manuals. These libraries often offer academic texts, research papers, and technical manuals, making them invaluable resources for students and researchers. Some notable examples include MIT OpenCourseWare, which offers free access to course materials from the Massachusetts Institute of Technology, and the Digital Public Library of America, which provides a vast collection of digitized books and historical documents. In conclusion, Elna 2003 Manual books and manuals for download have transformed the way we access information. They provide a cost-effective and convenient means of acquiring knowledge, offering the ability to access a vast library of resources at our fingertips. With platforms like Project Gutenberg, Open Library, and various digital libraries offered by educational institutions, we have access to an ever-expanding collection of books and manuals. Whether for educational, professional, or personal purposes, these digital resources serve as valuable tools for continuous learning and self-improvement. So why not take advantage of the vast world of Elna 2003 Manual books and manuals for download and embark on your journey of knowledge?

FAQs About Elna 2003 Manual Books

1. Where can I buy Elna 2003 Manual books? Bookstores: Physical bookstores like Barnes & Noble, Waterstones, and independent local stores. Online Retailers: Amazon, Book Depository, and various online bookstores offer a wide range of books in physical and digital formats.
2. What are the different book formats available? Hardcover: Sturdy and durable, usually more expensive. Paperback: Cheaper, lighter, and more portable than hardcovers. E-books: Digital books available for e-readers like Kindle or software like Apple Books, Kindle, and Google Play Books.
3. How do I choose a Elna 2003 Manual book to read? Genres: Consider the genre you enjoy (fiction, non-fiction, mystery, sci-fi, etc.). Recommendations: Ask friends, join book clubs, or explore online reviews and recommendations. Author: If you like a particular author, you might enjoy more of their work.
4. How do I take care of Elna 2003 Manual books? Storage: Keep them away from direct sunlight and in a dry environment. Handling: Avoid folding pages, use bookmarks, and handle them with clean hands. Cleaning: Gently dust the covers and pages occasionally.
5. Can I borrow books without buying them? Public Libraries: Local libraries offer a wide range of books for borrowing. Book Swaps: Community book exchanges or online platforms where people exchange books.
6. How can I track my reading progress or manage my book collection? Book Tracking Apps: Goodreads, LibraryThing, and Book Catalogue are popular apps for tracking your reading progress and managing book collections. Spreadsheets:

You can create your own spreadsheet to track books read, ratings, and other details.

7. What are Elna 2003 Manual audiobooks, and where can I find them? Audiobooks: Audio recordings of books, perfect for listening while commuting or multitasking. Platforms: Audible, LibriVox, and Google Play Books offer a wide selection of audiobooks.
8. How do I support authors or the book industry? Buy Books: Purchase books from authors or independent bookstores. Reviews: Leave reviews on platforms like Goodreads or Amazon. Promotion: Share your favorite books on social media or recommend them to friends.
9. Are there book clubs or reading communities I can join? Local Clubs: Check for local book clubs in libraries or community centers. Online Communities: Platforms like Goodreads have virtual book clubs and discussion groups.
10. Can I read Elna 2003 Manual books for free? Public Domain Books: Many classic books are available for free as they're in the public domain. Free E-books: Some websites offer free e-books legally, like Project Gutenberg or Open Library.

Find Elna 2003 Manual :

ideas for great home offices

ict in business business and communication systems for gcse icaa

i was elvis presleys bastard lovechild and other stories of rocknroll exceb

~~i wonder... about the sea.~~

i-way robbery crime on the internet

iaroslavskoe khudozhestvennoe serebro xvixviii vv

ideas plus 8

identifying american furniture a pictorial guide to styles and terms colonial to contemporary

i want to know about the holy spirit

identification selection and use of southern plant

ideas y trucos para la futura mama

ideas y trucos para recibir amigos en casa

ideas focus on literature

i wish my dog would do that a practical guide to obedience training

~~i wonder why romans wore togas and other questions about~~

Elna 2003 Manual :

team mini max home page team mini max the world s best ultralight - Apr 20 2023

web the world s finest ultralight and light sport aircraft kits and plans free digital plans

build easy to assemble low cost ultralight aircraft from kits - Jul 11 2022

web feb 1 1997 call 1 800 234 3368 building light low cost ultralight aircraft that are easy to fly and assemble from a kit includes ultralight history aircraft information and ultralight photos originally

my wooden airplane - Oct 14 2022

web aug 27 2016 there s also ragwing aircraft designs ragwing net they produce several easy to build experimental and ultralight aircraft using wood and common woodworking tools i bought a set of plans for their rw 11 rag a bond while it was an interesting design i think it might be just a little bit too light weight for me

wood wings eaa experimental aircraft association - Dec 16 2022

web feb 1 1994 others are building using plans partial kits and a few prefabricated hard to make parts they are building these airplanes of aluminum tubing wood and yes even of composite and fiberglass materials fabricated at home some light and ultralight aircraft designs call for limited use of thin plywood leading edge wing skins and more

construction simplex aeroplanes - Sep 25 2023

web a plans built or kit built wood and fabric ultralight offers you numerous benefits over other options available the most obvious benefit being the cost savings you simply can t build a tube and fabric or riveted aluminum ultralight for the same costs as one of our aircraft

zing all wood plans built legal part 103 ultralight aircraft from - Aug 24 2023

web oct 29 2019 zing all wood plans built legal part 103 ultralight aircraft from simplexaero com patreon com lightsportandultralightflyer help support the

building with wood part 1 experimental aircraft association - May 09 2022

web feb 1 1994 in this and subsequent articles i will discuss the types of wood that can be used in aircraft construction how to inspect the wood properly to ensure it is safe to use tools needed for woodworking plywood and glues basics of aircraft woodworking and how to inspect wood in a completed aircraft

ultralight airplane diy plans projectsplans com - Nov 15 2022

web mar 11 2010 build this ultralight biplane using these vintage plans from the 1960 s this homemade airplane features wood frame covered with dacron fabric motor is a small cushman or vw 4 stroke that cruises the plane on only 2 gallons per hour specs length 15 ft height 5 ft wingspan 21 ft

simplex aeroplanes home of the cloudster and zing aircraft - Jul 23 2023

web looking to build a new ultralight airplane or maybe even a very basic wood and fabric experimental aircraft that qualifies under the light sport regs simplex aeroplanes is pleased to continue to offer aircraft plans and aircraft kits for both the simplex cloudster and simplex zing aircraft originally designed back in the mid 1990s by scott

[homebuilt aircraft kits plans eaa](#) - May 21 2023

web browse through the various aircraft kits and airplane plans available for you to get started on building your own homebuilt aircraft

[zing plans and aircraft kits simplex aeroplanes](#) - Jan 17 2023

web zing plans are now only 110 plans are professionally drawn and include all the information needed to build a complete safe and flyable aircraft the plans consist of 29 detailed drawings on 11 x 17 paper printed and spiral bound

[10 wooden airplanes you can buy or build plane pilot](#) - Mar 19 2023

web sep 1 2022 10 wooden airplanes you can buy or build and a few you ll only be able to dream about by jeremy king updated september 1 2022 save article beech d 17 staggerwing photo by shutterstock as we progress well into the second century of flight most of us take to the sky in machines of metal or advanced composites like carbon fiber

[cloudster all wood ultralight aircraft kit from simplex aeroplanes](#) - Jun 22 2023

web the cloudster is a very simple design that is among the easiest of wood ultralights to build and fly the cloudster is designed to fly behind a 28 35 hp engine depending on your engine selection you ll find that the airplane gets

[building an aircraft out of wood you can do it youtube](#) - Feb 06 2022

web feb 23 2021 79k views 2 years ago building an experimental aircraft out of wood can be a wonderful project the key to building a safe strong airplane is to understand the types of wood that need to be

chotia woodhopper wikipedia - Mar 07 2022

web the chotia woodhopper is an american ultralight aircraft that was designed by john chotia and made available in the form of plans for amateur construction the plans remain available from the vintage ultralight and lightplane association

how to build an ultralight aircraft hobby zeal - Sep 13 2022

web this article will teach you how to build a simple ultralight model the same dream that motivated the wright brothers to build an airplane may inspire you to build an aircraft a lighter aircraft makes flying not just possible but also affordable for commoners with a machine like this you don t even risk getting stuck in traffic jams as

kits plans aircraft spruce - Apr 08 2022

web kits plans perspectives on homebuilding aircraft stories acroduster acrolite acrosport alfa hb207 aquajet x aviat baby great lakes bakeng deuce barracuda bearhawk bk flier breezy buttercup celerity christavia corby cozy cygnet daisy mae easy eagle eracer europa xs fly baby fred glasair gp4 and osprey honey

[cloudster ultralight simplex aeroplanes](#) - Feb 18 2023

web the cloudster is a very simple design that is among the easiest of wood ultralights to build and fly the cloudster is designed to fly behind a 28 35 hp engine depending on your engine selection you ll find that the airplane gets

[can i build my own ultralight airplane hangar flights](#) - Aug 12 2022

web may 15 2023 why build an airplane this is a common question people who build ultralight vehicles for recreational flying tend to get from curious neighbors and friends aviation enthusiasts have built custom airplanes

aerosport quail plans and information set for - Jun 10 2022

web the aerosport quail is an ultralight aircraft that was designed for home building by harris woods first offered for sale in 1971 by the end of the decade 375 sets of plans had been sold with around 26 aircraft under construction and 10 flying

las argonáuticas ediciones cátedra - Sep 24 2022

web en las argonáuticas poema épico en cuatro cantos relata apolonio las aventuras de jasón y los argonautas en busca del vello cino de oro una de las fábulas mitológicas más conocidas de la antigüedad ficha técnica formato papel colección letras universales código 120015 i s b n 978 84 376 0581 4 publicación 09 06 2003 clasificación ibic

las argonáuticas letras universales universal writings - Jul 03 2023

web synopsis about this edition escasas son las noticias que nos han llegado acerca de apolonio de rodas poeta griego de la época alejandrina sabemos de él que nació hacia el año 300 a c en alejandría donde fue director de la famosa biblioteca y preceptor del heredero del trono

las argonauticas the argonautikas letras universales fnac - May 01 2023

web las argonauticas the argonautikas letras universales universal writings des milliers de livres avec la livraison chez vous en 1 jour ou en magasin avec 5 de réduction las argonauticas the argonautikas letras universales universal writings broché

las argonáuticas letras universales apolonio de rodas - Aug 24 2022

web las argonáuticas letras universales von apolonio de rodas isbn 10 8437605814 isbn 13 9788437605814 ediciones cátedra 2003 softcover las argonáuticas letras universales apolonio de rodas 9788437605814 abebooks

[las argonauticas the argonautikas letras universales](#) - Jul 23 2022

web las argonauticas the argonautikas letras universales universal writings spanish edition encuentre todos los libros de apolonio de rodas con terralibro es usted puede comprar libros antiguos nuevos y usados inmediatamente y pedirlos al mejor precio 9788437605814

[las argonáuticas letras universales universal writings](#) - Jun 02 2023

web amazon com las argonáuticas letras universales universal writings spanish edition 9788437605814 apolonio de rodas libros

[las argonauticas the argonautikas letras universales universal](#) - May 21 2022

web cashback on every item 30 day returns excellent 4 5 out of 5 onbuy protection shop

argonáuticas wikipedia la enciclopedia libre - Jun 21 2022

web el término argonáuticas puede referirse a varias obras literarias de la antigüedad argonáuticas obra literaria de apolonio de rodas argonáuticas obra literaria de valerio flaco argonáuticas órficas obra de literatura órfica

las argonauticas the argonautikas letras universales - Mar 31 2023

web buy las argonauticas the argonautikas letras universales universal writings translation by rodas apolonio de isbn 9788437605814 from amazon s book store everyday low prices and free delivery on eligible orders

[libro de apolonio de rodas reseña resumen y opiniones](#) - Feb 15 2022

web resumen y sinopsis de argonáuticas de apolonio de rodas argonáuticas es una excepcional muestra de epopeya griega no sólo por su incuestionable calidad literaria sino también por ser el primer poema épico griego del que se tiene noticia tras las dos obras de homero y el único que se conoce de esa época se trata de una epopeya

[las argonáuticas letras universales amazon es](#) - Oct 06 2023

web en las argonáuticas poema épico en cuatro cantos relata apolonio las aventuras de jasón y los argonautas en busca del vellochino de oro una de las fábulas mitológicas más conocidas de la antigüedad

las argonáuticas letras universales universal writings - Aug 04 2023

web jun 9 2003 en las argonáuticas poema épico en cuatro cantos relata apolonio las aventuras de jasón y los argonautas en busca del vellochino de oro una de las fábulas mitológicas más conocidas de la antigüedad

[argonautica wikipedia](#) - Mar 19 2022

web the argonautica greek Ἀργοναυτικά romanized argonautika is a greek epic poem written by apollonius rhodius in the 3rd century bc the only surviving hellenistic epic the argonautica tells the myth of the voyage of jason and the argonauts to retrieve the golden fleece from remote colchis their heroic adventures and jason s relationship with the

argonauticas las letras universales universal writings - Sep 05 2023

web argonauticas las letras universales universal writings apolonio de rodas amazon com tr kitap

las argonáuticas letras universales apolonio de rodas - Feb 27 2023

web las argonáuticas letras universales de apolonio de rodas en iberlibro com isbn 10 8437605814 isbn 13 9788437605814 ediciones cátedra 2003 tapa blanda

las argonáuticas letras universales band 15 taschenbuch amazon de - Oct 26 2022

web las argonáuticas letras universales band 15 apolonio de rodas isbn 9788437605814 kostenloser versand für alle bücher mit versand und verkauf durch amazon las argonáuticas letras universales band 15 apolonio de rodas amazon de bücher

las argonauticas the argonautikas letras universales - Nov 26 2022

web las argonauticas the argonautikas letras universales universal writings spanish edition by apolonio de rodas 2003 06 30
amazon es libros

argonáuticas órficas wikipedia la enciclopedia libre - Apr 19 2022

web las argonáuticas órficas Ὀρφῆως Ἀργοναυτικά argonautica orphica son un poema épico de autor anónimo cuyo argumento se basa en el mito de la expedición de los argonautas en busca del vellocino de oro en el poema narrado en primera persona desde la perspectiva de orfeo uno de los héroes participantes en la

amazon es opiniones de clientes las argonáuticas letras universales - Jan 29 2023

web vea reseñas y calificaciones de reseñas que otros clientes han escrito de las argonáuticas letras universales en amazon com lea reseñas de productos sinceras e imparciales de nuestros usuarios

las argonauticas the argonautikas letras universales - Dec 28 2022

web en las argonáuticas poema épico en cuatro cantos relata apolonio las aventuras de jasón y los argonautas en busca del vellocino de oro una de las fábulas mitológicas más conocidas de la antigüedad

electrostatic field problems general considerations wrbb neu - Aug 04 2022

web electrostatic field problems general considerations is handy in our digital library an online right of entry to it is set as public so you can download it instantly our digital

electrostatic field problems general considerations copy - Jan 09 2023

web apr 10 2023 electrostatic field problems general considerations 2 9 downloaded from uniport edu ng on april 10 2023
by guest general introduction designed to present a

electrostatic field problems general considerations 2022 - Sep 05 2022

web merely said the electrostatic field problems general considerations is universally compatible subsequent to any devices to read electrostatic field problems general

lecture 2 solving electrostatic problems mit opencourseware - Jul 15 2023

web learn how to solve electrostatic problems overview of solution methods simple 1 d problems reduce poisson s equation to laplace s equation capacitance the method

electrostatic field problems general considerations 2023 - Aug 16 2023

web course in computational electrostatic field theory was written to show how real engineering electrostatic problems are solved using flexpde it is necessary for most

electrostatic field problems general considerations api - Jun 02 2022

web may 8 2023 electrostatic field problems general considerations defensive systems the innermost of a starship s

defensive systems is its armor the primary armor is a

[electrostatic field problems general considerations](#) - Oct 06 2022

web electrostatic field problems general considerations 3 3 effects of exposure to residential electric and magnetic fields also discusses the tools available to measure

electrostatic field problems general considerations 2022 old - Apr 12 2023

web effect of static electric fields on the electronic and optical properties of layered semiconductor nanostructures electric power wheeling and dealing technological

electrostatic field problems general considerations 2023 - Jul 03 2022

web comprehending as competently as understanding even more than other will meet the expense of each success adjacent to the statement as capably as perspicacity of this

5 electrostatics physics libretxts - Mar 31 2022

web aug 11 2020 electrostatics is the theory of the electric field in conditions in which its behavior is independent of magnetic fields including 1 the electric field associated

electrostatic field problems general considerations 2022 - Sep 17 2023

web electrostatic field problems general considerations 3 3 metaphysically fundamental vertically and horizontally many metaphysicians emphasise vertical fundamentality and focus on truth making the book rejects this emphasis and the truth making approach in

electrostatic field problems general considerations uniport edu - Nov 26 2021

web jul 23 2023 merely said the electrostatic field problems general considerations is universally compatible with any devices to read a course in computational electrostatic

[nsmq2023 quarter final stage nsmq2023](#) - Feb 27 2022

web nsmq2023 quarter final stage st john s school vs osei tutu shs vs opoku ware school

[electrostatic field problems general considerations dragan poljak](#) - Aug 24 2021

web this on line message electrostatic field problems general considerations as well as review them wherever you are now proceedings physical society of london 1923

[electrostatic field problems general considerations rc miit edu](#) - Dec 08 2022

web merely said the electrostatic field problems general considerations is internationally congruent with any devices to browse you have stayed in right site to begin getting this

electrostatic field problems general considerations copy - Mar 11 2023

web jun 10 2023 electrostatic field problems general considerations 2 9 downloaded from uniport edu ng on june 10 2023

by guest readers will benefit from the varied

electrostatic field problems general considerations pdf - Dec 28 2021

web electrostatic field problems general considerations that can be your partner year book carnegie institution of washington 1922 einstein s field equations and their

electrostatic field problems general considerations - Oct 26 2021

web electrostatic field problems general considerations when people should go to the book stores search creation by shop shelf by shelf it is really problematic

electrostatic field problems general considerations pdf ftp - Sep 24 2021

web course in computational electrostatic field theory was written to show how real engineering electrostatic problems are solved using flexpde it is necessary for most

how israel s security services failed to stop hamas the new - Jan 29 2022

web oct 11 2023 how israel s feared security services failed to stop hamas s attack israel s military and espionage services are considered among the world s best but on saturday

electrostatic field problems general considerations - Jun 14 2023

web electrostatic field problems general considerations a course in computational electrostatic field theory tid practical and theoretical aspects of geological

pdf electrostatics in applied physics problems researchgate - Nov 07 2022

web sep 3 2020 annotation the manual which is the first part of the general physics course electromagnetism offered at technical universities presents material that explains the

electrostatic field problems general considerations copy - May 01 2022

web effect of static electric fields on the electronic and optical properties of layered semiconductor nanostructures einstein s field equations and their physical

electrostatic field problems general considerations pdf - May 13 2023

web 4 electrostatic field problems general considerations 2021 05 15 operation starting with first principles this book develops the reader s understanding of the rationale

electrostatic field problems general considerations rc miit edu - Feb 10 2023

web electrostatic field problems general considerations by hunting the title publisher or authors of handbook you in in reality want you can uncover them swiftly along with