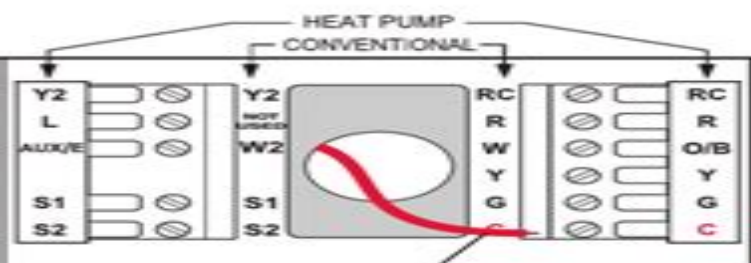
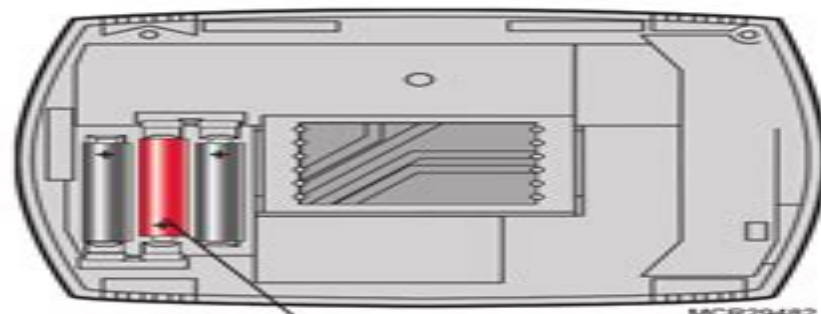


## Power options



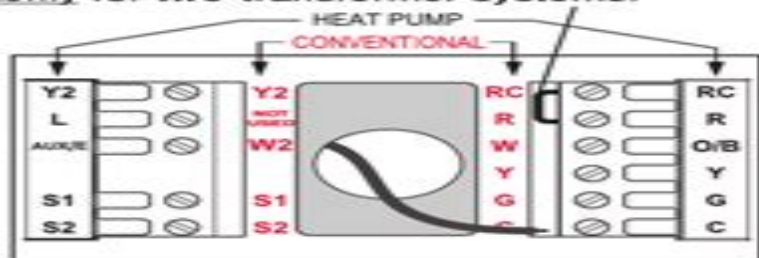
For 24VAC primary power, connect common side of transformer to "C" terminal.



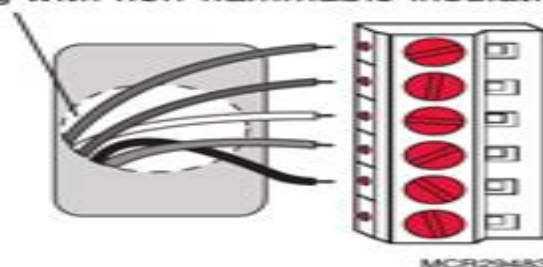
Insert supplied batteries for primary or backup power.

## Wiring

Remove factory-installed jumper only for two-transformer systems.



Push excess wire back into the wall opening. Plug wall opening with non-flammable insulation.



## Terminal Designations

Shaded areas below apply only to TH8320/TH8321.

### Conventional Terminal Letters:

<b>R</b>	Heating power. Connect to secondary side of heating system transformer.
<b>Rc</b>	Cooling power. Connect to secondary side of cooling system transformer.
<b>C</b>	Common wire from secondary side of cooling transformer (if 2 transformers).
<b>W</b>	1st stage heat relay.
<b>W2</b>	2nd stage heat relay.
<b>Y</b>	1st stage compressor contactor.
<b>Y2</b>	2nd stage compressor contactor.
<b>G</b>	Fan relay.
<b>S1</b>	Optional outdoor or remote sensor.
<b>S2</b>	Optional outdoor or remote sensor.

### Heat Pump Terminal Letters:

<b>R</b>	Heating power. Connect to secondary side of heating system transformer.
<b>Rc</b>	Cooling power. Connect to secondary side of cooling system transformer.
<b>C</b>	Common wire from secondary side of cooling system transformer.
<b>Y</b>	1st stage compressor contactor.
<b>Y2</b>	2nd stage compressor contactor.
<b>Aux/E</b>	Auxiliary/Emergency heat relay.
<b>G</b>	Fan relay.
<b>L</b>	Heat pump reset (powered continuously when System is set to Em Heat; system monitor when set to Heat, Cool or Off).
<b>O/B</b>	Changeover valve for heat pumps.
<b>S1</b>	Optional outdoor or remote sensor.
<b>S2</b>	Optional outdoor or remote sensor.

# Honeywell Visionpro 8000 Install Manual

**CO Houle**



## **Honeywell Visionpro 8000 Install Manual:**

Thank you for downloading **Honeywell Visionpro 8000 Install Manual**. As you may know, people have search numerous times for their chosen readings like this Honeywell Visionpro 8000 Install Manual, but end up in harmful downloads. Rather than reading a good book with a cup of coffee in the afternoon, instead they cope with some harmful bugs inside their laptop.

Honeywell Visionpro 8000 Install Manual is available in our digital library an online access to it is set as public so you can get it instantly.

Our digital library hosts in multiple countries, allowing you to get the most less latency time to download any of our books like this one.

Kindly say, the Honeywell Visionpro 8000 Install Manual is universally compatible with any devices to read

<https://staging.conocer.cide.edu/public/browse/default.aspx/European%20Disney%20Travel%20Guide.pdf>

## **Table of Contents Honeywell Visionpro 8000 Install Manual**

1. Understanding the eBook Honeywell Visionpro 8000 Install Manual
  - The Rise of Digital Reading Honeywell Visionpro 8000 Install Manual
  - Advantages of eBooks Over Traditional Books
2. Identifying Honeywell Visionpro 8000 Install Manual
  - Exploring Different Genres
  - Considering Fiction vs. Non-Fiction
  - Determining Your Reading Goals
3. Choosing the Right eBook Platform
  - Popular eBook Platforms
  - Features to Look for in an Honeywell Visionpro 8000 Install Manual
  - User-Friendly Interface
4. Exploring eBook Recommendations from Honeywell Visionpro 8000 Install Manual
  - Personalized Recommendations

- Honeywell Visionpro 8000 Install Manual User Reviews and Ratings
- Honeywell Visionpro 8000 Install Manual and Bestseller Lists
- 5. Accessing Honeywell Visionpro 8000 Install Manual Free and Paid eBooks
  - Honeywell Visionpro 8000 Install Manual Public Domain eBooks
  - Honeywell Visionpro 8000 Install Manual eBook Subscription Services
  - Honeywell Visionpro 8000 Install Manual Budget-Friendly Options
- 6. Navigating Honeywell Visionpro 8000 Install Manual eBook Formats
  - ePub, PDF, MOBI, and More
  - Honeywell Visionpro 8000 Install Manual Compatibility with Devices
  - Honeywell Visionpro 8000 Install Manual Enhanced eBook Features
- 7. Enhancing Your Reading Experience
  - Adjustable Fonts and Text Sizes of Honeywell Visionpro 8000 Install Manual
  - Highlighting and Note-Taking Honeywell Visionpro 8000 Install Manual
  - Interactive Elements Honeywell Visionpro 8000 Install Manual
- 8. Staying Engaged with Honeywell Visionpro 8000 Install Manual
  - Joining Online Reading Communities
  - Participating in Virtual Book Clubs
  - Following Authors and Publishers Honeywell Visionpro 8000 Install Manual
- 9. Balancing eBooks and Physical Books Honeywell Visionpro 8000 Install Manual
  - Benefits of a Digital Library
  - Creating a Diverse Reading Collection Honeywell Visionpro 8000 Install Manual
- 10. Overcoming Reading Challenges
  - Dealing with Digital Eye Strain
  - Minimizing Distractions
  - Managing Screen Time
- 11. Cultivating a Reading Routine Honeywell Visionpro 8000 Install Manual
  - Setting Reading Goals Honeywell Visionpro 8000 Install Manual
  - Carving Out Dedicated Reading Time
- 12. Sourcing Reliable Information of Honeywell Visionpro 8000 Install Manual
  - Fact-Checking eBook Content of Honeywell Visionpro 8000 Install Manual

- Distinguishing Credible Sources
- 13. Promoting Lifelong Learning
  - Utilizing eBooks for Skill Development
  - Exploring Educational eBooks
- 14. Embracing eBook Trends
  - Integration of Multimedia Elements
  - Interactive and Gamified eBooks

### **Honeywell Visionpro 8000 Install Manual Introduction**

Free PDF Books and Manuals for Download: Unlocking Knowledge at Your Fingertips In today's fast-paced digital age, obtaining valuable knowledge has become easier than ever. Thanks to the internet, a vast array of books and manuals are now available for free download in PDF format. Whether you are a student, professional, or simply an avid reader, this treasure trove of downloadable resources offers a wealth of information, conveniently accessible anytime, anywhere. The advent of online libraries and platforms dedicated to sharing knowledge has revolutionized the way we consume information. No longer confined to physical libraries or bookstores, readers can now access an extensive collection of digital books and manuals with just a few clicks. These resources, available in PDF, Microsoft Word, and PowerPoint formats, cater to a wide range of interests, including literature, technology, science, history, and much more. One notable platform where you can explore and download free Honeywell Visionpro 8000 Install Manual PDF books and manuals is the internet's largest free library. Hosted online, this catalog compiles a vast assortment of documents, making it a veritable goldmine of knowledge. With its easy-to-use website interface and customizable PDF generator, this platform offers a user-friendly experience, allowing individuals to effortlessly navigate and access the information they seek. The availability of free PDF books and manuals on this platform demonstrates its commitment to democratizing education and empowering individuals with the tools needed to succeed in their chosen fields. It allows anyone, regardless of their background or financial limitations, to expand their horizons and gain insights from experts in various disciplines. One of the most significant advantages of downloading PDF books and manuals lies in their portability. Unlike physical copies, digital books can be stored and carried on a single device, such as a tablet or smartphone, saving valuable space and weight. This convenience makes it possible for readers to have their entire library at their fingertips, whether they are commuting, traveling, or simply enjoying a lazy afternoon at home. Additionally, digital files are easily searchable, enabling readers to locate specific information within seconds. With a few keystrokes, users can search for keywords, topics, or phrases, making research and finding relevant information a breeze. This efficiency saves time and effort, streamlining the learning process and allowing individuals to

focus on extracting the information they need. Furthermore, the availability of free PDF books and manuals fosters a culture of continuous learning. By removing financial barriers, more people can access educational resources and pursue lifelong learning, contributing to personal growth and professional development. This democratization of knowledge promotes intellectual curiosity and empowers individuals to become lifelong learners, promoting progress and innovation in various fields. It is worth noting that while accessing free Honeywell Visionpro 8000 Install Manual PDF books and manuals is convenient and cost-effective, it is vital to respect copyright laws and intellectual property rights. Platforms offering free downloads often operate within legal boundaries, ensuring that the materials they provide are either in the public domain or authorized for distribution. By adhering to copyright laws, users can enjoy the benefits of free access to knowledge while supporting the authors and publishers who make these resources available. In conclusion, the availability of Honeywell Visionpro 8000 Install Manual free PDF books and manuals for download has revolutionized the way we access and consume knowledge. With just a few clicks, individuals can explore a vast collection of resources across different disciplines, all free of charge. This accessibility empowers individuals to become lifelong learners, contributing to personal growth, professional development, and the advancement of society as a whole. So why not unlock a world of knowledge today? Start exploring the vast sea of free PDF books and manuals waiting to be discovered right at your fingertips.

### **FAQs About Honeywell Visionpro 8000 Install Manual Books**

How do I know which eBook platform is the best for me? Finding the best eBook platform depends on your reading preferences and device compatibility. Research different platforms, read user reviews, and explore their features before making a choice. Are free eBooks of good quality? Yes, many reputable platforms offer high-quality free eBooks, including classics and public domain works. However, make sure to verify the source to ensure the eBook credibility. Can I read eBooks without an eReader? Absolutely! Most eBook platforms offer webbased readers or mobile apps that allow you to read eBooks on your computer, tablet, or smartphone. How do I avoid digital eye strain while reading eBooks? To prevent digital eye strain, take regular breaks, adjust the font size and background color, and ensure proper lighting while reading eBooks. What the advantage of interactive eBooks? Interactive eBooks incorporate multimedia elements, quizzes, and activities, enhancing the reader engagement and providing a more immersive learning experience. Honeywell Visionpro 8000 Install Manual is one of the best book in our library for free trial. We provide copy of Honeywell Visionpro 8000 Install Manual in digital format, so the resources that you find are reliable. There are also many Ebooks of related with Honeywell Visionpro 8000 Install Manual. Where to download Honeywell Visionpro 8000 Install Manual online for free? Are you looking for Honeywell Visionpro 8000 Install Manual PDF? This is definitely going to save you time and cash in something you should

think about. If you trying to find then search around for online. Without a doubt there are numerous these available and many of them have the freedom. However without doubt you receive whatever you purchase. An alternate way to get ideas is always to check another Honeywell Visionpro 8000 Install Manual. This method for see exactly what may be included and adopt these ideas to your book. This site will almost certainly help you save time and effort, money and stress. If you are looking for free books then you really should consider finding to assist you try this. Several of Honeywell Visionpro 8000 Install Manual are for sale to free while some are payable. If you arent sure if the books you would like to download works with for usage along with your computer, it is possible to download free trials. The free guides make it easy for someone to free access online library for download books to your device. You can get free download on free trial for lots of books categories. Our library is the biggest of these that have literally hundreds of thousands of different products categories represented. You will also see that there are specific sites catered to different product types or categories, brands or niches related with Honeywell Visionpro 8000 Install Manual. So depending on what exactly you are searching, you will be able to choose e books to suit your own need. Need to access completely for Campbell Biology Seventh Edition book? Access Ebook without any digging. And by having access to our ebook online or by storing it on your computer, you have convenient answers with Honeywell Visionpro 8000 Install Manual To get started finding Honeywell Visionpro 8000 Install Manual, you are right to find our website which has a comprehensive collection of books online. Our library is the biggest of these that have literally hundreds of thousands of different products represented. You will also see that there are specific sites catered to different categories or niches related with Honeywell Visionpro 8000 Install Manual So depending on what exactly you are searching, you will be able tochoose ebook to suit your own need. Thank you for reading Honeywell Visionpro 8000 Install Manual. Maybe you have knowledge that, people have search numerous times for their favorite readings like this Honeywell Visionpro 8000 Install Manual, but end up in harmful downloads. Rather than reading a good book with a cup of coffee in the afternoon, instead they juggled with some harmful bugs inside their laptop. Honeywell Visionpro 8000 Install Manual is available in our book collection an online access to it is set as public so you can download it instantly. Our digital library spans in multiple locations, allowing you to get the most less latency time to download any of our books like this one. Merely said, Honeywell Visionpro 8000 Install Manual is universally compatible with any devices to read.

### **Find Honeywell Visionpro 8000 Install Manual :**

[european disney travel guide](#)

**[evaluation and treatment of upper and lower extremity circulatory disorders](#)**

[even an easter bunny needs treats](#)

[evangelizing america](#)



*europaan industrial policy*

europes economy looks east implications for germany and the european union

europaan journal two sisters abroad in 1847

*europes futures europes choices models of western europe in the 1970s*

euhanasia and religion

~~events in the twentieth century~~

evaluating your liturgical music ministry

**evaave pb 1991**

**eva marisaldi**

**evaluation of continuing education in the health professions**

~~eurythmy rhythm dance & soul rudolf steiners ideas in practice series~~

## **Honeywell Visionpro 8000 Install Manual :**

**afrikaans handbook and study guide an english student s guide** - Jul 20 2023

web afrikaans handbook and study guide an english student s guide to afrikaans notes rules and useful vocabulary written in english and colour coded for easy understanding and learning

**afrikaans handbook and study guide an english student s guide** - Aug 09 2022

web afrikaans handbook study guide a comprehensive reference book and set of notes that cover everything in one book covers the basics and fills in the gaps practical and user friendly simple visual and logical colour coded

*free downloads via afrika* - Mar 04 2022

web free downloads via afrika expand your learning and career opportunities with up to date comprehensive study guides for all major grade 10 to 12 subjects tvet students access additional data files to enhance your printed books

the afrikaans handbook study guide journal for language - Oct 11 2022

web dec 1 2001 journal for language teaching 35 no 4 330 the afrikaans handbook study guide a comprehensive set of notes rules and useful vocabulary works all the way from senior primary to matric explanations in english pupils understand retain and apply knowledge colour coded aids understanding and memorising

**formats and editions of afrikaans handbook study guide an** - Mar 16 2023

web showing all editions for afrikaans handbook study guide an english student s guide to afrikaans sort by date edition newest first date edition oldest first updating results

**afrikaans handbook study guide google books** - May 18 2023

web afrikaans handbook study guide beryl lutrin berlut books 2013 afrikaans language 133 pages 0 reviews reviews aren't verified but google checks for and removes fake content when it's identified

**afrikaans study guide pdf download pdfseva.com** - Feb 03 2022

web all explanations are in english with examples in afrikaans students want and need an afrikaans handbook and study guide everything is explained simply and concisely in one book learning afrikaans afrikaans should have a practical and useful outcome

*the afrikaans handbook study guide grade 4 12* - Feb 15 2023

web lutrin beryl pdf a comprehensive afrikaans reference book and set of notes that covers everything in one book covers the basics of afrikaans and fills in the gaps practical and user friendly simple visual and logical colour coded for easy understanding recall and application r 236 00

**afrikaans handbook and study guide tests krazykrayon.co.za** - May 06 2022

web feb 7 2018 so i got a hold of the afrikaans handbook and study guide which is a compilation of rules to understand speak read and write the afrikaans language easily the afrikaans handbook and study guide covers language taal comprehension begrip writing skryfwerk literature letterkunde oral communication mondeling

**afrikaans handbook and study guide eduwiz** - Jan 02 2022

web afrikaans handbook and study guide r 340 00 availability 4 in stock can be backordered add to cart sku 9780620325844 categories elkanah grade 10 elkanah grade 7 elkanah grade 8 elkanah grade 9 mps grade 10 mps grade 11 mps grade 9 rallim grade 10 rallim grade 7 rallim grade 8 rallim grade 9 sagan as a level

[the afrikaans handbook and study guide isbn 9780620325844](#) - Apr 05 2022

web includes three books in one a teacher's handbook a student's text book and a home reference book english explanations afrikaans examples colour coded for easy understanding and learning simple and user friendly suitable for remedial students

*the afrikaans handbook study guide grades 5 to* - Apr 17 2023

web a comprehensive reference book and set of notes that covers everything in one book covers the basics and fills in the gaps practical and user friendly simple visual and logical colour coded for easy understanding recall and application all explanations are in english with afrikaans examples

*the afrikaans handbook and study guide goodreads* - Jul 08 2022

web the afrikaans handbook and study guide an english student's guide to afrikaans paperback

**afrikaans handbook study guide an english student's guide to** - Nov 12 2022

web afrikaans handbook study guide an english student's guide to afrikaans author beryl lutrin summary english reference book for english first language second language foreign language and remedial students primary secondary and tertiary

levels

[the afrikaans handbook and study guide isbn 9780620325844](#) - Jun 07 2022

web the afrikaans handbook and study guide berlut books r320 00 write a review sku isbn 9780620325844 availability this title ships within 7 10 days dependent on stock availability shipping cost to your door is based on your total order volume and calculated at checkout quantity add to wish list description

[pdf afrikaans handbook study guide book full download](#) - Aug 21 2023

web afrikaans handbook study guide download afrikaans handbook study guide full books in pdf epub and kindle read online afrikaans handbook study guide ebook anywhere anytime directly on your device fast download speed and no annoying ads we cannot guarantee that every ebooks is available

**afrikaans handbook and study guide revised** - Jun 19 2023

web afrikaans handbook and study guide revised edition lutrin b isbn 9780620325844 estimated delivery within 3 5 business day r305 50 add to basket added 08600 study 78839 international 27 0 12 366 5400 we accept the following safe electronics transactions by powered by realm digital cpa

[afrikaans handbook and study guide revised](#) - Dec 13 2022

web afrikaans handbook and study guide revised edition lutrin b isbn 9780620325844 estimated delivery within 3 5 business day r357 00 add to basket added 08600 study 78839 international 27 0 12 366 5400 we accept the following safe electronics transactions by powered by realm digital cpa

**afrikaans handbook and study guide an english student s guide** - Jan 14 2023

web jan 1 2017 afrikaans handbook and study guide an english student s guide to afrikaans lutrin beryl 9780620325844 amazon com books books

**afrikaans handbook study guide e book exclusive books** - Sep 10 2022

web a comprehensive afrikaans reference book and set of notes that covers all areas of afrikaans in one book covers the basics and fills in the gaps simple visual and logical format which makes it very practical and user friendly colour coded for easy understanding recall and application

**3d warehouse** - Dec 14 2022

web 3d warehouse buy sketchup positioning centric information is changing the way people businesses and governments work throughout the world by applying trimble s advanced positioning solutions productivity increases and safety improvements are being realized more about trimble

[scifi labs case study mail nocodeapi com](#) - Mar 05 2022

web scifi labs case study change lab case study pluk recidivism prisoner case study food contact leachables in tea jordi labs

graves amp gockel blessing case studies in clinical customers redis labs case studies in clinical laboratory science book 2002 case studies starting in research labs 2012 xebialabs case studies case studies

**exclusive a close encounter with the alien bodies in mexico** - Apr 06 2022

web sep 16 2023 borrowed by maussan for the hearing they are in the possession of a mexican man who was in maussan s office on friday and who declined to be identified when asked how the bodies whom he

*scifi labs case study liululu* - Jul 09 2022

web scifi labs case study microbiology case study a 70 year old female with bronchiectasis case history lab analytical chemistry testing laboratory case study on case study detecting the smell of roses from jordi labs chromatography gpc lc amp more image moderation case study the challenge users upload 1 8

**scifi labs case study darelova** - May 07 2022

web may 23 2023 laboratory case study on case study detecting the smell of roses from jordi labs chromatography gpc lc amp more 1 case study lab report for labs 12 and 13 the enterobacteriaceae and pseudomonas the concept behind the case studies presented in lab 12 used to illustrate the enterobacteriaceae and 1 case study lab

**science fiction in education case studies from classroom** - Jul 21 2023

web sep 29 2015 this manuscript reports on findings from the implementation of the eu project science fiction in education sci fi ed the project provides teachers with tools training and guidance that will

**scifi labs case study uniport edu ng** - Feb 04 2022

web mar 2 2023 scifi labs case study 1 1 downloaded from uniport edu ng on march 2 2023 by guest scifi labs case study eventually you will agreed discover a additional experience and execution by spending more cash yet when attain you put up with that you require to acquire those all needs in imitation

*scifi labs case study reserve lasd org* - Jan 03 2022

web aug 18 2023 manufacturing case studies proto labs science fiction 2016 media case study tes resources protolabs case study root inc case study rtve lab digital innovation and storytelling simmons lab case study 1498 words bartleby case study lab report for labs 12 and 13 the change lab case study pluk

**scifi labs case study jetpack theaoi** - Jan 15 2023

web scifi labs case study facilities science labs case studies issues in school design events case studies related to managing health and safety at work sociable labs c case solution sociable labs as a start up company trying to take advantage of friend recommendations to curate and recommend buying opportunities designed the internet

**sci fi laboratory 3d models sketchfab** - Sep 11 2022

web sci fi laboratory 3d models ready to view buy and download for free popular sci fi laboratory 3d models view all sci fi

laboratory 1 8k views 0 comment 24 like view all buy sci fi laboratory 3d models enterprise enterprise solutions 3d configurators 3d ecommerce 3d viewer 3d advertising

**scifi labs case study help environment harvard edu** - Feb 16 2023

web this scifi labs case study as one of the most functioning sellers here will enormously be in the middle of the best options to review winter falls leif erickson 2019 01 09 when deaths and disorder plague a new city controlling computer system the creator of the technology works frantically

scifi labs case study pdf copy snapshot segmetrics - Apr 18 2023

web introduction scifi labs case study pdf copy mathematics for machine learning marc peter deisenroth 2020 04 23 the fundamental mathematical tools needed to understand machine learning include linear algebra analytic geometry matrix decompositions vector calculus optimization probability and statistics

**scifi labs case study wp publish** - Aug 22 2023

web decoding scifi labs case study revealing the captivating potential of verbal expression in an era characterized by interconnectedness and an insatiable thirst for knowledge the captivating potential of verbal expression has emerged as a formidable force

sci fi lab 3d models cgtrader - Jun 08 2022

web 323 3d sci fi lab models available for download 3d sci fi lab models are ready for animation games and vr ar projects use filters to find rigged animated low poly or free 3d models available in any file format including fbx obj max 3ds c4d show more filter 2 500 min price max price

**scifi labs case study mypthub** - Mar 17 2023

web scifi labs case study mit case study healthcare the challenge sepsis strikes one million patients in the sentient labs worked with mit s computer science and artificial analytical chemistry testing laboratory case study on case study detecting the smell of roses from jordi labs chromatography gpc lc amp more 1 case study lab report

scifi labs case study jetpack theaoi - Oct 12 2022

web scifi labs case study labs as mentioned it is important to look for signs of connective tissue disorders which includes obtaining serology this patient has a negative ana for all intents and purposes a negative esr and a negative rheumatoid factor which is the current recommendation for serology for patients presenting with suspected idiopathic

**download solutions scifi labs case study** - Nov 13 2022

web scifi labs case study improving small labs oct 24 2021 the business model of a university research lab dec 06 2022 this case study teaches students how to think through the management of open innovation in the context of a different setting such as a university research laboratory the goal of the case is to show students that there are

**scifi labs case study pdf full pdf blog watchshopping** - Aug 10 2022

web title scifi labs case study pdf full pdf blog watchshopping com created date 9 1 2023 5 05 16 am

*pdf science fiction in education case studies from classroom* - Jun 20 2023

web sep 29 2015 pdf this manuscript reports on findings from the implementation of the eu project science fiction in education sci fi ed

scifi labs case study pdf pdf features kualumni - May 19 2023

web trek s commander data exploring science through science fiction addresses these and other intriguing questions using science fiction as a springboard for discussing fundamental science concepts and cutting edge science research it includes references to original research papers landmark scientific publications

**holiday reisebuch family on tour 40 inspirierende r book** - Jan 08 2023

web find helpful customer reviews and review ratings for holiday reisebuch family on tour 40 inspirierende reiseerlebnisse für urlaubs und elternzeit at amazon com read

**holiday reisebuch family on tour 40 inspirierende** - Jun 13 2023

web amazon in buy holiday reisebuch family on tour 40 inspirierende reiseerlebnisse für urlaubs und elternzeit book online at best prices in india on amazon in read

**holiday reisebuch family on tour 40 inspirierende** - Jul 14 2023

web buy holiday reisebuch family on tour 40 inspirierende reiseerlebnisse für urlaubs und elternzeit by online on amazon ae at best prices fast and free shipping free returns

*holiday reisebuch family on tour 40 inspirierende 2023* - Oct 05 2022

web this holiday reisebuch family on tour 40 inspirierende as one of the most full of life sellers here will extremely be among the best options to review holiday reisebuch

**holiday reisebuch family on tour 40 inspirierende** - Mar 10 2023

web sep 9 2018 in einem neuen buch versammelt uta de monte 40 inspirierende reiseerlebnisse von familien von grönland bis südafrika vom wilden westen bis down

**holiday reisebuch family on tour 40 inspirierende pdf** - Sep 04 2022

web holiday reisebuch family on tour 40 inspirierende pdf whispering the strategies of language an emotional journey through holiday reisebuch family on tour 40

*holiday reisebuch family on tour 40 inspirierende* - Aug 15 2023

web buy holiday reisebuch family on tour 40 inspirierende reiseerlebnisse für urlaubs und elternzeit by monte uta de isbn 9783834228512 from amazon s book store

**holiday reisebuch family on tour 40 inspirierende** - Dec 27 2021

web holiday reisebuch family on tour 40 inspirierende is available in our book collection an online access to it is set as public so you can get it instantly our books collection saves

**holiday reisebuch family on tour 40 inspirierende pdf** - Feb 26 2022

web haydi tatile türkisch für den urlaub buch mit eingelegter audio cd für die reise Çakır hasan krasa daniel isbn 9783198072431 kostenloser versand für alle

*amazon com au customer reviews holiday reisebuch family* - Dec 07 2022

web holiday reisebuch family on tour 40 inspirierende reiseerlebnisse für urlaubs und elternzeit amazon in

**haydi tatile türkisch für den urlaub buch mit eingelegter** - Jan 28 2022

web holiday reisebuch family on tour 40 inspirierende reiseerlebnisse für urlaubs und elternzeit von uta de monte taschenbuch bei medimops de bestellen gebraucht

*holiday reisebuch family on tour 40 inspirierende* - Apr 11 2023

web abebooks com holiday reisebuch family on tour 40 inspirierende reiseerlebnisse für urlaubs und elternzeit

9783834228512 by monte uta de and a great selection of

*buchvorstellung und gewinnspiel family on tour* - Jun 01 2022

web may 4 2023 by on line this online statement holiday reisebuch family on tour 40 inspirierende can be one of the options to accompany you in imitation of having

*holiday reisebuch family on tour 40 inspirierende pdf* - Aug 03 2022

web holiday reisebuch family on tour 40 inspirierende if you ally infatuation such a referred holiday reisebuch family on tour 40 inspirierende ebook that will come up with the

buchtipp family on tour ahoikinder - Feb 09 2023

web apr 23 2023 find many great new used options and get the best deals for holiday reisebuch family on tour 40 inspirierende r book condition good at the best

*holiday reisebuch family on tour 40 inspirierende pdf* - Jul 02 2022

web sep 16 2018 verlost werden 2 exemplare des im gräfe und unzer verlag erschienen buches family on tour im wert von je 19 90 in den lostopf kommen alle die uns als

**holiday reisebuch family on tour 40 inspirierende matias** - Nov 25 2021

holiday reisebuch family on tour 40 inspirierende - May 12 2023

web holiday reisebuch family on tour 40 inspirierende reiseerlebnisse für urlaubs und elternzeit on amazon com au free

shipping on eligible orders holiday

*holiday reisebuch family on tour 40 inspirierende* - Nov 06 2022

web family on tour 40 inspirierende most likely you have knowledge that people have look numerous period for their favorite books with this holiday reisebuch family on tour 40

**holiday reisebuch family on tour 40 inspirierende pdf pdf** - Mar 30 2022

web may 10 2023 holiday reisebuch family on tour 40 inspirierende 1 1 downloaded from uniport edu ng on may 10 2023 by guest holiday reisebuch family on tour 40

holiday reisebuch family on tour 40 inspirierende pdf - Apr 30 2022

web holiday reisebuch family on tour 40 inspirierende pdf upload mia p williamson 1 1 downloaded from ieducar jaciara mt gov br on march 18 2023 by mia p williamson