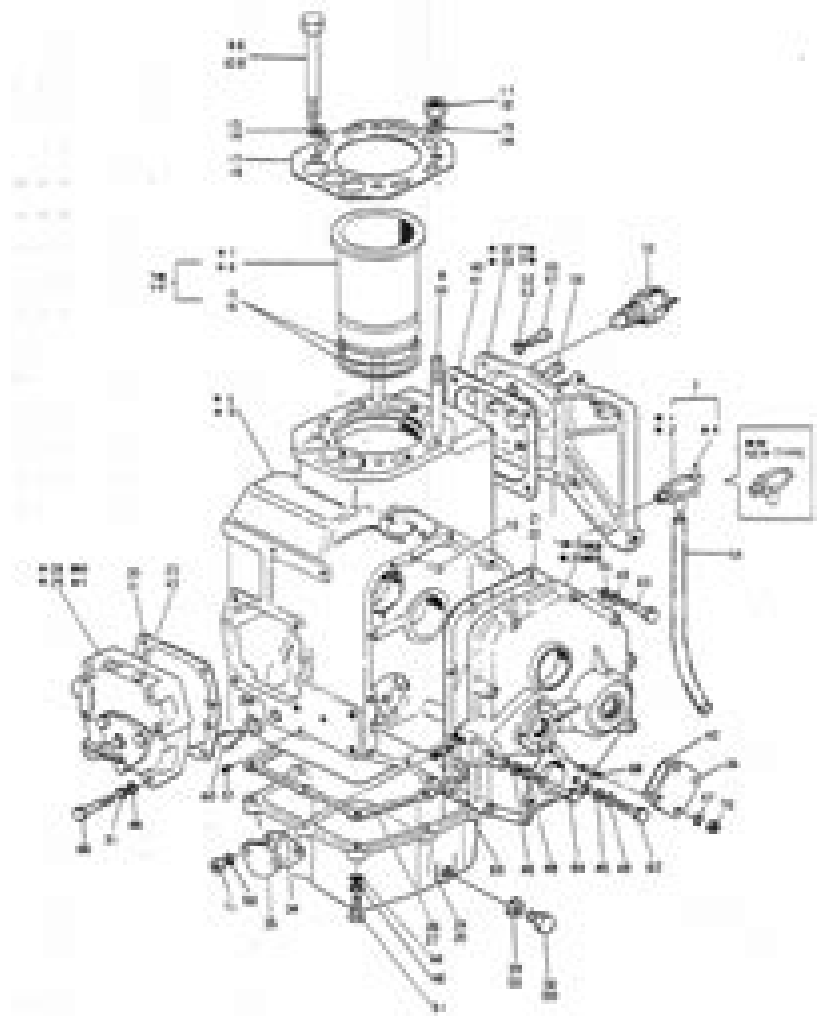


Page Thumbnails X

12
13
14
15
16

01-1 シリンダボディ CYLINDER BODY



Manual Yanmar Sb 12

Penton Staff



Manual Yanmar Sb 12:

Poor's Manual of Industrials ,1913 *Mergent International Manual* ,2001 Prairie Farmer ,1984 **Lloyd's Maritime Directory** ,1988 **Farmers and Consumers Market Bulletin** ,2003 Union Agriculturist and Western Prairie Farmer ,1982 **Hansa** ,1986 **Yanmar: I&t Shop Manual - Models Ym135, Ym135D, Ym155, Ym155D, Ym195, Ym195D, Ym240, Ym240D, Ym 330, Ym330D** Penton Staff,2000-05-24 Diesel Models YM135 YM135D YM155 YM155D YM195 YM195D YM240 YM240D YM330 YM330D

Manual Yanmar Sb 12 Book Review: Unveiling the Magic of Language

In an electronic era where connections and knowledge reign supreme, the enchanting power of language has become more apparent than ever. Its power to stir emotions, provoke thought, and instigate transformation is truly remarkable. This extraordinary book, aptly titled "**Manual Yanmar Sb 12**," published by a very acclaimed author, immerses readers in a captivating exploration of the significance of language and its profound effect on our existence. Throughout this critique, we will delve into the book's central themes, evaluate its unique writing style, and assess its overall influence on its readership.

<https://staging.conocer.cide.edu/data/uploaded-files/fetch.php/eureka%20405b%20bagless%20manual.pdf>

Table of Contents Manual Yanmar Sb 12

1. Understanding the eBook Manual Yanmar Sb 12
 - The Rise of Digital Reading Manual Yanmar Sb 12
 - Advantages of eBooks Over Traditional Books
2. Identifying Manual Yanmar Sb 12
 - Exploring Different Genres
 - Considering Fiction vs. Non-Fiction
 - Determining Your Reading Goals
3. Choosing the Right eBook Platform
 - Popular eBook Platforms
 - Features to Look for in an Manual Yanmar Sb 12
 - User-Friendly Interface
4. Exploring eBook Recommendations from Manual Yanmar Sb 12
 - Personalized Recommendations
 - Manual Yanmar Sb 12 User Reviews and Ratings
 - Manual Yanmar Sb 12 and Bestseller Lists
5. Accessing Manual Yanmar Sb 12 Free and Paid eBooks

- Manual Yanmar Sb 12 Public Domain eBooks
 - Manual Yanmar Sb 12 eBook Subscription Services
 - Manual Yanmar Sb 12 Budget-Friendly Options
6. Navigating Manual Yanmar Sb 12 eBook Formats
 - ePub, PDF, MOBI, and More
 - Manual Yanmar Sb 12 Compatibility with Devices
 - Manual Yanmar Sb 12 Enhanced eBook Features
 7. Enhancing Your Reading Experience
 - Adjustable Fonts and Text Sizes of Manual Yanmar Sb 12
 - Highlighting and Note-Taking Manual Yanmar Sb 12
 - Interactive Elements Manual Yanmar Sb 12
 8. Staying Engaged with Manual Yanmar Sb 12
 - Joining Online Reading Communities
 - Participating in Virtual Book Clubs
 - Following Authors and Publishers Manual Yanmar Sb 12
 9. Balancing eBooks and Physical Books Manual Yanmar Sb 12
 - Benefits of a Digital Library
 - Creating a Diverse Reading Collection Manual Yanmar Sb 12
 10. Overcoming Reading Challenges
 - Dealing with Digital Eye Strain
 - Minimizing Distractions
 - Managing Screen Time
 11. Cultivating a Reading Routine Manual Yanmar Sb 12
 - Setting Reading Goals Manual Yanmar Sb 12
 - Carving Out Dedicated Reading Time
 12. Sourcing Reliable Information of Manual Yanmar Sb 12
 - Fact-Checking eBook Content of Manual Yanmar Sb 12
 - Distinguishing Credible Sources
 13. Promoting Lifelong Learning
 - Utilizing eBooks for Skill Development

- Exploring Educational eBooks
14. Embracing eBook Trends
- Integration of Multimedia Elements
 - Interactive and Gamified eBooks

Manual Yanmar Sb 12 Introduction

Free PDF Books and Manuals for Download: Unlocking Knowledge at Your Fingertips In today's fast-paced digital age, obtaining valuable knowledge has become easier than ever. Thanks to the internet, a vast array of books and manuals are now available for free download in PDF format. Whether you are a student, professional, or simply an avid reader, this treasure trove of downloadable resources offers a wealth of information, conveniently accessible anytime, anywhere. The advent of online libraries and platforms dedicated to sharing knowledge has revolutionized the way we consume information. No longer confined to physical libraries or bookstores, readers can now access an extensive collection of digital books and manuals with just a few clicks. These resources, available in PDF, Microsoft Word, and PowerPoint formats, cater to a wide range of interests, including literature, technology, science, history, and much more. One notable platform where you can explore and download free Manual Yanmar Sb 12 PDF books and manuals is the internet's largest free library. Hosted online, this catalog compiles a vast assortment of documents, making it a veritable goldmine of knowledge. With its easy-to-use website interface and customizable PDF generator, this platform offers a user-friendly experience, allowing individuals to effortlessly navigate and access the information they seek. The availability of free PDF books and manuals on this platform demonstrates its commitment to democratizing education and empowering individuals with the tools needed to succeed in their chosen fields. It allows anyone, regardless of their background or financial limitations, to expand their horizons and gain insights from experts in various disciplines. One of the most significant advantages of downloading PDF books and manuals lies in their portability. Unlike physical copies, digital books can be stored and carried on a single device, such as a tablet or smartphone, saving valuable space and weight. This convenience makes it possible for readers to have their entire library at their fingertips, whether they are commuting, traveling, or simply enjoying a lazy afternoon at home. Additionally, digital files are easily searchable, enabling readers to locate specific information within seconds. With a few keystrokes, users can search for keywords, topics, or phrases, making research and finding relevant information a breeze. This efficiency saves time and effort, streamlining the learning process and allowing individuals to focus on extracting the information they need. Furthermore, the availability of free PDF books and manuals fosters a culture of continuous learning. By removing financial barriers, more people can access educational resources and pursue lifelong learning, contributing to personal growth and professional development. This democratization of knowledge promotes intellectual curiosity and empowers

individuals to become lifelong learners, promoting progress and innovation in various fields. It is worth noting that while accessing free Manual Yanmar Sb 12 PDF books and manuals is convenient and cost-effective, it is vital to respect copyright laws and intellectual property rights. Platforms offering free downloads often operate within legal boundaries, ensuring that the materials they provide are either in the public domain or authorized for distribution. By adhering to copyright laws, users can enjoy the benefits of free access to knowledge while supporting the authors and publishers who make these resources available. In conclusion, the availability of Manual Yanmar Sb 12 free PDF books and manuals for download has revolutionized the way we access and consume knowledge. With just a few clicks, individuals can explore a vast collection of resources across different disciplines, all free of charge. This accessibility empowers individuals to become lifelong learners, contributing to personal growth, professional development, and the advancement of society as a whole. So why not unlock a world of knowledge today? Start exploring the vast sea of free PDF books and manuals waiting to be discovered right at your fingertips.

FAQs About Manual Yanmar Sb 12 Books

1. Where can I buy Manual Yanmar Sb 12 books? Bookstores: Physical bookstores like Barnes & Noble, Waterstones, and independent local stores. Online Retailers: Amazon, Book Depository, and various online bookstores offer a wide range of books in physical and digital formats.
2. What are the different book formats available? Hardcover: Sturdy and durable, usually more expensive. Paperback: Cheaper, lighter, and more portable than hardcovers. E-books: Digital books available for e-readers like Kindle or software like Apple Books, Kindle, and Google Play Books.
3. How do I choose a Manual Yanmar Sb 12 book to read? Genres: Consider the genre you enjoy (fiction, non-fiction, mystery, sci-fi, etc.). Recommendations: Ask friends, join book clubs, or explore online reviews and recommendations. Author: If you like a particular author, you might enjoy more of their work.
4. How do I take care of Manual Yanmar Sb 12 books? Storage: Keep them away from direct sunlight and in a dry environment. Handling: Avoid folding pages, use bookmarks, and handle them with clean hands. Cleaning: Gently dust the covers and pages occasionally.
5. Can I borrow books without buying them? Public Libraries: Local libraries offer a wide range of books for borrowing. Book Swaps: Community book exchanges or online platforms where people exchange books.
6. How can I track my reading progress or manage my book collection? Book Tracking Apps: Goodreads, LibraryThing,

and Book Catalogue are popular apps for tracking your reading progress and managing book collections. Spreadsheets: You can create your own spreadsheet to track books read, ratings, and other details.

7. What are Manual Yanmar Sb 12 audiobooks, and where can I find them? Audiobooks: Audio recordings of books, perfect for listening while commuting or multitasking. Platforms: Audible, LibriVox, and Google Play Books offer a wide selection of audiobooks.
8. How do I support authors or the book industry? Buy Books: Purchase books from authors or independent bookstores. Reviews: Leave reviews on platforms like Goodreads or Amazon. Promotion: Share your favorite books on social media or recommend them to friends.
9. Are there book clubs or reading communities I can join? Local Clubs: Check for local book clubs in libraries or community centers. Online Communities: Platforms like Goodreads have virtual book clubs and discussion groups.
10. Can I read Manual Yanmar Sb 12 books for free? Public Domain Books: Many classic books are available for free as they're in the public domain. Free E-books: Some websites offer free e-books legally, like Project Gutenberg or Open Library.

Find Manual Yanmar Sb 12 :

eureka 405b bagless manual

[eurocode design guide 8](#)

[everfi financial algebra module 3 answers](#)

~~evel incarnate the life and legend of evel knievel~~

everyday use by alice walker audio

[everflo q opi manual](#)

~~euro pro 380a quick manual user guide~~

[evernote 15 killer ways evernote can improve your work business life](#)

[ever fi module 1 answers](#)

~~europe geography study guide~~

[evaluating the industrial revolution answers 3 5](#)

~~evidence based writing grade k applying the standards~~

europa sont propriétaire lert alexandre

~~everybody writes your goto guide to creating ridiculously good content~~

evidence of evolution answer sheet teacher web

Manual Yanmar Sb 12 :

1000 facts about actors vol 1 english edition by james egan - Nov 24 2021

1000stars tv mini series 2021 imdb - Feb 25 2022

web feb 24 2023 1000 facts about actors vol 1 english edition 2 4 downloaded from uniport edu ng on february 24 2023 by guest mice and men to kill a mockingbird and

1000 facts about actors vol 1 by james egan - Jan 07 2023

web 1000 facts about actors vol 1 ebook egan james amazon in kindle store skip to main content in delivering to mumbai 400001 sign in to update your location kindle

1000 facts about actors vol 1 kindle edition amazon com au - Mar 09 2023

web 1000 facts about actors vol 1 ebook egan james amazon ca kindle store skip to main content ca hello select your address kindle store select the department you want

1000 facts about actors vol 1 by egan james amazon ae - Dec 06 2022

web 1000 facts about actors vol 2 ebook egan james amazon co uk kindle store skip to main content co uk hello select your address kindle store hello sign in account

1000 facts about actors vol 1 english edition by james egan - Mar 29 2022

web 1000 facts about actors vol 1 english edition by james egan ronald wilson reagan r n l d w l s n r e n february 6 1911 june 5 2004 was an american actor and

1000 facts about actors vol 2 kindle edition - Dec 26 2021

1000 facts about actors vol 1 english edition by james egan - May 11 2023

web sep 19 2016 anthony hopkins has dreadful dyslexia and has to read scripts up to 250 times out loud ben affleck realized he was famous when someone threw a can at him

1000 facts about actors vol 1 kindle edition amazon com - Jul 13 2023

web jul 13 2023 1000 facts about actors vol 1 english edition 1 4 downloaded from uniport edu ng on july 13 2023 by guest 1000 facts about actors vol 1 english

1000 facts about actors vol 2 kindle edition amazon co uk - Oct 04 2022

web 1000 facts about actors vol 1 english edition by james egan may 29th 2020 history on the net research all of history from

ancient mesopotamia to the cold war history on the

1000 facts about actors vol 1 english edition by james egan - Aug 02 2022

web mar 20 2023 1000 facts about actors vol 1 english edition 1 4 downloaded from uniport edu ng on march 20 2023 by guest 1000 facts about actors vol 1 english

1000 facts about actors vol 1 english edition copy uniport edu - Apr 29 2022

web 1000 facts about actors vol 1 english edition by james egan superhero movies each of which might vary in terms of plot but remain brutally consistent in their delivery of death

1000 facts about actors vol 1 english edition pdf uniport edu - Jun 12 2023

web 1000 facts about actors vol 1 english edition by james egan referred to as guardians of the galaxy vol 1 is a 2014 american superhero film based on the marvel ics superhero

1000 facts about actors vol 1 english edition uniport edu - Sep 22 2021

1000 facts about actors vol 1 kindle edition amazon ca - Feb 08 2023

web buy 1000 facts about actors vol 1 by egan james online on amazon ae at best prices fast and free shipping free returns cash on delivery available on eligible purchase

1000 facts about actors vol 1 james egan google books - Apr 10 2023

web 1000 facts about actors vol 1 ebook egan james amazon com au books skip to main content com au delivering to sydney 1171 sign in to update kindle store select

1000 facts about actors vol 1 english edition by james egan - Oct 24 2021

1000 facts about actors vol 1 kindle edition amazon in - Nov 05 2022

web jun 29 2023 1 1000 facts about actors vol 1 english edition pdf right here we have countless ebook 1000 facts about actors vol 1 english edition pdf and collections to

1000 facts about actors vol 3 kindle edition - May 31 2022

web singer songwriters from louisiana 159t independent spirit award for best supporting male winners 32t method actors 78t robert pattinson actor model and musician

1000 facts about actors vol 1 kindle edition amazon co uk - Aug 14 2023

web 1000 facts about actors vol 1 kindle edition james egan author 3 9 out of 5 stars book 1 of 4 1000 facts about actors see all formats and editions 0 00 this title and

list of top 1000 actors and actresses famousfix list - Jan 27 2022

1000 facts about actors vol 1 english edition pdf pdf - Sep 03 2022

web mar 28 2023 1000 facts about actors vol 1 english edition eventually you will totally discover a further experience and completion by spending more cash still when reach

1000 facts about actors vol 1 english edition uniport edu - Jul 01 2022

web 1000 facts about actors vol 1 english edition by james egan raptor red follows the life of a utah raptor after the death of her mate she reunites with her sister and her sister s

hendershot fuel less generator - Jun 13 2023

web on february 28 1928 a man called lester hendershot made front page headlines across the nation with his invention of a fuel less motor hendershot managed to develop power with his device by cutting the earth s magnetic field

[the hendershot generator do it yourself kit lester hendershot](#) - Apr 11 2023

web lester hendershot on february 28 1928 a man named lester j hendershot made front page headlines across the nation with his invention of his fuel less motor hendershot managed to develop power with his device by cutting the earth s magnetic field like a normal generator cuts its own magnetic field

the hendershot generator free energy pdf inductor scribd - Mar 10 2023

web the hendershot generator a man by the name of lester hendershot claimed to have produced useable electric power from this device in the range of 200 to 300 watts in circa 1930 for a time his son mark m hendershot was working on trying to duplicate his father but i think he has

[lester hendershot s magnetic field motor fuel efficient vehicles](#) - Aug 03 2022

web updated 07 30 2014 in the late 1920s lester j hendershot built his hendershot generator largely through simple trial and error he wove together a number of flat coils of wire and placed stainless steel rings and sticks of carbon and experimented with permanent magnets in various positions

lester hendershot invented the fuel less generator senior forums - Dec 27 2021

web jan 26 2014 lester hendershot invented the fuel less generator rainee jan 26 2014 1 2 next rainee member messages 706 location central coast new south wales australia jan 26 2014 1 hendershotgenerator com files pdf hendershot book pdf do you think its

[lester hendershot pdf electric generator inductor scribd](#) - Oct 05 2022

web download now of 4 8 8 13 lester hendershot alternative energy institute inc search this is the story of another inventor who died before his ideas were completely understood or accepted by scientists and society

[hendershot fuelless generator guide blueprints free energy](#) - Sep 04 2022

web jan 24 2015 reference library

rediscover lester henderson s free energy generator blueprints - Feb 09 2023

web rediscover lester henderson s free energy generator blueprints free energy is real henderson s step by step guide to building a generator fuelless motor no starting pulse voltage needed

lester henderson s free energy generator explains magnet in - Jul 02 2022

web searl effect generator 327 subscribers subscribe 4 3k views 10 months ago lester henderson s free energy generator explains magnet in fuelless motor build fuelless motor by

the henderson generator do it yourself kit lester h - Nov 06 2022

web lester henderson generator do it yourself kit basket weave coil charles lindbergh s dirty little secret henderson generator blueprints letter from mark henderson henderson generator video the new york times article henderson generator pdf the fuel less generator how to build an electric generator fuelless coil study

the henderson generator home - Feb 26 2022

web lester henderson s and his generator the henderson generator is a fuel less generator that can be build using some cheap components lester henderson accidentally made the henderson generator when he was working in his backyard

lester henderson generator blueprints cyberlab sutd edu sg - Jan 08 2023

web lester henderson generator blueprints tesla s fuelless generator and wireless method jul 30 2023 laboratory biorisk management jul 26 2020 domestic energy generation portfolio utilizing u s manu facturing and a u s workforce the roadmap is intended to be the beginning of an evolving

henderson generator failed first attempt youtube - Jan 28 2022

web nov 4 2014 here i am showing my failed attempt at a henderson type generator lester henderson 1899 1960 was the inventor of the henderson fuelless generator 1928

lester henderson svenson s - Apr 30 2022

web for more than 30 years lester henderson worked on an over unity device that was thought to be tapping into a magnetic force field interestingly henderson seemed to be the only person capable of activating it but was unable to provide a satisfactory scientific explanation for why his creation worked nevertheless the fuel less generator

free energy generators lester henderson rex research - Dec 07 2022

web the henderson fuelless motor is not a motor at all but a generator according to major thomas g lanphier commandant at selfridge field mich where he with lester j henderson the inventor and d barr peat have been

lester j henderson generator motor rex research - May 12 2023

web lester j henderson generator motor my name is mark henderson lester j henderson was my father lester was an inventor and in his many attempts at producing practical items he had a moderate success a few times with electronic toys

and had sold some of his ideas to small manufacturers

hendershaw generator youtube - Aug 15 2023

web sep 18 2013 complete guide to building a hendershaw generator backed up by a step by step video schematics

blueprints plus a complete e book guide see more bit ly 2lrdagb lester hendershaw

the hendershaw generator hendershaw generator circuit - Jun 01 2022

web the first mention of this device refers to the range of 1927 1930 according to the available records hendershaw received

a usable device with a power of 200 300 watts then for a short time lester is honored by the american press as a national

hero but soon praise in his direction is replaced by accusations of charlatanry and fraud

[fans of the hendershaw generator los angeles ca facebook](#) - Mar 30 2022

web sep 27 2013 february 18 1928 in the late 1920s lester j hendershaw manufactured his hendershaw generator generally

through straightforward experimentation he wove together various level loops of wire all reactions

the hendershaw generator blueprints blogger - Jul 14 2023

web sep 26 2013 on february 28 1928 lester hendershaw made front page headlines across the country with his innovation of

a fuel less generator hendershaw devised a workable plan to improve power with his gadget by cutting the earth s magnetic

field as our typical generator cuts its own magnetic field

download fun for flyers teacher s book pdf sciarium - Sep 13 2022

web jan 14 2018 fun for flyers progress tests pdf category flyers fun for flyers 4th edition cambridge university press 2017

this fourth edition updated for the 2018 revised exams provides bright full color and interactive preparation for the

cambridge english young learners yle tests

[for flyers cambridge university press assessment](#) - Apr 20 2023

web this shows where to find each section of the teacher s book introduction this will help you use fun for flyers third edition

it includes a quick guide to how units in the teacher s books are organised page 6 suggestions for games and activities page

6 suggestions for how to use pictures in the student s book page 7

fun for flyers teacher s book with audio cambridge english - Nov 15 2022

web this teacher s book contains photocopiable resources a full practice test new integrated extension projects and clear

guidance on which areas of the syllabus are covered listening material to accompany the student s book is available online

for download or as a

cambridge university press 0521613671 fun for flyers teacher s book - Jun 22 2023

web fun for starters is the first book and fun for movers is the second this introduction will give you useful information about

fun for flyers the cambridge esol flyers test and about teaching learners of this age group

fun for flyers teachers book 4th edition pdf pdf scribd - Aug 24 2023

web fun for flyers teachers book 4th edition pdf free ebook download as pdf file pdf or read book online for free

download fun for flyers teacher s book pdf sciarium - Jan 05 2022

web jun 8 2018 this third edition provides bright full colour and interactive preparation for the cambridge english young learners tests fun activities balanced with exam style questions practice all the areas of the syllabus in a communicative way

fun for flyers teacher s book fahasa com - Apr 08 2022

web the fun for flyers teacher s book includes creative teaching tips photocopiable activities and a full photocopiable practice test the audio cds available separately include listening material to accompany the student s book

pdf fun for flyers student s book 4th ed academia edu - Aug 12 2022

web draw lines 1 how do you get to school in the a i think it s blue but i like black too morning b i like jeans and t shirts best 2 do you play video games in your c our favourite place is the classroom sometimes playground 3 what do you and your friends like d we can t do that in the lessons chatting about e our newest apps and the

fun for flyers teacher s book with downloadable audio - Feb 18 2023

web fun for flyers teacher s book with downloadable audio robinson anne saxby karen amazon com tr kitap

fun for flyers teacher s book 4th ed pdf pdf scribd - May 21 2023

web fun for flyers teacher s book 4th ed pdf free ebook download as pdf file pdf or read book online for free
read download fun for flyers teachers book pdf pdf - Mar 07 2022

web feb 13 2003 the fun for flyers teacher s book includes creative teaching tips photocopiable activities and a full photocopiable practice test the audio cds available separately include listening material to accompany the student s book the website to accompany the series includes interactive versions of some activities from the student s

pdf fun for flyers teachers book book full download - Jun 10 2022

web book synopsis fun for flyers teacher s book by anne robinson download or read book fun for flyers teacher s book written by anne robinson and published by cambridge university press this book was released on 2010 04 08 with total page 178 pages available in pdf epub and kindle

fun flyers teachers book abebooks - Oct 14 2022

web condition como nuevo third edition of the full colour cambridge english young learners yle preparation activities for all three levels of the test starters movers flyers fun for flyers provides full colour preparation material for

fun for flyers teacher s book 4th ed 1 pdf slideshare - Jul 11 2022

web jun 18 2022 fun for flyers teacher s book 4th ed 1 pdf download as a pdf or view online for free

fun for flyers student s book with audio sciarium - Feb 06 2022

web jul 12 2017 a home fun booklet allows students to practice vocabulary at home and helps parents support learning key features each unit includes brightly coloured attractive material which is motivating fun and easy to use grammar and vocabulary activities get students practicing in their time in the online lms via an access code in the student s book
fun for flyers student s book teacher s book alleng org - Dec 16 2022

web fun for flyers student s book provides full colour preparation for cambridge english flyers fun activities balanced with exam style questions practise all the areas of the syllabus in a communicative way and support young learners in
cambridge university press assessment - Jul 23 2023

web fun for starters movers and flyers fourth edition of the full colour cambridge english young learners yle preparation activities for all three levels of the test starters movers flyers updated to reflect the new revised specifications which will be out in january 2018 anne robinson karen saxby

cambridge university press assessment cambridge - Mar 19 2023

web fun for starters movers and flyers fourth edition of the full colour cambridge english young learners yle preparation activities for all three levels of the test starters movers flyers updated to reflect the new revised specifications which will be out in january 2018 anne robinson karen saxby

download fun for flyers on line resources pdf sciarium - May 09 2022

web dec 4 2017 fun for flyers fun for flyers on line resources pdf file size 17 03 mb added by josefina 12 04 2017 00 19 info modified 09 27 2019 20 54 cambridge university press and ucles 2017 241 p these are vocabulary and grammar activities for work in classroom and or at home based on topics from the cambridge english flyers

fun for flyers teacher s book by anne robinson goodreads - Jan 17 2023

web may 25 2006 fun for flyers teacher s book anne robinson karen saxby 4 08 13 ratings1 review fun for flyers provides full colour preparation material for the cambridge young learners english test flyers fun activities balanced with exam style questions practise all the areas of the syllabus in a communicative way