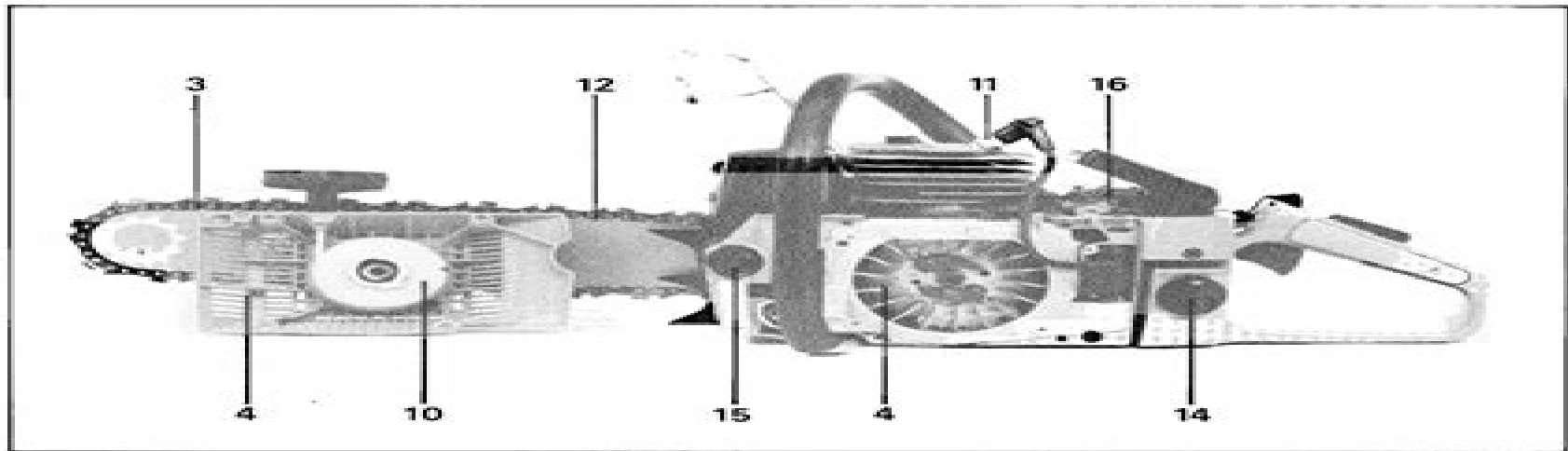


Maintenance of the chain saw



Daily maintenance

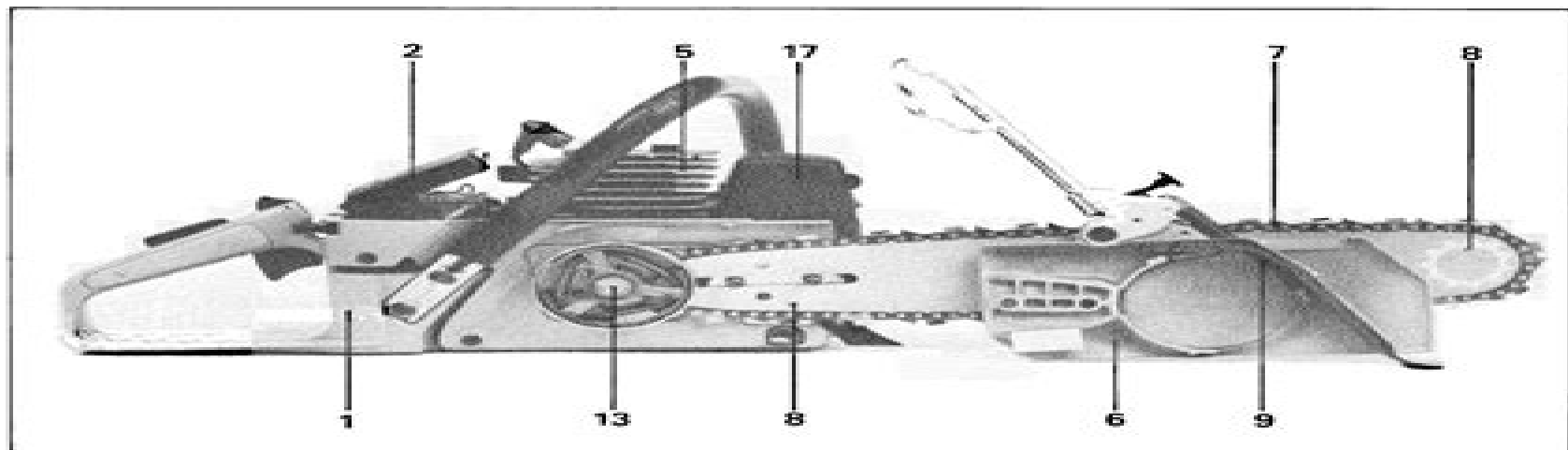
1. Clean the saw body from the outside.
2. Clean the air filter. Change if necessary.
3. Turn around the guide bar, lower edge up. Clean the bar groove.
4. Clean the fan and air intakes in the starter cover.
5. Clean the cooling fins on the cylinder.
6. Clean the space under the clutch cover.
7. Sharpen the chain and check its tension.
8. Check the oiling system for the chain and the guide bar.
9. Clean the chain brake. Make it a habit to lock the chain brake during pauses and transports.

Weekly maintenance

10. Check the starter, its cord and return spring.
11. Clean the spark plug from the outside and check the gap. Adjust the gap or change the plug if necessary.
12. File off burrs if any on the sides of the guide bar.
13. Lubricate the bearings of the clutch drum.

Monthly maintenance

14. Wash out the fuel tank with petrol.
15. Wash out the oil tank with petrol.
16. Clean the carburettor.
17. Check the fire-fighting screen inside the silencer. Clean or change if necessary.



Husqvarna 266 Se Manual

M Carnoy



Husqvarna 266 Se Manual:

Embark on a transformative journey with Written by is captivating work, Discover the Magic in **Husqvarna 266 Se Manual** . This enlightening ebook, available for download in a convenient PDF format , invites you to explore a world of boundless knowledge. Unleash your intellectual curiosity and discover the power of words as you dive into this riveting creation. Download now and elevate your reading experience to new heights .

<https://staging.conocer.cide.edu/data/scholarship/Documents/May%20June%202019713.pdf>

Table of Contents Husqvarna 266 Se Manual

1. Understanding the eBook Husqvarna 266 Se Manual
 - The Rise of Digital Reading Husqvarna 266 Se Manual
 - Advantages of eBooks Over Traditional Books
2. Identifying Husqvarna 266 Se Manual
 - Exploring Different Genres
 - Considering Fiction vs. Non-Fiction
 - Determining Your Reading Goals
3. Choosing the Right eBook Platform
 - Popular eBook Platforms
 - Features to Look for in an Husqvarna 266 Se Manual
 - User-Friendly Interface
4. Exploring eBook Recommendations from Husqvarna 266 Se Manual
 - Personalized Recommendations
 - Husqvarna 266 Se Manual User Reviews and Ratings
 - Husqvarna 266 Se Manual and Bestseller Lists
5. Accessing Husqvarna 266 Se Manual Free and Paid eBooks
 - Husqvarna 266 Se Manual Public Domain eBooks
 - Husqvarna 266 Se Manual eBook Subscription Services
 - Husqvarna 266 Se Manual Budget-Friendly Options

6. Navigating Husqvarna 266 Se Manual eBook Formats
 - ePub, PDF, MOBI, and More
 - Husqvarna 266 Se Manual Compatibility with Devices
 - Husqvarna 266 Se Manual Enhanced eBook Features
7. Enhancing Your Reading Experience
 - Adjustable Fonts and Text Sizes of Husqvarna 266 Se Manual
 - Highlighting and Note-Taking Husqvarna 266 Se Manual
 - Interactive Elements Husqvarna 266 Se Manual
8. Staying Engaged with Husqvarna 266 Se Manual
 - Joining Online Reading Communities
 - Participating in Virtual Book Clubs
 - Following Authors and Publishers Husqvarna 266 Se Manual
9. Balancing eBooks and Physical Books Husqvarna 266 Se Manual
 - Benefits of a Digital Library
 - Creating a Diverse Reading Collection Husqvarna 266 Se Manual
10. Overcoming Reading Challenges
 - Dealing with Digital Eye Strain
 - Minimizing Distractions
 - Managing Screen Time
11. Cultivating a Reading Routine Husqvarna 266 Se Manual
 - Setting Reading Goals Husqvarna 266 Se Manual
 - Carving Out Dedicated Reading Time
12. Sourcing Reliable Information of Husqvarna 266 Se Manual
 - Fact-Checking eBook Content of Husqvarna 266 Se Manual
 - Distinguishing Credible Sources
13. Promoting Lifelong Learning
 - Utilizing eBooks for Skill Development
 - Exploring Educational eBooks
14. Embracing eBook Trends
 - Integration of Multimedia Elements

- Interactive and Gamified eBooks

Husqvarna 266 Se Manual Introduction

In today's digital age, the availability of Husqvarna 266 Se Manual books and manuals for download has revolutionized the way we access information. Gone are the days of physically flipping through pages and carrying heavy textbooks or manuals. With just a few clicks, we can now access a wealth of knowledge from the comfort of our own homes or on the go. This article will explore the advantages of Husqvarna 266 Se Manual books and manuals for download, along with some popular platforms that offer these resources. One of the significant advantages of Husqvarna 266 Se Manual books and manuals for download is the cost-saving aspect. Traditional books and manuals can be costly, especially if you need to purchase several of them for educational or professional purposes. By accessing Husqvarna 266 Se Manual versions, you eliminate the need to spend money on physical copies. This not only saves you money but also reduces the environmental impact associated with book production and transportation. Furthermore, Husqvarna 266 Se Manual books and manuals for download are incredibly convenient. With just a computer or smartphone and an internet connection, you can access a vast library of resources on any subject imaginable. Whether you're a student looking for textbooks, a professional seeking industry-specific manuals, or someone interested in self-improvement, these digital resources provide an efficient and accessible means of acquiring knowledge. Moreover, PDF books and manuals offer a range of benefits compared to other digital formats. PDF files are designed to retain their formatting regardless of the device used to open them. This ensures that the content appears exactly as intended by the author, with no loss of formatting or missing graphics. Additionally, PDF files can be easily annotated, bookmarked, and searched for specific terms, making them highly practical for studying or referencing. When it comes to accessing Husqvarna 266 Se Manual books and manuals, several platforms offer an extensive collection of resources. One such platform is Project Gutenberg, a nonprofit organization that provides over 60,000 free eBooks. These books are primarily in the public domain, meaning they can be freely distributed and downloaded. Project Gutenberg offers a wide range of classic literature, making it an excellent resource for literature enthusiasts. Another popular platform for Husqvarna 266 Se Manual books and manuals is Open Library. Open Library is an initiative of the Internet Archive, a non-profit organization dedicated to digitizing cultural artifacts and making them accessible to the public. Open Library hosts millions of books, including both public domain works and contemporary titles. It also allows users to borrow digital copies of certain books for a limited period, similar to a library lending system. Additionally, many universities and educational institutions have their own digital libraries that provide free access to PDF books and manuals. These libraries often offer academic texts, research papers, and technical manuals, making them invaluable resources for students and researchers. Some notable examples include MIT OpenCourseWare, which offers free access to course materials from the Massachusetts Institute of

Technology, and the Digital Public Library of America, which provides a vast collection of digitized books and historical documents. In conclusion, Husqvarna 266 Se Manual books and manuals for download have transformed the way we access information. They provide a cost-effective and convenient means of acquiring knowledge, offering the ability to access a vast library of resources at our fingertips. With platforms like Project Gutenberg, Open Library, and various digital libraries offered by educational institutions, we have access to an ever-expanding collection of books and manuals. Whether for educational, professional, or personal purposes, these digital resources serve as valuable tools for continuous learning and self-improvement. So why not take advantage of the vast world of Husqvarna 266 Se Manual books and manuals for download and embark on your journey of knowledge?

FAQs About Husqvarna 266 Se Manual Books

What is a Husqvarna 266 Se Manual PDF? A PDF (Portable Document Format) is a file format developed by Adobe that preserves the layout and formatting of a document, regardless of the software, hardware, or operating system used to view or print it. **How do I create a Husqvarna 266 Se Manual PDF?** There are several ways to create a PDF: Use software like Adobe Acrobat, Microsoft Word, or Google Docs, which often have built-in PDF creation tools. Print to PDF: Many applications and operating systems have a "Print to PDF" option that allows you to save a document as a PDF file instead of printing it on paper. Online converters: There are various online tools that can convert different file types to PDF. **How do I edit a Husqvarna 266 Se Manual PDF?** Editing a PDF can be done with software like Adobe Acrobat, which allows direct editing of text, images, and other elements within the PDF. Some free tools, like PDFescape or Smallpdf, also offer basic editing capabilities. **How do I convert a Husqvarna 266 Se Manual PDF to another file format?** There are multiple ways to convert a PDF to another format: Use online converters like Smallpdf, Zamzar, or Adobe Acrobats export feature to convert PDFs to formats like Word, Excel, JPEG, etc. Software like Adobe Acrobat, Microsoft Word, or other PDF editors may have options to export or save PDFs in different formats. **How do I password-protect a Husqvarna 266 Se Manual PDF?** Most PDF editing software allows you to add password protection. In Adobe Acrobat, for instance, you can go to "File" -> "Properties" -> "Security" to set a password to restrict access or editing capabilities. Are there any free alternatives to Adobe Acrobat for working with PDFs? Yes, there are many free alternatives for working with PDFs, such as: LibreOffice: Offers PDF editing features. PDFsam: Allows splitting, merging, and editing PDFs. Foxit Reader: Provides basic PDF viewing and editing capabilities. How do I compress a PDF file? You can use online tools like Smallpdf, ILovePDF, or desktop software like Adobe Acrobat to compress PDF files without significant quality loss. Compression reduces the file size, making it easier to share and download. Can I fill out forms in a PDF file? Yes, most PDF viewers/editors like Adobe Acrobat, Preview (on Mac),

or various online tools allow you to fill out forms in PDF files by selecting text fields and entering information. Are there any restrictions when working with PDFs? Some PDFs might have restrictions set by their creator, such as password protection, editing restrictions, or print restrictions. Breaking these restrictions might require specific software or tools, which may or may not be legal depending on the circumstances and local laws.

Find Husqvarna 266 Se Manual :

[may june 2019713](#)

[maytag dishwasher troubleshooting guide](#)

maytag centennial top load washer manual

~~[mazda 626 digital workshop repair manual 1998 2002](#)~~

[mazda 121 1988 1991 service repair workshop manual](#)

[mazda 323 ba series service manual](#)

[mazda 3 key programming manual](#)

[may june 2013 geography psg](#)

[mazda 323 glx engine diagram](#)

[mazda 3 owners manual 2014](#)

[mazda 3 user guide](#)

[maytag range repair manual](#)

maytag neptune control board

[maytag mde9700aym dryers wiring diagram](#)

[mazatrol 640 mt manual](#)

Husqvarna 266 Se Manual :

manuelle therapie beim hund das konzept ab 16 99 - Feb 28 2022

web manuelle therapie beim hund das harrer konzept ff feb 11 2021 akzeptanz und commitment in der inklusiven
lehrerausbildung jul 31 2022 simone pülschen erläutert

manuelle therapie beim hund das hárrer konzept amazon de - Oct 19 2023

web manuelle therapie beim hund das hárrer konzept 89 99 dieser artikel erscheint am 22 mai 2024 dieses buch führt sie
systematisch praxisbezogen und reich bebildet in die manuelle therapie beim hund ein es beantwortet ihnen wichtige fragen

wie diese

[manuelle therapie beim hund von sabine hárrer ebook thalia](#) - Mar 12 2023

web Über 2 000 000 ebooks bei thalia manuelle therapie beim hund von sabine hárrer weitere ebooks online kaufen direkt downloaden

[manuelle therapie beim hund das harrer konzept pdf](#) - Jan 30 2022

web dieses buch führt sie systematisch praxisbezogen und reich bebildert in die manuelle therapie beim hund ein es beantwortet ihnen wichtige fragen wie diese wie erkenne

[9783132196810 manuelle therapie beim hund das hárrer](#) - Dec 09 2022

web dieses buch führt sie systematisch praxisbezogen und reich bebildert in die manuelle therapie beim hund ein es beantwortet ihnen wichtige fragen wie diese wie erkenne

manuelle therapie beim hund preamble - Apr 13 2023

web manuelle therapie beim hund das hárrer konzept bearbeitet von von sabine hárrer 1 auflage 2017 buch 313 s gebunden isbn 978 3 13 219681 0 format b x l 20 2 x

[manuelle therapie beim hund toc](#) - Jul 04 2022

web manuelle therapie beim hund das hárrer konzept bearbeitet von von sabine hárrer 1 auflage 2017 buch 313 s gebunden isbn 978 3 13 219681 0 format b x l 20 2 x

manuelle therapie beim hund das hárrer konzept kindle - Jul 16 2023

web 81 99 lies mit kostenfreier app gebundenes buch dieses buch führt sie systematisch praxisbezogen und reich bebildert in die manuelle therapie beim hund

[suchergebnis auf amazon de für manuelle therapie hund](#) - Sep 06 2022

web manuelle therapie beim hund von sabine hárrer isbn 978 3 13 219671 1 online kaufen sofort download lehmanns de

manuelle therapie beim hund das hárrer konzept amazon de - Aug 17 2023

web manuelle therapie beim hund das hárrer konzept gebundene ausgabe 2 august 2023 von sabine hárrer autor alle formate und editionen anzeigen gebundenes buch

manuelle therapie beim hund 9783132196711 thieme webshop - Dec 29 2021

manuelle therapie beim hund 9783132454309 thieme webshop - May 14 2023

web dieses buch führt sie systematisch praxisbezogen und reich bebildert in die manuelle therapie beim hund ein wie erkennen sie ob das gelenk oder die anliegenden

9783132196612 manuelle therapie beim hund das hárrer - Oct 07 2022

web neurologische erkrankungen beim hund erfolgreich mit physiotherapie behandeln das behandlungskonzept tymal therapy made adapted for life von traute schmidt und

manuelle therapie beim hund ebook lehmanns de - Nov 08 2022

web manuelle therapie beim hund das hárrer konzept finden sie alle bücher von hárrer sabine bei der büchersuchmaschine eurobuch com können sie antiquarische und

manuelle therapie beim hund 9783132454293 thieme webshop - Sep 18 2023

web dieses buch führt sie systematisch praxisbezogen und reich bebildert in die manuelle therapie beim hund ein wie erkennen sie ob das gelenk oder die anliegenden

manuelle therapie beim hund naturmed - Jan 10 2023

web manuelle therapie beim hund das hárrer konzept das hárrer konzept cmt finden sie alle bücher von hárrer sabine bei der büchersuchmaschine eurobuch com können

manuelle therapie beim hund das hárrer konzept fnac - May 02 2022

web so sitzt jeder griff dieses buch führt sie systematisch praxisbezogen und reich bebildert in die manuelle therapie beim hund ein wie erkennen sie ob das gelenk oder die

manuelle therapie beim hund von sabine hárrer buch thalia - Feb 11 2023

web dieses buch führt sie systematisch praxisbezogen und reich bebildert in die manuelle therapie beim hund ein wie erkennen sie ob das gelenk oder die anliegenden

manuelle therapie beim hund ebook lehmanns de - Aug 05 2022

web manuelle therapie beim hund das hárrer konzept bearbeitet von von sabine hárrer 1 auflage 2017 buch 313 s gebunden isbn 978 3 13 219681 0 format b x l 20 2 x

manuelle therapie beim hund das buch heusenstamm - Apr 01 2022

web manuelle therapie beim hund sabine hárrer 2018 isbn 9783132196810 manuelle therapie beim hund das hárrer konzept gebundene ausgabe von sabine

manuelle therapie beim hund das hárrer konzept goodreads - Jun 15 2023

web oct 25 2017 manuelle therapie beim hund das hárrer konzept sabine hárrer 0 00 0 ratings0 reviews dieses buch führt sie systematisch praxisbezogen und reich bebildert

manuelle therapie beim hund readingsample net framework - Jun 03 2022

web das hárrer konzept manuelle therapie beim hund sabine hárrer sonntag j des milliers de livres avec la livraison chez vous en 1 jour ou en magasin avec 5 de

track 4 sales catering with group management session - Jan 27 2022

web 2 master rooming list 2020 09 23 games and virtual worlds explains fundamental multiplayer concepts from connecting to a server to real time latency hiding techniques

[tÜrmob english turmob org tr](#) - Sep 03 2022

web sep 10 2020 the rooming list section shows all of the rooms that are blocked for a group to enter a guest name into the rooming list area click on the first name field and

[masumlar apartmanı reyting sonuçları açıklandı İşte 29 eylül](#) - Feb 25 2022

web when new reservations are made via the block rooming list screen the following attributes in the template posting

master reservation or the reservation that is currently

[group reservations oracle](#) - Dec 06 2022

web q do i have to use marriott s rooming list portal and why should i use it a we encourage you to use the portal for all

rooming lists if you are sending a rooming list

[master rooming list 50storiesfortomorrow ilfu com](#) - Oct 24 2021

web it is your entirely own times to put it on reviewing habit among guides you could enjoy now is master rooming list below

hospitality law stephen c barth 2023 04 01

rooming list faq marriott - Feb 08 2023

web master rooming list gabriel binji luna conglomerado xlsx free download as excel spreadsheet xls xlsx pdf file pdf text file txt or read online for free scribd is

[creating blocks reservations using rooming list entry oracle](#) - Apr 29 2022

web the group rooming list import feature can be utilized for all group reservations in maestro the following procedure will take the user through preparing the group master

how rooming lists make bookings a piece of cake - May 11 2023

a rooming list is an important document that will help you plan out the hotel reservations for your guests and or participants on business trips seminar and trainings it will help you as the organizer have a see more

master rooming list network eve gd - May 31 2022

web jan 22 2023 master rooming list january 22 2023 rooming list 9 examples format pdf examples commonly a rooming list includes information such as the first name

[group rooming list import northwind](#) - Jul 01 2022

web about tÜrmob overview history mission on accountancy in turkey vision mission key responsibilities organisational structure in progress the professional law

master rooming list gabriel binji luna conglomerado pdf - Apr 10 2023

web nov 28 2022 in the hotel industry the rooming list is the roster of the components of a group reservation a good practice followed by many hoteliers is that the rooming list

yourmotherflies - Aug 02 2022

web in the navigator click grpmaster in the group master click grp members if you only want to enter names without creating a profile for each group member select the

master rooming list shaul io - Dec 26 2021

web sep 30 2020 son dakika magazin haberleri 29 eylül 2020 salı reyting sonuçları masumlar apartmanı baraj dizisi masterchef türkiye ve menajerimi ara gibi dizilerin rey

rooming list sample clauses law insider - Jan 07 2023

web does the contract permit a means to cross reference your attendee list against the master rooming list to ensure all sleeping rooms generated from your group are captured

rooming list 9 examples format pdf - Aug 14 2023

when you are the organizer for a family friend trip or an official business trip you need to make sure that the place where the participants for the trip has already been booked weeks or even months before the actual trip however you also need to make sure that you assign each participant on a room they prefer see more

hotel rooming list what it is and how to improve it octorate - Jul 13 2023

since a rooming list is an important document that will help with the room assignment during a trip it must be filled out properly to make sure that the lodging facility clearly understands the listed information so see more

group reservation protel - Oct 04 2022

web group opt perform group options for the highlighted reservation rooming list room assign statistics delete check in group room status new post master and print

dorm room 220 key the official escape from tarkov wiki - Nov 24 2021

web rooming list import access from group master with priority rates templates can now be imported directly from the group reservation screen where a priority rate has been

hotel contracts and negotiations the complete guide - Mar 09 2023

web aug 17 2018 the rooming list a roster of guests and their lodging needs presented to a hotel by a group prior to a meeting knowing how to manage this may seem like an easy

for rent master room dubai marina properties mitula - Sep 22 2021

web dorm room 220 key dorm 220 is a key in escape from tarkov a key to the three story dormitory with a tag reading 220 on it this is an item required for the quest chemical

[the know how on rooming lists tips and tricks](#) - Jun 12 2023

it is very time consuming and overwhelming putting together a rooming list especially when you are not really familiar with the see more

[how to create a group reservation using the group](#) - Nov 05 2022

web rooming list group must submit a rooming list to hotel by salesperson will provide you with a template to submit your list if guests on the rooming list do not

master rooming list - Mar 29 2022

web april 28th 2018 master rooming list for hotel room no room type single double triple quad last name 2 last name 1 first name 1 first name 2 last name 3 first name 3

principles of leadership andrew j dubrin google books - Aug 14 2023

web south western cengage learning 2013 leadership 534 pages perfect for instructors who take a practical skill building approach to teaching leadership principles of

[test bank for principles of leadership international](#) - Sep 22 2021

principles of leadership 7th edition amazon in - Apr 10 2023

web mar 21 2012 this product is currently unavailable synopsis principles of leadership 7e international edition helps you understand leadership principles

[principles of leadership international edition by andrew j wob](#) - May 11 2023

web principles of leadership 7th edition paperback 20 april 2012 by andrew j dubrin author 4 7 5 ratings see all formats and editions

principles of leadership international edition flipkart - Dec 06 2022

web principles of leadership 7e international edition helps you understand leadership principles and hone your own leadership skills through a thoughtful

principles of leadership andrew j dubrin google books - Oct 04 2022

web andrew j dubrin by andrew j dubrin paperback 2012 01 thomson south western 9781133435297 home principles of leadership andrew j dubrin by andrew j

9781133435297 principles of leadership by andrew j dubrin - Feb 25 2022

web principles of leadership international edition 7th edition dubrin test bank pdf free download as pdf file pdf text file txt or read online for free scribd is the world s

principles of leadership 7ed amazon com - Feb 08 2023

web principles of leadership international edition dubrin andrew j amazon com au books

principles of leadership international edition abebooks - Nov 05 2022

web andrew j dubrin south western 2010 employee motivation 519 pages perfect for instructors who take a practical skill building approach to teaching leadership the sixth

principles of leadership international edition buy online at best - Jul 01 2022

web mar 11 2023 principles of leadership international edition 7th edition dubrin solutions manual chapter 2 global and cross cultural leadership the purpose of

[principles of leadership international edition 7th edition pdf](#) - Aug 02 2022

web apr 20 2012 principles of leadership 7e international edition helps you understand leadership principles and hone your own leadership skills through a

principles of leadership international edition 7th edition issuu - May 31 2022

web feb 8 2018 principles of leadership international edition 7th edition dubrin test bank download testbanklive com download principles of

principles of leadership international edition 7th edition scribd - Jan 27 2022

web principles of leadership international edition 7th edition dubrin test bank 1 free download as pdf file pdf text file txt or read online for free test bank

principles of leadership international edition paperback - Jan 07 2023

web principles of leadership 7e international edition helps you understand leadership principles and hone your own leadership skills through a thoughtful

principles of leadership international edition 7th edition dubrin - Mar 29 2022

web principles of leadership by andrew j dubrin used acceptable paperback condition used acceptable binding paperback isbn 13 9781133435297 isbn 10 1133435297 quantity

principles of leadership international edition 7th edition dubrin - Nov 24 2021

web sep 7 2017 3 leaders work hard to help staff be successful at work and in life 4 leaders protect the right of good staff to work with good staff 5 leaders encourage

principles of leadership worldcat org - Jun 12 2023

web mar 21 2012 principles of leadership 7e international edition helps you understand leadership principles and hone your own leadership skills through a

[principles of leadership international edition 7th edition scribd](#) - Dec 26 2021

web principles of leadership international edition 7th edition dubrin solutions manual provides a thorough evidence based

practice study pdf review of core textbook content

principles of leadership international edition 7th edition issuu - Apr 29 2022

web principles of leadership international edition 7th edition dubrin solutions manual pdf leadership as pdf txt or read online from scribd

principles of leadership international edition paperback - Jul 13 2023

web principles of leadership 7e international edition helps you understand leadership principles and hone your own leadership skills through a thoughtful

seven principles of leadership mindset llc - Oct 24 2021

principles of leadership andrew j dubrin paperback 2012 - Sep 03 2022

web principles of leadership 7e international edition helps you understand leadership principles and hone your own leadership skills through a thoughtful

principles of leadership international edition paperback - Mar 09 2023

web jan 1 2014 principles of leadership 7ed dubrin on amazon com free shipping on qualifying offers principles of leadership 7ed cengage india 7th edition january