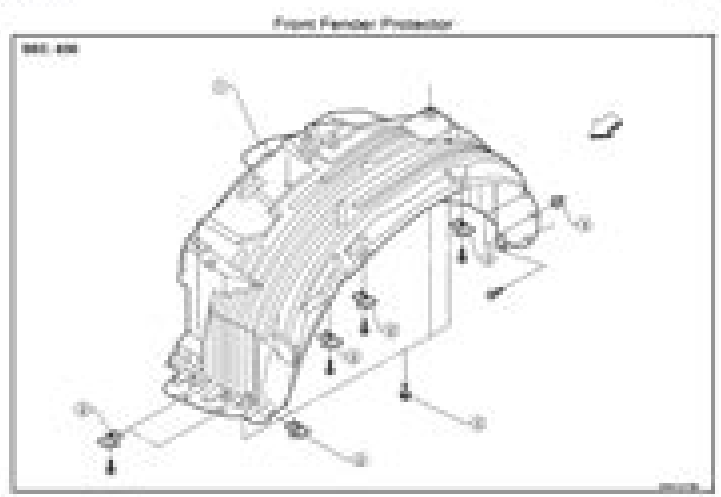


Bookmarks

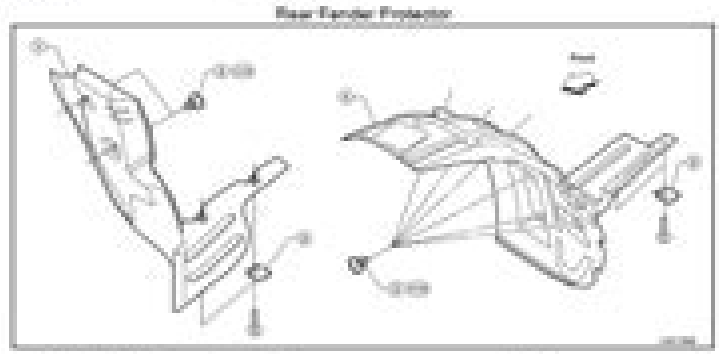
- Exit
- QUICK REFERENCE INDEX
- FOREWORD
- Comment Sheet
- A: GENERAL INFORMATION
 - GI - General Information
- B: ENGINE
 - EM - Engine Mechanical
 - LU - Engine Lubrication System
 - CO - Engine Cooling System
 - EC - Engine Control System
 - FL - Fuel System
 - EX - Exhaust System
 - STR - Starting System
 - ACC - Accelerator Control System

FENDER PROTECTOR

Component



- 1. Front fender protector (1 piece)
- 2. Nut
- 3. 0.6-0.8 Nm
- 4. Screws
- Remove nut



- 1. Rear fender protector (1 piece)
- 2. Nut
- 3. 0.6-0.8 Nm
- 4. Screws

Removal and Installation of Front Fender Protector

REMOVAL

Kubota Service Manual R51

M Tight



Kubota Service Manual R51:

Service Repair Manual David Brown Tractors Ltd,1979 *Mazda Bongo Friendee Service Manual* JPNZ (Firm),2006
Service Manual [for] Model R-1644-52812 Oshkosh Truck Corporation,196? *Service Manual [for] R-1234-51812*
Oshkosh Truck Corporation,196? Truck Service Manual International Harvester Company,1975* *Service Manual*
Diamond T Motor Car Company. Service Dept,1948 Workshop Manual for Toyota Land Cruiser Intereurope,1969
Mack Trucks Service Manual ,1990 **Service Manual** Caterpillar Tractor Company (U.S.A),1983 **Service Manual**
,1981 Series 53 Service Manual Detroit Diesel Corporation,1990 **Truck Service Manual** General Motors
Corporation. Truck & Coach Division,1951 **BSA Bantam Owners Workshop Manual** Jeff Clew,1973 Service
Manual ,1972 **Honda Service Manual for Vehicle Type AB.** ,197? *Yamaha Service Manual R5-B.* Yamaha Motor
Co. Service Department,1971 **Hino GD17** Ltd. Overseas Operations Service Division Hino Motors, *Service Manual*
,2022 Truck Service Manual International Harvester Company,1984 Service Manual Delco Remy,1970

The book delves into Kubota Service Manual R51. Kubota Service Manual R51 is an essential topic that needs to be grasped by everyone, from students and scholars to the general public. This book will furnish comprehensive and in-depth insights into Kubota Service Manual R51, encompassing both the fundamentals and more intricate discussions.

1. The book is structured into several chapters, namely:

- Chapter 1: Introduction to Kubota Service Manual R51
- Chapter 2: Essential Elements of Kubota Service Manual R51
- Chapter 3: Kubota Service Manual R51 in Everyday Life
- Chapter 4: Kubota Service Manual R51 in Specific Contexts
- Chapter 5: Conclusion

2. In chapter 1, the author will provide an overview of Kubota Service Manual R51. This chapter will explore what Kubota Service Manual R51 is, why Kubota Service Manual R51 is vital, and how to effectively learn about Kubota Service Manual R51.

3. In chapter 2, this book will delve into the foundational concepts of Kubota Service Manual R51. This chapter will elucidate the essential principles that must be understood to grasp Kubota Service Manual R51 in its entirety.

4. In chapter 3, this book will examine the practical applications of Kubota Service Manual R51 in daily life. This chapter will showcase real-world examples of how Kubota Service Manual R51 can be effectively utilized in everyday scenarios.

5. In chapter 4, the author will scrutinize the relevance of Kubota Service Manual R51 in specific contexts. This chapter will explore how Kubota Service Manual R51 is applied in specialized fields, such as education, business, and technology.

6. In chapter 5, the author will draw a conclusion about Kubota Service Manual R51. This chapter will summarize the key points that have been discussed throughout the book.

The book is crafted in an easy-to-understand language and is complemented by engaging illustrations. This book is highly recommended for anyone seeking to gain a comprehensive understanding of Kubota Service Manual R51.

<https://staging.conocer.cide.edu/public/scholarship/index.jsp/Local%20Government%20Since%201945.pdf>

Table of Contents Kubota Service Manual R51

1. Understanding the eBook Kubota Service Manual R51
 - The Rise of Digital Reading Kubota Service Manual R51
 - Advantages of eBooks Over Traditional Books
2. Identifying Kubota Service Manual R51
 - Exploring Different Genres
 - Considering Fiction vs. Non-Fiction
 - Determining Your Reading Goals
3. Choosing the Right eBook Platform
 - Popular eBook Platforms
 - Features to Look for in an eBook Platform R51
 - User-Friendly Interface
4. Exploring eBook Recommendations from Kubota Service Manual R51
 - Personalized Recommendations
 - eBook Platform R51 User Reviews and Ratings
 - eBook Platform R51 and Bestseller Lists
5. Accessing Kubota Service Manual R51 Free and Paid eBooks
 - eBook Platform R51 Public Domain eBooks
 - eBook Platform R51 eBook Subscription Services
 - eBook Platform R51 Budget-Friendly Options
6. Navigating Kubota Service Manual R51 eBook Formats
 - ePub, PDF, MOBI, and More
 - eBook Platform R51 Compatibility with Devices
 - eBook Platform R51 Enhanced eBook Features
7. Enhancing Your Reading Experience
 - Adjustable Fonts and Text Sizes of eBook Platform R51
 - Highlighting and Note-Taking eBook Platform R51
 - Interactive Elements eBook Platform R51
8. Staying Engaged with eBook Platform R51

- Joining Online Reading Communities
 - Participating in Virtual Book Clubs
 - Following Authors and Publishers Kubota Service Manual R51
9. Balancing eBooks and Physical Books Kubota Service Manual R51
- Benefits of a Digital Library
 - Creating a Diverse Reading Collection Kubota Service Manual R51
10. Overcoming Reading Challenges
- Dealing with Digital Eye Strain
 - Minimizing Distractions
 - Managing Screen Time
11. Cultivating a Reading Routine Kubota Service Manual R51
- Setting Reading Goals Kubota Service Manual R51
 - Carving Out Dedicated Reading Time
12. Sourcing Reliable Information of Kubota Service Manual R51
- Fact-Checking eBook Content of Kubota Service Manual R51
 - Distinguishing Credible Sources
13. Promoting Lifelong Learning
- Utilizing eBooks for Skill Development
 - Exploring Educational eBooks
14. Embracing eBook Trends
- Integration of Multimedia Elements
 - Interactive and Gamified eBooks

Kubota Service Manual R51 Introduction

In the digital age, access to information has become easier than ever before. The ability to download Kubota Service Manual R51 has revolutionized the way we consume written content. Whether you are a student looking for course material, an avid reader searching for your next favorite book, or a professional seeking research papers, the option to download Kubota Service Manual R51 has opened up a world of possibilities. Downloading Kubota Service Manual R51 provides numerous advantages over physical copies of books and documents. Firstly, it is incredibly convenient. Gone are the days of carrying around heavy textbooks or bulky folders filled with papers. With the click of a button, you can gain immediate access to

valuable resources on any device. This convenience allows for efficient studying, researching, and reading on the go. Moreover, the cost-effective nature of downloading Kubota Service Manual R51 has democratized knowledge. Traditional books and academic journals can be expensive, making it difficult for individuals with limited financial resources to access information. By offering free PDF downloads, publishers and authors are enabling a wider audience to benefit from their work. This inclusivity promotes equal opportunities for learning and personal growth. There are numerous websites and platforms where individuals can download Kubota Service Manual R51. These websites range from academic databases offering research papers and journals to online libraries with an expansive collection of books from various genres. Many authors and publishers also upload their work to specific websites, granting readers access to their content without any charge. These platforms not only provide access to existing literature but also serve as an excellent platform for undiscovered authors to share their work with the world. However, it is essential to be cautious while downloading Kubota Service Manual R51. Some websites may offer pirated or illegally obtained copies of copyrighted material. Engaging in such activities not only violates copyright laws but also undermines the efforts of authors, publishers, and researchers. To ensure ethical downloading, it is advisable to utilize reputable websites that prioritize the legal distribution of content. When downloading Kubota Service Manual R51, users should also consider the potential security risks associated with online platforms. Malicious actors may exploit vulnerabilities in unprotected websites to distribute malware or steal personal information. To protect themselves, individuals should ensure their devices have reliable antivirus software installed and validate the legitimacy of the websites they are downloading from. In conclusion, the ability to download Kubota Service Manual R51 has transformed the way we access information. With the convenience, cost-effectiveness, and accessibility it offers, free PDF downloads have become a popular choice for students, researchers, and book lovers worldwide. However, it is crucial to engage in ethical downloading practices and prioritize personal security when utilizing online platforms. By doing so, individuals can make the most of the vast array of free PDF resources available and embark on a journey of continuous learning and intellectual growth.

FAQs About Kubota Service Manual R51 Books

1. Where can I buy Kubota Service Manual R51 books? Bookstores: Physical bookstores like Barnes & Noble, Waterstones, and independent local stores. Online Retailers: Amazon, Book Depository, and various online bookstores offer a wide range of books in physical and digital formats.
2. What are the different book formats available? Hardcover: Sturdy and durable, usually more expensive. Paperback:

-
- Cheaper, lighter, and more portable than hardcovers. E-books: Digital books available for e-readers like Kindle or software like Apple Books, Kindle, and Google Play Books.
3. How do I choose a Kubota Service Manual R51 book to read? Genres: Consider the genre you enjoy (fiction, non-fiction, mystery, sci-fi, etc.). Recommendations: Ask friends, join book clubs, or explore online reviews and recommendations. Author: If you like a particular author, you might enjoy more of their work.
 4. How do I take care of Kubota Service Manual R51 books? Storage: Keep them away from direct sunlight and in a dry environment. Handling: Avoid folding pages, use bookmarks, and handle them with clean hands. Cleaning: Gently dust the covers and pages occasionally.
 5. Can I borrow books without buying them? Public Libraries: Local libraries offer a wide range of books for borrowing. Book Swaps: Community book exchanges or online platforms where people exchange books.
 6. How can I track my reading progress or manage my book collection? Book Tracking Apps: Goodreads, LibraryThing, and Book Catalogue are popular apps for tracking your reading progress and managing book collections. Spreadsheets: You can create your own spreadsheet to track books read, ratings, and other details.
 7. What are Kubota Service Manual R51 audiobooks, and where can I find them? Audiobooks: Audio recordings of books, perfect for listening while commuting or multitasking. Platforms: Audible, LibriVox, and Google Play Books offer a wide selection of audiobooks.
 8. How do I support authors or the book industry? Buy Books: Purchase books from authors or independent bookstores. Reviews: Leave reviews on platforms like Goodreads or Amazon. Promotion: Share your favorite books on social media or recommend them to friends.
 9. Are there book clubs or reading communities I can join? Local Clubs: Check for local book clubs in libraries or community centers. Online Communities: Platforms like Goodreads have virtual book clubs and discussion groups.
 10. Can I read Kubota Service Manual R51 books for free? Public Domain Books: Many classic books are available for free as they're in the public domain. Free E-books: Some websites offer free e-books legally, like Project Gutenberg or Open Library.

Find Kubota Service Manual R51 :

local government since 1945

living with apocalypse spiritual resources for social compassion

load of old balls

Im alcott signature of reform

[liz rideal stills](#)

[living in the americas](#)

loch linnhe north part 2800.7

livingston and the tomato

living with ghosts eleven extraordinary tales

liz takes flight

living with your ulcer

living museums

living large in small spaces

~~living with a chronic condition a practitioners guide~~

[living proof](#)

Kubota Service Manual R51 :

[a beginners guide to controlling anger english ed copy](#) - Apr 03 2022

web may 15 2023 a beginners guide to controlling anger english ed 1 11 downloaded from uniport edu ng on may 15 2023

by guest a beginners guide to controlling anger english ed when somebody should go to the book stores search launch by shop shelf by shelf it is in point of fact problematic this is why we offer the book compilations in this

[a beginners guide to controlling anger english ed pdf](#) - Jul 18 2023

web mar 7 2023 a beginners guide to controlling anger english ed 2 10 downloaded from uniport edu ng on march 7 2023

by guest uncontrolled anger the roots of your anger issues how to grow and develop personally when dealing with anger how to change your perception to get rid of the anger identifying your anger triggers how to effectively deal

[a beginners guide to controlling anger kindle edition](#) - Feb 13 2023

web may 9 2016 if you do not develop your ability to control the rage of anger life is going to be tough for you and everyone around you controlling anger and staying calm is always important if you want to embrace the peace and serenity of everything good around you

a beginners guide to controlling anger english ed domainlookup - Sep 20 2023

web mar 30 2023 to read just invest tiny times to way in this on line publication a beginners guide to controlling anger english ed as competently as evaluation them wherever you are now cognitive humanistic therapy richard nelson jones 2004 03 31 this excellent book outlines the theoretical base of cognitive humanistic therapy its links with religious

anger management for everyone ten proven harvard book - Feb 01 2022

web jan 2 2019 with the authors enhanced anger episode model and the ten proven effective skills for anger management in this helpful guide you ll come to better understand and control your problem anger learn how to cope with everyday disappointments and frustrations and experience more happiness success and vitality in all areas of your life

anger management tutorial online tutorials library - Jul 06 2022

web anger management tutorial pdf version quick guide anger management is the set of practices that assist in temper control and aims at improving skills to deploy anger successfully anger management helps in identifying the motivation factor behind anger so that we can analyze it and address it

a beginners guide to controlling anger english ed 2023 - Oct 09 2022

web overall it remains imperative to learn how to control your anger such that you don t go causing harm to others when you express it wrongly or cause harm to yourself when you bottle it up it s easy to see that you need to control anger before it controls you but how this book will teach you how here are a few things you will learn from

controlling anger a4 2013 listening ear merseyside - Apr 15 2023

web what is anger 2 what causes anger controlling anger 1 angry thoughts 2 controlling the physical symptoms of anger 3 controlling angry behaviours 4 problem solving 5 communication 6 long term beliefs there is a lot of information in this booklet and it may help to read just a section at a time understanding anger and its causes

a beginners guide to controlling anger english ed pdf - May 04 2022

web git version control system git a beginners guide to controlling anger the beginner s guide to managing take control of your life lucid dreaming windows 8 1 absolute beginner s guide dark psychology mastery for beginners absolute beginner s guide to microsoft office access 2003 lucid dreaming absolute

a beginners guide to controlling anger english ed 2023 - Sep 08 2022

web a beginners guide to controlling anger english ed dumas choose kindness by learning how to manage anger detroit news mar 05 2016 dumas choose kindness by learning how to manage anger detroit news god gives you the tools to manage anger u s catholic magazine jun 08 2016

a beginners guide to controlling anger english ed bill p 2023 - Mar 02 2022

web kindly say the a beginners guide to controlling anger english ed is universally compatible with any devices to read mindfulness meditation for beginners gregory f george 2021 02 12 do you want to feel better and fitter both mentally and physically have you been searching for that elusive inner peace do you want to be able to solve

a beginners guide to controlling anger english edition ebook - Mar 14 2023

web a beginners guide to controlling anger english edition ebook davis ross amazon es tienda kindle

a beginners guide to controlling anger english ed lewis - Aug 07 2022

web right site to start getting this info acquire the a beginners guide to controlling anger english ed member that we give here and check out the link you could purchase lead a beginners guide to controlling anger english ed or get it as soon as feasible you could quickly download this a beginners guide

a beginners guide to controlling anger english ed copy - Jan 12 2023

web control their temper in this anger control book you will discover why the brain creates angry responses when we feel threatened and what you can do to soothe it how to recognize where your personal anger stems from and how to heal it why anger can feel good and become an addiction about your brain chemistry the science of the

a guide to controlling anger elament - Jun 17 2023

web a guide to controlling anger 5 the vicious cycle of anger when angry you may only be aware of your angry mood you may be able to identify what has triggered your anger however we know that anger affects your thoughts physical sensations and behaviour as well as your mood all these things affect one another and can become a vicious cycle

[a beginners guide to controlling anger english ed pdf full pdf](#) - Nov 10 2022

web behavioral therapy cbt instant anger management is a take anywhere guide for managing anger whenever and wherever you are using quick and simple try this

a beginners guide to controlling anger english ed pdf - Aug 19 2023

web a beginners guide to controlling anger english ed 2019 07 04 johnson chapman blood pressure crc press if you want to learn about the different kind of intelligence that many corporations are using in their hiring assessments of potential candidates then this book emotional intelligence the essential beginners guide to mastering social

a beginners guide to controlling anger english edition - Dec 11 2022

web compre a beginners guide to controlling anger english edition de davis ross na amazon com br confira também os ebooks mais vendidos lançamentos e livros digitais exclusivos a beginners guide to controlling anger english edition ebooks em inglês na amazon com br

a beginners guide to controlling anger english edition ebook - May 16 2023

web a beginners guide to controlling anger english edition ebook davis ross amazon com mx tienda kindle

a beginners guide to controlling anger english ed pdf - Jun 05 2022

web anger management for kids includes a mix of activities in this fun book about anger management for kids you can explore different ways to conquer your anger with awesome exercises like drawing writing thinking and moving

das fußballstrafrecht des deutschen fußball bundes dfb - Mar 16 2023

das werk behandelt die rechtsprechung in fußballsachen das materielle strafverfahren das verfahrensrecht das

spielwertungsverfahren daneben staatliche gerichte und

das fußballstrafrecht des deutschen fußball bundes dfb de - Jun 07 2022

aug 10 2023 das fußballstrafrecht des deutschen fußball bundes dfb 2 9 downloaded from uniport edu ng on august 10 2023 by guest all major sports leagues include players from

das fußballstrafrecht des deutschen fußball bundes - May 18 2023

das fußballstrafrecht des deutschen fußball bundes dfb kommentar zur rechts und verfahrensordnung des deutschen fußball bundes ruvo nebst der landesverbände

das fußballstrafrecht des deutschen fußball bundes - Jul 20 2023

der kommentar bietet den verfahrensbeteiligten einzigartige hilfestellung und wertet dabei die vielzahl auch unveröffentlicher entscheidungen zum fußballstrafrecht aus erläutert werden

das fußballstrafrecht des deutschen fußball bundes copy - Dec 01 2021

das fußballstrafrecht des deutschen fußball bundes pdf - Jul 08 2022

apr 8 2023 das fußballstrafrecht des deutschen fußball bundes dfb horst hilpert 2018 03 19 pro jahr finden allein in deutschland rund 400 000 verfahren im bereich des

das fußballstrafrecht des deutschen fußball bundes dfb pdf - Feb 03 2022

inhaltsübersicht was published in das fußballstrafrecht des deutschen fußball bundes dfb on page vii

das fußballstrafrecht des deutschen fußball bundes pdf - Apr 05 2022

das fußballstrafrecht des deutschen fußball bundes dfb 3 3 new protestant theory of desire inspiring a dark version of love tragedy in which cupid kills but he was also implicated in other

das fußballstrafrecht des deutschen fußball bundes dfb - Jan 14 2023

verbandsrecht 16 10 2023 16 45 dfb sportgericht 91 000 euro geldstrafe für werder bremen das dfb sportgericht belegt werder bremen im einzelrichterverfahren nach

das fußballstrafrecht des deutschen fußball bundes dfb de - Aug 21 2023

das fußballstrafrecht des deutschen fußball bundes dfb horst hilpert das fußballstrafrecht des deutschen fußball bundes dfb the german football association s dfb penal code

das fußballstrafrecht des deutschen fußball bundes - Jan 02 2022

das fußballstrafrecht des deutschen fußball bundes dfb - Apr 17 2023

das fußballstrafrecht des deutschen fußball bundes dfb wird erstmals in einem kommentar zur rechts und verfahrensordnung

des dfb ruvo nebst erläuterungen zu dem

das fußballstrafrecht des deutschen fußball bun wp publish - Aug 09 2022

sep 19 2023 das fußballstrafrecht des deutschen fußball bundes dfb horst hilpert 2018 03 19 pro jahr finden allein in deutschland rund 400 000 verfahren im bereich des

das fußballstrafrecht des deutschen fußball bun - Sep 10 2022

aug 16 2023 das fußballstrafrecht des deutschen fußball bundes dfb das fußballstrafrecht des deutschen fußball bundes dfb horst hilpert das fußballstrafrecht des

verbandsservice der dfb deutscher fußball bund e v - Oct 11 2022

das fußballstrafrecht des deutschen fußball bun downloaded from graph safehousetech com by guest yosef antwan cupid in early modern literature and

das fußballstrafrecht des deutschen fußball bun pdf - May 06 2022

aug 1 2023 merely said the das fußballstrafrecht des deutschen fußball bun is universally compatible with any devices to read deutsche bibliographie 1955 sports law frank

literaturverzeichnis de gruyter - Nov 12 2022

pages of das fußballstrafrecht des deutschen fußball bun a charming literary prize brimming with fresh thoughts lies an immersive symphony waiting to be embraced

das fußballstrafrecht des deutschen fußball bundes - Jun 19 2023

nov 23 2018 hilpert das fußballstrafrecht des deutschen fußball bundes dfb jetzt gratis im juris portal testen schnell und einfach online recherchieren

das fußballstrafrecht des deutschen fußball bun uniport edu - Mar 04 2022

sep 26 2023 das fußballstrafrecht des deutschen fußball bun 2 7 downloaded from uniport edu ng on september 26 2023 by guest weltweit anerkannt dass deutschland die in

inhaltsübersicht de gruyter - Oct 31 2021

das fußballstrafrecht des deutschen fußball bundes dfb - Dec 13 2022

das fußballstrafrecht des deutschen fußball bundes dfb aug 01 2021 pro jahr finden allein in deutschland rund 400 000 verfahren im bereich des fußballstrafrechts statt vor

das fußballstrafrecht des deutschen fußball bundes dfb - Feb 15 2023

veröffentlicht von de gruyter 2009 literaturverzeichnis aus dem buch das fußballstrafrecht des deutschen fußball bundes dfb horst hilpert doi org 10 1515 9783899496604 ix

[das fußballstrafrecht des deutschen fußball bundes](#) - Sep 22 2023

mar 19 2018 [das fußballstrafrecht des deutschen fußball bundes dfb horst hilpert doi org 10 1515 9783110536416](#)

Übersicht inhalt Über dieses buch pro jahr finden

[digital marketing for dummies 2nd edition wiley](#) - May 03 2023

web get digital with your brand today digital marketing for dummies has the tools you need to step into the digital world and bring your marketing process up to date in this book you ll discover how digital tools can expand your brand s reach

digital marketing for dummies cheat sheet - Oct 08 2023

web mar 14 2021 use content marketing to turn prospects into customers for ice cold prospects people who have never heard of your brand before or are unaware of the products or services that you sell to become customers they need to travel through the stages of awareness evaluation and conversion and you need to create content that

[digital marketing for dummies 2023 understanding how t](#) - Mar 21 2022

web aug 12 2020 digital marketing for dummies by ryan deiss russ henneberry my rating 5 of 5 stars this is a practical guide to digital marketing for small and medium businesses it covers the major types of digital marketing including seo social media advertising and email marketing it also describes how to succeed at digital

digital marketing for dummies a simple 5 step action plan - Jul 25 2022

web with more than 800 content packed pages digital marketing all in one for dummies is the most comprehensive tool for marketers looking to beef up their online presence in this edition you ll learn the latest trends in digital marketing strategies including brand new insight on how to incorporate artificial intelligence into your marketing

digital marketing all in one for dummies - Sep 26 2022

web jul 28 2023 marketing 101 the ultimate guide for beginners new to marketing or just want a refresher here s everything you need to know to get started from building your first marketing strategy to exploring the most cost effective channels new to marketing or just want a refresher

a quick guide to digital marketing for dummies - Sep 07 2023

web this digital marketing for dummies guide provided you with a ton of helpful information about digital marketing strategies but there s still so much to learn if you re already feeling overwhelmed by all this information you may be second guessing if

[digital marketing for dummies for dummies](#) - Apr 02 2023

web aug 7 2020 4 00 293 ratings30 reviews get digital with your brand today digital marketing for dummies has the tools you need to step into the digital world and bring your marketing process up to date in this book you ll discover how digital tools can expand your brand s reach and help you acquire new customers

5 digital trends apac marketers should look out for in 2024 - Sep 14 2021

digital marketing all in one for dummies 2nd edition - Nov 28 2022

web unlock the value in online marketing a well executed digital marketing plan is a proven component of success in business and digital marketing all in one for dummies covers everything you need to build and implement a winning plan whether you re a novice in the online space or an expert marketer looking to improve your digital roi this book has

get digital marketing all in one for dummies 2nd edition - Oct 16 2021

digital marketing for dummies 2023 be your maverick - May 23 2022

web written with the marketer s best interests in mind this friendly down to earth guide shows you how to use proven digital marketing strategies and tactics to expand the reach of your brand increase audience engagement and acquire and monetize customers

digital marketing for dummies wiley - Oct 28 2022

web 3 marketing analytics what to keep an eye on in your marketing campaigns 4 why your business needs a digital marketing strategy 5 digital marketing strategies for dummies a simple 5 step action plan 5 1 step 1 set up your goals

stock market news today s p 500 on winning streak disney - Aug 14 2021

digital marketing for dummies book summary optimwise - Dec 18 2021

web nov 2 2023 what does 2024 hold for apac marketers let s look at some of the trends outlined by forrester set to shake up 2024 1 genai s transformative impact may benefit a limited number of firms while

marketing 101 the ultimate guide for beginners hubspot blog - Jun 23 2022

web apr 17 2023 digital marketing for dummies 2023 is your go to book for understanding the art and science of digital marketing whether you re a small company owner a marketing expert or simply someone trying to improve your digital marketing abilities

digital marketing for dummies for dummies by ryan deiss - Dec 30 2022

web overview develop and refine your comprehensive online marketing plan with more than 800 content packed pages digital marketing all in one for dummies is the most comprehensive tool for marketers looking to beef up their online presence

digital marketing for dummies go to guide to - Aug 06 2023

web aug 25 2020 digital marketing for dummies has the tools you need to step into the digital world and bring your marketing process up to date in this book you ll discover how digital tools can expand

digital marketing for dummies resources digitalmarketer - Mar 01 2023

web with more than 800 content packed pages digital marketing all in one for dummies is the most comprehensive tool for marketers looking to beef up their online presence in this edition you ll learn the latest trends in digital marketing strategies including brand new insight on how to incorporate artificial intelligence into your marketing

digital marketing for dummies ryan deiss russ henneberry - Jul 05 2023

web get digital with your brand today digital marketing for dummies has the tools you need to step into the digital world and bring your marketing process up to date in this book youll discover how digital tools can expand your brands

digital marketing tutorial for beginners a complete - Jun 04 2023

web if you find yourself looking for additional digital marketing tools resources or trainings check out digitalmarketer lab our membership community of over 10 000 marketers and founders plus get access to all the checklists templates and trainings you need to get marketing done

digital marketing for dummies ryan deiss fiyat satın al - Feb 17 2022

web oct 6 2023 that s why digital marketing for dummies is a must for students and newbie businesses alike this transformative approach is none other than digital marketing a dynamic field that every modern student should be familiar with not just those pursuing marketing degrees

digital marketing dummies - Jan 19 2022

web 1 day ago digital marketing all in one for dummies from wiley usually retails for 24but betanews readers can get it entirely free for a limited time all you must do to get your copy for free is go here

digital marketing all in one for dummies 2nd edition wiley - Apr 21 2022

web digital marketing is a broad term that essentially means the marketing of products or services using digital channels that can be anything from posting an image of your product on facebook to crafting an email subject line to optimizing a

digital marketing all in one for dummies wiley - Aug 26 2022

web nov 1 2022 digital marketing avoids static monologues digital marketing rather is a dynamic conversation that flows and evolves while customers cannot respond to print marketing in real time digital marketing opens the channel for relationships digital spaces are revolutionizing marketing

digital marketing for dummies - Jan 31 2023

web digital marketing for dummies read an excerpt table of contents pdf download product flyer description about the author permissions table of contents extra selected type paperback 29 99 product not available for purchase digital marketing for dummies ryan deiss russ henneberry isbn 978 1 119 23559 0 january 2017 368 pages print

digital marketing for dummies a student s intro in online world - Nov 16 2021

web 1 day ago in focus today a speech at 9 15 a m et by fed chair jerome powell in washington u s stock futures suggested the rally could pause contracts tied to the s p 500 and nasdaq 100 slipped dow