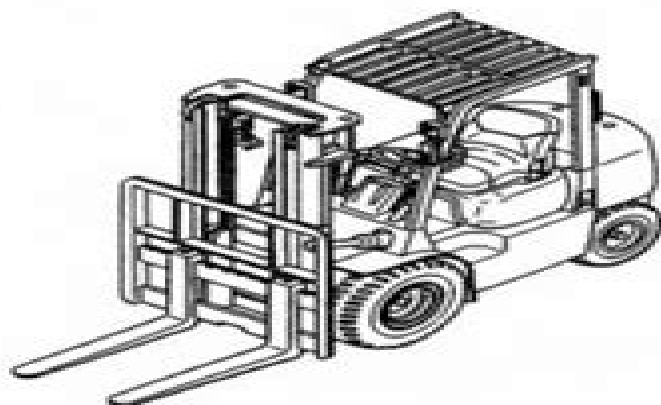


**MITSUBISHI
FORKLIFT TRUCKS**

**SERVICE MANUAL
DIESEL ENGINE**

S4Q2
2976—UP

for **FD10**
FD14
FD15
FD18



Quality Makes the Difference

99719-73100

Manual Mitsubishi Forklift Fd 15

F Rizvi



Manual Mitsubishi Forklift Fd 15:

Discover tales of courage and bravery in Crafted by is empowering ebook, **Manual Mitsubishi Forklift Fd 15** . In a downloadable PDF format (PDF Size: *), this collection inspires and motivates. Download now to witness the indomitable spirit of those who dared to be brave.

<https://staging.conocer.cide.edu/About/Resources/default.aspx/Mitsubishi%20L2manual%20Rus.pdf>

Table of Contents Manual Mitsubishi Forklift Fd 15

1. Understanding the eBook Manual Mitsubishi Forklift Fd 15
 - The Rise of Digital Reading Manual Mitsubishi Forklift Fd 15
 - Advantages of eBooks Over Traditional Books
2. Identifying Manual Mitsubishi Forklift Fd 15
 - Exploring Different Genres
 - Considering Fiction vs. Non-Fiction
 - Determining Your Reading Goals
3. Choosing the Right eBook Platform
 - Popular eBook Platforms
 - Features to Look for in an Manual Mitsubishi Forklift Fd 15
 - User-Friendly Interface
4. Exploring eBook Recommendations from Manual Mitsubishi Forklift Fd 15
 - Personalized Recommendations
 - Manual Mitsubishi Forklift Fd 15 User Reviews and Ratings
 - Manual Mitsubishi Forklift Fd 15 and Bestseller Lists
5. Accessing Manual Mitsubishi Forklift Fd 15 Free and Paid eBooks
 - Manual Mitsubishi Forklift Fd 15 Public Domain eBooks
 - Manual Mitsubishi Forklift Fd 15 eBook Subscription Services
 - Manual Mitsubishi Forklift Fd 15 Budget-Friendly Options
6. Navigating Manual Mitsubishi Forklift Fd 15 eBook Formats

- ePub, PDF, MOBI, and More
 - Manual Mitsubishi Forklift Fd 15 Compatibility with Devices
 - Manual Mitsubishi Forklift Fd 15 Enhanced eBook Features
7. Enhancing Your Reading Experience
 - Adjustable Fonts and Text Sizes of Manual Mitsubishi Forklift Fd 15
 - Highlighting and Note-Taking Manual Mitsubishi Forklift Fd 15
 - Interactive Elements Manual Mitsubishi Forklift Fd 15
 8. Staying Engaged with Manual Mitsubishi Forklift Fd 15
 - Joining Online Reading Communities
 - Participating in Virtual Book Clubs
 - Following Authors and Publishers Manual Mitsubishi Forklift Fd 15
 9. Balancing eBooks and Physical Books Manual Mitsubishi Forklift Fd 15
 - Benefits of a Digital Library
 - Creating a Diverse Reading Collection Manual Mitsubishi Forklift Fd 15
 10. Overcoming Reading Challenges
 - Dealing with Digital Eye Strain
 - Minimizing Distractions
 - Managing Screen Time
 11. Cultivating a Reading Routine Manual Mitsubishi Forklift Fd 15
 - Setting Reading Goals Manual Mitsubishi Forklift Fd 15
 - Carving Out Dedicated Reading Time
 12. Sourcing Reliable Information of Manual Mitsubishi Forklift Fd 15
 - Fact-Checking eBook Content of Manual Mitsubishi Forklift Fd 15
 - Distinguishing Credible Sources
 13. Promoting Lifelong Learning
 - Utilizing eBooks for Skill Development
 - Exploring Educational eBooks
 14. Embracing eBook Trends
 - Integration of Multimedia Elements
 - Interactive and Gamified eBooks

Manual Mitsubishi Forklift Fd 15 Introduction

In today's digital age, the availability of Manual Mitsubishi Forklift Fd 15 books and manuals for download has revolutionized the way we access information. Gone are the days of physically flipping through pages and carrying heavy textbooks or manuals. With just a few clicks, we can now access a wealth of knowledge from the comfort of our own homes or on the go. This article will explore the advantages of Manual Mitsubishi Forklift Fd 15 books and manuals for download, along with some popular platforms that offer these resources. One of the significant advantages of Manual Mitsubishi Forklift Fd 15 books and manuals for download is the cost-saving aspect. Traditional books and manuals can be costly, especially if you need to purchase several of them for educational or professional purposes. By accessing Manual Mitsubishi Forklift Fd 15 versions, you eliminate the need to spend money on physical copies. This not only saves you money but also reduces the environmental impact associated with book production and transportation. Furthermore, Manual Mitsubishi Forklift Fd 15 books and manuals for download are incredibly convenient. With just a computer or smartphone and an internet connection, you can access a vast library of resources on any subject imaginable. Whether you're a student looking for textbooks, a professional seeking industry-specific manuals, or someone interested in self-improvement, these digital resources provide an efficient and accessible means of acquiring knowledge. Moreover, PDF books and manuals offer a range of benefits compared to other digital formats. PDF files are designed to retain their formatting regardless of the device used to open them. This ensures that the content appears exactly as intended by the author, with no loss of formatting or missing graphics. Additionally, PDF files can be easily annotated, bookmarked, and searched for specific terms, making them highly practical for studying or referencing. When it comes to accessing Manual Mitsubishi Forklift Fd 15 books and manuals, several platforms offer an extensive collection of resources. One such platform is Project Gutenberg, a nonprofit organization that provides over 60,000 free eBooks. These books are primarily in the public domain, meaning they can be freely distributed and downloaded. Project Gutenberg offers a wide range of classic literature, making it an excellent resource for literature enthusiasts. Another popular platform for Manual Mitsubishi Forklift Fd 15 books and manuals is Open Library. Open Library is an initiative of the Internet Archive, a non-profit organization dedicated to digitizing cultural artifacts and making them accessible to the public. Open Library hosts millions of books, including both public domain works and contemporary titles. It also allows users to borrow digital copies of certain books for a limited period, similar to a library lending system. Additionally, many universities and educational institutions have their own digital libraries that provide free access to PDF books and manuals. These libraries often offer academic texts, research papers, and technical manuals, making them invaluable resources for students and researchers. Some notable examples include MIT OpenCourseWare, which offers free access to course materials from the Massachusetts Institute of Technology, and the Digital Public Library of America, which provides a vast collection of digitized books and historical documents. In conclusion, Manual Mitsubishi Forklift Fd 15 books

and manuals for download have transformed the way we access information. They provide a cost-effective and convenient means of acquiring knowledge, offering the ability to access a vast library of resources at our fingertips. With platforms like Project Gutenberg, Open Library, and various digital libraries offered by educational institutions, we have access to an ever-expanding collection of books and manuals. Whether for educational, professional, or personal purposes, these digital resources serve as valuable tools for continuous learning and self-improvement. So why not take advantage of the vast world of Manual Mitsubishi Forklift Fd 15 books and manuals for download and embark on your journey of knowledge?

FAQs About Manual Mitsubishi Forklift Fd 15 Books

How do I know which eBook platform is the best for me? Finding the best eBook platform depends on your reading preferences and device compatibility. Research different platforms, read user reviews, and explore their features before making a choice. Are free eBooks of good quality? Yes, many reputable platforms offer high-quality free eBooks, including classics and public domain works. However, make sure to verify the source to ensure the eBook credibility. Can I read eBooks without an eReader? Absolutely! Most eBook platforms offer web-based readers or mobile apps that allow you to read eBooks on your computer, tablet, or smartphone. How do I avoid digital eye strain while reading eBooks? To prevent digital eye strain, take regular breaks, adjust the font size and background color, and ensure proper lighting while reading eBooks. What the advantage of interactive eBooks? Interactive eBooks incorporate multimedia elements, quizzes, and activities, enhancing the reader engagement and providing a more immersive learning experience. Manual Mitsubishi Forklift Fd 15 is one of the best book in our library for free trial. We provide copy of Manual Mitsubishi Forklift Fd 15 in digital format, so the resources that you find are reliable. There are also many Ebooks of related with Manual Mitsubishi Forklift Fd 15. Where to download Manual Mitsubishi Forklift Fd 15 online for free? Are you looking for Manual Mitsubishi Forklift Fd 15 PDF? This is definitely going to save you time and cash in something you should think about.

Find Manual Mitsubishi Forklift Fd 15 :

mitsubishi l2manual rus

mitsubishi lancer 2000 2007 repair service manual

mitsubishi montero workshop repair manual all 1986 1996 models covered

mitsubishi lancer se 2006 manual

mitsubishi wd 62825 tv service manual

mitsubishi lancer manual transmission for sale

[mitsubishi mirage 2000 repair service manual](#)

[mitsubishi l300 mitsubishi l300 1980 1986 workshop manual](#)

[mitsubishi l3e operations manual](#)

mitsubishi manual transmission for sale

[mitsubishi mm30sr workshop manual](#)

[mitsubishi mr j2 200ct manual](#)

[mitsubishi triton 2012 service manual](#)

[mitsubishi lancer evolution vii workshop service manual](#)

[mitsubishi src25 service manual](#)

Manual Mitsubishi Forklift Fd 15 :

[geo panorama der blick ins weite 2022 panorama kalender](#) - May 01 2022

web geo panorama der blick ins weite 2022als fotograf unendlicher weiten genießt craig bill weltruf zwölf seiner spektakulären bilder zeigt dieser kalender im legendären geo panorama großformat

[der blick ins weite 2020 schraegschrift](#) - Mar 11 2023

web nov 19 2019 wer atemberaubende landschaften liebt wird von diesem kalender begeistert sein er führt den betrachter in länder die als reiseziel nicht unbedingt im fokus stehen angefangen bei patagonien über

[geo panorama der blick ins weite 2022 amazon com tr](#) - Mar 31 2022

web geo panorama der blick ins weite 2022 panorama kalender wand kalender großformat kalender 137x60 amazon com tr kitap

İbb panorama ile İstanbul gezileri başladı digital age - Dec 28 2021

web may 6 2020 İstanbul büyük Şehir belediyesi coğrafi bilgiler müdürlüğü İbb panorama web sitesiyle İstanbul u 360 derecelik gigapixel kameralar ve turizm kameraları ile gezme imkanı sunuyor İbb panorama web sitesi için çok yüksek

çözünürlüklü fotoğraflar 360 derecelik gigapiksel kameralarla çekilmiş belediyenin İstanbul un farklı noktalarında

[geo panorama der blick ins weite 2024 panorama kalender](#) - Sep 05 2022

web beschreibung geo panorama der blick ins weite 2024 jason denning ist berühmt für seine fotografien spektakulärer welten zwölf seiner bilder zeigt dieser kalender im legendären geo panorama großformat format 137 x 60 cm

[geo panorama der blick ins weite 2021 moluna](#) - Aug 04 2022

web jun 30 2020 geo panorama der blick ins weite 2021 atemraubende ausblicke bilder von unendlich scheinender

dimension wenn landschaften sich in unermessliche weiten dehnen ist der ukrainis

geo panorama der blick ins weite 2020 weltbild - Jul 15 2023

web jetzt geo panorama der blick ins weite 2020 bestellen und weitere tolle kalender entdecken auf weltbild de

geo panorama calendar 2020 der blick ins weite the view - Aug 16 2023

web geo panorama calendar 2020 der blick ins weite the view into the distance 60x137sm 24 55 inches 12 pages panoramic calendar

geo panorama der blick ins weite 2020 download only - Dec 08 2022

web geo saison 10 2020 die schönsten herbstreisen geo saison 11 2022 wellness art international geo special 04 2020

naturwunder in deutschland geo kompakt 65 2020 die 25 großen fragen der wissenschaft geo panorama der blick ins weite

2020 downloaded from ci kubesail com by guest richard lester geo special 06 2020

İbb panoroma ile İstanbul u evden çıkmadan gezin webrazzi - Feb 27 2022

web may 2 2020 İbb panoroma ile İstanbul u evden çıkmadan gezin 360 derecelik gigapixel kameralar ve turizm kameraları üzerinden İstanbul un 28 farklı semtinde gezintiye çıkın tuğçe İçözü 02 mayıs 2020 1

panorama street view cbs akademİ - Jan 29 2022

web apr 15 2016 buradasınız anasayfa 1 cbs terimleri 2 p 3 panorama street view panorama street view 360° görüntü

alabilen özel donanımlar ile koordinat ilişkili sokak görüntüleridir

neumann verlage geo panorama der blick ins weite 2024 - May 13 2023

web zum shop neumann verlage gmbh co kg geo panorama der blick ins weite 2024 pan ora ma ka len der wand ka len der groß for mat ka len der 137x60 125 79 125 79 inkl versand preis inkl gutschein

geo panorama der blick ins weite 2020 weltbild - Jun 14 2023

web jetzt geo panorama der blick ins weite 2020 bestellen weitere kalender entdecken tolle kalender in grosser auswahl

finden sie in unserem weltbild shop buch dabei versandkostenfrei

geo kalender jetzt im online shop bestellen - Jul 03 2022

web panorama kalender der blick ins weite 2024 119 00 panorama kalender meeresweiten 2024 119 00 panorama kalender

orte der stille 2024 119 00 panorama kalender die schönsten gärten 2024 119 00 vertical kalender magie des augenblicks 2024

geo panorama der blick ins weite 2021 weltbild - Apr 12 2023

web geo panorama der blick ins weite 2021 atemraubende ausblicke bilder von unendlich scheinender dimension wenn

landschaften sich in unermessliche weiten dehnen ist der ukrainisch amerikanische fotograf mike reyfman in seinem element

geo panorama der blick ins weite 2020 - Nov 07 2022

web geo panorama der blick ins weite 2020 is additionally useful you have remained in right site to start getting this info acquire the geo panorama der blick ins weite 2020 connect that we manage to pay for here and check out the link you could purchase guide geo panorama der blick ins weite 2020 or get it as soon as feasible you

geo panorama der blick ins weite 2020 copy dotnbnm - Oct 06 2022

web 2 geo panorama der blick ins weite 2020 2022 09 04 ganz anders als jeder andere körperteil denn sobald auch nur ein winziges stück davon geschädigt wird kann es sein dass wir nicht mehr wieder zuerkennen sind manche gehirnschäden etwa verursachen möglicherweise depression andere manie

geo online shop abos und einzelhefte bestellen - Jun 02 2022

web we would like to show you a description here but the site won t allow us

panorama kalender der blick ins weite 2024 bestellen geo - Feb 10 2023

web panorama kalender der blick ins weite 2024 jason denning ist berühmt für seine fotografien spektakulärer weiten zwölf seiner eindrucksvollsten bilder präsentiert dieser kalender im legendären geo panorama großformat produktgruppe

geo panorama der blick ins weite 2024 kalendersale de - Jan 09 2023

web geo panorama der blick ins weite 2024 jason denning ist berühmt für seine fotografien spektakulärer welten zwölf seiner bilder zeigt dieser kalender im legendären geo panorama großformat format 137 x 60 cm

the dean vaughn learning system applied to medical terminology - Feb 06 2023

web the dean vaughn learning system applied to medical terminology 350 by vaughn dean e publication date 1983 topics medicine terminology publisher westwood mass damon instructional systems division

lesson 12 from dean vaughn medical terminology cram com - Dec 04 2022

web study flashcards on lesson 12 from dean vaughn medical terminology at cram com quickly memorize the terms phrases and much more cram com makes it easy to get the grade you want

medical terminology 350 dvd course dean vaughn - Jun 10 2023

web medical terminology 350 course highlights designed to teach the 350 must know greek and latin elements of medical terminology learn medical suffixes prefixes roots and combining forms that combine to form 11 000 medicals terms modular in design providing flexibility to teach lessons independently

lesson 11 medical terminology practice lesson 11 dean vaughn - Apr 27 2022

web lesson 11 dean vaughn medical terminology 1 thromb 2 ab 3 plegia 4 ante 5 thel 6 ex 7 lien 8 tumor 9 vestibule 10 puer 11 sarc 12 prolix 13 macro 14 lal 15 intra 16 inter 17 infra 18 cryo 19 mal 20 glom 21 tens 22 spas 23 somni 8 myospasmia is a condition characterized by uncontrollable

lesson 12 medical terminology practice lesson 12 dean vaughn - Jul 31 2022

web lesson 12 dean vaughn medical terminology 1 arter 2 appendic 3 thyro 4 spleen 5 ovario 6 adreno 7 basi 8 pelvi 9 vena 10 urethr 11 utero 12 sacro 13 pharyng 14 duodeno 15 ureter 16 laryng 17 bronch 18 col 19 esophag 20 bi 21 tri 22 ile 23 ili 7 the term hyperthyroidism indicates a condition of having

[medical terminology dv lesson 2 flashcards quizlet](#) - Apr 08 2023

web dean vaughn learning system lesson 2 learn with flashcards games and more for free

medical terminology 350 learning guide archive org - Nov 03 2022

web may 2 2022 guide to accompany the 14 vol video set on learning and remembering medical terms the dean vaughn total retention system access restricted item true addeddate 2022 05 02 17 07 51 associated names vaughn dean e dcm instructional systems autocrop version 0 0 12 books 20220331 0 2 boxid ia40462616

[medical terminology lesson 10 flashcards quizlet](#) - Jan 05 2023

web dean vaughn medical terminology 350 second edition learn with flashcards games and more for free

lesson 7 elements and activities lesson 7 dean vaughn medical - Jun 29 2022

web lesson 7 elements and activities lesson 7 dean vaughn medical terminology 1 helio 2 astr 3 studocu skip to document add your university or school ask ai on studocu you find all the lecture notes summaries and study guides you need to pass your exams with better grades

dean vaughn medical terminology lesson 11 cram com - Oct 02 2022

web 25 cards in this set study flashcards on dean vaughn medical terminology lesson 11 at cram com quickly memorize the terms phrases and much more cram com makes it easy to get the grade you want

dean vaughn medical terminology 350 flashcards and study sets quizlet - Aug 12 2023

web learn dean vaughn medical terminology 350 with free interactive flashcards choose from 211 different sets of dean vaughn medical terminology 350 flashcards on quizlet

medical terminology lesson 2 flashcards quizlet - Feb 23 2022

web 1 25 flashcards learn test match created by insane4luv dean vaughn medical terminology 350 second edition students also viewed medical terms lesson 3 teacher 25 terms jenny van9 preview medical terminology lesson 4 teacher 25 terms dbhealth preview tuck 24 end vocab 5 terms maditil preview 11 terms grisell preview dean

[dean vaughn](#) - Jul 11 2023

web you ll only have to learn 275 flashcards to memorize 11 000 medical termsunique picture flashcards help you memorize and pronounce complex greek and latin terms check bold 275 fun picture medical terminology flashcards check bold short videos with medical terminology lessons

[medical terminology lesson 8 flashcards quizlet](#) - May 09 2023

web dean vaughn medical terminology 350 second edition terms in this set 25 pneum lung phage to eat phren mind corne
horny plak plate iris rainbow kerat horny pulmo lung ptyal saliva alveol cavity oophor

dean vaughn medical terminology for students youtube - Sep 13 2023

web nov 23 2016 learn more deanvaughn com collections products for school health education learn the basic design of
medical terminology and how to easily remember pronounce

dean vaughn - May 29 2022

web available online or as a box set of 14 dvds check bold teaches anatomical terminology direction and location as well as
the names of all the major parts in each body system check bold includes all 206 bones of the skeletal system trusted by 3
million individuals at 12 000 schools businesses

medical terminology lesson 1 flashcards quizlet - Mar 27 2022

web dean vaughn medical terminology 350 second edition learn with flashcards games and more for free

medical terminology online course dean vaughn - Oct 14 2023

web identify the structure of medical terminology and recognize word suffixes prefixes roots and combining forms

understand that the meaning of most complex medical terms is derived by analysis of simpler components or word parts

includes 20 quizzes medical terminology flashcards and two practice tests

lesson 10 medical terminology practice lesson 10 dean vaughn - Sep 01 2022

web lesson 10 dean vaughn medical terminology 1 mechano 2 dynamo 3 osmo 4 traumat 5 trich 6 maxilla 7 an a 8 phak 9 pre
10 strict 11 turbin

medical terminology 350 dean vaughn google books - Mar 07 2023

web jun 30 2004 dean vaughn dcm instructional systems jun 30 2004 medical sciences 292 pages teaches the student to
easily remember pronounce and apply 350 prefixes roots and suffixes that combine to form over 11 000 medical terms in an
average participation time of only 14 hours without taking notes or doing homework

download ide atmel avr studio 6 xtronic - Dec 06 2022

web sep 24 2013 avrstudio is the development software for avr microcontrollers supplied by atmel to allow users to easily
develop code for their devices it includes project

c procyon libraries with avr studio 6 stack overflow - Dec 26 2021

web sep 8 2023 atmel studio 6 is a program designed for developing and debugging atmel arm cortex m and atmel avr
microcontroller mcu based applications the atmel

atmel studio 6 2 download free atmelstudio exe - Nov 24 2021

installation and updates microchip technology - May 11 2023

web nov 19 2012 aug 31 2023 download popular programs drivers and latest updates easily atmel studio was designed for hardware developers to help them create microcontroller

atmel studio 6 2 release notes microchip technology - Jan 07 2023

web dec 27 2021 the avr studio 6 editor simplifies code editing and lets you write code more efficiently it supports all 8 and 32 bit avr microcontrollers and connects

avr studio 6 2 free download windows - Apr 29 2022

web may 4 2017 i d like to re install studio 6 hoping that the deleted component gets re installed in the process however i can t find any studio 6 install file on any reputable

avr microcontrollers wikipedia - Feb 25 2022

web avr studio 5 release 5 1 welcome to the avr studio 5 avr studio 5 is the new integrated development environment from atmel it provides you a modern and powerful

[find atmel studio 6 installer electrical engineering stack](#) - Mar 29 2022

web avr is a family of microcontrollers developed since 1996 by atmel acquired by microchip technology in 2016 these are modified harvard architecture 8 bit risc single chip

atmel studio 6 tutorial for avr mcu a step by step guide - Feb 08 2023

web atmel studio 6 2 can be run side by side with atmel studio 6 1 atmel studio 6 0 avr studio 5 0 and 5 1 uninstallation of previous versions is not required

newest avr studio6 questions stack overflow - May 31 2022

web avr studio 6 2 free download development tools downloads avr studio by atmel corporation and many more programs are available for instant and free download

[atmel studio 6 1 release notes microchip technology](#) - Oct 04 2022

web jan 2 2010 1 introduction 1 1 features 1 2 new and noteworthy 1 2 1 microchip studio for avr and sam devices 1 2 2 atmel studio 6 2 service pack 2 1 2 3 atmel studio

avr studio 5 1 microchip technology - Sep 03 2022

web aug 1 2012 atmel released the new version of their well known avr studio which now combines avr arm and qtouch under a new name atmel studio official atmel

avr and sam mcu downloads archive microchip - Jul 13 2023

web microchip studio for avr and sam devices mplab ml model builder development tools for arm cortex mcus debug view all data visualizer mplab data visualizer

programming how to setup defines in avr studio 6 0 electrical - Jul 01 2022

web jan 25 2015 i have a problem trying to integrate usbasp with avr studio i have not been able to solve it yet still get this error avrdude.exe invalid file format in update specifier

which avr studio version is best avr studio 6 versus - Nov 05 2022

web run your solution on a starter or evaluation kit program and debug your project with the included simulator or use one of the powerful on chip debugging and programming tools

download avr studio 6 - Aug 14 2023

web oct 30 2012 atmel studio 6 the integrated development environment atmel studio 6 is the integrated development environment ide for developing and debugging atmel

atmel studio 6 0 download free atmelstudio.exe - Apr 10 2023

web download the latest atmel studio 6 0 installer atmel studio 6 0 can be run side by side with avr studio 5 0 and 5 1
uninstallation of avr studio 5 0 or 5 1 is not required

atmel studio 6 with arduino boards part 1 jaycon systems - Aug 02 2022

web atmel avr studio 6 remove invalid target device how 1 avr studio flash file annoyance 1 avrdude with buring settings of avr studio 4 c documentation for

atmel studio 6 microchip technology - Jun 12 2023

web atmel studio 6 is the integrated development environment ide for developing and debugging embedded applications based on atmel avr and arm cortexm m

8 32 bit microcontrollers avr studio 5 release 5 1 release 5 - Jan 27 2022

web jan 21 2013 i am having a problem using the procyon libraries with avr studio 6 for now i am attempting to use the timer h library i have included the procyon file as a

atmel studio release 6 microchip technology - Mar 09 2023

web atmel studio 6 supports all avr ics by atmel as well as new avr and arm devices it provides the same platform for 8 bit 32 bit and arm series microcontrollers it also