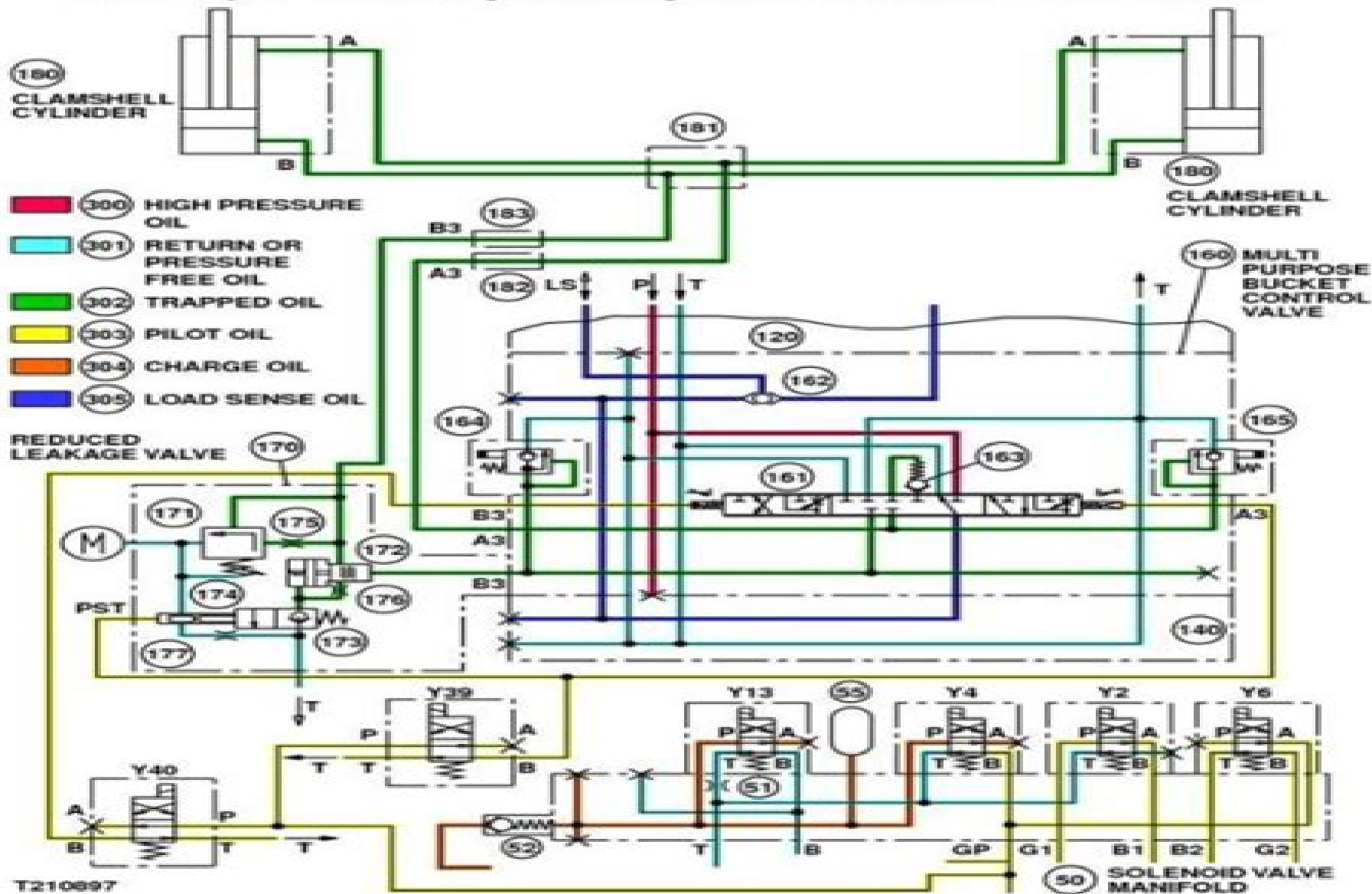


# Multi Purpose Bucket Hydraulic System Schematic 655C and 755C



Multi Purpose Bucket Hydraulic System Schematic

- LEGEND:**
- 50 Solenoid Valve Manifold
  - 51 Restriction Orifice
  - 52 Hydraulic Accumulator Check Valve

# Manual John Deere C Series 655

**Christopher G. Bates**



## **Manual John Deere C Series 655:**

**Organizational maintenance manual** ,1987     *Books In Print 2004-2005* Ed Bowker Staff,Staff Bowker, Ed,2004  
Subject Guide to Books in Print ,2001     The Early Republic and Antebellum America Christopher G. Bates,2015-04-08  
First Published in 2015 Routledge is an imprint of Taylor Francis an Informa company     *Trade and Industrial Education*  
,1972     **Books in Print Supplement** ,2002     *Cars & Parts* ,1983     **Dictionary Catalog of the Library of the**  
**Massachusetts Horticultural Society** Massachusetts Horticultural Society. Library,1962     *Public Works Manual* ,1991  
**Forthcoming Books** Rose Arny,2002     Power Farming in Australia and New Zealand Technical Manual ,1968  
**Moody's Manual of Investments** John Sherman Porter,1957 American government securities 1928 53 in 5 annual vols  
v 1 Railroad securities 1952 53 Transportation v 2 Industrial securities v 3 Public utility securities v 4 Government securities  
1928 54 v 5 Banks insurance companies investment trusts real estate finance and credit companies 1928 54     *Moody's*  
*Bank and Finance Manual* ,2000     **John Deere 655 Compact Utility Tractor Technical Service Repair Manual**  
,1996-06-15     Implement & Tractor Red Book ,1988     Index of Patents Issued from the United States Patent Office  
United States. Patent Office,1967     The Iron Trade Review ,1907     **Northeast Corridor Transportation Facts and**  
**Statistics** Morris Jerome Rothenberg,1969     *Iron Trade Review* ,1907     *The workes of that famovs and worthy minister*  
*of Christ in the Vniuersity of Cambridge, Mr. W. Perkins* William Perkins,1618

When somebody should go to the books stores, search commencement by shop, shelf by shelf, it is in reality problematic. This is why we allow the books compilations in this website. It will completely ease you to see guide **Manual John Deere C Series 655** as you such as.

By searching the title, publisher, or authors of guide you truly want, you can discover them rapidly. In the house, workplace, or perhaps in your method can be every best area within net connections. If you direct to download and install the Manual John Deere C Series 655, it is agreed easy then, since currently we extend the partner to buy and create bargains to download and install Manual John Deere C Series 655 therefore simple!

<https://staging.conocer.cide.edu/data/virtual-library/fetch.php/fodors%20complete%20guide%20to%20americas%20national%20parks.pdf>

## **Table of Contents Manual John Deere C Series 655**

1. Understanding the eBook Manual John Deere C Series 655
  - The Rise of Digital Reading Manual John Deere C Series 655
  - Advantages of eBooks Over Traditional Books
2. Identifying Manual John Deere C Series 655
  - Exploring Different Genres
  - Considering Fiction vs. Non-Fiction
  - Determining Your Reading Goals
3. Choosing the Right eBook Platform
  - Popular eBook Platforms
  - Features to Look for in an Manual John Deere C Series 655
  - User-Friendly Interface
4. Exploring eBook Recommendations from Manual John Deere C Series 655
  - Personalized Recommendations
  - Manual John Deere C Series 655 User Reviews and Ratings

- Manual John Deere C Series 655 and Bestseller Lists
- 5. Accessing Manual John Deere C Series 655 Free and Paid eBooks
  - Manual John Deere C Series 655 Public Domain eBooks
  - Manual John Deere C Series 655 eBook Subscription Services
  - Manual John Deere C Series 655 Budget-Friendly Options
- 6. Navigating Manual John Deere C Series 655 eBook Formats
  - ePub, PDF, MOBI, and More
  - Manual John Deere C Series 655 Compatibility with Devices
  - Manual John Deere C Series 655 Enhanced eBook Features
- 7. Enhancing Your Reading Experience
  - Adjustable Fonts and Text Sizes of Manual John Deere C Series 655
  - Highlighting and Note-Taking Manual John Deere C Series 655
  - Interactive Elements Manual John Deere C Series 655
- 8. Staying Engaged with Manual John Deere C Series 655
  - Joining Online Reading Communities
  - Participating in Virtual Book Clubs
  - Following Authors and Publishers Manual John Deere C Series 655
- 9. Balancing eBooks and Physical Books Manual John Deere C Series 655
  - Benefits of a Digital Library
  - Creating a Diverse Reading Collection Manual John Deere C Series 655
- 10. Overcoming Reading Challenges
  - Dealing with Digital Eye Strain
  - Minimizing Distractions
  - Managing Screen Time
- 11. Cultivating a Reading Routine Manual John Deere C Series 655
  - Setting Reading Goals Manual John Deere C Series 655
  - Carving Out Dedicated Reading Time
- 12. Sourcing Reliable Information of Manual John Deere C Series 655
  - Fact-Checking eBook Content of Manual John Deere C Series 655
  - Distinguishing Credible Sources

13. Promoting Lifelong Learning
  - Utilizing eBooks for Skill Development
  - Exploring Educational eBooks
14. Embracing eBook Trends
  - Integration of Multimedia Elements
  - Interactive and Gamified eBooks

### **Manual John Deere C Series 655 Introduction**

In the digital age, access to information has become easier than ever before. The ability to download Manual John Deere C Series 655 has revolutionized the way we consume written content. Whether you are a student looking for course material, an avid reader searching for your next favorite book, or a professional seeking research papers, the option to download Manual John Deere C Series 655 has opened up a world of possibilities. Downloading Manual John Deere C Series 655 provides numerous advantages over physical copies of books and documents. Firstly, it is incredibly convenient. Gone are the days of carrying around heavy textbooks or bulky folders filled with papers. With the click of a button, you can gain immediate access to valuable resources on any device. This convenience allows for efficient studying, researching, and reading on the go. Moreover, the cost-effective nature of downloading Manual John Deere C Series 655 has democratized knowledge. Traditional books and academic journals can be expensive, making it difficult for individuals with limited financial resources to access information. By offering free PDF downloads, publishers and authors are enabling a wider audience to benefit from their work. This inclusivity promotes equal opportunities for learning and personal growth. There are numerous websites and platforms where individuals can download Manual John Deere C Series 655. These websites range from academic databases offering research papers and journals to online libraries with an expansive collection of books from various genres. Many authors and publishers also upload their work to specific websites, granting readers access to their content without any charge. These platforms not only provide access to existing literature but also serve as an excellent platform for undiscovered authors to share their work with the world. However, it is essential to be cautious while downloading Manual John Deere C Series 655. Some websites may offer pirated or illegally obtained copies of copyrighted material. Engaging in such activities not only violates copyright laws but also undermines the efforts of authors, publishers, and researchers. To ensure ethical downloading, it is advisable to utilize reputable websites that prioritize the legal distribution of content. When downloading Manual John Deere C Series 655, users should also consider the potential security risks associated with online platforms. Malicious actors may exploit vulnerabilities in unprotected websites to distribute malware or steal personal information. To protect themselves, individuals should ensure their devices have reliable antivirus

software installed and validate the legitimacy of the websites they are downloading from. In conclusion, the ability to download Manual John Deere C Series 655 has transformed the way we access information. With the convenience, cost-effectiveness, and accessibility it offers, free PDF downloads have become a popular choice for students, researchers, and book lovers worldwide. However, it is crucial to engage in ethical downloading practices and prioritize personal security when utilizing online platforms. By doing so, individuals can make the most of the vast array of free PDF resources available and embark on a journey of continuous learning and intellectual growth.

### **FAQs About Manual John Deere C Series 655 Books**

How do I know which eBook platform is the best for me? Finding the best eBook platform depends on your reading preferences and device compatibility. Research different platforms, read user reviews, and explore their features before making a choice. Are free eBooks of good quality? Yes, many reputable platforms offer high-quality free eBooks, including classics and public domain works. However, make sure to verify the source to ensure the eBook credibility. Can I read eBooks without an eReader? Absolutely! Most eBook platforms offer webbased readers or mobile apps that allow you to read eBooks on your computer, tablet, or smartphone. How do I avoid digital eye strain while reading eBooks? To prevent digital eye strain, take regular breaks, adjust the font size and background color, and ensure proper lighting while reading eBooks. What the advantage of interactive eBooks? Interactive eBooks incorporate multimedia elements, quizzes, and activities, enhancing the reader engagement and providing a more immersive learning experience. Manual John Deere C Series 655 is one of the best book in our library for free trial. We provide copy of Manual John Deere C Series 655 in digital format, so the resources that you find are reliable. There are also many Ebooks of related with Manual John Deere C Series 655. Where to download Manual John Deere C Series 655 online for free? Are you looking for Manual John Deere C Series 655 PDF? This is definitely going to save you time and cash in something you should think about. If you trying to find then search around for online. Without a doubt there are numerous these available and many of them have the freedom. However without doubt you receive whatever you purchase. An alternate way to get ideas is always to check another Manual John Deere C Series 655. This method for see exactly what may be included and adopt these ideas to your book. This site will almost certainly help you save time and effort, money and stress. If you are looking for free books then you really should consider finding to assist you try this. Several of Manual John Deere C Series 655 are for sale to free while some are payable. If you arent sure if the books you would like to download works with for usage along with your computer, it is possible to download free trials. The free guides make it easy for someone to free access online library for download books to your device. You can get free download on free trial for lots of books categories. Our library is the biggest of these that have literally hundreds of thousands of

different products categories represented. You will also see that there are specific sites catered to different product types or categories, brands or niches related with Manual John Deere C Series 655. So depending on what exactly you are searching, you will be able to choose e books to suit your own need. Need to access completely for Campbell Biology Seventh Edition book? Access Ebook without any digging. And by having access to our ebook online or by storing it on your computer, you have convenient answers with Manual John Deere C Series 655 To get started finding Manual John Deere C Series 655, you are right to find our website which has a comprehensive collection of books online. Our library is the biggest of these that have literally hundreds of thousands of different products represented. You will also see that there are specific sites catered to different categories or niches related with Manual John Deere C Series 655 So depending on what exactly you are searching, you will be able to choose ebook to suit your own need. Thank you for reading Manual John Deere C Series 655. Maybe you have knowledge that, people have search numerous times for their favorite readings like this Manual John Deere C Series 655, but end up in harmful downloads. Rather than reading a good book with a cup of coffee in the afternoon, instead they juggled with some harmful bugs inside their laptop. Manual John Deere C Series 655 is available in our book collection an online access to it is set as public so you can download it instantly. Our digital library spans in multiple locations, allowing you to get the most less latency time to download any of our books like this one. Merely said, Manual John Deere C Series 655 is universally compatible with any devices to read.

### **Find Manual John Deere C Series 655 :**

[fodors complete guide to americas national parks](#)

**fly reels of the house of hardy**

[focus on physics electricity and magnetism i electrostatics](#)

[fnd colours](#)

[flying feet a mud flat story](#)

**flycycle 2 lives of a fly**

[focke-wulf fw 190 long nose an illustrated history of the fw 190 d series](#)

[fluorescent origami paper](#)

[focus on marijuana a drug alert](#)

*flying kipper henry green*

**folds blobs & boxes architecture in the digital era**

**focus on gramm software advanced focus gram.software advanced 5 pack**

*flying to pieces*



~~fodors 92 gold guides europe~~  
~~fly away peter.~~

**Manual John Deere C Series 655 :**

*etrusques les plus heureux des hommes furet du nord* - Mar 21 2022

web nov 28 2014 etrusques les plus heureux des hommes de plongez vous dans le livre dominique frère au format ajoutez le à votre liste de souhaits ou abonnez vous à l auteur dominique frère livraison gratuite à 0 01 dès 35 d achat furet du nord

**etrusques les plus heureux des hommes request pdf** - Aug 26 2022

web request pdf on jan 1 2014 dominique frère and others published etrusques les plus heureux des hommes find read and cite all the research you need on researchgate

**etrusques les plus heureux des hommes decitre** - Apr 21 2022

web nov 28 2014 le sous titre les plus heureux des hommes désigne les etrusques bien sûr mais aussi toutes celles et tous ceux qui ont eu la chance de travailler avec jean rené jannot à la réhabilitation d une des premières grandes civilisations européennes sommaire les etrusques et la musique les fouilles archeologiques

**dominique frère et laurent hugot dir Étrusques les plus heureux** - Jan 31 2023

web référence s dominique frère et laurent hugot dir Étrusques les plus heureux des hommes Études offertes au professeur jean rené jannot presses universitaires de rennes 2014 368 p 21 euros isbn 978 2 7535 3436 0

**etrusques les plus heureux des hommes rakuten** - Feb 17 2022

web etrusques les plus heureux des hommes pas cher retrouvez tous les produits disponibles à l achat dans notre catégorie histoire actualité politique en utilisant rakuten vous acceptez l utilisation des cookies permettant de vous proposer des contenus personnalisés et de réaliser des statistiques

**Étrusques les plus heureux des hommes searchworks catalog** - Sep 26 2022

web select search scope currently catalog all catalog articles website more in one search catalog books media more in the stanford libraries collections articles journal articles other e resources

**etrusques les plus heureux des hommes archive ouverte hal** - Aug 06 2023

web dominique frère laurent hugot dir etrusques les plus heureux des hommes presses universitaires de rennes 2014 hal 01077660

*etrusques les plus heureux des hommes decitre* - May 23 2022

web nov 27 2014 etrusques les plus heureux des hommes e book epub dominique frère laurent hugot collectif note moyenne donner le premier avis extrait pour approcher la réalité quotidienne et spirituelle de ce que fut la vie des Étrusques loin des

stéréotypes qui en font une société figée dans lire la suite 9 99 e book epub

**Étrusques les plus heureux des hommes worldcat org** - Jul 05 2023

web get this from a library Étrusques les plus heureux des hommes études offertes au professeur jean rené jannot dominique frère laurent hugot jean rené jannot les plus religieux des hommes la célèbre formule de tite live a forgé l idée d un peuple étrusque empreint de religiosité et particulièrement attentif au respect des rituels

**dominique frère et laurent dir Étrusques les plus heureux des** - Jun 04 2023

web dominique frère et laurent hugot dir Étrusques les plus heureux des hommes Études offertes au professeur jean rené jannot presses universitaires de rennes 2014 368 p 21 euros isbn 978 2 7535 3436 0 1 ce recueil de vingt trois études consacrées aux Étrusques nous permet de découvrir la

**Étrusques les plus heureux des hommes sommaire** - Oct 28 2022

web Étrusques le comptoir des presses d universités sommaire un nouveau lieu de rendez vous avec les sciences humaines et sociales au cœur de paris la fondation maison des sciences de l homme fmsh est heureuse d annoncer l ouverture du comptoir le lundi 5 décembre 2022 un lieu unique pour découvrir l univers des sciences humaines et

*Étrusques bibliographie de jean rené jannot presses* - Dec 30 2022

web bibliographie de jean rené jannot in Étrusques les plus heureux des hommes en ligne rennes presses universitaires de rennes 2014 généré le 03 octobre 2023 rennes presses universitaires de rennes 2014 généré le 03 octobre 2023

[etrusques les plus heureux des hommes academia edu](#) - May 03 2023

web etrusques les plus heureux des hommes etrusques les plus heureux des hommes laurent hugot dominique frère 2015 see full pdf download pdf see full pdf download pdf

**etrusques les plus heureux des hommes isidore** - Jul 25 2022

web dominique frère et al etrusques les plus heureux des hommes hyper article en ligne sciences de l homme et de la société id 10670 1 fmmx44 métriques partage export

**les plus heureux des hommes ebook epub fnac** - Mar 01 2023

web Étrusques les plus heureux des hommes télécharger un extrait résumé pour approcher la réalité quotidienne et spirituelle de ce que fut la vie des Étrusques loin des stéréotypes qui en font une société figée dans des croyances morbides et des pratiques rituelles contraignantes il est vital de changer de regard

**Étrusques introduction les plus heureux des hommes** - Oct 08 2023

web 2 avenue gaston berger cs 24307 f 35044 rennes cedex france un ouvrage récent offert à mme sybille haynes porte le titre éloquent de etruscan by definition cette très belle formule construite sous forme de jeu de mots à partir des premières études britanniques sur le monde étrusque qui portaient sur la définition of the

Étrusques les plus heureux des hommes - Nov 28 2022

web Étrusques les plus religieux des hommes la célèbre formule de tite live a forgé l idée d un peuple étrusque empreint de religiosité et particulièrement attentif au respect des rituels religieux et funéraires

**Étrusques les plus heureux des hommes hal shs sciences de** - Sep 07 2023

web etrusques etrurie domaines sciences de l homme et sociét laurent hugot dominique frère dir Étrusques les plus heureux des hommes etudes offertes au professeur jean rené jannot presses universitaires de rennes rennes 2014 halshs 03123482

**Étrusques presses universitaires de rennes openedition books** - Apr 02 2023

web Étrusques les plus heureux des hommes dominique frère et laurent hugot dir histoire les plus religieux des hommes la célèbre formule de tite live a forgé l idée d un peuple étrusque empreint de religiosité et particulièrement attentif au respect des rituels religieux et funéraires

Étrusques les plus heureux des hommes cultura - Jun 23 2022

web Étrusques les plus heureux des hommes par dominique frère laurent hugot pour approcher la réalité quotidienne et spirituelle de ce que fut la vie des Étrusques loin des stéréotypes qui en font une société figée dans des croyances m tout le catalogue tout le catalogue livre ebook fournitures scolaires beaux arts loisirs créatifs univers enfant

**lettischer wortschatz für das selbststudium 7000 wörter** - Mar 01 2023

web lettischer wortschatz für das selbststudium 7000 wörter 175 german collection von taranov andrey bei abebooks de isbn 10 1783148918 isbn 13 9781783148912 t p books 2013 softcover

lettischer wortschatz fur das selbststudium 7000 - Nov 28 2022

web lettischer wortschatz fur das selbststudium 7000 worter andrey taranov 2013 08 die vokabelbucher von t p books sind dafur vorgesehen ihnen beim lernen einer fremdsprache zu helfen worter zu memorisieren und zu wiederholen der wortschatz enthalt uber 7000 haufig gebrauchte thematisch geordnete worter

*german collection lettischer wortschatz für das selbststudium 7000* - Oct 28 2022

web german collection lettischer wortschatz für das selbststudium 7000 wörter paperback die vokabelbucher von t p books sind dafur vorgesehen ihnen german collection lettischer wortschatz für das selbststudium 7000 wörter bol com

**lettischer wortschatz für das selbststudium 7000 wörter** - Aug 06 2023

web lettischer wortschatz für das selbststudium 7000 wörter german collection band 175 taranov andrey isbn 9781783148912 kostenloser versand für alle bücher mit versand und verkauf duch amazon

**lettischer wortschatz fur das selbststudium 7000 woerter** - Jun 04 2023

web lettischer wortschatz für das selbststudium 7000 wörter finden sie alle bücher von taranov andrey bei der büchersuchmaschine eurobuch com können sie antiquarische und neubücher vergleichen und sofort zum bestpreis bestellen

9781783148912

lettischer wortschatz für das selbststudium 7000 wörter by - Feb 17 2022

web sep 14 2023 tag top 11 lettischer wortschatz für das selbststudium 3000 wörter lettischer wortschatz für das selbststudium 7000 wörter wortschatz grundschule deutsch als zweitsprache wortschatz berufe vocabulary professions deutsch

*9781783145829 lettischer wortschatz für das selbststudium 7000* - Apr 02 2023

web lettischer wortschatz für das selbststudium 7000 wörter finden sie alle bücher von andrey taranov bei der büchersuchmaschine eurobuch de können sie antiquarische und neubücher vergleichen und sofort zum bestpreis bestellen 9781783145829

**deutsch lettischer wortschatz für das selbststudium 7000** - Jul 05 2023

web lesen sie deutsch lettischer wortschatz für das selbststudium 7000 wörter von andrey taranov mit einer kostenlosen testversion lesen sie millionen von ebooks und hörbüchern im internet mit ipad iphone und android

deutsch lettischer wortschatz für das selbststudium 7000 wörter - Sep 07 2023

web rakuten kobo dan andrey taranov tarafından deutsch lettischer wortschatz für das selbststudium 7000 wörter kitabını okuyun die vokabelbücher von t amp p books sind dafür vorgesehen beim lernen einer fremdsprache zu helfen wörter zu memorisie

deutsch lettischer wortschatz für das selbststudium 7000 - Aug 26 2022

web deutsch lettischer wortschatz für das selbststudium 7000 wörter andrey taranov t p books des milliers de livres avec la livraison chez vous en 1 jour ou en magasin avec 5 de réduction

**lettischer wortschatz für das selbststudium 7000** - Mar 21 2022

web right here we have countless book lettischer wortschatz für das selbststudium 7000 and collections to check out we additionally meet the expense of variant types and with type of the books to browse

**deutsch lettischer wortschatz für das selbststudium 7000 wörter** - Sep 26 2022

web sep 17 2022 read deutsch lettischer wortschatz für das selbststudium 7000 wörter by andrey taranov available from rakuten kobo die vokabelbücher von t amp p books sind dafür vorgesehen beim lernen einer

deutsch lettischer wortschatz für das selbststudium overdrive - Dec 30 2022

web jul 17 2013 die vokabelbücher von t p books sind dafür vorgesehen ihnen beim lernen einer fremdsprache zu helfen wörter zu memorisieren und zu wiederholen der wortschatz enthält über 7000 häufig gebrauchte

*lettischer wortschatz für das selbststudium 7000 wörter* - Oct 08 2023

web lettischer wortschatz für das selbststudium 7000 wörter taranov andrey amazon com tr kitap

[lettischer wortschatz fur das selbststudium 7000 download](#) - Jun 23 2022

web lettischer wortschatz fur das selbststudium 5000 worter korean short stories for beginners lettischer wortschatz fur das selbststudium 7000 downloaded from solutions milnerbrowne com by guest allie oscar zielsprache deutsch t p books this book first published in 1981 examines the issues inspiring working class movements after

[lettischer wortschatz fur das selbststudium 7000 woerter](#) - May 03 2023

web aug 22 2013 9781783148912 lettischer wortschatz fur das selbststudium 7000 woerter av andrey taranov häftad tyska 2013 08 22 201 köp spara som favorit skickas från oss inom 7 10 vardagar fri frakt över 249 kr för privatkunder i sverige

**lettischer wortschatz fur das selbststudium 7000 book** - Jul 25 2022

web usbekischer wortschatz fur das selbststudium 7000 worter jul 09 2021 die vokabelbucher von t p books sind dafur vorgesehen ihnen beim lernen einer fremdsprache zu helfen worter zu memorisieren und zu wiederholen

**lettischer wortschatz für das selbststudium 7000 wörter by** - May 23 2022

web jun 17 2023 den wortschatz entdecken deutsch lettischer wortschatz für das selbststudium 7000 wortschatz aktiv mit deutsch florian krug ideen für daf wortschatz einstieg dw deutsch lernen vokabeln wortschatz arbeit b2 top 11 lettischer wortschatz fur das selbststudium 3000 worter deutsch lettischer wortschatz für das

**lettischer wortschatz für das selbststudium 7000 wörter by** - Apr 21 2022

web sep 8 2023 selbststudium 3000 worter deutsch lernen online grammatik wortschatz kurse deutsch lettischer wortschatz für das selbststudium 7000 wie viele wörter sollte ich können deutsch kasachischer wortschatz für das selbststudium wortschatz deutsch kostenlos online

**lettischer wortschatz für das selbststudium 7000 wörter 175** - Jan 31 2023

web lettischer wortschatz für das selbststudium 7000 wörter 175 taranov andrey amazon se böcker

[geography p1 june 2013 common test oecd pdf](#) - Feb 26 2023

web geography p1 june 2013 common test as recognized adventure as capably as experience approximately lesson amusement as capably as covenant can be gotten by just checking out a book

[geography p1 memorandum june 2014 common test](#) - Aug 23 2022

web inner city renewal 3 6 3 6 1 renovating and changing buildings in the urban areas to

[geography p1 june 2013 common test pdf secure mowtampa](#) - Nov 25 2022

web geography p1 june 2013 common test downloaded from secure mowtampa org by guest jakob aguilar the american community survey gcse geography edexcel b statistical power analysis is a nontechnical guide to power analysis in research planning that provides users of applied statistics with the tools they need for more effective

[geography p1 common test june 2013 memorandum](#) - Mar 30 2023

web geography p1 common test june 2013 memorandum 3 3 and complex emergencies it includes evidence based clinical guidance aimed specifically at resource limited situations as well as essential non clinical information relevant for people working in field operations and development the handbook provides clear recommendations from the experts

**kcse 2013 questions and answers schools net kenya** - Feb 14 2022

web 3 9 geography 312 3 9 1 geography paper 1 312 1 section a answer all the questions in this section 1 the diagram below represents the structure of the atmosphere use it to answer question a a name i the parts marked p and q 2 marks ii the layer of discontinuity marked r 1 mark

**csec geography multiple choice june 2013 paper 1 8smhgp** - Aug 03 2023

web csec geography multiple choice june 2013 paper 1 8smhgp free download as pdf file pdf or read online for free

**geography p1 june 2013 common test pdf** - Apr 30 2023

web geography p1 june 2013 common test 1 geography p1 june 2013 common test this is likewise one of the factors by obtaining the soft documents of this geography p1 june 2013 common test by online you might not require more grow old to spend to go to the books instigation as without difficulty as search for them

**geography p1 june 2013 common test pdf copy bukuclone ortax** - Oct 05 2023

web geography p1 june 2013 common test pdf pages 2 27 geography p1 june 2013 common test pdf upload mia i williamson 2 27 downloaded from bukuclone ortax org on september 13 2023 by mia i williamson developed theories and approaches employed in the western world the book investigates problems specific to emerging

*geography p1 common test june 2013 memorandum* - Mar 18 2022

web oct 30 2023 12 geography p1 february march 2013 quetion geography p1 common test june 2014 eastern cape memo geography 2013 june exam p1 and memo painting e4gle org grade 12 geography paper 1 feb mar mindset learn pdf geography grade 11 march previous question paper and

**geography p1 common test june 2013 memorandum pdf** - Oct 25 2022

web may 17 2023 guide geography p1 common test june 2013 memorandum as you such as by searching the title publisher or authors of guide you essentially want you can discover them rapidly in the house workplace or perhaps in your method can be all best area within net connections

**geography paper 1 june exam 2013 memo pdf uniport edu** - Dec 27 2022

web apr 8 2023 geography p1 common test june 2013 memorandum webmaths sg p1 2013 memo may june 211uwgrp org past exam papers for grade 12 geography set in all years read geography paper 1 2016 grade 12 memorandum silooo com geography memorandum p1 grade 12 november 2013

*geography p1 june 2013 common test pdf* - Jun 01 2023

web geography p1 june 2013 common test csec geography past paper may june 2013 paper 1 pov my gcse results vs what i predicted gcse gcse results gcse2022 results shorts video gcse vs igcse the real differences common exam mistakes geography paper 1 episode 1 the whole of aqa geography paper 1 23rd may

**geography p1 june 2013 common test pdf uniport edu** - Jan 28 2023

web jun 19 2023 this online statement geography p1 june 2013 common test can be one of the options to accompany you once having extra time it will not waste your time recognize me the e book will entirely reveal you extra event to read *geography p1 common test june 2013 memorandum* - Sep 23 2022

web geography p1 common test june 2013 memorandum 3 3 covers the multifaceted factors contributing to the rapidly growing childhood obesity epidemic includes new chapters on bmi and cardiovascular disease exercise neurotransmitters self regulation and prevention strategies examines strategies for

*geography p1 june 2013 common test pdf* - Jun 20 2022

web geography p1 june 2013 common test downloaded from mucho goldenpalace com by guest sofia bradshaw tallinn

manual on the international law applicable to cyber warfare john wiley sons

*geography p1 common test june 2013 memorandum read only* - Apr 18 2022

web geography p1 common test june 2013 memorandum 2010 11 26 4 7 geography p1 common test june 2013 memorandum policy memorandum uscis aug 26 2023 june 3 2013 pm 602 0085 policy memorandum subject requests for evidence and notices of intent to deny purpose the purpose of this policy

**csec geography 2013 multiple choice paper youtube** - Jul 02 2023

web jun 9 2020 215 7k views 3 years ago csec geography let us go through the 2013 geography multiple choice past paper and select the answers you will see how the questions are set up and easy ways to

*geohig111 dcc geography paper 1 theory mid year exam* - Sep 04 2023

web geohig111 dcc geography paper 1 theory mid year exam june2013 v5 pdf free download as pdf file geography p1 may june 2021 eng geography p1 may june geography p1 nov 2020 eng 2 demonic flaming gamer x geography p1 exemplar 2013 eng geography p1 exemplar 2013 eng thato motlhabane

**geography p1 june 2013 common test** - May 20 2022

web geography p1 june 2013 common test author whichissed visionaustralia org 2023 09 22 23 27 22 subject geography p1 june 2013 common test keywords geography p1 june 2013 common test created date 9 22 2023 11 27 22 pm

**geography p1 june 2013 common test copy logb fonedog** - Jul 22 2022

web jun 1 2013 right to use this on line revelation geography p1 june 2013 common test as competently as evaluation them wherever you are now geography p1 june 2013 common test downloaded from logb fonedog com by guest aleena ray how to

achieve inclusive growth oxford university press introducing social geographies is a major