

SECTION 1 Machine Parts and Functions

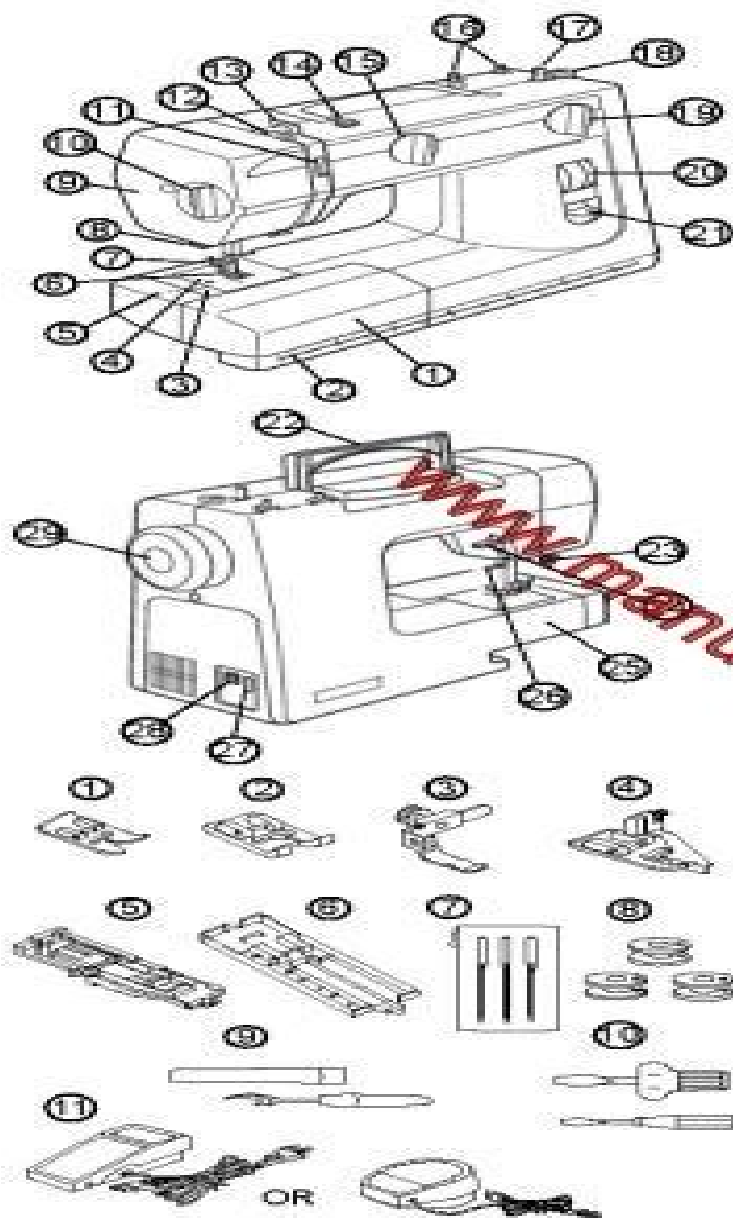
Part Names

1. Extension table (accessory storage box)
2. Centimeter/inch measurements
3. Bobbin cover
4. Needle plate
5. Circular sewing pivot points
6. Presser foot
7. Presser foot release lever
8. Thread cutter
9. Face plate
10. Foot pressure dial
11. Thread tension dial
12. Thread take-up lever
13. Thread guide
14. Bobbin winder thread guide
15. Stitch selection knob
16. Spool pins
17. Bobbin winder
18. Bobbin winder stop
19. Stitch length knob
20. Stitch width/needle position dial
21. Reverse stitch lever

22. Carrying handle
23. Buttonhole lever (Model 2130 only)
24. Presser foot lever
25. Free arm
26. Needle clamp screw
27. Machine socket
28. On/off switch
29. Wheel (always turn towards you)

Standard Accessories

1. Metal foot
2. Satin stitch foot (Model 2130 only)
3. Zipper foot (Model 2130 only)
4. Blind hem foot
5. R: Automatic buttonhole foot (Model 2130 only)
6. 4-step buttonhole foot (Model 2110 only)
7. Needles
8. Bobbins (4 total)
9. Seam ripper
10. Screwdrivers, large and small
11. Foot control
12. Vinyl dust cover



Elna 2110 Sewing Machine Manual

L. ROBINSON



Elna 2110 Sewing Machine Manual:

Recognizing the pretension ways to get this ebook **Elna 2110 Sewing Machine Manual** is additionally useful. You have remained in right site to begin getting this info. acquire the Elna 2110 Sewing Machine Manual partner that we provide here and check out the link.

You could purchase lead Elna 2110 Sewing Machine Manual or get it as soon as feasible. You could quickly download this Elna 2110 Sewing Machine Manual after getting deal. So, past you require the book swiftly, you can straight acquire it. Its suitably very simple and therefore fats, isnt it? You have to favor to in this song

<https://staging.conocer.cide.edu/data/publication/Documents/Life%20Science%20Paper2%202014%20Grade11.pdf>

Table of Contents Elna 2110 Sewing Machine Manual

1. Understanding the eBook Elna 2110 Sewing Machine Manual
 - The Rise of Digital Reading Elna 2110 Sewing Machine Manual
 - Advantages of eBooks Over Traditional Books
2. Identifying Elna 2110 Sewing Machine Manual
 - Exploring Different Genres
 - Considering Fiction vs. Non-Fiction
 - Determining Your Reading Goals
3. Choosing the Right eBook Platform
 - Popular eBook Platforms
 - Features to Look for in an Elna 2110 Sewing Machine Manual
 - User-Friendly Interface
4. Exploring eBook Recommendations from Elna 2110 Sewing Machine Manual
 - Personalized Recommendations
 - Elna 2110 Sewing Machine Manual User Reviews and Ratings
 - Elna 2110 Sewing Machine Manual and Bestseller Lists
5. Accessing Elna 2110 Sewing Machine Manual Free and Paid eBooks

- Elna 2110 Sewing Machine Manual Public Domain eBooks
 - Elna 2110 Sewing Machine Manual eBook Subscription Services
 - Elna 2110 Sewing Machine Manual Budget-Friendly Options
6. Navigating Elna 2110 Sewing Machine Manual eBook Formats
- ePub, PDF, MOBI, and More
 - Elna 2110 Sewing Machine Manual Compatibility with Devices
 - Elna 2110 Sewing Machine Manual Enhanced eBook Features
7. Enhancing Your Reading Experience
- Adjustable Fonts and Text Sizes of Elna 2110 Sewing Machine Manual
 - Highlighting and Note-Taking Elna 2110 Sewing Machine Manual
 - Interactive Elements Elna 2110 Sewing Machine Manual
8. Staying Engaged with Elna 2110 Sewing Machine Manual
- Joining Online Reading Communities
 - Participating in Virtual Book Clubs
 - Following Authors and Publishers Elna 2110 Sewing Machine Manual
9. Balancing eBooks and Physical Books Elna 2110 Sewing Machine Manual
- Benefits of a Digital Library
 - Creating a Diverse Reading Collection Elna 2110 Sewing Machine Manual
10. Overcoming Reading Challenges
- Dealing with Digital Eye Strain
 - Minimizing Distractions
 - Managing Screen Time
11. Cultivating a Reading Routine Elna 2110 Sewing Machine Manual
- Setting Reading Goals Elna 2110 Sewing Machine Manual
 - Carving Out Dedicated Reading Time
12. Sourcing Reliable Information of Elna 2110 Sewing Machine Manual
- Fact-Checking eBook Content of Elna 2110 Sewing Machine Manual
 - Distinguishing Credible Sources
13. Promoting Lifelong Learning
- Utilizing eBooks for Skill Development

- Exploring Educational eBooks

14. Embracing eBook Trends

- Integration of Multimedia Elements
- Interactive and Gamified eBooks

Elna 2110 Sewing Machine Manual Introduction

In today's digital age, the availability of Elna 2110 Sewing Machine Manual books and manuals for download has revolutionized the way we access information. Gone are the days of physically flipping through pages and carrying heavy textbooks or manuals. With just a few clicks, we can now access a wealth of knowledge from the comfort of our own homes or on the go. This article will explore the advantages of Elna 2110 Sewing Machine Manual books and manuals for download, along with some popular platforms that offer these resources. One of the significant advantages of Elna 2110 Sewing Machine Manual books and manuals for download is the cost-saving aspect. Traditional books and manuals can be costly, especially if you need to purchase several of them for educational or professional purposes. By accessing Elna 2110 Sewing Machine Manual versions, you eliminate the need to spend money on physical copies. This not only saves you money but also reduces the environmental impact associated with book production and transportation. Furthermore, Elna 2110 Sewing Machine Manual books and manuals for download are incredibly convenient. With just a computer or smartphone and an internet connection, you can access a vast library of resources on any subject imaginable. Whether you're a student looking for textbooks, a professional seeking industry-specific manuals, or someone interested in self-improvement, these digital resources provide an efficient and accessible means of acquiring knowledge. Moreover, PDF books and manuals offer a range of benefits compared to other digital formats. PDF files are designed to retain their formatting regardless of the device used to open them. This ensures that the content appears exactly as intended by the author, with no loss of formatting or missing graphics. Additionally, PDF files can be easily annotated, bookmarked, and searched for specific terms, making them highly practical for studying or referencing. When it comes to accessing Elna 2110 Sewing Machine Manual books and manuals, several platforms offer an extensive collection of resources. One such platform is Project Gutenberg, a nonprofit organization that provides over 60,000 free eBooks. These books are primarily in the public domain, meaning they can be freely distributed and downloaded. Project Gutenberg offers a wide range of classic literature, making it an excellent resource for literature enthusiasts. Another popular platform for Elna 2110 Sewing Machine Manual books and manuals is Open Library. Open Library is an initiative of the Internet Archive, a non-profit organization dedicated to digitizing cultural artifacts and making them accessible to the public. Open Library hosts millions of books, including both public domain works and contemporary titles. It also allows users to borrow digital copies of certain books for a limited period, similar to a library.

lending system. Additionally, many universities and educational institutions have their own digital libraries that provide free access to PDF books and manuals. These libraries often offer academic texts, research papers, and technical manuals, making them invaluable resources for students and researchers. Some notable examples include MIT OpenCourseWare, which offers free access to course materials from the Massachusetts Institute of Technology, and the Digital Public Library of America, which provides a vast collection of digitized books and historical documents. In conclusion, Elna 2110 Sewing Machine Manual books and manuals for download have transformed the way we access information. They provide a cost-effective and convenient means of acquiring knowledge, offering the ability to access a vast library of resources at our fingertips. With platforms like Project Gutenberg, Open Library, and various digital libraries offered by educational institutions, we have access to an ever-expanding collection of books and manuals. Whether for educational, professional, or personal purposes, these digital resources serve as valuable tools for continuous learning and self-improvement. So why not take advantage of the vast world of Elna 2110 Sewing Machine Manual books and manuals for download and embark on your journey of knowledge?

FAQs About Elna 2110 Sewing Machine Manual Books

What is a Elna 2110 Sewing Machine Manual PDF? A PDF (Portable Document Format) is a file format developed by Adobe that preserves the layout and formatting of a document, regardless of the software, hardware, or operating system used to view or print it. **How do I create a Elna 2110 Sewing Machine Manual PDF?** There are several ways to create a PDF: Use software like Adobe Acrobat, Microsoft Word, or Google Docs, which often have built-in PDF creation tools. Print to PDF: Many applications and operating systems have a "Print to PDF" option that allows you to save a document as a PDF file instead of printing it on paper. Online converters: There are various online tools that can convert different file types to PDF. **How do I edit a Elna 2110 Sewing Machine Manual PDF?** Editing a PDF can be done with software like Adobe Acrobat, which allows direct editing of text, images, and other elements within the PDF. Some free tools, like PDFescape or Smallpdf, also offer basic editing capabilities. **How do I convert a Elna 2110 Sewing Machine Manual PDF to another file format?** There are multiple ways to convert a PDF to another format: Use online converters like Smallpdf, Zamzar, or Adobe Acrobats export feature to convert PDFs to formats like Word, Excel, JPEG, etc. Software like Adobe Acrobat, Microsoft Word, or other PDF editors may have options to export or save PDFs in different formats. **How do I password-protect a Elna 2110 Sewing Machine Manual PDF?** Most PDF editing software allows you to add password protection. In Adobe Acrobat, for instance, you can go to "File" -> "Properties" -> "Security" to set a password to restrict access or editing capabilities. Are there any free alternatives to Adobe Acrobat for working with PDFs? Yes, there are many free alternatives

for working with PDFs, such as: LibreOffice: Offers PDF editing features. PDFsam: Allows splitting, merging, and editing PDFs. Foxit Reader: Provides basic PDF viewing and editing capabilities. How do I compress a PDF file? You can use online tools like Smallpdf, ILovePDF, or desktop software like Adobe Acrobat to compress PDF files without significant quality loss. Compression reduces the file size, making it easier to share and download. Can I fill out forms in a PDF file? Yes, most PDF viewers/editors like Adobe Acrobat, Preview (on Mac), or various online tools allow you to fill out forms in PDF files by selecting text fields and entering information. Are there any restrictions when working with PDFs? Some PDFs might have restrictions set by their creator, such as password protection, editing restrictions, or print restrictions. Breaking these restrictions might require specific software or tools, which may or may not be legal depending on the circumstances and local laws.

Find Elna 2110 Sewing Machine Manual :

[life science paper2 2014 grade11](#)

[life science lab manual](#)

[life science pgrd2014](#)

life science common paper grade12013

life science grade 1exams 1march 2question paper

[life science all practical memo 2014 memo](#)

life science grade 10 examination2014 paper 2

[life science practical3 grade 12](#)

[life science march february 2guide common paper grade12](#)

life science p2 grade 10 memorandum final exam 2014

[life science grade1exampler](#)

life science paper grade 1scope

[life science november exam memorandum exemplar](#)

[life science grade12014 scope](#)

life orientation task grade1term one

Elna 2110 Sewing Machine Manual :

Cengage Advantage Books: American Government and ... New features, up-to-date political news and analysis, and a great

price make AMERICAN GOVERNMENT AND POLITICS TODAY: BRIEF EDITION, 2014-2015 a top seller. BUNDLE (2) AMERICAN GOVERNMENT AND POLITICS ... New features, up-to-date political news and analysis, and a great price make AMERICAN GOVERNMENT AND POLITICS TODAY: BRIEF EDITION, 2014-2015 a top seller. American Government and Politics Today, Brief Edition, ... Praised for its balanced coverage, the book examines all the key concepts of American government, while providing exciting student-oriented features that focus ... American Government and Politics Today, 2014-2015 - ... New features, up-to-date political news and analysis, and a great price make AMERICAN GOVERNMENT AND POLITICS TODAY: BRIEF EDITION, 2014-2015 a top seller. American Government and Politics Today, Brief Edition ... American Government and Politics Today 2014-2015 Brief Edition Steffen W. Schmidt Iowa State University Mack C. Shelley II Iowa ... 9781285436388_00a_fm_0i ... American Government and Politics Today, Brief Edition ... American Government and Politics Today, Brief Edition, 2014-2015. Condition is "Good". Shipped with USPS Priority Mail. Final sale. American Government and Politics Today, Brief Edition ... Cengage Advantage Books: American Government and Politics Today, Brief Edition, 2014-2015 ebook (1 Year Access) Steffen W Schmidt | Get Textbooks American Government and Politics Today, Brief Edition, 2014-2015 (Book Only) ... American Government and Politics Today, Brief Edition, 2012-2013 by Steffen W ... Cengage Advantage Books: American Government and ... New features, up-to-date political news and analysis, and a great price make AMERICAN GOVERNMENT AND POLITICS TODAY: BRIEF EDITION, 2014-2015 a top seller. Cengage Advantage Books: American Government and ... Cengage Advantage Books: American Government and Politics Today, Brief Edition, 2014-2015 (with CourseMate Printed Access Card). by Schmidt, Steffen W., ... anatomy+physiology-connect access ANATOMY+PHYSIOLOGY-CONNECT ACCESS [Michael McKinley, Valerie O'Loughlin ... Printed Access Code, 0 pages. ISBN-10, 1264265395. ISBN-13, 978-1264265398. Item ... Anatomy & Physiology: An Integrative Approach Note: Connect access NOT included. If Connect is required for your course, click the "Connect" tab. Watch to learn more about the eBook. \$59.00. Rent Now. View ... Connect Access Card for Anatomy & Physiology: ... Amazon.com: Connect Access Card for Anatomy & Physiology: 9781259133008: McKinley, Michael, O'Loughlin, Valerie, Bidle, Theresa: Books. Anatomy and Physiology - Connect Access Access Card 4th Find 9781264265398 Anatomy and Physiology - Connect Access Access Card 4th Edition by Michael Mckinley et al at over 30 bookstores. Buy, rent or sell. Connect Access Card for Anatomy & Physiology - McKinley ... Connect Access Card for Anatomy & Physiology by McKinley, Michael; O'Loughlin, Valerie; Bidle, Theresa - ISBN 10: 1259133001 - ISBN 13: 9781259133008 ... Connect Access Card for Anatomy & Physiology McKinley, Michael; O'Loughlin, Valerie; Bidle, Theresa ... Synopsis: Connect is the only integrated learning system that empowers students by continuously ... Connect APR & PHILS Online Access for... by Publisher access codes are passwords granting access to online teaching and learning tools. The digital coursework, including class assignments, rich content, ... anatomy+physiology-connect access ANATOMY+PHYSIOLOGY-CONNECT ACCESS (ISBN-13: 9781264265398 and ISBN-10: 1264265395),

written by authors McKinley, Michael, OLoughlin, Valerie, Bidle, ... Connect 1-Semester Access Card for Human Anatomy ... Connect 1-Semester Access Card for Human Anatomy, Printed Access Code, 4 Edition by McKinley, Michael ; Sold Out. \$98.50 USD ; Printed Access Code: 4 Edition Anatomy and Physiology - McGraw Hill Connect Online Access for Anatomy & Physiology Digital Suite with Virtual Labs, APR, Practice. A&P Digital Suite McGraw Hill 1st edition | 2021©. The A&P ...

Graphic Design History: A Critical Guide - Amazon.com This is a really great book. It's informative, it's thorough and if you enjoy history, or even if you don't, it's interesting to read. It's especially good for ...

Graphic Design History (Mysearchlab): 9780205219469 Graphic Design History, 2nd edition is a critical approach to the history of graphic design. Organized chronologically, the book demonstrates the connection to ...

Graphic Design History Graphic Design History, 2nd edition is a critical approach to the history of graphic design. Organized chronologically, the book demonstrates the connection ...

Graphic Design History: A Critical Guide A Fresh Look at the History of Graphic Design Graphic Design History, 2nd edition is a critical approach to the history of graphic design. Graphic design history : a critical guide - Merrimack College Graphic design history : a critical guide / Johanna Drucker, Emily Mcvarish. · ISBN: 0132410753 (alk. paper) · ISBN: 9780132410755 (alk. paper) ...

Graphic Design History: A Critical Guide Graphic Design History traces the social and cultural role of visual communication from prehistory to the present, connecting what designers do every day to ...

Graphic design history : a critical guide From prehistory to early writing -- Classical literacy -- Medieval letterforms and book formats -- Renaissance design: standardization and modularization in ...

Graphic Design History: a Critical Guide by Drucker, Johanna Graphic Design History: A Critical Guide by McVarish, Emily, Drucker, Johanna and a great selection of related books, art and collectibles available now at ...

Graphic Design History: A Critical Guide Feb 1, 2008 — Graphic Design History traces the social and cultural role of visual communication from prehistory to the present, connecting what designers ...