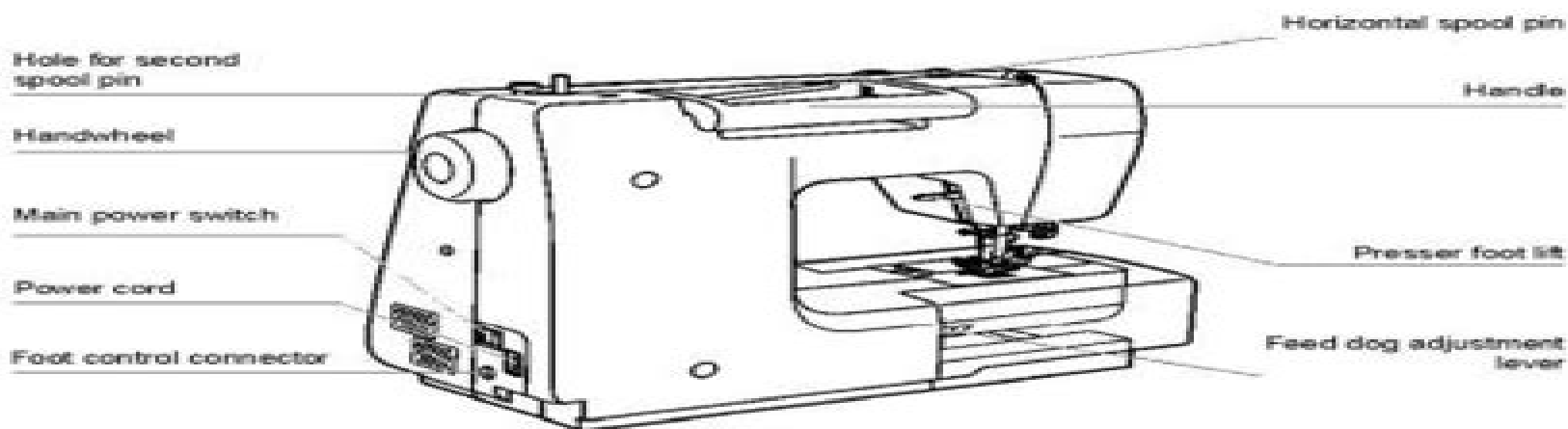
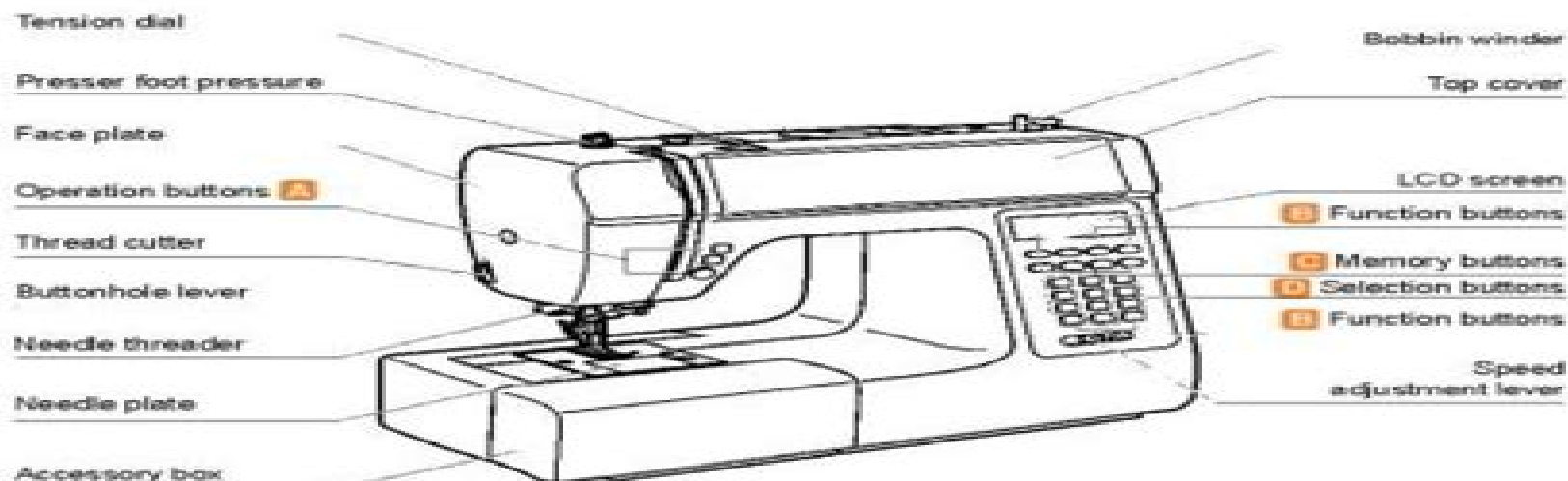


PRINCIPAL PARTS OF THE MACHINE



Huskystar C10 Sewing Machine Manual

Tao Wei



Huskystar C10 Sewing Machine Manual:

The Sewing Machine Manual WENDY. GARDINER,2023-07-13 **The Sewing Machine Manual** Wendy Gardiner,2022
Instruction Manual for Sewing Machine Necchi S.p.A.,2006 Student's Manual of Machine Sewing Singer Sewing
Machine Company,1941 **Manual of Family Sewing Machines** Singer Sewing Machine Company,1914 **User's**
Manual, White Rotary Electric Sewing Machines ,19?? **A Manual of Family Sewing Machines** Singer Sewing
Machine Company,1923 Student's Manual Singer Sewing Machine Company. Educational Department,1960 *User's*
Manual, White Rotary Electric Sewing Machines White Sewing Machine Company,1946* **Sewing Machine Service**
Manual L. ROBINSON,1972 *Manual of Family Sewing Machines and Their Attachments* MANUAL.,1963 **A Manual**
of Family Sewing Machines and Their Attachments ,19?? **A Manual of Family Sewing Machines and Their**
Attachments Singer Sewing Machine Co. Ltd, **Robinson's Sewing Machine Service Manual** Lee Robinson,1972
Operation Manual ,2018 **Operation Manual** ,2018 Singer Student's Manual of Machine Sewing Singer Sewing
Machine Company,1953 *A Manual of Family Sewing Machines* Singer Sewing Machine Co.Ltd, **Sewing machine**
manual Denis Murphy,1984 *Student's Manual of Machine Sewing, Specially Prepared for Students in Schools and*
Colleges Singer Sewing Machine Company. Educational Department,1941

Fuel your quest for knowledge with is thought-provoking masterpiece, Explore **Huskystar C10 Sewing Machine Manual** . This educational ebook, conveniently sized in PDF (Download in PDF: *), is a gateway to personal growth and intellectual stimulation. Immerse yourself in the enriching content curated to cater to every eager mind. Download now and embark on a learning journey that promises to expand your horizons. .

<https://staging.conocer.cide.edu/results/virtual-library/HomePages/Hymns%20Of%20Power.pdf>

Table of Contents Huskystar C10 Sewing Machine Manual

1. Understanding the eBook Huskystar C10 Sewing Machine Manual
 - The Rise of Digital Reading Huskystar C10 Sewing Machine Manual
 - Advantages of eBooks Over Traditional Books
2. Identifying Huskystar C10 Sewing Machine Manual
 - Exploring Different Genres
 - Considering Fiction vs. Non-Fiction
 - Determining Your Reading Goals
3. Choosing the Right eBook Platform
 - Popular eBook Platforms
 - Features to Look for in an Huskystar C10 Sewing Machine Manual
 - User-Friendly Interface
4. Exploring eBook Recommendations from Huskystar C10 Sewing Machine Manual
 - Personalized Recommendations
 - Huskystar C10 Sewing Machine Manual User Reviews and Ratings
 - Huskystar C10 Sewing Machine Manual and Bestseller Lists
5. Accessing Huskystar C10 Sewing Machine Manual Free and Paid eBooks
 - Huskystar C10 Sewing Machine Manual Public Domain eBooks
 - Huskystar C10 Sewing Machine Manual eBook Subscription Services
 - Huskystar C10 Sewing Machine Manual Budget-Friendly Options

6. Navigating Huskystar C10 Sewing Machine Manual eBook Formats
 - ePub, PDF, MOBI, and More
 - Huskystar C10 Sewing Machine Manual Compatibility with Devices
 - Huskystar C10 Sewing Machine Manual Enhanced eBook Features
7. Enhancing Your Reading Experience
 - Adjustable Fonts and Text Sizes of Huskystar C10 Sewing Machine Manual
 - Highlighting and Note-Taking Huskystar C10 Sewing Machine Manual
 - Interactive Elements Huskystar C10 Sewing Machine Manual
8. Staying Engaged with Huskystar C10 Sewing Machine Manual
 - Joining Online Reading Communities
 - Participating in Virtual Book Clubs
 - Following Authors and Publishers Huskystar C10 Sewing Machine Manual
9. Balancing eBooks and Physical Books Huskystar C10 Sewing Machine Manual
 - Benefits of a Digital Library
 - Creating a Diverse Reading Collection Huskystar C10 Sewing Machine Manual
10. Overcoming Reading Challenges
 - Dealing with Digital Eye Strain
 - Minimizing Distractions
 - Managing Screen Time
11. Cultivating a Reading Routine Huskystar C10 Sewing Machine Manual
 - Setting Reading Goals Huskystar C10 Sewing Machine Manual
 - Carving Out Dedicated Reading Time
12. Sourcing Reliable Information of Huskystar C10 Sewing Machine Manual
 - Fact-Checking eBook Content of Huskystar C10 Sewing Machine Manual
 - Distinguishing Credible Sources
13. Promoting Lifelong Learning
 - Utilizing eBooks for Skill Development
 - Exploring Educational eBooks
14. Embracing eBook Trends
 - Integration of Multimedia Elements

- Interactive and Gamified eBooks

Huskystar C10 Sewing Machine Manual Introduction

In today's digital age, the availability of Huskystar C10 Sewing Machine Manual books and manuals for download has revolutionized the way we access information. Gone are the days of physically flipping through pages and carrying heavy textbooks or manuals. With just a few clicks, we can now access a wealth of knowledge from the comfort of our own homes or on the go. This article will explore the advantages of Huskystar C10 Sewing Machine Manual books and manuals for download, along with some popular platforms that offer these resources. One of the significant advantages of Huskystar C10 Sewing Machine Manual books and manuals for download is the cost-saving aspect. Traditional books and manuals can be costly, especially if you need to purchase several of them for educational or professional purposes. By accessing Huskystar C10 Sewing Machine Manual versions, you eliminate the need to spend money on physical copies. This not only saves you money but also reduces the environmental impact associated with book production and transportation. Furthermore, Huskystar C10 Sewing Machine Manual books and manuals for download are incredibly convenient. With just a computer or smartphone and an internet connection, you can access a vast library of resources on any subject imaginable. Whether you're a student looking for textbooks, a professional seeking industry-specific manuals, or someone interested in self-improvement, these digital resources provide an efficient and accessible means of acquiring knowledge. Moreover, PDF books and manuals offer a range of benefits compared to other digital formats. PDF files are designed to retain their formatting regardless of the device used to open them. This ensures that the content appears exactly as intended by the author, with no loss of formatting or missing graphics. Additionally, PDF files can be easily annotated, bookmarked, and searched for specific terms, making them highly practical for studying or referencing. When it comes to accessing Huskystar C10 Sewing Machine Manual books and manuals, several platforms offer an extensive collection of resources. One such platform is Project Gutenberg, a nonprofit organization that provides over 60,000 free eBooks. These books are primarily in the public domain, meaning they can be freely distributed and downloaded. Project Gutenberg offers a wide range of classic literature, making it an excellent resource for literature enthusiasts. Another popular platform for Huskystar C10 Sewing Machine Manual books and manuals is Open Library. Open Library is an initiative of the Internet Archive, a non-profit organization dedicated to digitizing cultural artifacts and making them accessible to the public. Open Library hosts millions of books, including both public domain works and contemporary titles. It also allows users to borrow digital copies of certain books for a limited period, similar to a library lending system. Additionally, many universities and educational institutions have their own digital libraries that provide free access to PDF books and manuals. These libraries often offer academic texts, research papers, and technical manuals, making them invaluable resources for students and researchers. Some notable examples include MIT OpenCourseWare,

which offers free access to course materials from the Massachusetts Institute of Technology, and the Digital Public Library of America, which provides a vast collection of digitized books and historical documents. In conclusion, Huskystar C10 Sewing Machine Manual books and manuals for download have transformed the way we access information. They provide a cost-effective and convenient means of acquiring knowledge, offering the ability to access a vast library of resources at our fingertips. With platforms like Project Gutenberg, Open Library, and various digital libraries offered by educational institutions, we have access to an ever-expanding collection of books and manuals. Whether for educational, professional, or personal purposes, these digital resources serve as valuable tools for continuous learning and self-improvement. So why not take advantage of the vast world of Huskystar C10 Sewing Machine Manual books and manuals for download and embark on your journey of knowledge?

FAQs About Huskystar C10 Sewing Machine Manual Books

What is a Huskystar C10 Sewing Machine Manual PDF? A PDF (Portable Document Format) is a file format developed by Adobe that preserves the layout and formatting of a document, regardless of the software, hardware, or operating system used to view or print it. **How do I create a Huskystar C10 Sewing Machine Manual PDF?** There are several ways to create a PDF: Use software like Adobe Acrobat, Microsoft Word, or Google Docs, which often have built-in PDF creation tools. Print to PDF: Many applications and operating systems have a "Print to PDF" option that allows you to save a document as a PDF file instead of printing it on paper. Online converters: There are various online tools that can convert different file types to PDF. **How do I edit a Huskystar C10 Sewing Machine Manual PDF?** Editing a PDF can be done with software like Adobe Acrobat, which allows direct editing of text, images, and other elements within the PDF. Some free tools, like PDFescape or Smallpdf, also offer basic editing capabilities. **How do I convert a Huskystar C10 Sewing Machine Manual PDF to another file format?** There are multiple ways to convert a PDF to another format: Use online converters like Smallpdf, Zamzar, or Adobe Acrobats export feature to convert PDFs to formats like Word, Excel, JPEG, etc. Software like Adobe Acrobat, Microsoft Word, or other PDF editors may have options to export or save PDFs in different formats. **How do I password-protect a Huskystar C10 Sewing Machine Manual PDF?** Most PDF editing software allows you to add password protection. In Adobe Acrobat, for instance, you can go to "File" -> "Properties" -> "Security" to set a password to restrict access or editing capabilities. Are there any free alternatives to Adobe Acrobat for working with PDFs? Yes, there are many free alternatives for working with PDFs, such as: LibreOffice: Offers PDF editing features. PDFsam: Allows splitting, merging, and editing PDFs. Foxit Reader: Provides basic PDF viewing and editing capabilities. How do I compress a PDF file? You can use online tools like Smallpdf, ILovePDF, or desktop software like Adobe Acrobat to compress PDF files without

significant quality loss. Compression reduces the file size, making it easier to share and download. Can I fill out forms in a PDF file? Yes, most PDF viewers/editors like Adobe Acrobat, Preview (on Mac), or various online tools allow you to fill out forms in PDF files by selecting text fields and entering information. Are there any restrictions when working with PDFs? Some PDFs might have restrictions set by their creator, such as password protection, editing restrictions, or print restrictions. Breaking these restrictions might require specific software or tools, which may or may not be legal depending on the circumstances and local laws.

Find Huskystar C10 Sewing Machine Manual :

[hymns of power](#)

[hymns we love to sing](#)

[i am a child](#)

[husband-hoppin honey](#)

i and thou

[i am om](#)

[hunters of gor gor 8 dachille cover](#)

[i bet i can i bet you cant](#)

hydrolysis of cellulose mechanisms of enzymatic and acid catalysis

hunter and stripe and the soccer showdown

[hye space explorer the earth hardback](#)

[hypericum contra depression](#)

[hydrogeologic framework of new jersey](#)

[hymns of the faith dhammapada 1902](#)

i can be an astronomer

Huskystar C10 Sewing Machine Manual :

[8 7 biogeochemical cycles microbiology openstax](#) - Mar 14 2022

web the six most common elements associated with organic molecules carbon hydrogen nitrogen oxygen phosphorus and sulfur take a variety of chemical forms and may exist for long periods in the atmosphere on land in water or beneath earth s surface

[venn diagram of the carbon and nitrogen cycle classic creately](#) - Jun 28 2023

web venn diagram of the carbon and nitrogen cycle classic by alex phillip edit this template use creately s easy online diagram editor to edit this diagram collaborate with others and export results to multiple image formats you can easily edit this template using creately

carbon and nitrogen cycles venn diagram by kyle benefield prezi - Sep 19 2022

web mar 11 2011 compare and contrast the nitrogen cycle and carbon cycle carbon cycle the continuous process by which carbon is exchanged between organisms and the environment important processes in the carbon cycle are photosynthesis deposition and decomposition carbon dioxide is absorbed

carbon and water cycle venn diagram bespoke cityam - Feb 10 2022

web explained with diagram the most recent factor affecting the oxygen cycle of the what are the differences between the carbon cycle and the water cycle wikipedia this water cycle

nitrogen and carbon cycle venn diagram by jennifer meas prezi - Jun 16 2022

web mar 11 2011 both cycles can transfer either carbon or nitrogen from the ocean to the atmosphere or vice versa both undergo chemical transformation that alter the form of the molecules containing them both involves releasing the element in a molecular form into the atmosphere both begin the cycle as gases and finsihes as gases

the carbon cycle material cycling in ecosystems bbc - Nov 21 2022

web learn about and revise the cycling of materials including nitrogen carbon and water with gcse bitesize combined science

carbon cycle understanding global change - Oct 21 2022

web locate the carbon cycle icon and identify other earth system processes and phenomena that cause changes to or are affected by the cycling of carbon what is the carbon cycle carbon is transferred between the ocean atmosphere soil and living things over time scales of hours to centuries

[the carbon cycle article khan academy](#) - Mar 26 2023

web a diagram shows processes within the carbon cycle connected by arrows indicating the flow of carbon within and between the atmosphere land and ocean processes that cycle carbon between the air and the surface include the burning of fossil fuels and wood volcanic eruptions terrestrial and marine photosynthesis and air sea gas exchange

water carbon and nitrogen cycles diagram quizlet - Aug 19 2022

web the continuous process by which water moves from earth s surface to the atmosphere and back carbon cycle the movement of carbon through the environment condensation when water vapor a gas cools and changes back into a liquid creating clouds evaporation heat from the sun changes liquid water to water vapor as it rises into the

water vs carbon cycle classic creately - Aug 31 2023

web venn diagram water vs carbon cycle classic by ellie o edit this template use creately s easy online diagram editor to edit this diagram collaborate with others and export results to multiple image formats edit this template you can easily edit this template using creately s venn diagram maker

carbon and water cycle venn diagram tom theis pdf - Apr 14 2022

web carbon and water cycle venn diagram recognizing the way ways to acquire this books carbon and water cycle venn diagram is additionally useful you have remained in right site to begin getting this info acquire the carbon and water cycle venn diagram join that we have the funds for here and check out the link

the carbon cycle article ecology khan academy - May 28 2023

web the carbon cycle the carbon cycle is most easily studied as two interconnected subcycles one dealing with rapid carbon exchange among living organisms one dealing with long term cycling of carbon through geologic processes although we will look at them separately it s important to realize these cycles are linked

carbon cycle wikipedia - Apr 26 2023

web the movement of terrestrial carbon in the water cycle is shown in the diagram on the right and explained below atmospheric particles act as cloud condensation nuclei promoting cloud formation raindrops absorb organic and inorganic carbon through particle scavenging and adsorption of organic vapors while falling toward earth

the carbon cycle organisation of an ecosystem aqa bbc - Jul 18 2022

web learn more about the carbon cycle with dr alex lathbridge listen to the full series on bbc sounds explore what happens to carbon at each stage of the cycle and the different processes involved

biogeochemical cycles introductory biology evolutionary and - Jan 24 2023

web the carbon cycle is most easily studied as two interconnected subcycles one dealing with rapid carbon exchange among living organisms and the other dealing with the long term cycling of carbon through geologic processes the entire carbon cycle is shown in figure 3 figure 3 carbon dioxide gas exists in the atmosphere and is dissolved in

3 circle venn venn diagram example 3 circle venn diagram venn - Jan 12 2022

web the venn diagrams visualize all possible logical intersections between several sets on this example you can see the intersections of 3 sets venn diagrams are widely used in mathematics logic statistics marketing sociology etc life cycle circle template research life cycle diagrams show a very linear chronological process but it is

carbon cycle definition steps importance diagram facts - Dec 23 2022

web sep 22 2023 carbon cycle in biology circulation of carbon in various forms through nature carbon is a constituent of all organic compounds many of which are essential to life on earth the source of the carbon found in living matter is carbon dioxide in the air or dissolved in water

the water cycle article ecology khan academy - Feb 22 2023

web the water cycle is important in itself and patterns of water cycling and rainfall have major effects on earth s ecosystems however rainfall and surface runoff also play important roles in the cycling of various elements these include carbon nitrogen phosphorus and sulfur

water and carbon cycling royal geographical society - Jul 30 2023

web 1 water and carbon cycles cycling of carbon and water are central to supporting life on earth and an understanding of these cycles underpins some of the most difficult international challenges of our times both these cycles are included in the core content elements of the specifications for a level geography to be first taught from 20161

water cycle wikipedia - May 16 2022

web diagram depicting the global water cycle the water cycle also known as the hydrologic cycle or the hydrological cycle is a biogeochemical cycle that describes the continuous movement of water on above and below the surface of the earth

pra c paration a la certification rhcsa red hat e download - Sep 26 2022

web jan 6 2023 pra c paration a la certification rhcsa red hat e is available in our book collection an online access to it is set as public so you can get it instantly our books

pra c paration a la certification rhcsa red hat e pdf copy - Jul 25 2022

web sep 12 2023 pra c paration a la certification rhcsa red hat e 1 15 downloaded from uniport edu ng on september 12 2023 by guest pra c paration a la certification

pra c paration a la certification rhcsa red hat e robert - Jan 31 2023

web already certified browse more red hat training courses why should i consider getting rhcsa certified the rhcsa certification offers many benefits positioning

rhcsa red hat certified system administrator - Dec 30 2022

web rhcsa certification exam the performance based red hat certified system administrator rhcsa exam ex200 tests your knowledge in areas of system

pra c paration a la certification rhcsa red hat e 2023 mail - Jan 19 2022

web based on red hat enterprise linux 7 the new edition of this bestselling study guide covers the updated red hat certified system administrator rhcsa and red hat certified

rhce and rhcsa red hat - Aug 06 2023

web jul 15 2023 merely said the pra c paration a la certification rhcsa red hat e is universally compatible past any devices to read rhce bill mccarty 2006 02 20 the

pra c paration a la certification rhcsa red hat e 2022 ftp - Apr 21 2022

web jun 8 2023 getting this info acquire the pra c paration a la certification rhcsa red hat e pdf associate that we manage to pay for here and check out the link you could

[pra c paration a la certification rhcsa red hat e copy](#) - Nov 16 2021

pra c paration a la certification rhcsa red hat e 2022 - Jun 04 2023

web red hat in rhcsa red hat certified system administrator ve rhce red hat certified engineer sertifikasyonları kısa zamanda bilişim dünyasındaki en geçerli

[pra c paration a la certification rhcsa red hat e 2022](#) - May 23 2022

web pra c paration a la certification rhcsa red hat e 3 3 includes the decisions of the supreme courts of alabama florida louisiana and mississippi the appellate courts

pra c paration a la certification rhcsa red hat e rithik - Sep 07 2023

web pra c paration a la certification rhcsa red hat e is available in our digital library an online access to it is set as public so you can get it instantly our book servers hosts in

rhcsa ve rhce sertifikasyonları perception - May 03 2023

web aug 1 2019 the prerequisites for red hat certified system administrator exam preparation can be presented as follows red hat certified engineer rhce

[pra c paration a la certification rhcsa red hat e pdf uniport edu](#) - Feb 17 2022

web 2 pra c paration a la certification rhcsa red hat e 2022 03 07 defendant physician and elicit testimony from your own expert witness also included are a sample bill of

red hat certified system administrator - Oct 08 2023

web ex200 red hat certified system administrator rhcsa exam the performance based red hat certified system administrator rhcsa exam ex200 tests your knowledge

pra c paration a la certification rhcsa red hat e david allan - Aug 26 2022

web pra c paration a la certification rhcsa red hat e pdf is reachable in our digital library an online permission to it is set as public so you can download it instantly our digital

pra c paration a la certification rhcsa red hat e pdf - Mar 01 2023

web right here we have countless ebook pra c paration a la certification rhcsa red hat e and collections to check out we additionally provide variant types and afterward type of

pra c paration a la certification rhcsa red hat e pdf uniport edu - Jun 23 2022

web 2 pra c paration a la certification rhcsa red hat e 2022 07 16 aspects such as hospital power and telecommunications are

covered in addition to patient care

red hat certified system administrator rhcsa rhel 8 - Oct 28 2022

web pra c paration a la certification rhcsa red hat e red hat linux bible christopher negus 2003 12 08 the latest edition of the top selling guide to red hat linux

pra c paration a la certification rhcsa red hat e full pdf - Dec 18 2021

web sep 14 2023 certification rhcsa red hat e as well as evaluation them wherever you are now rhcsa red hat enterprise linux 8 asghar ghorri 2020 01 10 covers red hat

pra c paration a la certification rhcsa red hat e pdf - Jul 05 2023

web 2 pra c paration a la certification rhcsa red hat e 2023 09 07 infrastructure help personnel distinguish the specific risks and vulnerabilities of each unique institution and

pra c paration a la certification rhcsa red hat e pdf pdf - Mar 21 2022

web apr 11 2023 recognizing the pretentiousness ways to acquire this book pra c paration a la certification rhcsa red hat e is additionally useful you have remained in right site to

how to prepare for red hat certified system - Apr 02 2023

web pra c paration a la certification rhcsa red hat e red hat certified system administrator rhcsa 3 e aug 04 2021 16 hours of video instruction red hat

rhcsa course rhcsa online training certification program - Nov 28 2022

web may 31 2019 the red hat certified system administrator rhcsa complete video course 3rd edition is all new and fully updated for rhel 8 including new exam content

lettres d une péruvienne de françoise de graffigny poche - Nov 07 2022

web nov 1 2016 lettres d une péruvienne de françoise de graffigny collection classiques jaunes livraison gratuite à 0 01 dès 35 d achat librairie decitre votre prochain livre est là

lettres d une peruvienne classiques jaunes copy old vulkk - Dec 08 2022

web lettres d une peruvienne classiques jaunes regressive fictions lettres d une péruvienne dictionnaire classique universel female intimacies in seventeenth century french literature catalogue des livres français italiens espagnols portugais c persian letters the french review nouveau dictionnaire classique illustré portraits and poses

lettres d une peruvienne by francoise de graffigny rotraud - Oct 06 2022

web la force féminine dans lettres d une péruvienne gigi les lettres d une peruvienne 1747 lettres d une péruvienne de madame de graffigny issn lettres d une péruvienne bnf essentiels dissertations gratuites sur lettres d une péruvienne xxxiv la question de l autre dans les lettres d

lettres d une péruvienne table des matières - Sep 05 2022

web type de publication chapitre d ouvrage ouvrage lettres d une péruvienne pages 307 à 310 collection classiques jaunes n 661 série littératures francophones autres informations thème clil 3436 littérature générale oeuvres classiques ean 9782406066071 isbn 978 2 406 06607 1 issn 2417 6400

lettres d une péruvienne classiques garnier - Mar 11 2023

web type de publication ouvrage autrice graffigny française de Éditrice scientifique kulessa rotraud von résumé les lettres d une péruvienne paraissent pour la première fois en 1747 une seconde édition augmentée de trois lettres et d une introduction historique paraît en 1752

lettres d une péruvienne index de termes et notions péruviens - Jan 09 2023

web type de publication chapitre d ouvrage ouvrage lettres d une péruvienne pages 305 à 305 collection classiques jaunes n 661 série littératures francophones autres informations thème clil 3436 littérature générale oeuvres classiques ean 9782406066071 isbn 978 2 406 06607 1 issn 2417 6400

classiques garnier numérique - May 01 2022

web dec 17 2022 classiques garnier index des noms type de publication chapitre d ouvrage ouvrage lettres d une péruvienne pages 297 à 299 collection classiques jaunes n 661 série littératures francophones isbn 978 2 406 06607 1 issn 2417 6400 doi 10 15122 isbn 978 2 406 06607 1 p 0297 Éditeur classiques garnier mise en

classiques garnier numérique - Jun 02 2022

web type de publication chapitre d ouvrage ouvrage lettres d une péruvienne pages 297 à 299 collection classiques jaunes n 661 série littératures francophones thème clil 3436 littérature générale oeuvres classiques ean 9782406066071 isbn 978 2 406 06607 1 issn 2417 6400 doi 10 15122 isbn 978 2 406 06607 1 p

lettres d une peruvienne classiques jaunes french edition - Jul 15 2023

web nov 2 2016 amazon com lettres d une peruvienne classiques jaunes french edition 9782406066064 graffigny française de kulessa rotraud von books

classiques garnier numérique - Mar 31 2022

web classiques garnier lettres d une péruvienne première partie type de publication chapitre d ouvrage ouvrage lettres d une péruvienne pages 55 à 155 collection classiques jaunes n 661 série littératures francophones thème clil 3436 littérature générale oeuvres classiques ean 9782406066071 isbn 978 2

lettres d une peruvienne classiques jaunes amazon es - Feb 10 2023

web lettres d une peruvienne classiques jaunes graffigny française de kulessa rotraud von amazon es libros

lettres d une péruvienne wikisource - Jan 29 2022

web la dernière modification de cette page a été faite le 18 octobre 2019 à 03 57 les textes sont disponibles sous licence creative commons attribution partage dans les mêmes conditions d autres conditions peuvent s appliquer voyez les conditions d utilisation pour plus de détails politique de confidentialité À propos de wikisource

lettres d une péruvienne oeuvres classiques maison de la - Jul 03 2022

web lettres d une péruvienne lettres d une péruvienne arrachée à son pérou natal une jeune inca est ramenée de force en france un officier amoureux d elle la prend son sous aile et tente d lettres d une péruvienne oeuvres classiques maison de la presse

lettres d une peruvienne classiques jaunes band 661 - Apr 12 2023

web lettres d une peruvienne classiques jaunes band 661 kulesa rotraud von graffigny francoise de isbn 9782406066064 kostenloser versand für alle bücher mit versand und verkauf duch amazon

lettres d une peruvienne classiques jaunes paperback - Aug 16 2023

web buy lettres d une peruvienne classiques jaunes by graffigny francoise de kulesa rotraud von isbn 9782406066064 from amazon s book store everyday low prices and free delivery on eligible orders

lettres d une peruvienne john carter brown library - Feb 27 2022

web one of the most successful examples is lettres d une péruvienne letters from a peruvian woman by françoise de graffigny 1695 1758 this epistolary novel with letters written by the inca princess zilia from france to her lover aza in peru presents a satirical view of french life particularly the conditions of french women through

lettres d une péruvienne wikipédia - Jun 14 2023

web les lettres d une péruvienne de françoise de graffigny paraissent dans leur première version en 1747 1 ce roman épistolaire et sentimental relate la vie de zilia jeune femme inca séparée de son fiancé aza lorsqu elle est enlevée par des conquistadors espagnols avant d être ramenée de force en europe

lettres d une péruvienne bibliographie classiques garnier - May 13 2023

web lettres d une péruvienne 1747 éd c piau gillot pazis côté femmes 1990 lettres d une péruvienne éd j dejean et n k miller new york mla 1993 raman r de femmes du xvnl siècle mme de tencin mme de graffigny mme riccoboni olympe de gouge mme de souza mme cottin mme de genlis mme de krüdener

lettres d une peruvienne by françoise de graffigny goodreads - Dec 28 2021

web d abord les lettres d une péruvienne fournit un bel exemple du roman d amour francais qui a commencé avec la princesse de clèves aussi c est une excellente introduction au roman épistolaire finalement les lettres d une péruvienne traite de façon magistrale les mêmes thèmes que les lettres persannes de montesquieu ou de l ingénu de

classiques garnier numerique - Aug 04 2022

web classiques garnier pages de titre originales des lettres d une péruvienne type de publication chapitre d ouvrage ouvrage
lettres d une péruvienne pages 48 à 51 collection classiques jaunes n 661 série littératures francophones thème clil 3436
littérature générale oeuvres classiques ean 9782406066071