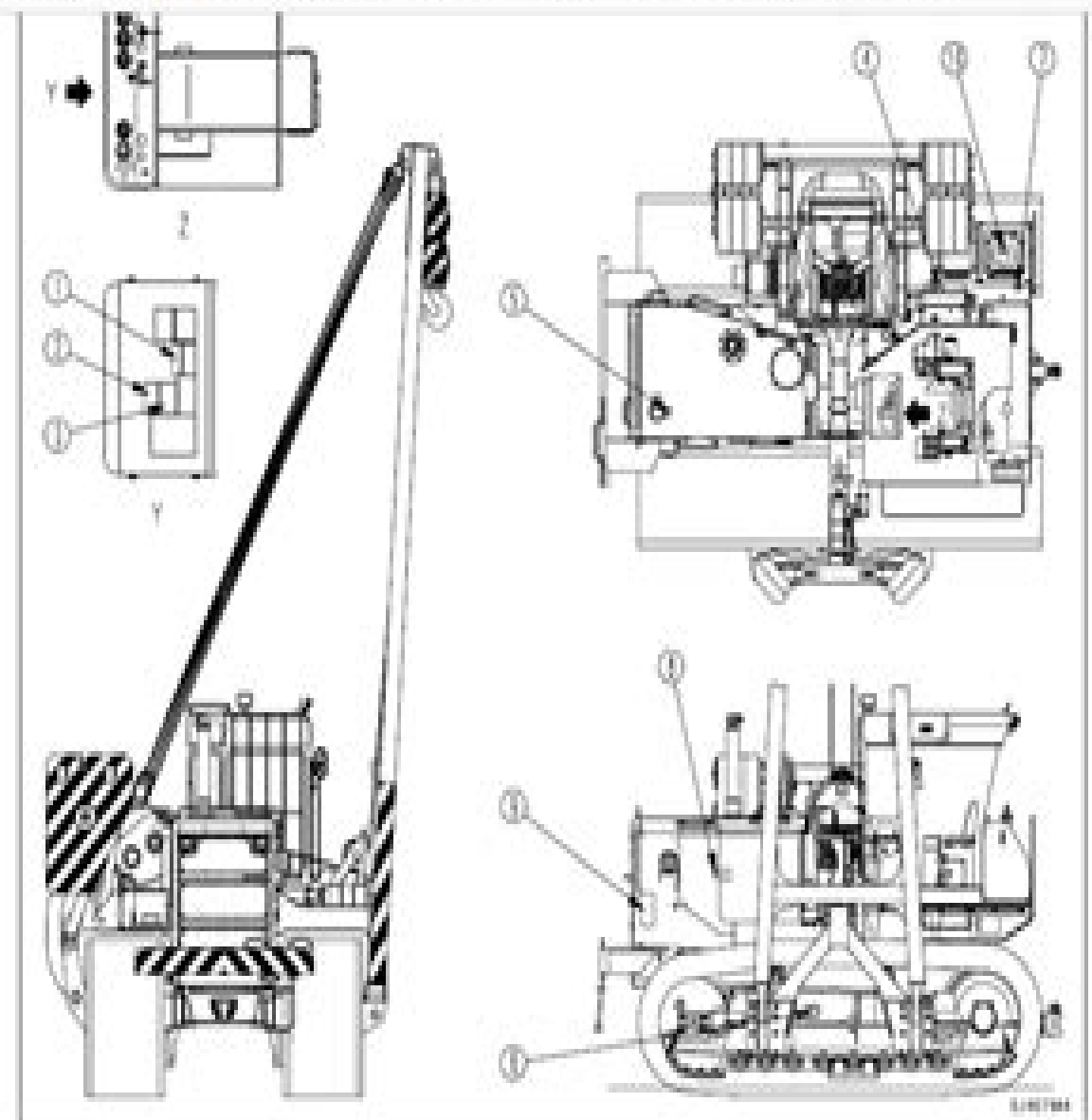


Bookmarks

- COVER
- > FOREWORD
- > CONTENTS
- > SAFETY
- > OPERATION
- > MAINTENANCE
- > SPECIFICATIONS
- > ATTACHMENTS, OPTIONS
- INDEX



Komatsu D355c Manual

Seisakujo Komatsu



Komatsu D355c Manual:

Komatsu 350-1 Wheel Loader Komatsu, Komatsu D80A-D85A Bulldozer Komatsu, Komatsu D60A-D60S Bulldozer and Dozer Shovel Komatsu, Shop Manual Komatsu PC200, 200LC-3 PC220, 220LC-3 Machine Model PC200, 200LC-3 20001 and Up Seisakujo Komatsu, Shop Manual, 1985* **Komatsu HD1200M-1 Dump Truck** Komatsu,1984 *Komatsu Service Handbook Komatsu, Shop Manual Komatsu PC150-5 ,199? Shop Manual Komatsu D375A-1 ,1989* Specifications and Application Handbook Komatsu Seisakujo,1990 Komatsu S4d100 6138828200 Turbocharger Rebuild Guide and Shop Manual* Brian Smothers,2015-01-09 This shop manual covers the proper disassembly inspection rework assembly and installation of the 6138828200 turbocharger found on the Komatsu S4D100 engines Written by an industry professional this book contains full color photos diagrams torque specs and best practices Repairing your vehicle s turbocharger is easy and cost effective if you know how This shop manual covers Garrett Honeywell T04B 465044 0039 465044 9039 465044 5039 465044 39 Turbochargers [Komatsu S6d105, S6d105 6137828600 Turbocharger Rebuild Guide and Shop Manual](#) Brian Smothers,2015-01-09 This shop manual covers the proper disassembly inspection rework assembly and installation of the 6137828600 turbocharger found on the Komatsu S6D105 S6D105 engines Written by an industry professional this book contains full color photos diagrams torque specs and best practices Repairing your vehicle s turbocharger is easy and cost effective if you know how This shop manual covers Garrett Honeywell T04B59 465044 0047 465044 9047 465044 5047 465044 47 Turbochargers *Komatsu S4d105 6131858103 Turbocharger Rebuild Guide and Shop Manual* Brian Smothers,2015-01-09 This shop manual covers the proper disassembly inspection rework assembly and installation of the 6131858103 turbocharger found on the Komatsu S4D105 engines Written by an industry professional this book contains full color photos diagrams torque specs and best practices Repairing your vehicle s turbocharger is easy and cost effective if you know how This shop manual covers Garrett Honeywell T04B59 465044 0015 465044 9015 465044 5015 465044 15 Turbochargers *Komatsu S4d95 6205-81-8110 Turbocharger Rebuild Guide and Shop Manual* Brian Smothers,2015-01-09 This shop manual covers the proper disassembly inspection rework assembly and installation of the 6205 81 8110 turbocharger found on the Komatsu S4D95 engines Written by an industry professional this book contains full color photos diagrams torque specs and best practices Repairing your vehicle s turbocharger is easy and cost effective if you know how This shop manual covers Garrett Honeywell TA31 465636 0206 465636 9206 465636 5206 465636 206 Turbochargers *Komatsu S4d105 6131828102 Turbocharger Rebuild Guide and Shop Manual* Brian Smothers,2015-01-09 This shop manual covers the proper disassembly inspection rework assembly and installation of the 6131828102 turbocharger found on the Komatsu S4D105 engines Written by an industry professional this book contains full color photos diagrams torque specs and best practices Repairing your vehicle s turbocharger is easy and cost effective if you know how This shop manual covers Garrett Honeywell T04B59 465044 0027 465044 9027 465044 5027 465044 27 Turbochargers

Komatsu S4d95 6205-81-8130 Turbocharger Rebuild Guide and Shop Manual Brian Smothers,2015-01-09 This shop manual covers the proper disassembly inspection rework assembly and installation of the 6205 81 8130 turbocharger found on the Komatsu S4D95 engines Written by an industry professional this book contains full color photos diagrams torque specs and best practices Repairing your vehicle s turbocharger is easy and cost effective if you know how This shop manual covers Garrett Honeywell TA31 465636 0210 465636 9210 465636 5210 465636 210 Turbochargers **Komatsu S4d95 6205-81-8150 Turbocharger Rebuild Guide and Shop Manual** Brian Smothers,2015-01-09 This shop manual covers the proper disassembly inspection rework assembly and installation of the 6205 81 8150 turbocharger found on the Komatsu S4D95 engines Written by an industry professional this book contains full color photos diagrams torque specs and best practices Repairing your vehicle s turbocharger is easy and cost effective if you know how This shop manual covers Garrett Honeywell TA31 465636 0216 465636 9216 465636 5216 465636 216 Turbochargers [Komatsu S4d105 6135828200 Turbocharger Rebuild Guide and Shop Manual](#) Brian Smothers,2015-01-09 This shop manual covers the proper disassembly inspection rework assembly and installation of the 6135828200 turbocharger found on the Komatsu S4D105 engines Written by an industry professional this book contains full color photos diagrams torque specs and best practices Repairing your vehicle s turbocharger is easy and cost effective if you know how This shop manual covers Garrett Honeywell T04B59 465044 0038 465044 9038 465044 5038 465044 38 Turbochargers *Komatsu S4d95 6207-81-8120 Turbocharger Rebuild Guide and Shop Manual* Brian Smothers,2015-01-09 This shop manual covers the proper disassembly inspection rework assembly and installation of the 6207 81 8120 turbocharger found on the Komatsu S4D95 engines Written by an industry professional this book contains full color photos diagrams torque specs and best practices Repairing your vehicle s turbocharger is easy and cost effective if you know how This shop manual covers Garrett Honeywell TA31 465636 0204 465636 9204 465636 5204 465636 204 Turbochargers **Komatsu S4d105 6135818201 Turbocharger Rebuild Guide and Shop Manual** Brian Smothers,2015-01-09 This shop manual covers the proper disassembly inspection rework assembly and installation of the 6135818201 turbocharger found on the Komatsu S4D105 engines Written by an industry professional this book contains full color photos diagrams torque specs and best practices Repairing your vehicle s turbocharger is easy and cost effective if you know how This shop manual covers Garrett Honeywell T04B59 465044 0031 465044 9031 465044 5031 465044 31 Turbochargers

This is likewise one of the factors by obtaining the soft documents of this **Komatsu D355c Manual** by online. You might not require more era to spend to go to the ebook inauguration as well as search for them. In some cases, you likewise complete not discover the proclamation Komatsu D355c Manual that you are looking for. It will certainly squander the time.

However below, like you visit this web page, it will be as a result unquestionably simple to acquire as well as download guide Komatsu D355c Manual

It will not recognize many epoch as we explain before. You can attain it while discharge duty something else at home and even in your workplace. in view of that easy! So, are you question? Just exercise just what we present below as well as review **Komatsu D355c Manual** what you behind to read!

<https://staging.conocer.cide.edu/results/book-search/default.aspx/elias%20canetti.pdf>

Table of Contents Komatsu D355c Manual

1. Understanding the eBook Komatsu D355c Manual
 - The Rise of Digital Reading Komatsu D355c Manual
 - Advantages of eBooks Over Traditional Books
2. Identifying Komatsu D355c Manual
 - Exploring Different Genres
 - Considering Fiction vs. Non-Fiction
 - Determining Your Reading Goals
3. Choosing the Right eBook Platform
 - Popular eBook Platforms
 - Features to Look for in an Komatsu D355c Manual
 - User-Friendly Interface
4. Exploring eBook Recommendations from Komatsu D355c Manual
 - Personalized Recommendations

- Komatsu D355c Manual User Reviews and Ratings
- Komatsu D355c Manual and Bestseller Lists
- 5. Accessing Komatsu D355c Manual Free and Paid eBooks
 - Komatsu D355c Manual Public Domain eBooks
 - Komatsu D355c Manual eBook Subscription Services
 - Komatsu D355c Manual Budget-Friendly Options
- 6. Navigating Komatsu D355c Manual eBook Formats
 - ePub, PDF, MOBI, and More
 - Komatsu D355c Manual Compatibility with Devices
 - Komatsu D355c Manual Enhanced eBook Features
- 7. Enhancing Your Reading Experience
 - Adjustable Fonts and Text Sizes of Komatsu D355c Manual
 - Highlighting and Note-Taking Komatsu D355c Manual
 - Interactive Elements Komatsu D355c Manual
- 8. Staying Engaged with Komatsu D355c Manual
 - Joining Online Reading Communities
 - Participating in Virtual Book Clubs
 - Following Authors and Publishers Komatsu D355c Manual
- 9. Balancing eBooks and Physical Books Komatsu D355c Manual
 - Benefits of a Digital Library
 - Creating a Diverse Reading Collection Komatsu D355c Manual
- 10. Overcoming Reading Challenges
 - Dealing with Digital Eye Strain
 - Minimizing Distractions
 - Managing Screen Time
- 11. Cultivating a Reading Routine Komatsu D355c Manual
 - Setting Reading Goals Komatsu D355c Manual
 - Carving Out Dedicated Reading Time
- 12. Sourcing Reliable Information of Komatsu D355c Manual
 - Fact-Checking eBook Content of Komatsu D355c Manual

- Distinguishing Credible Sources
- 13. Promoting Lifelong Learning
 - Utilizing eBooks for Skill Development
 - Exploring Educational eBooks
- 14. Embracing eBook Trends
 - Integration of Multimedia Elements
 - Interactive and Gamified eBooks

Komatsu D355c Manual Introduction

In today's digital age, the availability of Komatsu D355c Manual books and manuals for download has revolutionized the way we access information. Gone are the days of physically flipping through pages and carrying heavy textbooks or manuals. With just a few clicks, we can now access a wealth of knowledge from the comfort of our own homes or on the go. This article will explore the advantages of Komatsu D355c Manual books and manuals for download, along with some popular platforms that offer these resources. One of the significant advantages of Komatsu D355c Manual books and manuals for download is the cost-saving aspect. Traditional books and manuals can be costly, especially if you need to purchase several of them for educational or professional purposes. By accessing Komatsu D355c Manual versions, you eliminate the need to spend money on physical copies. This not only saves you money but also reduces the environmental impact associated with book production and transportation. Furthermore, Komatsu D355c Manual books and manuals for download are incredibly convenient. With just a computer or smartphone and an internet connection, you can access a vast library of resources on any subject imaginable. Whether you're a student looking for textbooks, a professional seeking industry-specific manuals, or someone interested in self-improvement, these digital resources provide an efficient and accessible means of acquiring knowledge. Moreover, PDF books and manuals offer a range of benefits compared to other digital formats. PDF files are designed to retain their formatting regardless of the device used to open them. This ensures that the content appears exactly as intended by the author, with no loss of formatting or missing graphics. Additionally, PDF files can be easily annotated, bookmarked, and searched for specific terms, making them highly practical for studying or referencing. When it comes to accessing Komatsu D355c Manual books and manuals, several platforms offer an extensive collection of resources. One such platform is Project Gutenberg, a nonprofit organization that provides over 60,000 free eBooks. These books are primarily in the public domain, meaning they can be freely distributed and downloaded. Project Gutenberg offers a wide range of classic literature, making it an excellent resource for literature enthusiasts. Another popular platform for Komatsu D355c Manual books and manuals is Open Library. Open Library is an initiative of the Internet Archive, a non-profit organization dedicated

to digitizing cultural artifacts and making them accessible to the public. Open Library hosts millions of books, including both public domain works and contemporary titles. It also allows users to borrow digital copies of certain books for a limited period, similar to a library lending system. Additionally, many universities and educational institutions have their own digital libraries that provide free access to PDF books and manuals. These libraries often offer academic texts, research papers, and technical manuals, making them invaluable resources for students and researchers. Some notable examples include MIT OpenCourseWare, which offers free access to course materials from the Massachusetts Institute of Technology, and the Digital Public Library of America, which provides a vast collection of digitized books and historical documents. In conclusion, Komatsu D355c Manual books and manuals for download have transformed the way we access information. They provide a cost-effective and convenient means of acquiring knowledge, offering the ability to access a vast library of resources at our fingertips. With platforms like Project Gutenberg, Open Library, and various digital libraries offered by educational institutions, we have access to an ever-expanding collection of books and manuals. Whether for educational, professional, or personal purposes, these digital resources serve as valuable tools for continuous learning and self-improvement. So why not take advantage of the vast world of Komatsu D355c Manual books and manuals for download and embark on your journey of knowledge?

FAQs About Komatsu D355c Manual Books

What is a Komatsu D355c Manual PDF? A PDF (Portable Document Format) is a file format developed by Adobe that preserves the layout and formatting of a document, regardless of the software, hardware, or operating system used to view or print it. **How do I create a Komatsu D355c Manual PDF?** There are several ways to create a PDF: Use software like Adobe Acrobat, Microsoft Word, or Google Docs, which often have built-in PDF creation tools. Print to PDF: Many applications and operating systems have a "Print to PDF" option that allows you to save a document as a PDF file instead of printing it on paper. Online converters: There are various online tools that can convert different file types to PDF. **How do I edit a Komatsu D355c Manual PDF?** Editing a PDF can be done with software like Adobe Acrobat, which allows direct editing of text, images, and other elements within the PDF. Some free tools, like PDFescape or Smallpdf, also offer basic editing capabilities. **How do I convert a Komatsu D355c Manual PDF to another file format?** There are multiple ways to convert a PDF to another format: Use online converters like Smallpdf, Zamzar, or Adobe Acrobats export feature to convert PDFs to formats like Word, Excel, JPEG, etc. Software like Adobe Acrobat, Microsoft Word, or other PDF editors may have options to export or save PDFs in different formats. **How do I password-protect a Komatsu D355c Manual PDF?** Most PDF editing software allows you to add password protection. In Adobe Acrobat, for instance, you can go to "File" ->

"Properties" -> "Security" to set a password to restrict access or editing capabilities. Are there any free alternatives to Adobe Acrobat for working with PDFs? Yes, there are many free alternatives for working with PDFs, such as: LibreOffice: Offers PDF editing features. PDFsam: Allows splitting, merging, and editing PDFs. Foxit Reader: Provides basic PDF viewing and editing capabilities. How do I compress a PDF file? You can use online tools like Smallpdf, ILovePDF, or desktop software like Adobe Acrobat to compress PDF files without significant quality loss. Compression reduces the file size, making it easier to share and download. Can I fill out forms in a PDF file? Yes, most PDF viewers/editors like Adobe Acrobat, Preview (on Mac), or various online tools allow you to fill out forms in PDF files by selecting text fields and entering information. Are there any restrictions when working with PDFs? Some PDFs might have restrictions set by their creator, such as password protection, editing restrictions, or print restrictions. Breaking these restrictions might require specific software or tools, which may or may not be legal depending on the circumstances and local laws.

Find Komatsu D355c Manual :

[elias canetti](#)

[elseviers dictionary of containers and dangerous goods in english french and spanish approximately 6000 terms](#)

[elizabeth i the unity of england](#)

[elgar organ album 1](#)

[eloquence and ignorance in augustines on the nature and origin of the soul](#)

[elizabeth tipton journal](#)

[emergence of british parliamentary democ](#)

emdr as an integrative psychotherapy approach experts of diverse orientations explore the paradigm prism

emails from mt etna

elizabethan lyrics a critical anthology

[ellas little cookbook](#)

elimelech wakes up

ema la cautiva

[elizabeth the queen the story of britain](#)

[elimination play in bridge master bridge series](#)

Komatsu D355c Manual :

Career Theory and Practice Learning Through Case Studies Career Theory and Practice: Learning Through Case Studies illustrates the process, theories, and application of career development counseling through a series ... Career Theory and Practice: Learning Through Case Studies Designed to help readers apply career development theories to their work with career counseling clients, Career Theory and Practice: Learning Through Case ... Career Theory and Practice: Learning Through Case Studies Career Theory and Practice: Learning Through Case Studies illustrates the process, theories, and application of career development counseling through a series ... Career Theory and Practice: Learning Through Case Studies Career Theory and Practice: Learning Through Case Studies illustrates the process, theories, and application of career development counseling through a series ... Career theory and practice : learning through case studies "Designed to help readers apply career development theories to their work with career counseling clients, Career Theory and Practice: Learning Through Case ... Learning through case studies 4th edition : r/textbook_piracy [Request} Career theory and practice: Learning through case studies 4th edition. 14 comments sorted by Best. Career Theory and Practice: Learning through Case Studies The authors of this book demonstrate with case examples how to apply career development theories to career counselling practice. Career Theory and Practice 4th edition 9781544333663 Career Theory and Practice: Learning Through Case Studies 4th Edition is written by Jane L. Swanson; Nadya A. Fouad and published by SAGE Publications, ... Career Theory and Practice: Learning Through Case ... Career Theory and Practice: Learning Through Case Studies by Swanson, Jane L.; Fouad, Nadya - ISBN 10: 1412937515 - ISBN 13: 9781412937511 - SAGE ... Career Theory and Practice: Learning Through Case Studies Career Theory and Learning Through Case Studies illustrates the process, theories, and application of career development counseling through a series of rich ... Breathing Corpses (Oberon Modern Plays): Wade, Laura Book overview ... Amy's found another body in a hotel bedroom. There's a funny smell coming from one of Jim's storage units. And Kate's losing it after spending ... Breathing Corpses (Oberon Modern Plays) (Paperback) Laura Wade's plays include Home, I'm Darling (National Theatre), Posh (Royal Court Theatre and West End), Tipping the Velvet (Lyric Theatre, Hammersmith), Alice ... Breathing Corpses (Oberon Modern Plays) - Softcover Breathing Corpses (Oberon Modern Plays) by Wade, Laura - ISBN 10: 1840025468 - ISBN 13: 9781840025460 - Oberon Books - 2006 - Softcover. The Watsons (Oberon Modern Plays) (Paperback) The Watsons (Oberon Modern Plays) (Paperback). The Watsons (Oberon Modern ... Breathing Corpses (Royal Court Theatre); Catch (Royal Court Theatre, written ... Breathing Corpses (Oberon Modern Plays) by Wade, Laura Wade, Laura ; Title: Breathing Corpses (Oberon Modern Plays) ; Publisher: Oberon Books ; Publication Date: 2006 ; Binding: Soft cover ; Condition: new. Reviews - Breathing Corpses (Oberon Modern Plays) (Oberon ... A fast-paced play that gives just enough information for you to glean an insight to the characters' relationships. It deals with heavy topics and leaves you ... Pre-Owned Breathing Corpses (Oberon Modern Plays) Paperback Pre-Owned Breathing Corpses (Oberon

Modern Plays) Paperback. Series Title, Oberon Modern Plays. Publisher, Bloomsbury Publishing PLC. Book Format, Paperback. Laura Wade: Plays One (Oberon Modern Playwrights) ... Mar 23, 2023 — Colder Than Here: 'Laura Wade's play is a 90-minute masterpiece, a jewel, dark but translucent. · Breathing Corpses: 'The tension, the emotions ... Breathing Corpses - Laura Wade (Author) May 13, 2021 — Reviews · 'The tension, the emotions and the sense of absurdity and fear are brilliantly handled... A terrifying tour de force.' · '[A] powerful ... Breathing Corpses (Oberon Modern Plays) by Laura Wade (13- ... Breathing Corpses (Oberon Modern Plays) by Laura Wade (13-Mar-2005) Paperback. Laura Wade. 0.00. 0 ratings0 reviews. Want to read. Buy on Amazon. The End of the Affair Set in London during and just after the Second World War, the novel examines the obsessions, jealousy and discernments within the relationships between three ... The End of the Affair (1999 film) The End of the Affair is a 1999 romantic drama film written and directed by Neil Jordan and starring Ralph Fiennes, Julianne Moore and Stephen Rea. The End of the Affair by Graham Greene "The End of the Affair" is about a writer named Maurice Bendrix. Maurice is a very jealous man. This is quite ironic because he is jealous of Sarah, the married ... End of the Affair, The (The Classic Collection) The End of the Affair, set in London during and just after World War II, is the story of a flourishing love affair between Maurice Bendrix and Sarah Miles. The End of the Affair (1955) In WW2 London, a writer falls in love with the wife of a British civil servant but both men suspect her of infidelity with yet another man. The End of the Affair eBook : Greene, Graham: Kindle Store The book is an excellent psychological study of Sarah and her life changing decisions and their effect on Bendrix, Henry and another important character, Smythe ... No 71 - The End of the Affair by Graham Greene (1951) Jan 26, 2015 — Graham Greene's moving tale of adultery and its aftermath ties together several vital strands in his work, writes Robert McCrum. The End of the Affair | Graham Greene, 1955, Catholic faith The novel is set in wartime London. The narrator, Maurice Bendrix, a bitter, sardonic novelist, has a five-year affair with a married woman, Sarah Miles. When a ... Graham Greene: The End of the Affair The pivotal moment of Graham Greene's novel The End of the Affair (1951) occurs in June 1944 when a new form of weapon strikes home: the V-1, the flying ... The End of the Affair Based on a novel by Graham Greene, this is a romantic drama set during World War II that is in many ways a standard love triangle involving a guy, his best ...