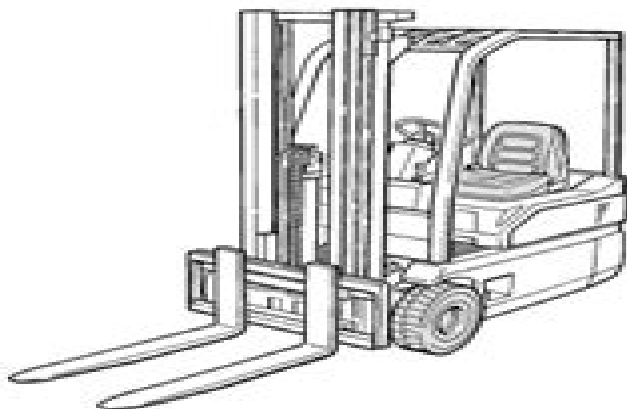


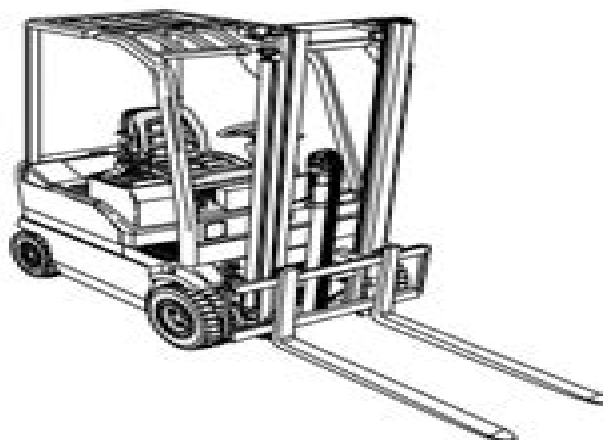
KOMATSU

SHOP MANUAL

Series 4016
FB 12 • 15 • 18
M-2R



Series 4017
FB 15 • 18-2R



60424131 GB

Ver: 03/2002
Rev: 02/2003

Komatsu 25 Manual

JS Bruner



Komatsu 25 Manual:

Embark on a breathtaking journey through nature and adventure with is mesmerizing ebook, Witness the Wonders in **Komatsu 25 Manual** . This immersive experience, available for download in a PDF format (PDF Size: *), transports you to the heart of natural marvels and thrilling escapades. Download now and let the adventure begin!

https://staging.conocer.cide.edu/files/detail/Documents/kdl40xbr4_intruction_manual.pdf

Table of Contents Komatsu 25 Manual

1. Understanding the eBook Komatsu 25 Manual
 - The Rise of Digital Reading Komatsu 25 Manual
 - Advantages of eBooks Over Traditional Books
2. Identifying Komatsu 25 Manual
 - Exploring Different Genres
 - Considering Fiction vs. Non-Fiction
 - Determining Your Reading Goals
3. Choosing the Right eBook Platform
 - Popular eBook Platforms
 - Features to Look for in an Komatsu 25 Manual
 - User-Friendly Interface
4. Exploring eBook Recommendations from Komatsu 25 Manual
 - Personalized Recommendations
 - Komatsu 25 Manual User Reviews and Ratings
 - Komatsu 25 Manual and Bestseller Lists
5. Accessing Komatsu 25 Manual Free and Paid eBooks
 - Komatsu 25 Manual Public Domain eBooks
 - Komatsu 25 Manual eBook Subscription Services
 - Komatsu 25 Manual Budget-Friendly Options
6. Navigating Komatsu 25 Manual eBook Formats

- ePub, PDF, MOBI, and More
 - Komatsu 25 Manual Compatibility with Devices
 - Komatsu 25 Manual Enhanced eBook Features
7. Enhancing Your Reading Experience
 - Adjustable Fonts and Text Sizes of Komatsu 25 Manual
 - Highlighting and Note-Taking Komatsu 25 Manual
 - Interactive Elements Komatsu 25 Manual
 8. Staying Engaged with Komatsu 25 Manual
 - Joining Online Reading Communities
 - Participating in Virtual Book Clubs
 - Following Authors and Publishers Komatsu 25 Manual
 9. Balancing eBooks and Physical Books Komatsu 25 Manual
 - Benefits of a Digital Library
 - Creating a Diverse Reading Collection Komatsu 25 Manual
 10. Overcoming Reading Challenges
 - Dealing with Digital Eye Strain
 - Minimizing Distractions
 - Managing Screen Time
 11. Cultivating a Reading Routine Komatsu 25 Manual
 - Setting Reading Goals Komatsu 25 Manual
 - Carving Out Dedicated Reading Time
 12. Sourcing Reliable Information of Komatsu 25 Manual
 - Fact-Checking eBook Content of Komatsu 25 Manual
 - Distinguishing Credible Sources
 13. Promoting Lifelong Learning
 - Utilizing eBooks for Skill Development
 - Exploring Educational eBooks
 14. Embracing eBook Trends
 - Integration of Multimedia Elements
 - Interactive and Gamified eBooks

Komatsu 25 Manual Introduction

In today's digital age, the availability of Komatsu 25 Manual books and manuals for download has revolutionized the way we access information. Gone are the days of physically flipping through pages and carrying heavy textbooks or manuals. With just a few clicks, we can now access a wealth of knowledge from the comfort of our own homes or on the go. This article will explore the advantages of Komatsu 25 Manual books and manuals for download, along with some popular platforms that offer these resources. One of the significant advantages of Komatsu 25 Manual books and manuals for download is the cost-saving aspect. Traditional books and manuals can be costly, especially if you need to purchase several of them for educational or professional purposes. By accessing Komatsu 25 Manual versions, you eliminate the need to spend money on physical copies. This not only saves you money but also reduces the environmental impact associated with book production and transportation. Furthermore, Komatsu 25 Manual books and manuals for download are incredibly convenient. With just a computer or smartphone and an internet connection, you can access a vast library of resources on any subject imaginable. Whether you're a student looking for textbooks, a professional seeking industry-specific manuals, or someone interested in self-improvement, these digital resources provide an efficient and accessible means of acquiring knowledge. Moreover, PDF books and manuals offer a range of benefits compared to other digital formats. PDF files are designed to retain their formatting regardless of the device used to open them. This ensures that the content appears exactly as intended by the author, with no loss of formatting or missing graphics. Additionally, PDF files can be easily annotated, bookmarked, and searched for specific terms, making them highly practical for studying or referencing. When it comes to accessing Komatsu 25 Manual books and manuals, several platforms offer an extensive collection of resources. One such platform is Project Gutenberg, a nonprofit organization that provides over 60,000 free eBooks. These books are primarily in the public domain, meaning they can be freely distributed and downloaded. Project Gutenberg offers a wide range of classic literature, making it an excellent resource for literature enthusiasts. Another popular platform for Komatsu 25 Manual books and manuals is Open Library. Open Library is an initiative of the Internet Archive, a non-profit organization dedicated to digitizing cultural artifacts and making them accessible to the public. Open Library hosts millions of books, including both public domain works and contemporary titles. It also allows users to borrow digital copies of certain books for a limited period, similar to a library lending system. Additionally, many universities and educational institutions have their own digital libraries that provide free access to PDF books and manuals. These libraries often offer academic texts, research papers, and technical manuals, making them invaluable resources for students and researchers. Some notable examples include MIT OpenCourseWare, which offers free access to course materials from the Massachusetts Institute of Technology, and the Digital Public Library of America, which provides a vast collection of digitized books and historical documents. In conclusion, Komatsu 25 Manual books and manuals for download have transformed the way we access information. They provide a cost-effective and

convenient means of acquiring knowledge, offering the ability to access a vast library of resources at our fingertips. With platforms like Project Gutenberg, Open Library, and various digital libraries offered by educational institutions, we have access to an ever-expanding collection of books and manuals. Whether for educational, professional, or personal purposes, these digital resources serve as valuable tools for continuous learning and self-improvement. So why not take advantage of the vast world of Komatsu 25 Manual books and manuals for download and embark on your journey of knowledge?

FAQs About Komatsu 25 Manual Books

1. Where can I buy Komatsu 25 Manual books? Bookstores: Physical bookstores like Barnes & Noble, Waterstones, and independent local stores. Online Retailers: Amazon, Book Depository, and various online bookstores offer a wide range of books in physical and digital formats.
2. What are the different book formats available? Hardcover: Sturdy and durable, usually more expensive. Paperback: Cheaper, lighter, and more portable than hardcovers. E-books: Digital books available for e-readers like Kindle or software like Apple Books, Kindle, and Google Play Books.
3. How do I choose a Komatsu 25 Manual book to read? Genres: Consider the genre you enjoy (fiction, non-fiction, mystery, sci-fi, etc.). Recommendations: Ask friends, join book clubs, or explore online reviews and recommendations. Author: If you like a particular author, you might enjoy more of their work.
4. How do I take care of Komatsu 25 Manual books? Storage: Keep them away from direct sunlight and in a dry environment. Handling: Avoid folding pages, use bookmarks, and handle them with clean hands. Cleaning: Gently dust the covers and pages occasionally.
5. Can I borrow books without buying them? Public Libraries: Local libraries offer a wide range of books for borrowing. Book Swaps: Community book exchanges or online platforms where people exchange books.
6. How can I track my reading progress or manage my book collection? Book Tracking Apps: Goodreads, LibraryThing, and Book Catalogue are popular apps for tracking your reading progress and managing book collections. Spreadsheets: You can create your own spreadsheet to track books read, ratings, and other details.
7. What are Komatsu 25 Manual audiobooks, and where can I find them? Audiobooks: Audio recordings of books, perfect for listening while commuting or multitasking. Platforms: Audible, LibriVox, and Google Play Books offer a wide selection of audiobooks.
8. How do I support authors or the book industry? Buy Books: Purchase books from authors or independent bookstores.

Reviews: Leave reviews on platforms like Goodreads or Amazon. Promotion: Share your favorite books on social media or recommend them to friends.

9. Are there book clubs or reading communities I can join? Local Clubs: Check for local book clubs in libraries or community centers. Online Communities: Platforms like Goodreads have virtual book clubs and discussion groups.
10. Can I read Komatsu 25 Manual books for free? Public Domain Books: Many classic books are available for free as they're in the public domain. Free E-books: Some websites offer free e-books legally, like Project Gutenberg or Open Library.

Find Komatsu 25 Manual :

kdl40xbr4 intruction manual

[keithley 602 user guide](#)

[kawasaki zx6r 2007 repair service manual](#)

[kellogg american air compressor manual](#)

ken gilbert 2004 impreza wrx sti service manual

kawasaki z250 1980 factory service repair manual

[kenmore 385 12318 sewing machine manual](#)

[ke jetronic bosch wiring diagram](#)

[kemu nakuru campus student portal](#)

keeway arn125 arn150 scooter service repair manual 2006 2012

keeway matrix 50 repair manual

[kawasaki z250 kz305 1979 1982 factory service repair manual](#)

kawasaki zrx1200 2003 repair service manual

kenmore 70 series dryer owners manual

[kawasaki z750 manual](#)

Komatsu 25 Manual :

genetics a conceptual approach 5th edition pierce solutions manual - Apr 08 2022

web mar 17 2018 solution 1 a cell& amp x20ac amp x2122 s genetic information must be copied 2 the copies of the genetic information must be separated from one another 3 the cell must divide into

genetics study guide and solutions manual amazon com - May 09 2022

web buy genetics study guide and solutions manual on amazon com free shipping on qualified orders

genetics 5th edition textbook solutions chegg com - Sep 25 2023

web how is chegg study better than a printed genetics 5th edition student solution manual from the bookstore our interactive player makes it easy to find solutions to genetics 5th edition problems you re working on just go to the chapter for your book

genetics a conceptual approach 5th edition amazon com - Mar 07 2022

web paperback 18 33 8 used from 14 20 note access code is not included with genetics a conceptual approach ben pierce brings a master teacher s experiences to the introductory genetics textbook clarifying this complex subject by focusing on the big picture of genetics concepts and how those concepts connect to one another

free solutions for essential genetics 5th edition quizlet - Apr 20 2023

web find step by step solutions and answers to essential genetics 9780763773649 as well as thousands of textbooks so you can move forward with confidence sign up expert solutions essential genetics 5th edition daniel l hartl isbn 9780763773649 more textbook info daniel l hartl isbn 9780763773649 sorry we don t have content for

genetics solutions manual by pierce benjamin abebooks - Dec 16 2022

web condition good no hassle 30 day returns ships daily underlining highlighting none writing none edition fifth publisher w h freeman company 5th revised edition edition pub date 11 29 2013 binding paperback pages 400 fifth edition

genetics essentials 5th edition macmillan learning us - Mar 19 2023

web similar in approach to ben pierce s popular and acclaimed genetics a conceptual approach this streamlined text covers basic transmission molecular and population genetics in just 18 chapters helping students uncover major concepts of genetics and make connections among those concepts as a way of gaining a richer understanding of

study guide and solutions manual for essentials of genetics - Oct 14 2022

web jan 27 2013 there is a newer edition of this item student s handbook and solutions manual for concepts of genetics 11th edition by klug william s cummings michael r spencer charlotte a 2014 paperback 18 88 28 usually ships within 9 to 10 days

essential genetics a genomics perspective google books - Feb 18 2023

web essential genetics a genomics perspective essential genetics daniel hartl jones bartlett learning 2011 science 575 pages updated to reflect the latest discoveries in the field the fifth edition of hartl s classic text provides an accessible student friendly introduction to contemporary genetics

solutions manual for genetics from genes to genomes 5th edition - Sep 13 2022

web may 29 2018 vocabulary 1 a phenotype 4 observable characteristic b alleles 3 alternate forms of a gene c independent assortment 6 alleles of one gene separate into gametes randomly with respect to

genetics a conceptual approach academia edu - Jun 10 2022

web this fourth edition of life sciences fundamentals and practice includes extensive revisions of the previous edition we have attempted to provide an extraordinarily large amount of information from the enormous and ever growing field in an easily retrievable form

essentials of genetics student handbook solutions manual - Jul 11 2022

web jan 1 2004 only 1 left in stock order soon completely reviewed and checked for accuracy this valuable handbook provides a detailed step by step solution or extended discussion for every problem in the text in a chapter by chapter format the handbook also contains extra study problems and a thorough review of the concepts and vocabulary

essentials of genetics chapter 5 flashcards quizlet - Feb 06 2022

web essentials of genetics chapter 3 42 terms haleykramer essentials of genetics chapter 6 recommended textbook solutions clinical reasoning cases in nursing 7th edition julie s snyder 15th edition john david jackson patricia meglich robert mathis sean valentine 249 solutions human resource management 15th edition john david

essentials of genetics 5th edition amazon com - Aug 24 2023

web jan 1 2005 this book covers the latest information on genetics such as genomics conservation genetics sex determination and sex chromosomes genomics and proteomics molecular genetics and population genetics

essential genetics 5th edition solutions manual pdf test messe cbs - Aug 12 2022

web oct 3 2023 essential genetics 5th edition solutions manual 2013 09 08 4 15 essential genetics 5th edition solutions manual medical genetics 2015 09 04 popular for its highly visual clinical approach medical genetics delivers an accessible yet thorough understanding of this active and fast changing field key

genetics essentials concepts and connections academia edu - Jun 22 2023

web it contains 15 lectures on vital topics like biological variations polygenic inheritance speciation metabolic disorders in man genetics haemoglobin and human twins human genome project human welfare selection effects on animals genetic control of pest insects and recent advances in genetics and molecular biology

genetics solutions manual third edition amazon com - Jan 17 2023

web dec 25 2007 amazon com genetics solutions manual 9781429203531 choi jung h mccallum mark e books

essential genetics a genomics perspective textbook solutions - May 21 2023

web hw solutions essential genetics a genomics perspective 5th edition by daniel l hartl 268 join chegg study and get guided textbook solutions created by chegg experts learn from step by step solutions for over 34 000 isbn in math science engineering business and more 24 7 study help

essentials of genetics solution manual chegg com - Jul 23 2023

web get instant access to our step by step essentials of genetics solutions manual our solution manuals are written by chegg experts so you can be assured of the highest quality

genetics from genes to genomes 5th edition solutions and quizlet - Nov 15 2022

web at quizlet we re giving you the tools you need to take on any subject without having to carry around solutions manuals or printing out pdfs now with expert verified solutions from genetics from genes to genomes 5th edition you ll learn how to solve your toughest homework problems

happy slow cooking piu tempo per noi senza - May 12 2023

web happy slow cooking piu tempo per noi senza abbandonare la cucina di una volta tecniche e ricette di cucina per la pentola slow cooker pdf download ebook gratis libro nota524

happy slow cooking piu tempo per noi senza - Aug 15 2023

web happy slow cooking piu tempo per noi senza abbandonare la cucina di una volta tecniche e ricette di cucina per la pentola slow cooker ebook iacono fabio lombardi christian stoffels ingrid traverso gina amazon it kindle store libri

amazon com br ebooks kindle happy slow cooking piu tempo per noi - Nov 06 2022

web compre o ebook happy slow cooking piu tempo per noi senza abbandonare la cucina di una volta tecniche e ricette di cucina per la pentola slow cooker italian edition de iacono fabio lombardi christian stoffels ingrid traverso gina na loja ebooks kindle encuentre ofertas os livros mais

happy slow cooking piu tempo per noi senza abband pdf - Apr 30 2022

web jul 13 2023 happy slow cooking piu tempo per noi senza abband 3 12 downloaded from uniport edu ng on july 13 2023 by guest audiences offering a different way to talk about the things that matter to explore his own experience and ideas and encourage others explore theirs george the poet s mesmerising and unforgettable live

happy slow cooking piu tempo per noi online kptm edu my - Dec 27 2021

web happy slow cooking piu tempo per noi senza abbandonare la cucina di una volta tecniche e ricette di cucina per la happy slow cooking 2 barry sparkmag co happy cooking a meal forse per il maggiore tempo a gay kids video stock clip video 4k e hd shutterstock may 25th 2020 414

amazon happy slow cooking piu tempo per noi senza - Mar 10 2023

web sep 14 2014 happy slow cooking piu tempo per noi senza abbandonare la cucina di una volta tecniche e ricette di cucina per la pentola slow cooker italian edition kindle edition by iacono fabio lombardi christian stoffels ingrid traverso gina download it once and read it on your kindle device pc

5 maddede slow food akımı hakkında merak edilenler - Feb 09 2023

web feb 10 2021 5 maddede slow food akımı hakkında merak edilenler 10 Şubat 2021 orijinal lezzetlerin korunmasını yerel

yemeklerin yerel malzemelerle pişirilmesini amaçlayan slow food akımının özü yerel yemek kültürünün devamını sağlamaktır
happy slow cooking piu tempo per noi senza - Apr 11 2023

web happy slow cooking piu tempo per noi senza abbandonare la cucina di una volta tecniche e ricette di cucina per la pentola slow cooker italian edition ebook iacono fabio lombardi christian stoffels ingrid traverso gina amazon in kindle store
happy slow cooking piu tempo per noi senza abband lorenzo - Jun 01 2022

web happy slow cooking piu tempo per noi senza abband if you ally craving such a referred happy slow cooking piu tempo per noi senza abband books that will offer you worth get the enormously best seller from us currently from several preferred authors if you want to funny books lots of novels tale jokes and more fictions collections are next
slow food vikipedi - Jul 02 2022

web slow food hareketi yerel tohumlarla üretime bölgesel aşların tüketimine ve kente özgü kültürel kimliğinin korunmasına yerel değerlerin gelecek kuşaklara aktarılmasına dikkat çekmesi ile diğer toplumsal gıda hareketlerinden farklılaşır

amazon com happy slow cooking piu tempo per noi senza - Jul 14 2023

web sep 14 2014 buy happy slow cooking piu tempo per noi senza abbandonare la cucina di una volta tecniche e ricette di cucina per la pentola slow cooker italian edition read kindle store reviews amazon com
happy slow cooking piu tempo per noi senza - Jun 13 2023

web happy slow cooking book read reviews from world s largest community for readers prima di acquistare il libro per cortesia leggete qui onde evitare di

happy slow cooking piu tempo per noi senza - Dec 07 2022

web achetez et téléchargez ebook happy slow cooking piu tempo per noi senza abbandonare la cucina di una volta tecniche e ricette di cucina per la pentola slow cooker italian edition boutique kindle loisirs créatifs maison déco amazon fr
happy slow cooking piu tempo per noi senza abandonare la - Oct 05 2022

web happy slow cooking piu tempo per noi senza abbandonare la cucina di una volta tecniche e ricette di cucina per la pentola slow cooker by fabio iacono christian lombardi ingrid stoffels gina traverso gay kids video stock clip video 4k e hd shutterstock happy italian music italian dinner cafe music folk music from italy lékué kit per la

happy slow cooking piu tempo per noi senza abband pdf - Feb 26 2022

web may 14 2023 their favorite books behind this happy slow cooking piu tempo per noi senza abband but stop stirring in harmful downloads rather than enjoying a fine book subsequently a mug of coffee in the afternoon otherwise they juggled once some harmful virus inside their computer happy slow cooking piu tempo per noi senza abband is
happy slow cooking piu tempo per noi senza abband teresa - Sep 04 2022

web kindly say the happy slow cooking piu tempo per noi senza abband is universally compatible with any devices to read lu

pavone giuseppe jovine 1993 questa raccolta di poesie e di racconti popolari anonimi in dialetto molisano tracciano il percorso di due storie che pur diversificate si compenetrano e si completano a vicenda la

24 saat açık mekanlar İstanbul da 24 saat açık mekanlar yemek - Mar 30 2022

web jun 26 2015 açıkçası buranın işkembesi için anadolu dan kalkıp gelen arkadaşlar tanıyoruz henüz daha bu güzellikleri tatmadıysanız işkembenin i sinden bile haberiniz yoksa ilk denemeler için de burası aklınızda olsun gayet hijyenik ve lezzetli lale İşkembecisi adres Şehit muhtar mahallesi tarlabası bulvarı no 3

happy slow cooking piu tempo per noi senza - Aug 03 2022

web lee ahora en digital con la aplicación gratuita kindle

slow food hareketi Önce ruhunuz sonra karnınız doysun - Jan 08 2023

web jan 9 2019 en azından slow food hareketi ne göre bu böyle son günlerde fazlasıyla gündemde olan destekçileri hızla artan etrafımdan sıkça duyduğum slow food akımı nı merak ettim araştırdım ve sizler için yazdım

happy slow cooking piu tempo per noi senza abbandonare la - Jan 28 2022

web aug 1 2023 happy slow cooking piu tempo per noi senza abbandonare la cucina di una volta tecniche e ricette di cucina per la pentola slow cooker by fabio iacono christian lombardi ingrid stoffels gina traverso una corolla di petali femminili io e brigante de crockpot sccpppp605 050 schongarer 5 7 liters tra il dire e il fare online dictionary

agpt situational judgement test preparation 2022 opendoors - Apr 11 2023

web agpt situational judgement test preparation 3 3 epoch used the technical means available to produce maximum illusion he discusses frescoes such as those in the villa dei misteri in pompeii and the gardens

agpt situational judgement test preparation sibole online - Nov 06 2022

web to get started finding agpt situational judgement test preparation you are right to find our website which has a comprehensive collection of manuals listed our library is the biggest of these that have literally hundreds of thousands of different products represented

situational judgement test oxford assess and progress 2nd - Feb 26 2022

web fsot test prep and practice questions for the foreign service officer test 2nd edition cognitive assessment for clinicians the dental foundation interview guide with situational judgement tests offers an indispensable step by step guide to the dental foundation training application process explains the

agptsituationaljudgementtestpreparation apps newfounding - Dec 07 2022

web situational judgment tests advances the science and practice of sjts by promoting a theoretical framework providing an understanding of best practices and establishing a research agenda for years to come currently there is no other source that provides such a comprehensive treatment of situational judgment testing

royal australian college of general practitioners racgp - Sep 04 2022

web aug 2 2022 there are three main phases in the racgp agpt selection process one of which is undertaking the candidate assessment and applied knowledge test caakt the caakt consists of two types of questions knowledge test questions and situational judgement test questions

situational judgement test 15 free tests 100 questions - Aug 03 2022

web jun 14 2022 situational judgement tests assess your ability to deal with a variety of common workplace challenges with every question you answer employers will be examining your communication and teamwork skills and how creative or analytical your thinking is throughout the test you ll be faced with different scenarios and asked to pick

free situational judgement tests preparation and example - May 12 2023

web they make it ever so simple to understand every aspect of situational judgement tests which otherwise are so challenging to grasp this guide includes useful tips to pass the test abilities which are required as well as other points which ought to be kept in mind

practice aptitude tests - Apr 30 2022

web recruiting talent our partner picked makes it simple to assess your candidates quickly and accurately find out more

situational judgement test oxford assess and progress 2nd - Jan 28 2022

web organization situational judgement test wikipediasituational judgement test situational judgement tests assess your ability at solving problems in work related situations try these five practice questions designed to be similar to those used by major graduate employers situational judgement tests 5 free questions

pass the situational judgement test by cameron b green copy - Dec 27 2021

web pass the situational judgement test by cameron b green sjt pass the situational judgement test a guide preparing for the civil service judgement test gov uk police situational judgement test sjt preparation 2020 situational judgement test the definitive guide bemo academic consulting everything you need to know

ukcat kursu ukcat Özel ders ukcat İstanbul - Oct 05 2022

web situational judgement ukcat kursu adayların durumlardaki cevaplarını ve tıbbi etiği kavrayışlarını ölçer sınavın bu bölümü 20 senaryo ile ilgili 69 soru içerir ve 27 dakika uzunluğundadır

agpt situational judgement test preparation 2023 - Jul 14 2023

web agpt situational judgement test preparation the situational judgement test at a glance oct 28 2022 the situational judgement test at a glance provides a sound introduction to the sjt and details ways you can prepare before the assessment it includes worked case examples based on real life scenarios

pdf agpt situational judgement test preparation - Jun 13 2023

web test performance dec 12 2020 situational judgement test mar 27 2022 this timely volume offers a definitive guide to the situational judgement test sjt with over 250 practice questions and all the advice necessary for exam success situational judgment tests nov 03 2022 situational judgment tests advances the science and practice of

[agpt situational judgement test preparation copy test thelyst](#) - Jul 02 2022

web agpt situational judgement test preparation 1 agpt situational judgement test preparation eventually you will entirely discover a supplementary experience and realization by spending more cash still when attain you bow to that you require to get those all needs later than having significantly

agpt situational judgement test preparation speakings gestamp - Jun 01 2022

web jun 15 2023 about agpt situational judgement test preparation and how to guide agpt situational judgement test preparation that categorized in agpt situational judgement test preparation agpt situational judgement test preparation ebooks agpt situational judgement test preparation is available on pdf epub and doc format

agpt situational judgement test preparation sam arabtravelers - Jan 08 2023

web free situational judgement test prep tips 10 questions free agpt situational judgement test preparation sjt bmj onexamination situational judgement tests free online practice tests agpt situational judgement test preparation sample questions situational reasoning test free practice tests agpt situational

agpt situational judgement test preparation - Feb 09 2023

web 2 agpt situational judgement test preparation 2019 08 02 hiring process for the job situational judgement test sjt online practice practice4mesituational judgement test preparation may not be easy but it is necessary how important is the situational judgement test score for my evaluation

situational judgement free aptitude tests at aptitude test com - Mar 30 2022

web introduction about this test consists of 5 situational judgement scenarios you have 10 minutes to complete the test when you are ready click begin to start the test loading questions

[agpt situational judgement test preparation pdf 2023](#) - Mar 10 2023

web agpt situational judgement test preparation pdf recognizing the artifice ways to get this books agpt situational judgement test preparation pdf is additionally useful you have remained in right site to begin getting this info acquire the agpt situational judgement test preparation pdf associate that we give here and check out the link

[caakt tips general practice registrars australia](#) - Aug 15 2023

web may 25 2021 knowledge test kt questions 60 questions situational judgement test sjt questions 20 questions in order to be preparing for the caakt the racgp recommend familiarising yourself with their five domains of general practice if in doubt refer back to these five domains

