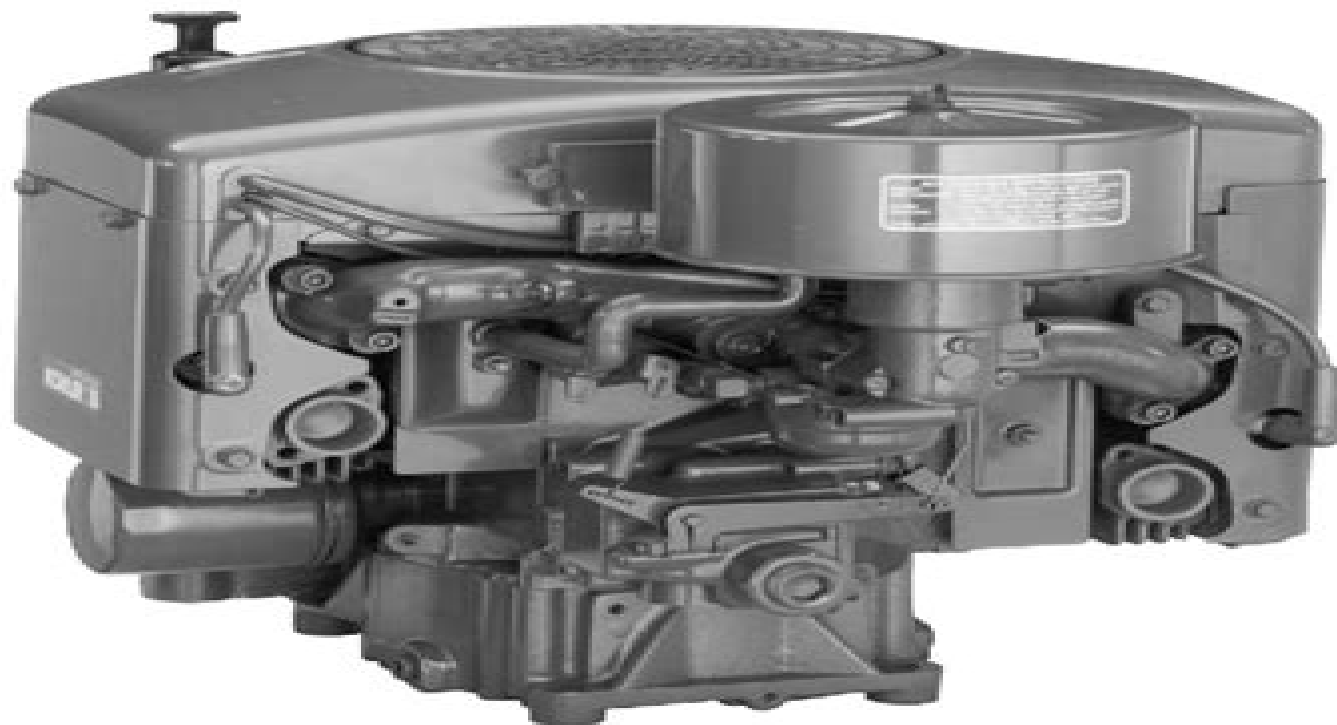

OWNER'S MANUAL

MAGNUM 16, 18, 20 HP

VERTICAL CRANKSHAFT



KOHLER
ENGINES

Kohler Magnum 16 Service Manual

Wolfgang Guggemos



Kohler Magnum 16 Service Manual:

Constructor ,1988 *Catalog of Sears, Roebuck and Company* Sears, Roebuck and Company,1991 Popular Mechanics ,1995-01 Popular Mechanics inspires instructs and influences readers to help them master the modern world Whether it s practical DIY home improvement tips gadgets and digital technology information on the newest cars or the latest breakthroughs in science PM is the ultimate guide to our high tech lifestyle **Nursery Manager** ,1992 Farmers and Consumers Market Bulletin ,2010 Tree Care Industry ,1995 Field & Stream ,1975-09 FIELD STREAM America s largest outdoor sports magazine celebrates the outdoor experience with great stories compelling photography and sound advice while honoring the traditions hunters and fishermen have passed down for generations Arbor Age ,1986 **Sport Aviation** ,1996 **Ski Area Management** ,1986 *Metalworking News* ,1987 **Braby's Commercial Directory of Southern Africa** ,1994 Editor & Publisher International Year Book ,2007 The encyclopedia of the newspaper industry
Whitaker's Cumulative Book List ,1979 *Joyce in the Belly of the Big Truck; Workbook* Joyce A. Cascio,2005-05

Whitaker's Books in Print ,1990 Who's Who in the World ,1995 Marquis Who's Who,1995-12 This single volume affords instant access to more than 35 000 individual biographies of the people whose activities are shaping today s world Among those profiled are prominent government figures high ranking military officers leaders of the largest corporations in each country heads of religious organizations pioneers in science the arts many more Bookseller and the Stationery Trades' Journal ,1978 **Service Manual** ,1985 Maintenance Manual for Models 6-498, 12-498, 8-498, 16-498 General Motors Corporation. Cleveland Diesel Engine Division,1960

Recognizing the showing off ways to acquire this ebook **Kohler Magnum 16 Service Manual** is additionally useful. You have remained in right site to begin getting this info. acquire the Kohler Magnum 16 Service Manual belong to that we meet the expense of here and check out the link.

You could buy guide Kohler Magnum 16 Service Manual or acquire it as soon as feasible. You could speedily download this Kohler Magnum 16 Service Manual after getting deal. So, following you require the ebook swiftly, you can straight acquire it. Its consequently no question easy and thus fats, isnt it? You have to favor to in this publicize

<https://staging.conocer.cide.edu/data/detail/HomePages/kymco%20yager%2050%20manual.pdf>

Table of Contents Kohler Magnum 16 Service Manual

1. Understanding the eBook Kohler Magnum 16 Service Manual
 - The Rise of Digital Reading Kohler Magnum 16 Service Manual
 - Advantages of eBooks Over Traditional Books
2. Identifying Kohler Magnum 16 Service Manual
 - Exploring Different Genres
 - Considering Fiction vs. Non-Fiction
 - Determining Your Reading Goals
3. Choosing the Right eBook Platform
 - Popular eBook Platforms
 - Features to Look for in an Kohler Magnum 16 Service Manual
 - User-Friendly Interface
4. Exploring eBook Recommendations from Kohler Magnum 16 Service Manual
 - Personalized Recommendations
 - Kohler Magnum 16 Service Manual User Reviews and Ratings
 - Kohler Magnum 16 Service Manual and Bestseller Lists
5. Accessing Kohler Magnum 16 Service Manual Free and Paid eBooks

- Kohler Magnum 16 Service Manual Public Domain eBooks
 - Kohler Magnum 16 Service Manual eBook Subscription Services
 - Kohler Magnum 16 Service Manual Budget-Friendly Options
6. Navigating Kohler Magnum 16 Service Manual eBook Formats
 - ePub, PDF, MOBI, and More
 - Kohler Magnum 16 Service Manual Compatibility with Devices
 - Kohler Magnum 16 Service Manual Enhanced eBook Features
 7. Enhancing Your Reading Experience
 - Adjustable Fonts and Text Sizes of Kohler Magnum 16 Service Manual
 - Highlighting and Note-Taking Kohler Magnum 16 Service Manual
 - Interactive Elements Kohler Magnum 16 Service Manual
 8. Staying Engaged with Kohler Magnum 16 Service Manual
 - Joining Online Reading Communities
 - Participating in Virtual Book Clubs
 - Following Authors and Publishers Kohler Magnum 16 Service Manual
 9. Balancing eBooks and Physical Books Kohler Magnum 16 Service Manual
 - Benefits of a Digital Library
 - Creating a Diverse Reading Collection Kohler Magnum 16 Service Manual
 10. Overcoming Reading Challenges
 - Dealing with Digital Eye Strain
 - Minimizing Distractions
 - Managing Screen Time
 11. Cultivating a Reading Routine Kohler Magnum 16 Service Manual
 - Setting Reading Goals Kohler Magnum 16 Service Manual
 - Carving Out Dedicated Reading Time
 12. Sourcing Reliable Information of Kohler Magnum 16 Service Manual
 - Fact-Checking eBook Content of Kohler Magnum 16 Service Manual
 - Distinguishing Credible Sources
 13. Promoting Lifelong Learning
 - Utilizing eBooks for Skill Development

- Exploring Educational eBooks
- 14. Embracing eBook Trends
 - Integration of Multimedia Elements
 - Interactive and Gamified eBooks

Kohler Magnum 16 Service Manual Introduction

In today's digital age, the availability of Kohler Magnum 16 Service Manual books and manuals for download has revolutionized the way we access information. Gone are the days of physically flipping through pages and carrying heavy textbooks or manuals. With just a few clicks, we can now access a wealth of knowledge from the comfort of our own homes or on the go. This article will explore the advantages of Kohler Magnum 16 Service Manual books and manuals for download, along with some popular platforms that offer these resources. One of the significant advantages of Kohler Magnum 16 Service Manual books and manuals for download is the cost-saving aspect. Traditional books and manuals can be costly, especially if you need to purchase several of them for educational or professional purposes. By accessing Kohler Magnum 16 Service Manual versions, you eliminate the need to spend money on physical copies. This not only saves you money but also reduces the environmental impact associated with book production and transportation. Furthermore, Kohler Magnum 16 Service Manual books and manuals for download are incredibly convenient. With just a computer or smartphone and an internet connection, you can access a vast library of resources on any subject imaginable. Whether you're a student looking for textbooks, a professional seeking industry-specific manuals, or someone interested in self-improvement, these digital resources provide an efficient and accessible means of acquiring knowledge. Moreover, PDF books and manuals offer a range of benefits compared to other digital formats. PDF files are designed to retain their formatting regardless of the device used to open them. This ensures that the content appears exactly as intended by the author, with no loss of formatting or missing graphics. Additionally, PDF files can be easily annotated, bookmarked, and searched for specific terms, making them highly practical for studying or referencing. When it comes to accessing Kohler Magnum 16 Service Manual books and manuals, several platforms offer an extensive collection of resources. One such platform is Project Gutenberg, a nonprofit organization that provides over 60,000 free eBooks. These books are primarily in the public domain, meaning they can be freely distributed and downloaded. Project Gutenberg offers a wide range of classic literature, making it an excellent resource for literature enthusiasts. Another popular platform for Kohler Magnum 16 Service Manual books and manuals is Open Library. Open Library is an initiative of the Internet Archive, a non-profit organization dedicated to digitizing cultural artifacts and making them accessible to the public. Open Library hosts millions of books, including both public domain works and contemporary titles. It also allows users to borrow digital copies of certain books for a limited period, similar to a library.

lending system. Additionally, many universities and educational institutions have their own digital libraries that provide free access to PDF books and manuals. These libraries often offer academic texts, research papers, and technical manuals, making them invaluable resources for students and researchers. Some notable examples include MIT OpenCourseWare, which offers free access to course materials from the Massachusetts Institute of Technology, and the Digital Public Library of America, which provides a vast collection of digitized books and historical documents. In conclusion, Kohler Magnum 16 Service Manual books and manuals for download have transformed the way we access information. They provide a cost-effective and convenient means of acquiring knowledge, offering the ability to access a vast library of resources at our fingertips. With platforms like Project Gutenberg, Open Library, and various digital libraries offered by educational institutions, we have access to an ever-expanding collection of books and manuals. Whether for educational, professional, or personal purposes, these digital resources serve as valuable tools for continuous learning and self-improvement. So why not take advantage of the vast world of Kohler Magnum 16 Service Manual books and manuals for download and embark on your journey of knowledge?

FAQs About Kohler Magnum 16 Service Manual Books

How do I know which eBook platform is the best for me? Finding the best eBook platform depends on your reading preferences and device compatibility. Research different platforms, read user reviews, and explore their features before making a choice. Are free eBooks of good quality? Yes, many reputable platforms offer high-quality free eBooks, including classics and public domain works. However, make sure to verify the source to ensure the eBook credibility. Can I read eBooks without an eReader? Absolutely! Most eBook platforms offer web-based readers or mobile apps that allow you to read eBooks on your computer, tablet, or smartphone. How do I avoid digital eye strain while reading eBooks? To prevent digital eye strain, take regular breaks, adjust the font size and background color, and ensure proper lighting while reading eBooks. What the advantage of interactive eBooks? Interactive eBooks incorporate multimedia elements, quizzes, and activities, enhancing the reader engagement and providing a more immersive learning experience. Kohler Magnum 16 Service Manual is one of the best book in our library for free trial. We provide copy of Kohler Magnum 16 Service Manual in digital format, so the resources that you find are reliable. There are also many Ebooks of related with Kohler Magnum 16 Service Manual. Where to download Kohler Magnum 16 Service Manual online for free? Are you looking for Kohler Magnum 16 Service Manual PDF? This is definitely going to save you time and cash in something you should think about.

Find Kohler Magnum 16 Service Manual :

[kymco yager 50 manual](#)

[kymco people 250 scooter service repair workshop manual](#)

[kyocera qualcomm 3g cdma phone manual](#)

kymco dink 125

kyocera dp 110 service repair manual parts list

[kx65 service repair workshop manual 2000 2008](#)

[kzn grade 1maths lit paper june 2memo](#)

kymco yup 250 1999 2008 full service repair manual

[l-cruiser 100 manual](#)

[kx100 full manual diagram](#)

[kumon level g math answer book](#)

[kur of gor gorean saga book 28](#)

[kyocera fs1030d service manual parts list](#)

[kymco agility 150 manuale officina](#)

[kx250 r1 service manual](#)

Kohler Magnum 16 Service Manual :

Shape packet - TPT Geometry - Identify 2D and 3D shapes worksheet and quiz packet. Created by. Sassycat Educational Resources. Shapes and Designs Practice Answers Sample answer: 9. The shape is a polygon. Angle B is acute. 10. 11. Acute angle: A, ... 7-1 Shapes and Designs - Concepts and Explanation A polygon which either has two sides with different lengths or two angles with different measures. Line (or mirror) Symmetry. Example. Line or Mirror Symmetry ... CHAPTER 5: Shapes and Designs CHAPTER 5: Shapes and Designs. Mathematics [Class 3]. 1. 1 Count the number of ... These worksheets can be uploaded on any school website. www.kv.school. Page 2 ... Shapes and Designs - NCERT Use different colour combinations to make your own patterns. Have you seen this shape in any other design — on a wall, a dress, on a basket, a mat etc ... Copy Shapes and Designs | Visual Motor Integration Copy Shapes and Designs. Shape reproduction is an important milestone that signifies ... This packet includes the Developmental appropriate level of progression. Shapes and Designs: Two-Dimensional Geometry ... Shapes and Designs: Two-Dimensional Geometry (Connected Mathematics) ; Dimensions. 7.75 x 0.25 x 9.75 inches ; ISBN-10. 0131808087 ; ISBN-13. 978-0131808089. Shapes - Autism Educators This pack includes: * 12 2" x 2"

squares with 2D or 3D coloured shapes and spelling (UK) - PDF and ready to print - Designed as a dyslexia aid, ideal for home ... Color and shape packets - TPT Browse color and shape packets resources on Teachers Pay Teachers, a marketplace trusted by millions of teachers for original ... UPMC St. Margaret School of Nursing - Pittsburgh UPMC St. Margaret School of Nursing. 221 7th Street Pittsburgh, PA 15238. Contact our admission team or request/send admission documents to: UPMCSMHSOSON ... How to Apply | UPMC Schools of Nursing Complete the UPMC Schools of Nursing online application. Answer ALL the questions ... St. Margaret's LPN-RN advanced track applicants, please review the exam ... UPMC Schools of Nursing - Education and Training UPMC Jameson School of Nursing at UPMC Hamot. Now Accepting Applications. 2024 Application Deadlines: St. Margaret LPN-RN track Fall 2024 - January 5, 2024 Admitted and Current Students at St. Margaret School of ... Attendance at St. Margaret School of Nursing. Our program is rigorous in order to prepare you to practice nursing at your full potential. That's why we ask that ... St. Margaret School of Nursing UPMC ... St. Margaret School of Nursing UPMC St. Margaret 2012 REGISTERED NURSE PROGRAM SCHOOL ... PSB test results if taken at any UPMC facility other than St. Margaret ... St. Margaret School of Nursing Preadmission testing (PSB, SAT or ACT) must be completed before application is made. ... If Borrower's full time employment as a registered nurse at UPMC is ... UPMC Saint Margaret - Page 3 - Pennsylvania Nursing Nov 6, 2013 — Nursing Programs · Erin Lee · 12 Most Affordable Psychiatric-Mental ... Registered Nurse · Travel Nurse · Nurse Practitioner · Nurse Anesthetist ... St. Margaret School of Nursing Frequently Asked Questions Get answers to the most frequently asked questions about UPMC's St. Margaret School of Nursing. Contact UPMC today for more information ... How do I apply to St. UPMC SCHOOLS OF NURSING. Application for Admission Application Deadline for the Nursing Program is February 2, 2015. Turn in to Room 110-H between the hours of 8 ... UPMC Shadyside School of Nursing As a prerequisite for admission, potential candidates with a high school diploma or GED must pass the PSB (Psychological Services Bureau) Nursing School ... Chevrolet Impala Trunk Lock Cylinder Low prices on Trunk Lock Cylinder for your Chevrolet Impala at Advance Auto Parts. Find aftermarket and OEM parts online or at a local store near you. Chevrolet Impala Lock - Trunk (Cylinder & Keys) Order Chevrolet Impala Lock - Trunk (Cylinder & Keys) online today. Free Same Day Store Pickup. Check out free battery charging and engine ... 2003 Chevrolet Impala Trunk Lock Cylinder Get the wholesale-priced Genuine OEM GM Trunk Lock Cylinder for 2003 Chevrolet Impala at GMPartsGiant Up to 50% off MSRP. Trunk for 2003 Chevrolet Impala | Auto Parts Express ... Locks. Trunk for 2003 Chevrolet Impala #0. 1. Trunk Lid. 10. Shaft 4 door. 11. Ajar Switch All models. Lock release. Firebird & formula. Lid ajar. Trans am. Exterior Locks & Lock Hardware for 2003 ... - eBay Get the best deals on Exterior Locks & Lock Hardware for 2003 Chevrolet Impala when you shop the largest online selection at eBay.com. How to remove a trunk lock actuator mechanism 2003 to 2013 ... Trunk for 2003 Chevrolet Impala 8. 25832354 - Body: Lock Cylinder for Chevrolet: Classic, Impala, Malibu, Monte. Ignition Lock Cylinder · 25832354. Lock Cylinder. All models. Impala, Monte ... Locks & Hardware for Chevrolet Impala - eBay 1961 1962

Impala Lock Cylinder Set Ignition Door Trunk Glove 2DRHT Convertible ... 2003 · 2004 · 2005 · 2006 · 2007 · 2008 · 2009 · 2010 · 2011 · 2012 · 2013 ... Replace trunk lock cylinder Jan 30, 2013 — Nope but the remote works. So they lock and unlock from there. All I have is the ignition. I was able to get the trunk open but have to go ...