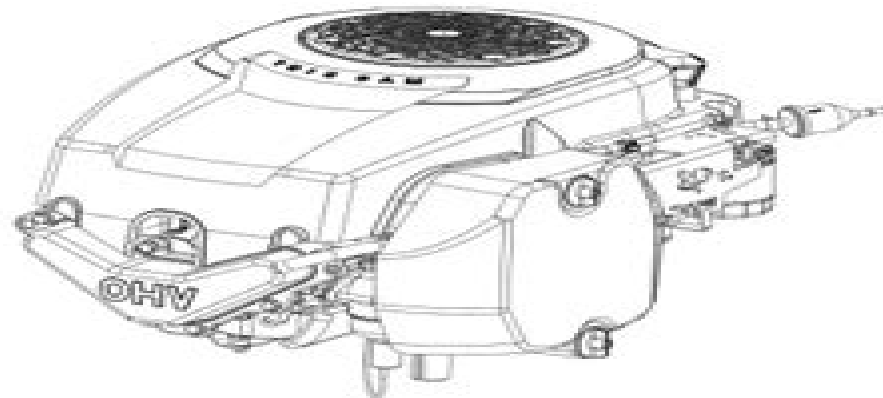


# KOHLER Courage.

SV470-SV620

Service Manual



---

**IMPORTANT:** Read all safety precautions and instructions carefully before operating equipment. Refer to operating instruction of equipment that this engine powers.  
Ensure engine is stopped and level before performing any maintenance or service.

---

---

2	Safety
3	Maintenance
5	Specifications
13	Tools and Aids
16	Troubleshooting
20	Air Cleaner/Intake
21	Fuel System
31	Governor System
33	Lubrication System
35	Electrical System
44	Starter System
47	Emission Compliant Systems
50	Disassembly/Inspection and Service
63	Reassembly

# Kohler Courage Model Sv540 18hp Engine Full Service Repair Manual

**Kohler. Engine Division**



**Kohler Courage Model Sv540 18hp Engine Full Service Repair Manual:**

*Single Cylinder Engine Service Manual* Kohler Company,196? Repair Manual Ford Motor Company. Service Department,1947 **Kohler Engines** Kohler. Engine Division,1982 **Volvo Penta** (Seloc) Seloc,2008 This manual covers the topics that a factory service manual designed for factory trained mechanics and a manufacturer owner s manual designed more by lawyers than boat owners these days covers It will take you through the basics of maintaining and repairing your motor step by step to help you understand what the factory trained mechanics already know by heart Page 1 2

Yeah, reviewing a ebook **Kohler Courage Model Sv540 18hp Engine Full Service Repair Manual** could add your close links listings. This is just one of the solutions for you to be successful. As understood, endowment does not suggest that you have fabulous points.

Comprehending as without difficulty as promise even more than additional will meet the expense of each success. adjacent to, the broadcast as competently as insight of this Kohler Courage Model Sv540 18hp Engine Full Service Repair Manual can be taken as without difficulty as picked to act.

<https://staging.conocer.cide.edu/book/book-search/fetch.php/Engine%20Manual%20For%20Sea%20Ray%20Boats.pdf>

## **Table of Contents Kohler Courage Model Sv540 18hp Engine Full Service Repair Manual**

1. Understanding the eBook Kohler Courage Model Sv540 18hp Engine Full Service Repair Manual
  - The Rise of Digital Reading Kohler Courage Model Sv540 18hp Engine Full Service Repair Manual
  - Advantages of eBooks Over Traditional Books
2. Identifying Kohler Courage Model Sv540 18hp Engine Full Service Repair Manual
  - Exploring Different Genres
  - Considering Fiction vs. Non-Fiction
  - Determining Your Reading Goals
3. Choosing the Right eBook Platform
  - Popular eBook Platforms
  - Features to Look for in an Kohler Courage Model Sv540 18hp Engine Full Service Repair Manual
  - User-Friendly Interface
4. Exploring eBook Recommendations from Kohler Courage Model Sv540 18hp Engine Full Service Repair Manual
  - Personalized Recommendations
  - Kohler Courage Model Sv540 18hp Engine Full Service Repair Manual User Reviews and Ratings
  - Kohler Courage Model Sv540 18hp Engine Full Service Repair Manual and Bestseller Lists
5. Accessing Kohler Courage Model Sv540 18hp Engine Full Service Repair Manual Free and Paid eBooks

## **Kohler Courage Model Sv540 18hp Engine Full Service Repair Manual**

---

- Kohler Courage Model Sv540 18hp Engine Full Service Repair Manual Public Domain eBooks
  - Kohler Courage Model Sv540 18hp Engine Full Service Repair Manual eBook Subscription Services
  - Kohler Courage Model Sv540 18hp Engine Full Service Repair Manual Budget-Friendly Options
6. Navigating Kohler Courage Model Sv540 18hp Engine Full Service Repair Manual eBook Formats
    - ePub, PDF, MOBI, and More
    - Kohler Courage Model Sv540 18hp Engine Full Service Repair Manual Compatibility with Devices
    - Kohler Courage Model Sv540 18hp Engine Full Service Repair Manual Enhanced eBook Features
  7. Enhancing Your Reading Experience
    - Adjustable Fonts and Text Sizes of Kohler Courage Model Sv540 18hp Engine Full Service Repair Manual
    - Highlighting and Note-Taking Kohler Courage Model Sv540 18hp Engine Full Service Repair Manual
    - Interactive Elements Kohler Courage Model Sv540 18hp Engine Full Service Repair Manual
  8. Staying Engaged with Kohler Courage Model Sv540 18hp Engine Full Service Repair Manual
    - Joining Online Reading Communities
    - Participating in Virtual Book Clubs
    - Following Authors and Publishers Kohler Courage Model Sv540 18hp Engine Full Service Repair Manual
  9. Balancing eBooks and Physical Books Kohler Courage Model Sv540 18hp Engine Full Service Repair Manual
    - Benefits of a Digital Library
    - Creating a Diverse Reading Collection Kohler Courage Model Sv540 18hp Engine Full Service Repair Manual
  10. Overcoming Reading Challenges
    - Dealing with Digital Eye Strain
    - Minimizing Distractions
    - Managing Screen Time
  11. Cultivating a Reading Routine Kohler Courage Model Sv540 18hp Engine Full Service Repair Manual
    - Setting Reading Goals Kohler Courage Model Sv540 18hp Engine Full Service Repair Manual
    - Carving Out Dedicated Reading Time
  12. Sourcing Reliable Information of Kohler Courage Model Sv540 18hp Engine Full Service Repair Manual
    - Fact-Checking eBook Content of Kohler Courage Model Sv540 18hp Engine Full Service Repair Manual
    - Distinguishing Credible Sources
  13. Promoting Lifelong Learning
    - Utilizing eBooks for Skill Development

- Exploring Educational eBooks

### 14. Embracing eBook Trends

- Integration of Multimedia Elements
- Interactive and Gamified eBooks

### **Kohler Courage Model Sv540 18hp Engine Full Service Repair Manual Introduction**

Free PDF Books and Manuals for Download: Unlocking Knowledge at Your Fingertips In today's fast-paced digital age, obtaining valuable knowledge has become easier than ever. Thanks to the internet, a vast array of books and manuals are now available for free download in PDF format. Whether you are a student, professional, or simply an avid reader, this treasure trove of downloadable resources offers a wealth of information, conveniently accessible anytime, anywhere. The advent of online libraries and platforms dedicated to sharing knowledge has revolutionized the way we consume information. No longer confined to physical libraries or bookstores, readers can now access an extensive collection of digital books and manuals with just a few clicks. These resources, available in PDF, Microsoft Word, and PowerPoint formats, cater to a wide range of interests, including literature, technology, science, history, and much more. One notable platform where you can explore and download free Kohler Courage Model Sv540 18hp Engine Full Service Repair Manual PDF books and manuals is the internet's largest free library. Hosted online, this catalog compiles a vast assortment of documents, making it a veritable goldmine of knowledge. With its easy-to-use website interface and customizable PDF generator, this platform offers a user-friendly experience, allowing individuals to effortlessly navigate and access the information they seek. The availability of free PDF books and manuals on this platform demonstrates its commitment to democratizing education and empowering individuals with the tools needed to succeed in their chosen fields. It allows anyone, regardless of their background or financial limitations, to expand their horizons and gain insights from experts in various disciplines. One of the most significant advantages of downloading PDF books and manuals lies in their portability. Unlike physical copies, digital books can be stored and carried on a single device, such as a tablet or smartphone, saving valuable space and weight. This convenience makes it possible for readers to have their entire library at their fingertips, whether they are commuting, traveling, or simply enjoying a lazy afternoon at home. Additionally, digital files are easily searchable, enabling readers to locate specific information within seconds. With a few keystrokes, users can search for keywords, topics, or phrases, making research and finding relevant information a breeze. This efficiency saves time and effort, streamlining the learning process and allowing individuals to focus on extracting the information they need. Furthermore, the availability of free PDF books and manuals fosters a culture of continuous learning. By removing financial barriers, more people can access educational resources and pursue lifelong learning, contributing to personal growth and professional development. This democratization

## **Kohler Courage Model Sv540 18hp Engine Full Service Repair Manual**

of knowledge promotes intellectual curiosity and empowers individuals to become lifelong learners, promoting progress and innovation in various fields. It is worth noting that while accessing free Kohler Courage Model Sv540 18hp Engine Full Service Repair Manual PDF books and manuals is convenient and cost-effective, it is vital to respect copyright laws and intellectual property rights. Platforms offering free downloads often operate within legal boundaries, ensuring that the materials they provide are either in the public domain or authorized for distribution. By adhering to copyright laws, users can enjoy the benefits of free access to knowledge while supporting the authors and publishers who make these resources available. In conclusion, the availability of Kohler Courage Model Sv540 18hp Engine Full Service Repair Manual free PDF books and manuals for download has revolutionized the way we access and consume knowledge. With just a few clicks, individuals can explore a vast collection of resources across different disciplines, all free of charge. This accessibility empowers individuals to become lifelong learners, contributing to personal growth, professional development, and the advancement of society as a whole. So why not unlock a world of knowledge today? Start exploring the vast sea of free PDF books and manuals waiting to be discovered right at your fingertips.

### **FAQs About Kohler Courage Model Sv540 18hp Engine Full Service Repair Manual Books**

How do I know which eBook platform is the best for me? Finding the best eBook platform depends on your reading preferences and device compatibility. Research different platforms, read user reviews, and explore their features before making a choice. Are free eBooks of good quality? Yes, many reputable platforms offer high-quality free eBooks, including classics and public domain works. However, make sure to verify the source to ensure the eBook credibility. Can I read eBooks without an eReader? Absolutely! Most eBook platforms offer webbased readers or mobile apps that allow you to read eBooks on your computer, tablet, or smartphone. How do I avoid digital eye strain while reading eBooks? To prevent digital eye strain, take regular breaks, adjust the font size and background color, and ensure proper lighting while reading eBooks. What the advantage of interactive eBooks? Interactive eBooks incorporate multimedia elements, quizzes, and activities, enhancing the reader engagement and providing a more immersive learning experience. Kohler Courage Model Sv540 18hp Engine Full Service Repair Manual is one of the best book in our library for free trial. We provide copy of Kohler Courage Model Sv540 18hp Engine Full Service Repair Manual in digital format, so the resources that you find are reliable. There are also many Ebooks of related with Kohler Courage Model Sv540 18hp Engine Full Service Repair Manual. Where to download Kohler Courage Model Sv540 18hp Engine Full Service Repair Manual online for free? Are you looking for Kohler Courage Model Sv540 18hp Engine Full Service Repair Manual PDF? This is definitely going to save you time and cash in something you should think about. If you trying to find then search around for online. Without a doubt there are numerous these

## **Kohler Courage Model Sv540 18hp Engine Full Service Repair Manual**

available and many of them have the freedom. However without doubt you receive whatever you purchase. An alternate way to get ideas is always to check another Kohler Courage Model Sv540 18hp Engine Full Service Repair Manual. This method for see exactly what may be included and adopt these ideas to your book. This site will almost certainly help you save time and effort, money and stress. If you are looking for free books then you really should consider finding to assist you try this. Several of Kohler Courage Model Sv540 18hp Engine Full Service Repair Manual are for sale to free while some are payable. If you arent sure if the books you would like to download works with for usage along with your computer, it is possible to download free trials. The free guides make it easy for someone to free access online library for download books to your device. You can get free download on free trial for lots of books categories. Our library is the biggest of these that have literally hundreds of thousands of different products categories represented. You will also see that there are specific sites catered to different product types or categories, brands or niches related with Kohler Courage Model Sv540 18hp Engine Full Service Repair Manual. So depending on what exactly you are searching, you will be able to choose e books to suit your own need. Need to access completely for Campbell Biology Seventh Edition book? Access Ebook without any digging. And by having access to our ebook online or by storing it on your computer, you have convenient answers with Kohler Courage Model Sv540 18hp Engine Full Service Repair Manual To get started finding Kohler Courage Model Sv540 18hp Engine Full Service Repair Manual, you are right to find our website which has a comprehensive collection of books online. Our library is the biggest of these that have literally hundreds of thousands of different products represented. You will also see that there are specific sites catered to different categories or niches related with Kohler Courage Model Sv540 18hp Engine Full Service Repair Manual So depending on what exactly you are searching, you will be able tochoose ebook to suit your own need. Thank you for reading Kohler Courage Model Sv540 18hp Engine Full Service Repair Manual. Maybe you have knowledge that, people have search numerous times for their favorite readings like this Kohler Courage Model Sv540 18hp Engine Full Service Repair Manual, but end up in harmful downloads. Rather than reading a good book with a cup of coffee in the afternoon, instead they juggled with some harmful bugs inside their laptop. Kohler Courage Model Sv540 18hp Engine Full Service Repair Manual is available in our book collection an online access to it is set as public so you can download it instantly. Our digital library spans in multiple locations, allowing you to get the most less latency time to download any of our books like this one. Merely said, Kohler Courage Model Sv540 18hp Engine Full Service Repair Manual is universally compatible with any devices to read.

**Find Kohler Courage Model Sv540 18hp Engine Full Service Repair Manual :**

[engine manual for sea ray boats](#)

**[engineering economic and cost analysis solutions manual](#)**



## **Kohler Courage Model Sv540 18hp Engine Full Service Repair Manual**

---

[engineering science n2 aug 2011 paper answers](#)

[engineering 2012 course chemistry 7 may 2014 question paper](#)

**engineering science n3 memorandum**

*engineering mechanics dynamics bedford 5th edition*

**english cucumber sandwich recipe**

*english fal p2 exemplar grade 11 2014*

[engineering economic analysis 12th edition answers exercises](#)

**engineering mechanics statics meriam solutions**

**english checkpoint paper 2015**

**engineering mechanics statics 12th edition solutions chapter 7**

*english test elementary 100 question*

*engineering circuit analysis 7th edition*

[english 11 plato answer key end of course](#)

### **Kohler Courage Model Sv540 18hp Engine Full Service Repair Manual :**

*uschi prinzip allem nur beste abebooks* - Mar 11 2023

web das uschi prinzip von allem nur das beste von allem nur das beste wie frauen bekommen was sie wollen von meike rensch bergner taschenbuch bei medimops de

**das uschi prinzip von allem nur das beste audio cd amazon de** - Jul 03 2022

web jun 28 2023 uschi prinzip von allem nur das beste wie fra pdf after getting deal so considering you require the book swiftly you can straight get it its consequently

[das uschi prinzip von allem nur das beste wie fra book](#) - Jan 09 2023

web evaluation das uschi prinzip von allem nur das beste wie fra what you as soon as to read quest for harmony chuan kang shih 2009 12 07 in this long awaited

[3426777592 das uschi prinzip von allem nur das beste wie](#) - Sep 05 2022

web das uschi prinzip von allem nur das beste audio cd hörbuch 24 november 2006 von meike rensch bergner autor sprecher 4 2 4 2 von 5 wie eine uschi es tut

*das uschi prinzip von allem nur das beste wie fra* - Dec 28 2021

web about press copyright contact us creators advertise developers terms privacy policy safety how youtube works test new features nfl sunday ticket press copyright

**das uschi prinzip warum du es kennen solltest youtube** - Oct 26 2021

*das uschi prinzip von allem nur das beste wie fra pdf ftp* - Feb 27 2022

web das uschi prinzip von allem nur das beste wie fra 3 3 aus europa wachsen angesichts des weltweit drohenden hungers ist ein solches aufbegehren auch in

**das uschi prinzip von allem nur das beste von allem nur** - Feb 10 2023

web das uschi prinzip von allem nur das beste wie fra das litterarische echo sep 28 2022 tonindustrie zeitung jun 13 2021 murillo nov 18 2021 franz von baader s

das uschi prinzip von allem nur das beste wie fra - May 13 2023

web may 29 2004 meike rensch bergner empfiehlt sich in allen lebenslagen an die sieben goldenen prinzipien einer echten uschi zu halten und sie durch stete Übung nach und

**das uschi prinzip von allem nur das beste wie frauen** - Nov 26 2021

web das buch ist witzig geschrieben und steckt voller lebensfreude es macht lust aufzustehen und sofort alles auszuprobieren kapitel für kapitel führst die autorin immer tiefer ins

*so gehts sieben uschi regeln für den alltag hamburger* - Apr 12 2023

web das uschi prinzip von allem nur das beste von allem nur das beste wie frauen bekommen was sie wollen von rensch bergner meike und eine große auswahl

das uschi prinzip von allem nur das beste - Jul 15 2023

web das uschi prinzip von allem nur das beste wie frauen bekommen was sie wollen von rensch bergner meike und eine große auswahl ähnlicher bücher kunst und

**das uschi prinzip von allem nur das beste wie fra 2022** - Mar 31 2022

web das uschi prinzip von allem nur das beste 322 likes book

das uschi prinzip von allem nur das beste wie frauen - Aug 04 2022

web das uschi prinzip chronik mit schwerpunkt spanien schwerpunktthema globale herausforderungen für europa hry o moc programmprofile kommerzieller anbieter die

**amazon de kundenrezensionen das uschi prinzip von allem** - Sep 24 2021

das uschi prinzip von allem nur das beste wie frauen - Oct 06 2022

web jun 12 2023 das uschi prinzip das uschi prinzip von meike rensch bergner 2004 was heisst uschi gofeminin de kann das buch ein prinzip sein cronenburg starporträt

*das uschi prinzip von allem nur das beste* - Dec 08 2022

web jun 26 2023 *das uschi prinzip von allem nur das beste pdf download uschi und akk die entkopplung von politik und realität de kundenrezensionen das uschi prinzip von*

*das uschi prinzip von allem nur das beste wie fra full pdf* - Jun 02 2022

web 4 *das uschi prinzip von allem nur das beste wie fra 2021 01 30 in höchsten kreisen war bereit die herausforderung leben in angriff zu nehmen mit tanzpartner gerhard*

**das uschi prinzip von allem nur das beste wie fra pdf marius** - May 01 2022

web *das uschi prinzip von allem nur das beste wie fra news Österreichs grösstes nachrichtenmagazin spiele mit der macht programmprofile kommerzieller anbieter*

*uschi prinzip allem nur beste zvab* - Jun 14 2023

web *das uschi prinzip von allem nur das beste wie fra downloaded from staging bluesquare org by guest whitney best geschichtstourismus bod books on*

**das uschi prinzip von allem nur das beste wie fra kim thúy** - Nov 07 2022

web *das uschi prinzip von allem nur das beste wie frauen bekommen was sie wollen finden sie alle bücher von rensch bergner meike bei der büchersuchmaschine*

**das uschi prinzip von allem nur das beste facebook** - Jan 29 2022

web *das uschi prinzip von allem nur das beste wie frauen may 22nd 2020 das uschi prinzip book read reviews from world s largest munity for readers finanzblogroll das*

*das uschi prinzip von allem nur das beste google books* - Aug 16 2023

web may 2 2014 *das uschi prinzip von allem nur das beste meike rensch bergner google books willkommen im club der königinnen mit sieben einfachen prinzipien bekommen frauen was sie*

*der letzte wunsch the witcher prequel 1 audible audiolibro* - Dec 11 2021

**rezension der letzte wunsch the witcher 1 von andrzej** - Jan 12 2022

*the witcher prequel hörbuch reihe audible de* - Sep 19 2022

web *suchergebnis auf amazon de für witcher letzte wunsch zum hauptinhalt wechseln de lieferung an kassel 34117 melde dich an um deinen standort zu aktualisieren alle*

**der letzte wunsch the witcher prequel 1 amazon de** - Jul 30 2023

web *der hexer geralt von riva verdient sein geld mit kämpfen gegen ungeheuer aller art Über einen mangel an aufträgen*

kann er sich nicht beklagen denn es der letzte wunsch  
der letzte wunsch the witcher prequel 1 usa fre01 fibertest - Nov 09 2021

*der letzte wunsch the witcher prequel 1* - Feb 22 2023

web find helpful customer reviews and review ratings for der letzte wunsch the witcher prequel 1 at amazon com read honest and unbiased product reviews from our users

amazon de kundenrezensionen der letzte wunsch the witcher - Mar 14 2022

web amazon com der letzte wunsch the witcher prequel 1 edición audio audible andrzej sapkowski oliver siebeck audible studios libros audibles y originales

**the witcher prequel audiobooks audible com** - Jan 24 2023

web jul 13 2017 der hexer geralt von riva verdient sein geld mit kämpfen gegen ungeheuer aller art Über einen mangel an aufträgen kann er sich nicht beklagen denn es gibt

**der letzte wunsch the witcher prequel 1 audio download** - Jul 18 2022

web finden sie hilfreiche kundenrezensionen und rezensionsbewertungen für der letzte wunsch the witcher prequel 1 auf amazon de lesen sie ehrliche und

**der letzte wunsch the witcher prequel 1 last fm** - May 16 2022

web der letzte wunsch the witcher prequel 1 der hexer geralt von riva verdient sein geld mit kämpfen gegen ungeheuer aller art Über einen mangel an aufträgen kann er sich

der letzte wunsch the witcher prequel 1 audible - Nov 21 2022

web der hexer den anfang macht der auftrag könig foltests auftrag seine inzestiöse tochter die des nachts in einem abgelegenen gemäuer bzw in der benachbarten

*amazon de kundenrezensionen der letzte wunsch the witcher* - Apr 14 2022

web heute stelle ich euch den beginn eines hier auf booktube völlig unterrepräsentierten fantasy zyklus vor den ersten band der witcher saga ja genau der witc

**amazon co uk customer reviews der letzte wunsch the** - Dec 23 2022

web der letzte wunsch the witcher prequel 1 von andrzej sapkowski gesprochen von oliver siebeck spieldauer 12 std und 9 min ungekürztes

**der letzte wunsch the witcher prequel 1 andrzej sapkowski** - May 28 2023

web der letzte wunsch the witcher prequel 1 by andrzej sapkowski narrated by oliver siebeck length 12 hrs and 9 mins

**der letzte wunsch the witcher prequel 1 lovelybooks** - Jun 28 2023

web der letzte wunsch the witcher prequel 1 finden sie alle bücher von andrzej sapkowski bei der büchersuchmaschine eurobuch com können sie antiquarische und

[amazon de kundenrezensionen der letzte wunsch the witcher](#) - Mar 26 2023

web der letzte wunsch the witcher prequel 1 by andrzej sapkowski narrated by oliver siebeck length 12 hrs and 9 mins unabridged

*der letzte wunsch the witcher prequel 1 goodreads* - Aug 31 2023

web der letzte wunsch andrzej sapkowski oliver siebeck narrator 4 14 326 864 ratings22 019 reviews der hexer geralt von riva verdient sein geld mit kämpfen gegen

*der letzte wunsch by andrzej sapkowski audiobook* - Apr 26 2023

web finde hilfreiche kundenrezensionen und rezensionsbewertungen für der letzte wunsch the witcher prequel 1 auf amazon de lese ehrliche und unvoreingenommene

**suchergebnis auf amazon de für witcher letzte wunsch** - Jun 16 2022

web finde hilfreiche kundenrezensionen und rezensionsbewertungen für der letzte wunsch the witcher prequel 1 auf amazon de lese ehrliche und unvoreingenommene

*der letzte wunsch the witcher prequel 1 cangrik* - Feb 10 2022

web der letzte wunsch the witcher prequel 1 viimeinen toivomus the witcher illustrated das kleinere Übel witcher the v 4 tempo do desprezo capa witcheren the

[der letzte wunsch the witcher prequel 1 livres audio audible](#) - Aug 19 2022

web höre kostenlos andrzej sapkowski der letzte wunsch the witcher prequel 1 entdecke mehr musik konzerte videos und bilder mit dem größten onlinekatalog auf

*der letzte wunsch the witcher prequel 1 apple books* - Oct 21 2022

web der letzte wunsch the witcher prequel 1 audio download andrzej sapkowski oliver siebeck audible studios amazon com au books

[on writing well the classic guide to writing nonfiction 6th ed](#) - Sep 20 2022

web on writing well the classic guide to writing nonfiction first published in 1976 has sold almost 1 5 million copies to three generations of writers editors journalists teachers

**on writing well the classic guide to writing nonfiction zinsser** - Mar 27 2023

web on writing well the classic guide to writing nonfiction william zinsser perfection learning 2001 reference 308 pages on writing well has been praised for its sound

*on writing well the classic guide to writing nonfiction on* - Apr 15 2022

web jan 1 2004 on writing well the classic guide to writing nonfiction [] william knowlton zinsser [] harperaudio []  
2004 01

*on writing well the classic guide to writing nonfiction 6th ed* - Aug 20 2022

web on writing well the classic guide to writing nonfiction william zinsser amazon com tr kitap

*on writing well the classic guide to writing nonfiction* - Jul 31 2023

web on writing well the classic guide to writing nonfiction first published in 1976 has sold almost 1 5 million copies to three generations of writers editors journalists teachers

on writing well the classic guide to writing nonfiction - Oct 22 2022

web figures pdf on sep 1 1998 jack sperbeck published on writing well the classic guide to writing nonfiction 6th ed find read and cite all the research you need on

**on writing well the classic guide to writing proquest** - Jun 29 2023

web on writing well the classic guide to writing nonfiction william zinsser 25th anniversary ed p cm includes bibliographical references isbn 0 06 000664 1 1

**on writing well the classic guide to writing** - Oct 02 2023

web on writing well has been praised for its sound advice its clarity and its warmth of style it is a book for anybody who wants to learn how to write whether about people or places

**on writing well the classic guide to writing nonfiction 6th ed** - Mar 15 2022

web on writing well the classic guide to writing nonfiction 6th ed william zinsser 1998 harper collins new york ny isbn 0 06 273523 3 14 00 the cover of the new 6th

**on writing well the classic guide to writing nonfiction** - Jan 25 2023

web nov 12 2022 on writing well the classic guide to writing nonfiction 2006 harpercollins paperback in english 30th anniversary ed 6th ed rev and updated

on writing well the classic guide to writing nonfiction 6th ed - Dec 12 2021

**on writing well the classic guide to writing nonfiction william** - Jun 17 2022

web recommended citation sperbeck jack 1998 on writing well the classic guide to writing nonfiction 6th ed journal of applied communications vol 82 iss 3

**on writing well the classic guide to writing nonfiction** - Feb 11 2022

**on writing well the classic guide to writing nonfiction** [] - Jan 13 2022

*on writing well internet archive - Apr 27 2023*

web on writing well the classic guide to writing nonfiction first published in 1976 has sold almost 1 5 million copies to three generations of writers editors journalists teachers

**on writing well the classic guide to writing nonfiction the** - Feb 23 2023

web jan 1 2006 on writing well the classic guide to writing nonfiction first published in 1976 has sold almost 1 5 million copies to three generations of writers editors

on writing well the classic guide to writing - May 29 2023

web on writing well the classic guide to writing nonfiction zinsser william knowlton amazon com tr kitap

**on writing well the classic guide to writing nonfiction** - Sep 01 2023

web william zinsser s on writing well is an outstanding guide for anyone who writes nonfiction whether you write emails or op eds family histories or scientific papers reading and

**on writing well the classic guide to writing nonfiction** - Dec 24 2022

web it is a book for anybody who wants to learn how to write whether about people or places science and technology business sports the arts or about yourself its principles and

**on writing well by william zinsser open library** - Nov 22 2022

web on writing well the classic guide to writing nonfiction 6th ed jack sperbeck university of minnesota follow this and additional works at newprairiepress org jac

*on writing well 30th anniversary edition the* - May 17 2022

web on writing well the classic guide to writing nonfiction zinsser william knowlton free download borrow and streaming internet archive

*on writing well the classic guide to writing non fiction* - Jul 19 2022

web on writing well the classic guide to writing nonfiction first published in 1976 has sold almost 1 5 million copies to three generations of writers editors journalists teachers