

# KOHLER. Command PRO

CH682, CH732, CH742, CH752

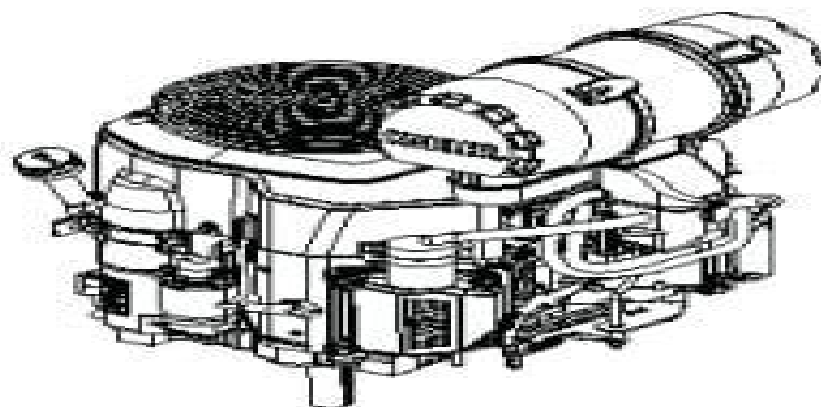
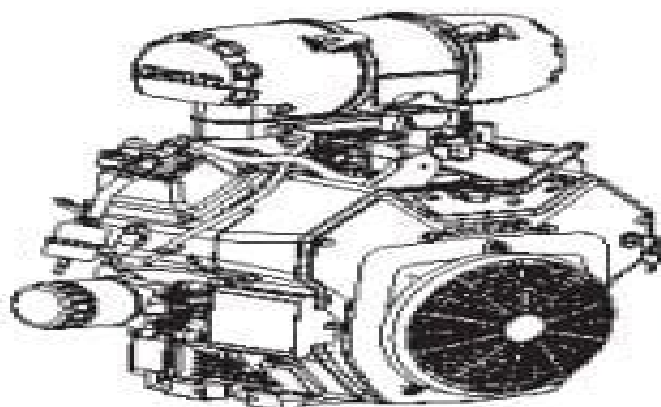
CV682, CV732, CV742, CV752

Owner's Manual

EN

ESS

FRC



---

## IMPORTANT:

Read all safety precautions and instructions carefully before operating equipment. Refer to operating instruction of equipment that this engine powers.

Ensure engine is stopped and level before performing any maintenance or service.

Warranty coverage as outlined in warranty card and on KohlerEngines.com. Please review carefully as it provides your specific rights and obligations.

To maintain compliance with applicable emission regulations, exhaust system backpressure may not exceed limits which can be found on KohlerEngines.com. Search by Model No., select Read More, then select Specs tab.

---

Record engine information to reference when ordering parts or obtaining warranty coverage.

Engine Model \_\_\_\_\_

Specification \_\_\_\_\_

Serial Number \_\_\_\_\_

Purchase Date \_\_\_\_\_

# Kohler Command Cv23 Cv25 Cv730 Cv26 Service Repair Manual

**Michael Brown**



**Kohler Command Cv23 Cv25 Cv730 Cv26 Service Repair Manual:**

The Enigmatic Realm of **Kohler Command Cv23 Cv25 Cv730 Cv26 Service Repair Manual**: Unleashing the Language is Inner Magic

In a fast-paced digital era where connections and knowledge intertwine, the enigmatic realm of language reveals its inherent magic. Its capacity to stir emotions, ignite contemplation, and catalyze profound transformations is nothing lacking extraordinary. Within the captivating pages of **Kohler Command Cv23 Cv25 Cv730 Cv26 Service Repair Manual** a literary masterpiece penned by a renowned author, readers attempt a transformative journey, unlocking the secrets and untapped potential embedded within each word. In this evaluation, we shall explore the book's core themes, assess its distinct writing style, and delve into its lasting affect the hearts and minds of those who partake in its reading experience.

<https://staging.conocer.cide.edu/book/uploaded-files/fetch.php/kirklin%20barratt%20boyes%20cardiac%20surgery%20v.pdf>

## **Table of Contents Kohler Command Cv23 Cv25 Cv730 Cv26 Service Repair Manual**

1. Understanding the eBook Kohler Command Cv23 Cv25 Cv730 Cv26 Service Repair Manual
  - The Rise of Digital Reading Kohler Command Cv23 Cv25 Cv730 Cv26 Service Repair Manual
  - Advantages of eBooks Over Traditional Books
2. Identifying Kohler Command Cv23 Cv25 Cv730 Cv26 Service Repair Manual
  - Exploring Different Genres
  - Considering Fiction vs. Non-Fiction
  - Determining Your Reading Goals
3. Choosing the Right eBook Platform
  - Popular eBook Platforms
  - Features to Look for in an eBook Kohler Command Cv23 Cv25 Cv730 Cv26 Service Repair Manual
  - User-Friendly Interface
4. Exploring eBook Recommendations from Kohler Command Cv23 Cv25 Cv730 Cv26 Service Repair Manual
  - Personalized Recommendations
  - Kohler Command Cv23 Cv25 Cv730 Cv26 Service Repair Manual User Reviews and Ratings

- Kohler Command Cv23 Cv25 Cv730 Cv26 Service Repair Manual and Bestseller Lists
- 5. Accessing Kohler Command Cv23 Cv25 Cv730 Cv26 Service Repair Manual Free and Paid eBooks
  - Kohler Command Cv23 Cv25 Cv730 Cv26 Service Repair Manual Public Domain eBooks
  - Kohler Command Cv23 Cv25 Cv730 Cv26 Service Repair Manual eBook Subscription Services
  - Kohler Command Cv23 Cv25 Cv730 Cv26 Service Repair Manual Budget-Friendly Options
- 6. Navigating Kohler Command Cv23 Cv25 Cv730 Cv26 Service Repair Manual eBook Formats
  - ePub, PDF, MOBI, and More
  - Kohler Command Cv23 Cv25 Cv730 Cv26 Service Repair Manual Compatibility with Devices
  - Kohler Command Cv23 Cv25 Cv730 Cv26 Service Repair Manual Enhanced eBook Features
- 7. Enhancing Your Reading Experience
  - Adjustable Fonts and Text Sizes of Kohler Command Cv23 Cv25 Cv730 Cv26 Service Repair Manual
  - Highlighting and Note-Taking Kohler Command Cv23 Cv25 Cv730 Cv26 Service Repair Manual
  - Interactive Elements Kohler Command Cv23 Cv25 Cv730 Cv26 Service Repair Manual
- 8. Staying Engaged with Kohler Command Cv23 Cv25 Cv730 Cv26 Service Repair Manual
  - Joining Online Reading Communities
  - Participating in Virtual Book Clubs
  - Following Authors and Publishers Kohler Command Cv23 Cv25 Cv730 Cv26 Service Repair Manual
- 9. Balancing eBooks and Physical Books Kohler Command Cv23 Cv25 Cv730 Cv26 Service Repair Manual
  - Benefits of a Digital Library
  - Creating a Diverse Reading Collection Kohler Command Cv23 Cv25 Cv730 Cv26 Service Repair Manual
- 10. Overcoming Reading Challenges
  - Dealing with Digital Eye Strain
  - Minimizing Distractions
  - Managing Screen Time
- 11. Cultivating a Reading Routine Kohler Command Cv23 Cv25 Cv730 Cv26 Service Repair Manual
  - Setting Reading Goals Kohler Command Cv23 Cv25 Cv730 Cv26 Service Repair Manual
  - Carving Out Dedicated Reading Time
- 12. Sourcing Reliable Information of Kohler Command Cv23 Cv25 Cv730 Cv26 Service Repair Manual
  - Fact-Checking eBook Content of Kohler Command Cv23 Cv25 Cv730 Cv26 Service Repair Manual
  - Distinguishing Credible Sources

13. Promoting Lifelong Learning
  - Utilizing eBooks for Skill Development
  - Exploring Educational eBooks
14. Embracing eBook Trends
  - Integration of Multimedia Elements
  - Interactive and Gamified eBooks

### **Kohler Command Cv23 Cv25 Cv730 Cv26 Service Repair Manual Introduction**

In this digital age, the convenience of accessing information at our fingertips has become a necessity. Whether its research papers, eBooks, or user manuals, PDF files have become the preferred format for sharing and reading documents. However, the cost associated with purchasing PDF files can sometimes be a barrier for many individuals and organizations. Thankfully, there are numerous websites and platforms that allow users to download free PDF files legally. In this article, we will explore some of the best platforms to download free PDFs. One of the most popular platforms to download free PDF files is Project Gutenberg. This online library offers over 60,000 free eBooks that are in the public domain. From classic literature to historical documents, Project Gutenberg provides a wide range of PDF files that can be downloaded and enjoyed on various devices. The website is user-friendly and allows users to search for specific titles or browse through different categories. Another reliable platform for downloading Kohler Command Cv23 Cv25 Cv730 Cv26 Service Repair Manual free PDF files is Open Library. With its vast collection of over 1 million eBooks, Open Library has something for every reader. The website offers a seamless experience by providing options to borrow or download PDF files. Users simply need to create a free account to access this treasure trove of knowledge. Open Library also allows users to contribute by uploading and sharing their own PDF files, making it a collaborative platform for book enthusiasts. For those interested in academic resources, there are websites dedicated to providing free PDFs of research papers and scientific articles. One such website is Academia.edu, which allows researchers and scholars to share their work with a global audience. Users can download PDF files of research papers, theses, and dissertations covering a wide range of subjects. Academia.edu also provides a platform for discussions and networking within the academic community. When it comes to downloading Kohler Command Cv23 Cv25 Cv730 Cv26 Service Repair Manual free PDF files of magazines, brochures, and catalogs, Issuu is a popular choice. This digital publishing platform hosts a vast collection of publications from around the world. Users can search for specific titles or explore various categories and genres. Issuu offers a seamless reading experience with its user-friendly interface and allows users to download PDF files for offline reading. Apart from dedicated platforms, search engines also play a crucial role in finding free PDF files. Google, for instance, has an advanced search feature that allows users to filter results by file type.

By specifying the file type as "PDF," users can find websites that offer free PDF downloads on a specific topic. While downloading Kohler Command Cv23 Cv25 Cv730 Cv26 Service Repair Manual free PDF files is convenient, its important to note that copyright laws must be respected. Always ensure that the PDF files you download are legally available for free. Many authors and publishers voluntarily provide free PDF versions of their work, but its essential to be cautious and verify the authenticity of the source before downloading Kohler Command Cv23 Cv25 Cv730 Cv26 Service Repair Manual. In conclusion, the internet offers numerous platforms and websites that allow users to download free PDF files legally. Whether its classic literature, research papers, or magazines, there is something for everyone. The platforms mentioned in this article, such as Project Gutenberg, Open Library, Academia.edu, and Issuu, provide access to a vast collection of PDF files. However, users should always be cautious and verify the legality of the source before downloading Kohler Command Cv23 Cv25 Cv730 Cv26 Service Repair Manual any PDF files. With these platforms, the world of PDF downloads is just a click away.

### **FAQs About Kohler Command Cv23 Cv25 Cv730 Cv26 Service Repair Manual Books**

How do I know which eBook platform is the best for me? Finding the best eBook platform depends on your reading preferences and device compatibility. Research different platforms, read user reviews, and explore their features before making a choice. Are free eBooks of good quality? Yes, many reputable platforms offer high-quality free eBooks, including classics and public domain works. However, make sure to verify the source to ensure the eBook credibility. Can I read eBooks without an eReader? Absolutely! Most eBook platforms offer webbased readers or mobile apps that allow you to read eBooks on your computer, tablet, or smartphone. How do I avoid digital eye strain while reading eBooks? To prevent digital eye strain, take regular breaks, adjust the font size and background color, and ensure proper lighting while reading eBooks. What the advantage of interactive eBooks? Interactive eBooks incorporate multimedia elements, quizzes, and activities, enhancing the reader engagement and providing a more immersive learning experience. Kohler Command Cv23 Cv25 Cv730 Cv26 Service Repair Manual is one of the best book in our library for free trial. We provide copy of Kohler Command Cv23 Cv25 Cv730 Cv26 Service Repair Manual in digital format, so the resources that you find are reliable. There are also many Ebooks of related with Kohler Command Cv23 Cv25 Cv730 Cv26 Service Repair Manual. Where to download Kohler Command Cv23 Cv25 Cv730 Cv26 Service Repair Manual online for free? Are you looking for Kohler Command Cv23 Cv25 Cv730 Cv26 Service Repair Manual PDF? This is definitely going to save you time and cash in something you should think about. If you trying to find then search around for online. Without a doubt there are numerous these available and many of them have the freedom. However without doubt you receive whatever you purchase. An alternate way to get ideas is always to check another Kohler Command Cv23 Cv25 Cv730 Cv26 Service Repair Manual. This method for see exactly what may be

included and adopt these ideas to your book. This site will almost certainly help you save time and effort, money and stress. If you are looking for free books then you really should consider finding to assist you try this. Several of Kohler Command Cv23 Cv25 Cv730 Cv26 Service Repair Manual are for sale to free while some are payable. If you arent sure if the books you would like to download works with for usage along with your computer, it is possible to download free trials. The free guides make it easy for someone to free access online library for download books to your device. You can get free download on free trial for lots of books categories. Our library is the biggest of these that have literally hundreds of thousands of different products categories represented. You will also see that there are specific sites catered to different product types or categories, brands or niches related with Kohler Command Cv23 Cv25 Cv730 Cv26 Service Repair Manual. So depending on what exactly you are searching, you will be able to choose e books to suit your own need. Need to access completely for Campbell Biology Seventh Edition book? Access Ebook without any digging. And by having access to our ebook online or by storing it on your computer, you have convenient answers with Kohler Command Cv23 Cv25 Cv730 Cv26 Service Repair Manual To get started finding Kohler Command Cv23 Cv25 Cv730 Cv26 Service Repair Manual, you are right to find our website which has a comprehensive collection of books online. Our library is the biggest of these that have literally hundreds of thousands of different products represented. You will also see that there are specific sites catered to different categories or niches related with Kohler Command Cv23 Cv25 Cv730 Cv26 Service Repair Manual So depending on what exactly you are searching, you will be able to choose ebook to suit your own need. Thank you for reading Kohler Command Cv23 Cv25 Cv730 Cv26 Service Repair Manual. Maybe you have knowledge that, people have search numerous times for their favorite readings like this Kohler Command Cv23 Cv25 Cv730 Cv26 Service Repair Manual, but end up in harmful downloads. Rather than reading a good book with a cup of coffee in the afternoon, instead they juggled with some harmful bugs inside their laptop. Kohler Command Cv23 Cv25 Cv730 Cv26 Service Repair Manual is available in our book collection an online access to it is set as public so you can download it instantly. Our digital library spans in multiple locations, allowing you to get the most less latency time to download any of our books like this one. Merely said, Kohler Command Cv23 Cv25 Cv730 Cv26 Service Repair Manual is universally compatible with any devices to read.

**Find Kohler Command Cv23 Cv25 Cv730 Cv26 Service Repair Manual :**

~~kirklin barratt boyes cardiac surgery v2~~

~~kit homes modern~~

~~king at christmas~~

~~kinks kronikles~~

~~kiss out~~



[kiss a memoir](#)

[kitchen sink concert](#)

[king kongsearch for kong](#)

[kingdoms and strongholds of the crusaders](#)

**kindred spirits daily readings**

~~[kingdom in the sun coloring](#)~~

[king of the north and the ten horns of the beast](#)

[kishangarh painting](#)

[king of the outlaw horde zane greys arizona ames](#)

[king of the dollhouse](#)

**Kohler Command Cv23 Cv25 Cv730 Cv26 Service Repair Manual :**

**rbse class 10 science notes in hindi english medium pdf** - Aug 23 2023

web apr 20 2022 class 10 rbse science notes chapter 1 chemical reactions and equations notes chapter 2 acids bases and salts notes chapter 3 metals and non metals notes chapter 4 carbon and its compounds notes chapter 5 periodic classification of elements notes chapter 6 life processes notes chapter 7 control

**cbse notes for class 10 science ncert notes class 10 science** - Apr 07 2022

web class 10 science basically includes some important chapters from the ncert book like chemical reactions and equations electricity magnetic effects of electric current acids bases and salts control and coordination reflection and refraction of light carbon and its compounds etc

**rbse syllabus for class 10 science 2024 download new syllabus** - May 08 2022

web free download rbse syllabus for class 10 science 2024 prepare for your board exam 2024 with the latest updated rajasthan board ssc syllabus

**rajasthan board class 10 science book byju s** - Oct 13 2022

web download rajasthan board class 10 science book 2021 22 students can download the chapter wise rbse science book for class 10 2020 2021 edition in english and hindi from the respective links shown in the table below chapters pdf

**rbse class 10 science notes class 10 science notes** - Sep 12 2022

web rbse class 10 science notes class 10 science notes class 2 video class 1 click rbse class 10 science notes class 2 video class 2 click rbse class 10 science notes class 2 video class 3 rbse class 10 science notes class 2 video class 4 class 10 science notes class 2 video class 3

**rbse class 10 science notes in hindi and english medium** - Jul 22 2023

web jul 5 2019 rbse class 10 science notes in hindi and english medium rbse class 10 science notes pdf download in both hindi medium and english medium are part of rbse class 10 notes here we have given rajasthan board books rbse class 10th science notes pdf vigyan

*rbse class 10 science notes in english pdf download* - Mar 06 2022

web aug 28 2020 these notes will be based on the syllabus of your 10th class the notes we are going to give you are prepared by experienced teachers if you want to have notes in hindi medium then click rbse class 10 science notes in hindi medium pdf or for s st notes click rbse class 10 social science notes in hindi pdf you will definitely get

*rajasthan board rbse class 10 science syllabus latest 2023 24 vedantu* - Jun 09 2022

web rajasthan board class 10 science syllabus provided here will help you note down the important topics which you are strong at and prepare accordingly rajasthan board rbse science syllabus for class 10 will be uploaded soon on this page last updated date 22nd aug 2023 total views 427 8k views today 9 27k

**rbse class 10 science notes in hindi medium english** - Sep 24 2023

web apr 12 2022 rbse class 10 science notes in english medium class 10 rbse science notes chapter 1 chemical reactions and equations notes chapter 2 acids bases and salts notes chapter 3 metals and non metals notes chapter 4 carbon and its compounds notes chapter 5 periodic classification of elements notes chapter 6 life

rbse solutions for class 10 science notes sabdekho - Jun 21 2023

web sep 20 2021 chapter 1 chemical reactions and equations chapter 2 acids bases and salts chapter 3 metals and non metals chapter 4 carbon and its compounds chapter 5 periodic classification of elements chapter 6 life processes chapter 7 control and coordination chapter 8 how do organisms reproduce chapter 9 heredity and evolution

**rbse class 10 science notes in hindi pdf all chapters 2023** - Feb 05 2022

web apr 29 2020 the online rbse class 10 science notes in hindi make your education interesting being suitable for hindi medium and class 10 syllabus these notes work as step by step guide to scoring more in board exams how do the notes help they are easy written in hindi for better understanding detailed deductions are provided

*ncert class 10th science handwritten notes 2021 22 rbse class 10th* - Nov 14 2022

web jun 22 2021 because here in this article we will provide you with ncert class 10 science notes in hindi medium you will be able to download the pdf file for all the chapters these notes will be useful for students of many state and central education boards these notes have been prepared by experienced teachers

**rbse class 10 science notes chapter 1 chemical rbse** - May 20 2023

web apr 12 2022 rbse class 10 science notes chapter 1 chemical reactions and equations april 12 2022 by fazal leave a comment these comprehensive rbse class 10 science notes chapter 1 chemical reactions and equations will give a brief

overview of all the concepts rbse class 10 science chapter 1 notes chemical reactions and

[rbse class 10 science syllabus 2023 24 download revised](#) - Jul 10 2022

web jun 21 2023 rbse class 10 science course structure will be as follows check unit wise syllabus below unit 1 chemical substances nature and behaviour unit 2 world of living unit 3 natural

**rbse solutions for class 10 science in hindi medium english** - Jan 16 2023

web apr 16 2022 rbse class 10 science solutions in english medium chapter 1 chemical reactions and equations chapter 2 acids bases and salts chapter 3 metals and non metals chapter 4 carbon and its compounds chapter 5 periodic classification of elements chapter 6 life processes chapter 7 control and coordination chapter 8

[rbse 10th science syllabus 2023 download rajasthan board class 10](#) - Aug 11 2022

web nov 30 2022 rbse class 10th science syllabus 2023 view the latest science syllabus of class 10th by rajasthan state board of education also download the new syllabus in pdf

[rbse class 10 science notes chapter 1 class 10 science notes](#) - Dec 15 2022

web rbse class 10 science notes pdf in hindi rbse board class 10 notes chapter 1 acids bases and salts chapter 2 acids bases and salts chapter 3 metals and non metals chapter 4 carbon and its compounds chapter 5 periodic classification of elements chapter 6 life processes chapter 7 control and coordination chapter 8

**rbse class 10 science notes chapter 2 acids bases and salts** - Feb 17 2023

web apr 12 2022 these comprehensive rbse class 10 science notes chapter 2 acids bases and salts will give a brief overview of all the concepts rbse class 10 science chapter 2 notes acids bases and salts acids are sour in taste and turns blue litmus paper into red bases are bitter in taste and turns red litmus paper into blue

**rbse class 10th notes 2021 22 rn study masala** - Apr 19 2023

web jun 22 2021 rbse 10th ncert notes 2022 download pdf 1 rbse class 10th science notes click here 2 rbse class 10th social science notes available soon 3 rbse class 10th maths notes available soon 4 rbse class 10th hindi notes available soon 5 rbse class 10th sanskrit notes available soon 6 rbse class

[lesson10 sci pdf science notes teachmint](#) - Mar 18 2023

web science this classroom complete syllabus science rbse 10 complete notes chapter wise study material video images solutions for any problems assignment test and others many activity report

[the navigator mcnamee novel wikipedia](#) - Mar 04 2022

web the navigator is the first book in the navigator trilogy by eoin mcnamee it was published in 2007 by random house the trilogy was written for young adults and includes the navigator city of time and the frost child overview a boy named owen finds out that a mysterious entity the harsh is making time go backward

**the navigator a novel from the numa files worldcat org** - Nov 12 2022

web the navigator a novel from the numa files find a copy in the library finding libraries that hold this item details abstract someone has killed for a statue stolen from the baghdad museum years ago and the numa team must find why reviews user contributed reviews tags add tags for the navigator a novel from the numa files

[the navigator a novel from the numa files abebooks](#) - Mar 16 2023

web isbn 9781597224833 hardcover brand wheeler publishing 2007 condition new the navigator a novel from the numa files *the navigator numa wiki fandom* - Jul 08 2022

web years ago an ancient phoenician statue known as the navigator was stolen from the baghdad museum and there are men who would do anything to get their hands on it their first victim is a crooked antiquities dealer murdered in cold blood their second very nearly is a un investigator who were

[the navigator numa files 7 the numa files paperback](#) - Aug 09 2022

web buy the navigator numa files 7 the numa files 1st penguin edition by cussler clive kemprecos paul isbn 9780141028200 paul kemprecos has co authored all of the numa files novels with clive cussler and is a shamus award winning author of six underwater detective thrillers he lives on cape cod massachusetts

**the navigator numa files 7 google books** - May 06 2022

web clive cussler continues his thrilling numa files with the navigator iraq 2003 in the post war looting of the treasures from baghdad s antiquities museum a legendary phoenician statue is stolen known as the navigator the statue points back to the days of king solomon and is the vital clue to a secret of unimaginable power lucky then that un

**the navigator cussler novel wikipedia** - Oct 23 2023

web the navigator is the seventh book in the numa files series of books co written by best selling author clive cussler and paul kemprecos and was published in june 2007 the main character of this series is kurt austin

*the navigator a novel from the numa files worldcat org* - Jan 14 2023

web the navigator a novel from the numa files find a copy in the library finding libraries that hold this item details tags

[the navigator the numa files amazon com](#) - May 18 2023

web jun 24 2008 audio cd 41 93 14 used from 3 45 1 new from 41 93 1 collectible from 39 98 kurt austin and the numa special assignments team search for an ancient middle eastern relic with secret ties to an american founding father in the 1 bestselling new york times bestselling series

**the navigator a novel from the numa files amazon com** - Dec 13 2022

web the navigator a novel from the numa files audible audiobook unabridged clive cussler author scott brick narrator 2 more 4 5 2 857 ratings see all formats and editions kindle 9 99 read with our free app audiobook 0 00

*the navigator numa files 7 by clive cussler goodreads* - Jun 19 2023

web jun 5 2007 3 978 340 ratings 360 reviews years ago an ancient phoenician statue known as the navigator was stolen from the baghdad museum and there are men who would do anything to get their hands on it their first victim is a crooked antiquities dealer murdered in cold blood

[the navigator numa files 7 the numa files kindle edition](#) - Jun 07 2022

web clive cussler author of the best selling dirk pitt novels arctic drift and trojan odyssey and co author paul kemprecos place their hero kurt austin in a globe trotting race against time in the navigator the seventh novel of the action packed numa files series lost city and polar shift are the fifth and sixth

**the navigator a novel from the numa files dymocks** - Feb 15 2023

web dec 1 2015 iraq 2003 in the post war looting of the treasures from baghdad s antiquities museum a legendary phoenician statue is stolen known as the navigator the statue points back to the days of king solomon and is the vital clue to a

**the navigator a novel from the numa files cussler clive free** - Aug 21 2023

web topics iraq war 2003 2011 austin kurt fictitious character marine scientists iraq war 2003 2011 archaeological thefts antiquities archaeological thefts austin kurt fictitious character destruction and pillage marine scientists

[the navigator a novel from the numa files publishers weekly](#) - Sep 22 2023

web clive cussler with paul kemprecos putnam 26 95 437pp isbn 978 0 399 15419 5 fans of action hero kurt austin of the national underwater and maritime agency expect imaginative plotting but

[british writer a s byatt author of the novel possession dies at 87](#) - Apr 05 2022

web nov 17 2023 author a s byatt whose books include the booker prize winning novel possession has died at the age of 87 byatt s publisher chatto windus said on friday that the author died peacefully

[the navigator numa files book 7 kindle edition amazon com](#) - Sep 10 2022

web jun 24 2008 the navigator numa files book 7 kindle edition by clive cussler author paul kemprecos author format kindle edition 4 5 2 833 ratings book 7 of 20 the numa files see all formats and editions kurt austin and the numa special

assignments team search for an ancient middle eastern relic with secret ties to an

*the navigator a novel from the numa files google books* - Jul 20 2023

web clive cussler penguin 2007 fiction 437 pages years ago an ancient phoenician statue known as the navigator was stolen from the baghdad museum and there are men who would do anything to

[the navigator a novel from the numa files abebooks](#) - Oct 11 2022

web nov 6 1997 the navigator a novel from the numa files cussler clive with paul kemprecos 8 305 ratings by goodreads isbn 10 0399154191 isbn 13 9780399154195 published by new york putnam 2007 dj used hardcover save for later from bookfever ioba volk iiams ione ca u s a abebooks seller since november 6

**the navigator a novel from the numa files 7 google books** - Apr 17 2023

web years after an ancient phoenician statue is stolen from the baghdad museum a series of murders sparks interest in the statue s relevance in austin and zavalala who lead the numa team on a

**university and colleges september intake in kenya 2023 2024** - Sep 04 2022

web jul 12 2021 ongoing universities and colleges september intake for the 2021 academic year apply now for your favourite postgraduate undergraduate degree diploma bachelor and certificate programmes courses kenya public universities september intakes university of nairobi september intake moi university september intake

august september intake 2021 2022 university of nairobi - May 12 2023

web faculty of agriculture a22 bachelor of science in agriculture a24 bachelor of science in food science technology a25 bachelor of science in range management a26 bachelor of science in management of agroecosystems and environment a83 bachelor of science in agricultural education and extension a85 bachelor of science in horticulture a87

university of nairobi september intake 2023 2024 - Nov 06 2022

web jul 12 2021 university of nairobi september intake university of nairobi announces for the information of the general public applicants parents and guardians that 2021 september intake has open for the admission of prospective applicants into various undergraduate and postgraduate programmes for the 2021 2022 academic year

university of nairobi intake 2023 2024 kenyadmission - Jul 02 2022

web main intake being in september october for all the courses and december january for bachelor of education arts bachelor of arts bachelor of commerce bachelor of hospitality management bachelor of travel and tourism

university of nairobi uon intake 2022 2023 - Mar 30 2022

web jul 17 2021 main intake being in september october for all the courses and december january for bachelor of education arts bachelor of arts bachelor of commerce bachelor of hospitality management bachelor of travel and tourism

**bachelor of architecture bachelor of university of nairobi** - Dec 27 2021

web admission requirements careers fees and funding exam regulations bachelor of architectural studies bachelor of architecture introduction this is a two tier degree programme

**university of nairobi uon september intake admission list** - Apr 11 2023

web nov 1 2022 below are the steps on how to check the university of nairobi uon september intake admission list status to know if your application is provisionally accepted not accepted or in progress for the 2023 2024 academic year

**university of nairobi september intake on progress** - Aug 15 2023

web university of nairobi september intake on progress apply for programmes bachelors masters and doctorate degrees offered in this department for the september intake 2021 to register click links below for each course of your choice

[university of nairobi uon september intake application](#) - Feb 09 2023

web nov 1 2021 university of nairobi september intake application form how to apply online uonbi admission entry requirements courses offered fees application dates and application closing date for 2023 2024 academic year

**university of nairobi 2023 august september intake** - Dec 07 2022

web aug 14 2023 0 by dkhamila congratulations on taking the first step towards achieving your educational goals 2023 september intake in progress apply online for instructions on how to apply click here below are undergraduate programmes offered in the department bachelor of science in agriculture

**september intake department of diplomacy and international** - Jan 08 2023

web mar 10 2021 01 september 1 12 40 pm call for submission of applications for the september intake the institute of diplomacy and international studies is pleased to announce the call for applications to candidates interested in pursuing academic excellence in international affairs we offer undergraduate graduate and ph d programs in

**welcome department of diplomacy and international studies** - Apr 30 2022

web application deadline wednesday september 20 2023 university of nairobi is offering masters scholarships for the 2023 2024 academic year the applications are open only

[uon postgraduate 2023 2024 intake application form](#) - Aug 03 2022

web the management of the university of nairobi uon has released the application form for admissions into postgraduate programmes in the institution the admission covers uon 2023 2024 postgraduate intake

**admission university of nairobi** - Jun 01 2022

web admission details for government sponsored students online application for self sponsored students undergraduate education graduate education

[online application site university of nairobi](#) - Jul 14 2023

web september 2023 intake 2023 2024 01 oct 2023 25 sep 2023 view programme details 4 bachelor of science in food science technology afs31 faculty of agriculture september 2023 intake 2023 2024 01 oct 2023 25 sep 2023 view programme details 5 bachelor of real estate bre3 faculty built environment and design september 2023

[university of nairobi intakes admission january april may](#) - Feb 26 2022

web jun 10 2022 university of nairobi uon january april may and september intakes are open for application and admissions below is how to apply and get your admission letter online university of nairobi admission for for january april may and september intakes photo source uon admission portal screenshot university of nairobi

[academic academics university of nairobi](#) - Oct 05 2022

web university of nairobi is offering masters scholarships for the 2023 2024 academic year the applications are open only to

applicants for the september 2023 intake read more

**university of nairobi uon september intake 2023 2024** - Mar 10 2023

web dec 17 2020 application dates university of nairobi has three intakes in an academic year main intake being in september october for all the courses and december september for bachelor of education arts bachelor of arts bachelor of commerce bachelor of hospitality management bachelor of travel and tourism

university of nairobi 2022 2023 intake eduloaded com - Jan 28 2022

web the university of nairobi intake admission 2022 2023 is open to all qualified applicants irrespective of colour race ethnic identity religion gender or national origin potential students may apply to any of the undergraduate postgraduate masters diploma doctorate bachelors pre masters distant learning international ph d programs courses at any

*september 2021 intake academics university of nairobi* - Jun 13 2023

web jun 18 2021 september 2021 intake by srutto on fri 06 18 2021 18 22 apply for the september 2021 intake tweets by academicsd event calendar oct 23 university of nairobi towers 16th floor telephone 020 4913008 020 4913009 registrar academics email reg academic uonbi ac ke