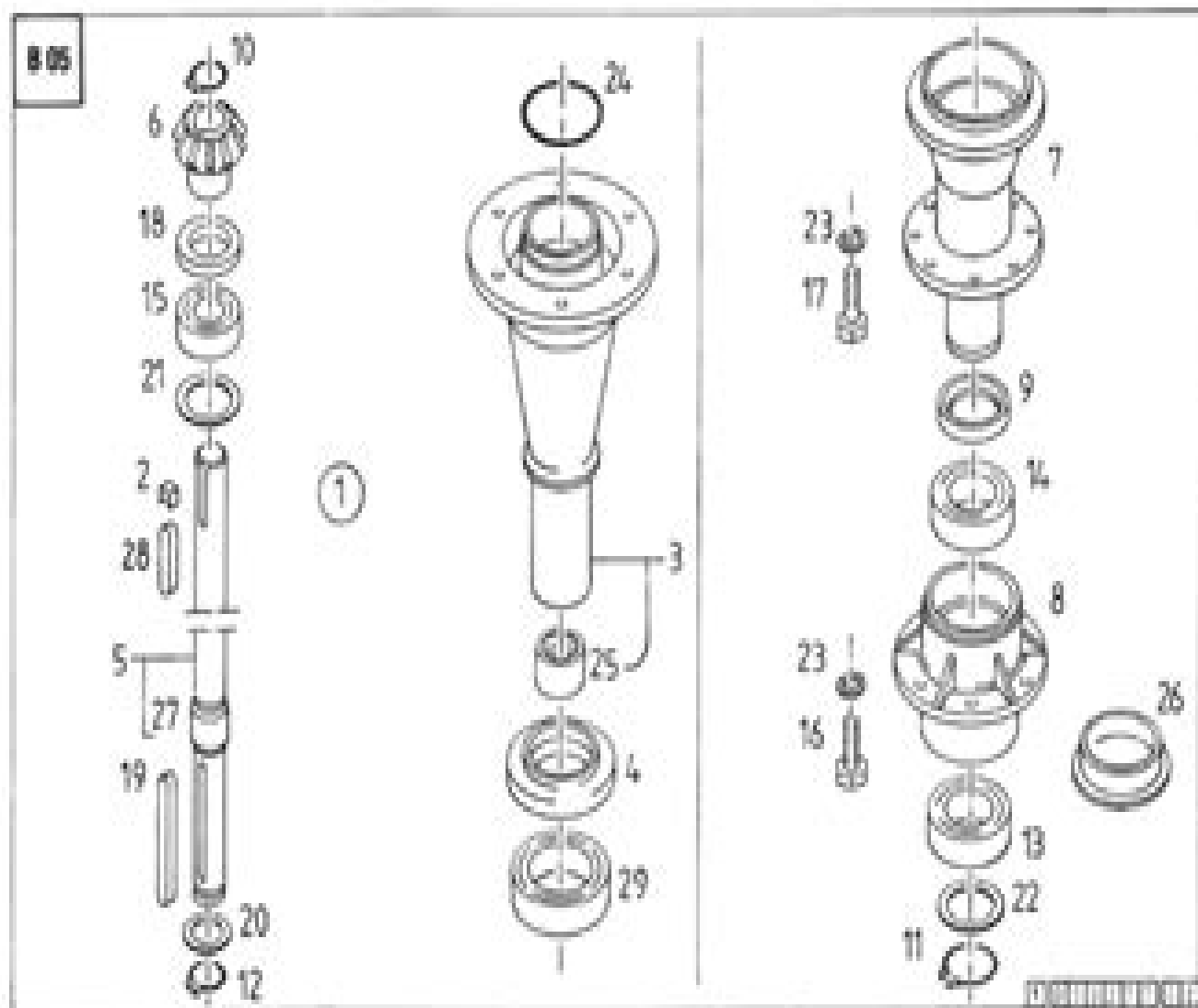


Page Thumbnails

Thumbnail view of a multi-page document. The central page is highlighted with a blue border. The thumbnails show various technical drawings and text pages.



# Fahr Km 20 Manual

**Richard Van Basshuysen, Fred  
Schaefer**



## **Fahr Km 20 Manual:**

**Manual of Meteorology** Napier Shaw, 2015-02-12 First published in 1936 this book by the renowned British meteorologist Napier Shaw focuses on comparative meteorology Teachers' Manual to Accompany New Civic Biology George William Hunter, 1927 Power Farming in Australia and New Zealand Technical Manual, 1989 Manual of Hypertension of the European Society of Hypertension Giuseppe Mancia, Guido Grassi, 2014-06-22 Despite recent advances in healthcare hypertension is a leading cause of death and remains a disease burden worldwide Now in its second edition the Manual of Hypertension of the European Society of Hypertension reflects emerging concepts that have the potential to impact diagnostic and therapeutic approaches to this condition Updating all mater Hemodialysis Manual Jerry P. Pendas, 1970 Master Service Manuals K. M. Newcum, 1949 Moody's Bank and Finance Manual, 1963 **Moody's Manual of Investments** John Sherman Porter, 1963 American government securities 1928 53 in 5 annual vols v 1 Railroad securities 1952 53 Transportation v 2 Industrial securities v 3 Public utility securities v 4 Government securities 1928 54 v 5 Banks insurance companies investment trusts real estate finance and credit companies 1928 54 **Moody's Manual of Investments, American and Foreign; Banks, Insurance Companies, Investment Trusts, Real Estate, Finance and Credit Companies**, 1954 Guide Specifications for Design and Construction of Segmental Concrete Bridges, 1989 American Association of State Highway and Transportation Officials, 1989 **Herzkatheter-Manual** Raimund Erbel, 2012

**Manual de conducta y terapéutica cardiovascular** Guillermo Saturno Chiu, Karina Lupercio Mora, Manual de conducta y terapéutica cardiovascular en su 2 edición es un libro donde se conjunta la experiencia y el talento de un gran número de especialistas que aportan información fundamental para que el lector profundice en cada tema y conozca los criterios diagnósticos y terapéuticos de los principales escenarios patológicos cardiovasculares La obra inicia con dos temas fundamentales Interrogatorio y exploración cardiovascular y El análisis radiológico del corazón Contiene un módulo completo de Electrocardiografía y arritmias donde se exponen escenarios electrocardiográficos complejos Se exponen de manera concisa y sencilla los síndromes coronarios enfatizando las características más importantes para sus diagnósticos como la conducta actual para su manejo Además de los módulos de Urgencias cardiovasculares Insuficiencia cardíaca Procedimientos y cuidados en el paciente crítico Cardiopatías congénitas todos de gran importancia para el especialista Cabe destacar que se incluyen temas innovadores de gran valor en esta edición como la Cardiopatías y embarazo los criterios para el implante de una Prótesis valvular aórtica transcatheter TAVI y las indicaciones para la Asistencia mecánica de la circulación Manual de conducta y terapéutica cardiovascular 2ª ed es un libro de consulta recomendado para el médico en formación en Cardiología que busca prepararse para la certificación en la especialidad por el Consejo Mexicano de Cardiología y para los especialistas en Cirugía cardiovascular y cardiología que requieren una actualización sobre cada tema Además es un texto de gran utilidad para los médicos en otras especialidades como Medicina interna Terapia intensiva y urgencias **Moody's Manual of**

**Investments: American and Foreign** John Sherman Porter,1954      Modern Engine Technology Richard Van Basshuysen,Fred Schaefer,2007-09-28 Part dictionary part encyclopedia Modern Engine Technology from A to Z will serve as your comprehensive reference guide for many years to come Keywords throughout the text are in alphabetical order and highlighted in blue to make them easier to find followed where relevant by subentries extending to as many as four sublevels Full color illustrations provide additional visual explanation to the reader This book features approximately 4 500 keywords with detailed cross references more than 1 700 illustrations some in full color in depth contributions from nearly 100 experts from industry and science engine development both theory and practice      *Highlights in psychology: Cognitive bias* Sergio Da Silva,Rashmi Gupta,Dario Monzani,2023-07-24      **Engineering Journal** ,1924      **European Water and Sewage** ,1926

**Water and Water Engineering** ,1926      *Inherited White Matter Disorders and Their Mimics* ,2024-09-23 Inherited White Matter Disorders and Their Mimics Volume 204 discusses where imaging abnormalities and pathology lie predominantly in the CNS white matter Many acquired causes such as multiple sclerosis are readily diagnosed and familiar to the majority of neurologists However less common acquired causes and genetic disorders the leukodystrophies and genetic leukoencephalopathies often present a diagnostic challenge The evaluation of patients with White matter disorders WMDs has evolved enormously in recent decades due to advances in genetics radiology and the development of treatments for specific disorders This book brings together WMD research spanning basic science molecular genetics and clinical and radiological phenotyping This volume presents both common WMDs and rare disorders according to their presentations or pathophysiology Chapters lay out the clinical and radiological presentation of the disorder followed by genetics and diagnostics and finally discussion of pathophysiology and treatment Chapter contain imaging clinical pearls to diagnosis and reference tables for genotype phenotype correlation For diagnostic work up easy to read algorithms are presented as well as clear guidance on indications for treatment where applicable Includes common and rare white matter disorders WMDs Summarizes advances in genetics radiology and treatments for WMDs Provides clinical and radiological phenotyping Contains imaging diagnostic algorithms and guidance on treatment      **The Journal of the Engineering Institute of Canada** Engineering Institute of Canada,1924

Immerse yourself in the artistry of words with is expressive creation, **Fahr Km 20 Manual** . This ebook, presented in a PDF format ( PDF Size: \*), is a masterpiece that goes beyond conventional storytelling. Indulge your senses in prose, poetry, and knowledge. Download now to let the beauty of literature and artistry envelop your mind in a unique and expressive way.

<https://staging.conocer.cide.edu/results/book-search/HomePages/Grade%2011%20Maths%20Lit%20Pape2%20Memorandum%202014.pdf>

## **Table of Contents Fahr Km 20 Manual**

1. Understanding the eBook Fahr Km 20 Manual
  - The Rise of Digital Reading Fahr Km 20 Manual
  - Advantages of eBooks Over Traditional Books
2. Identifying Fahr Km 20 Manual
  - Exploring Different Genres
  - Considering Fiction vs. Non-Fiction
  - Determining Your Reading Goals
3. Choosing the Right eBook Platform
  - Popular eBook Platforms
  - Features to Look for in an Fahr Km 20 Manual
  - User-Friendly Interface
4. Exploring eBook Recommendations from Fahr Km 20 Manual
  - Personalized Recommendations
  - Fahr Km 20 Manual User Reviews and Ratings
  - Fahr Km 20 Manual and Bestseller Lists
5. Accessing Fahr Km 20 Manual Free and Paid eBooks
  - Fahr Km 20 Manual Public Domain eBooks
  - Fahr Km 20 Manual eBook Subscription Services
  - Fahr Km 20 Manual Budget-Friendly Options

6. Navigating Fahr Km 20 Manual eBook Formats
  - ePub, PDF, MOBI, and More
  - Fahr Km 20 Manual Compatibility with Devices
  - Fahr Km 20 Manual Enhanced eBook Features
7. Enhancing Your Reading Experience
  - Adjustable Fonts and Text Sizes of Fahr Km 20 Manual
  - Highlighting and Note-Taking Fahr Km 20 Manual
  - Interactive Elements Fahr Km 20 Manual
8. Staying Engaged with Fahr Km 20 Manual
  - Joining Online Reading Communities
  - Participating in Virtual Book Clubs
  - Following Authors and Publishers Fahr Km 20 Manual
9. Balancing eBooks and Physical Books Fahr Km 20 Manual
  - Benefits of a Digital Library
  - Creating a Diverse Reading Collection Fahr Km 20 Manual
10. Overcoming Reading Challenges
  - Dealing with Digital Eye Strain
  - Minimizing Distractions
  - Managing Screen Time
11. Cultivating a Reading Routine Fahr Km 20 Manual
  - Setting Reading Goals Fahr Km 20 Manual
  - Carving Out Dedicated Reading Time
12. Sourcing Reliable Information of Fahr Km 20 Manual
  - Fact-Checking eBook Content of Fahr Km 20 Manual
  - Distinguishing Credible Sources
13. Promoting Lifelong Learning
  - Utilizing eBooks for Skill Development
  - Exploring Educational eBooks
14. Embracing eBook Trends
  - Integration of Multimedia Elements

- Interactive and Gamified eBooks

## **Fahr Km 20 Manual Introduction**

In the digital age, access to information has become easier than ever before. The ability to download Fahr Km 20 Manual has revolutionized the way we consume written content. Whether you are a student looking for course material, an avid reader searching for your next favorite book, or a professional seeking research papers, the option to download Fahr Km 20 Manual has opened up a world of possibilities. Downloading Fahr Km 20 Manual provides numerous advantages over physical copies of books and documents. Firstly, it is incredibly convenient. Gone are the days of carrying around heavy textbooks or bulky folders filled with papers. With the click of a button, you can gain immediate access to valuable resources on any device. This convenience allows for efficient studying, researching, and reading on the go. Moreover, the cost-effective nature of downloading Fahr Km 20 Manual has democratized knowledge. Traditional books and academic journals can be expensive, making it difficult for individuals with limited financial resources to access information. By offering free PDF downloads, publishers and authors are enabling a wider audience to benefit from their work. This inclusivity promotes equal opportunities for learning and personal growth. There are numerous websites and platforms where individuals can download Fahr Km 20 Manual. These websites range from academic databases offering research papers and journals to online libraries with an expansive collection of books from various genres. Many authors and publishers also upload their work to specific websites, granting readers access to their content without any charge. These platforms not only provide access to existing literature but also serve as an excellent platform for undiscovered authors to share their work with the world. However, it is essential to be cautious while downloading Fahr Km 20 Manual. Some websites may offer pirated or illegally obtained copies of copyrighted material. Engaging in such activities not only violates copyright laws but also undermines the efforts of authors, publishers, and researchers. To ensure ethical downloading, it is advisable to utilize reputable websites that prioritize the legal distribution of content. When downloading Fahr Km 20 Manual, users should also consider the potential security risks associated with online platforms. Malicious actors may exploit vulnerabilities in unprotected websites to distribute malware or steal personal information. To protect themselves, individuals should ensure their devices have reliable antivirus software installed and validate the legitimacy of the websites they are downloading from. In conclusion, the ability to download Fahr Km 20 Manual has transformed the way we access information. With the convenience, cost-effectiveness, and accessibility it offers, free PDF downloads have become a popular choice for students, researchers, and book lovers worldwide. However, it is crucial to engage in ethical downloading practices and prioritize personal security when utilizing online platforms. By doing so, individuals can make the most of the vast array of free PDF resources available and embark on a journey of continuous learning and intellectual growth.

## FAQs About Fahr Km 20 Manual Books

**What is a Fahr Km 20 Manual PDF?** A PDF (Portable Document Format) is a file format developed by Adobe that preserves the layout and formatting of a document, regardless of the software, hardware, or operating system used to view or print it. **How do I create a Fahr Km 20 Manual PDF?** There are several ways to create a PDF: Use software like Adobe Acrobat, Microsoft Word, or Google Docs, which often have built-in PDF creation tools. Print to PDF: Many applications and operating systems have a "Print to PDF" option that allows you to save a document as a PDF file instead of printing it on paper. Online converters: There are various online tools that can convert different file types to PDF. **How do I edit a Fahr Km 20 Manual PDF?** Editing a PDF can be done with software like Adobe Acrobat, which allows direct editing of text, images, and other elements within the PDF. Some free tools, like PDFescape or Smallpdf, also offer basic editing capabilities. **How do I convert a Fahr Km 20 Manual PDF to another file format?** There are multiple ways to convert a PDF to another format: Use online converters like Smallpdf, Zamzar, or Adobe Acrobats export feature to convert PDFs to formats like Word, Excel, JPEG, etc. Software like Adobe Acrobat, Microsoft Word, or other PDF editors may have options to export or save PDFs in different formats. **How do I password-protect a Fahr Km 20 Manual PDF?** Most PDF editing software allows you to add password protection. In Adobe Acrobat, for instance, you can go to "File" -> "Properties" -> "Security" to set a password to restrict access or editing capabilities. Are there any free alternatives to Adobe Acrobat for working with PDFs? Yes, there are many free alternatives for working with PDFs, such as: LibreOffice: Offers PDF editing features. PDFsam: Allows splitting, merging, and editing PDFs. Foxit Reader: Provides basic PDF viewing and editing capabilities. How do I compress a PDF file? You can use online tools like Smallpdf, ILovePDF, or desktop software like Adobe Acrobat to compress PDF files without significant quality loss. Compression reduces the file size, making it easier to share and download. Can I fill out forms in a PDF file? Yes, most PDF viewers/editors like Adobe Acrobat, Preview (on Mac), or various online tools allow you to fill out forms in PDF files by selecting text fields and entering information. Are there any restrictions when working with PDFs? Some PDFs might have restrictions set by their creator, such as password protection, editing restrictions, or print restrictions. Breaking these restrictions might require specific software or tools, which may or may not be legal depending on the circumstances and local laws.

## Find Fahr Km 20 Manual :

*grade 11 maths lit pape2 memorandum 2014*

grade 11-2014 business studies november exam exemplar

[grade 11 maths past papers](#)



[grade 11 business studies final exam 2014](#)

[grade 11 maths literacy june paper1](#)

[grade 11 physical sciences p2 dbc november 2014 memorandum](#)

**grade 11 mechanical exemplar 2014**

[grade 11 life science possible essays for november paper](#)

[grade 10 physical sciences september 2014](#)

**grade 11 life science exam paper2 limpopo**

[grade 11 economics paper 1 for 2013](#)

[grade 11 geography paper 1 november 2014](#)

**grade 11 caps maths lit term 3 lesson plan**

**grade 11 november 2013 business studies mindset learn memo**

[grade 11 life science practical exam 2014 term4 caps](#)

**Fahr Km 20 Manual :**

**unit 12 headway student s site oxford university press** - Jan 28 2023

web oct 28 2023 unit 12 headway student s site oxford university press headway student s site upper intermediate fourth edition everyday english audio and video downloads

**unit 12 secondary oxford university press** - Aug 03 2023

web unit 12 worksheet 12 1 word worksheet 12 2 word how to order contact your educational consultant 2023 catalogues online evaluation tell us what you think join educational research forum professional development rights permissions diversity inclusion help support primary teachers

**unit 12 california iuoe** - Oct 05 2023

web unit 12 provides the highest quality services and resources for a vast range of organizations within the state of california we care deeply for our members and we have a passion for staying current with the trends technology and innovations that will advance their success more about us

[unit 12 headway student s site oxford university press](#) - Jun 01 2023

web oct 31 2023 unit 12 headway student s site oxford university press headway student s site intermediate fourth edition grammar vocabulary everyday english audio and video downloads

**bbc learning english course intermediate unit 12** - Dec 27 2022

web open unit selector close unit selector unit 12 fashion forward select a unit 1 pop ups 2 hidden talents 3 can t buy me love

4 travellers tales 5 the colleague from hell 6 jurassic mystery  
[form dc 12 urban redevelopment authority](#) - Feb 26 2023

web for proposed a a works within strata units which involve an increase in gfa form dc 12 shall be used but processing fee would be charged according to new erection fees based on footprint of the proposed building should there be doubts applicants are advised to call the development control customer service hotline at  
[unit 12 bs xii rk singla pdf consumer protection goods](#) - Sep 04 2023

web aug 9 2019 unit 12 consumer protection xii topics covered consumer protection concept and importance scope of consumer protection act 2019 consumer protection act 2019 meaning of consumer who can file a complaint and against whom remedies available to the consumer consumer rights consumer responsibilities legal

**study in singapore with mdis private education institution in** - Mar 30 2023

web the management development institute of singapore mdis is a well established private education institution here in singapore that offers preparatory courses diplomas advanced diplomas higher diplomas globally recognised bachelor s and master s degree programmes across various disciplines including a doctorate degree

**unit 12 result oxford university press** - Jul 02 2023

web oct 31 2023 unit 12 ing and ed clauses 3rd conditional so because in order to

**bbc learning english course towards advanced unit 12** - Apr 30 2023

web tim explains this is a course for learners of english who are studying at a relatively high level it is designed to help you become an even better speaker and to help you move towards a near  
[anne frank the diary of a young girl black and white c](#) - Mar 30 2022

web anne frank s the diary of a young girl is an inspiring and tragic account of an ordinary life lived in extraordinary circumstances that has enthralled readers for generations this penguin classics edition is edited by otto h frank and mirjam pressler translated by susan massotty and includes an introduction by elie wiesel author of night june

**the diary of a young girl wikipedia** - Jun 13 2023

web the diary of a young girl often referred to as the diary of anne frank is a book of the writings from the dutch language diary kept by anne frank while she was in hiding for two years with her family during the nazi occupation of the netherlands  
[anne frank the diary of a young girl english](#) - Apr 11 2023

web anne frank the diary of a young girl english 12 95 add to cart this is the english edition of the diary other languages are available under diary anne frank keeps her diary from 12 june 1942 to 1 august 1944 in the over two years of her being in hiding she fills a number of notebooks

[the diary of a young girl by cherry gilchrist open library](#) - Aug 03 2022

web mar 16 2023 the diary of a young girl by cherry gilchrist and anne frank 2 00 3 ratings 72 want to read 5 currently reading 3 have read this edition doesn't have a description yet can you add one publish date 1999 publisher pearson education pearson education international language english pages 57 subjects

**the diary of a young girl the definitive edition** - Dec 07 2022

web mar 24 2021 discovered in the attic in which she spent the last years of her life anne frank's remarkable diary a powerful reminder of the horrors of war and an eloquent testament to the human spirit has since become a world classic beloved by

**woman arrested after death of girl two found in hampshire pond** - Dec 27 2021

web sep 11 2023 pa media mon 11 sep 2023 16 10 edt a woman has been arrested on suspicion of murder following the death of a two year old girl who was found unresponsive in a village pond police were called

*anne frank the diary of a young girl* archive org - Jul 14 2023

web jun 5 2016 anne frank the diary of a young girl topics anne frank the diary of a young girl collection opensource language english anne frank the diary of a young girl addeddate

**the diary of a young girl the definitive edition frank anne** - Sep 04 2022

web the diary of a young girl stands without peer for both young readers and adults it continues to bring to life this young woman who for a time survived the worst horror the modern world had seen and who remained triumphantly and heartbreakingly human throughout her ordeal

**the diary of a young girl fingerprint amazon in** - Apr 30 2022

web the diary of a young girl fingerprint anne frank amazon in books books history world buy new 119 00 m r p 199 00 save 80 00 40 inclusive of all taxes fulfilled free delivery sunday 10 september on orders dispatched by amazon over 499 details or fastest delivery tomorrow 9 september order within 1 hr 12 mins

the diary of a young girl penguin random house higher - Nov 06 2022

web the diary of a young girl the definitive edition author anne frank edited by otto m frank mirjam pressler translated by susan massotty add to wish list mass market paperback 7 99 us bantam dell bantam on sale feb 03 1997 400 pages 978 0 553 57712 9 see additional formats

**anne frank the diary of a young girl archive org** - Aug 15 2023

web a timely story rediscovered by each new generation the diary of a young girl stands without peer for both young readers and adults it continues to bring to life this young woman who for a time survived the worst horror of the modern world had seen and who remained triumphantly and heartbreakingly human throughout her ordeal

**the diary of a young girl the definitive edition amazon com** - Jun 01 2022



[tamoxifen molecular basis of use in cancer treatment and](#) - Jan 16 2023

web tamoxifen t is widely used in the treatment and prevention of breast cancer t is a nonsteroidal triphenylethylene that probably can adopt a structural conformation

**tamoxifen molecular basis of use in cancer treatment and** - Jul 22 2023

web oct 1 1996 jarman m tamoxifen molecular basis of use in cancer treatment and prevention br j cancer 74 1324 1996 doi org 10 1038 bjc 1996 539 download

**tamoxifen molecular basis of use in cancer treatment a** - Mar 18 2023

web currently there is considerable interest in the uses of tamoxifen not only to treat breast can tamoxifen molecular basis of use in cancer treatment and prevention by

*novel tamoxifen nanoformulations for improving breast cancer* - Sep 12 2022

web mar 5 2020 wiseman h tamoxifen molecular basis of use in cancer treatment and prevention gen pharmacol 1996 5 923 google scholar kilbourn b t mais r h b

*tamoxifen molecular basis of use in cancer treatment and* - Nov 02 2021

web oct 1 1996 tamoxifen molecular basis of use in cancer treatment and prevention by using the site you are agreeing to this as outlined in our privacy notice and cookie

[tamoxifen molecular basis of use in cancer treatment and](#) - Aug 11 2022

web abebooks com tamoxifen molecular basis of use in cancer treatment and prevention 9780471943167 by wiseman helen and a great selection of similar new used and

**tamoxifen molecular basis of use in cancer treatment and** - Jun 21 2023

web tamoxifen molecular basis of use in cancer treatment and prevention pmc journal list br j cancer v 74 8 1996 oct pmc2075916 as a library nlm provides access to

*tamoxifen molecular basis of use in cancer treatment and* - Dec 15 2022

web tamoxifen molecular basis of use in cancer treatment and prevention by helen wiseman write the first customer review shipping expedited shipping available

**tamoxifen molecular basis of use in cancer treatment and** - May 08 2022

web find many great new used options and get the best deals for tamoxifen molecular basis of use in cancer treatment and prevention by helen wiseman 1994

**tamoxifen molecular basis of use in cancer treatment and** - Jul 10 2022

web jan 15 1994 tamoxifen molecular basis of use in cancer treatment and prevention 9780471943167 medicine health science books amazon com

*tamoxifen molecular basis of use in cancer treatment and* - Jan 04 2022

web message as capably as perspicacity of this tamoxifen molecular basis of use in cancer treatment and prevention can be taken as well as picked to act preventive and

**tamoxifen molecular basis of use in cancer treatment and** - Jun 09 2022

web tamoxifen molecular basis of use in cancer treatment and prevention helen wiseman

**tamoxifen molecular basis of use in cancer treatment and** - Feb 05 2022

web currently there is considerable interest in the uses of tamoxifen not only to treat breast cancer but also to prevent it its potential as a major chemopreventative agent has

tamoxifen molecular basis of use in cancer treatment and - Dec 03 2021

web oct 1 1996 tamoxifen molecular basis of use in cancer treatment and prevention british journal of cancer 01 oct 1996 74 8 1324 1324

**tamoxifen molecular basis of use in cancer treatme robert** - Apr 19 2023

web between subgroups of patients improving our understanding of the molecular basis of breast tumor heterogeneity can potentially lead to improved diagnosis of breast cancer

*tamoxifen molecular basis of use in cancer treatme 2022* - Apr 07 2022

web primarily tamoxifen and raloxifene in cancer treatment and prevention as well as their effects on the reproductive vascular skeletal and central nervous systems

tamoxifen resistance in breast cancer pmc national - Feb 17 2023

web the most challenging issue with tamoxifen use is the development of resistance in an initially responsive breast tumor this review summarizes the roles of er as the

**tamoxifen molecular basis of use in cancer treatment and** - Aug 23 2023

web oct 1 1996 tamoxifen molecular basis of use in cancer treatment and prevention by using the site you are agreeing to this as outlined in our privacy notice and cookie policy abstract free full text full text links tamoxifen molecular basis of use in cancer

**tamoxifen molecular basis of use in cancer treatment and** - Oct 13 2022

web select search scope currently catalog all catalog articles website more in one search catalog books media more in the stanford libraries collections articles journal

*tamoxifen molecular basis of use in cancer treatment and* - Nov 14 2022

web scientific article published in october 1996 tamoxifen molecular basis of use in cancer treatment and prevention q50325500

*tamoxifen molecular basis of use in cancer treatme book* - Mar 06 2022

web tamoxifen molecular basis of use in cancer treatme book review unveiling the power of words in a global driven by information and connectivity the energy of words has be