

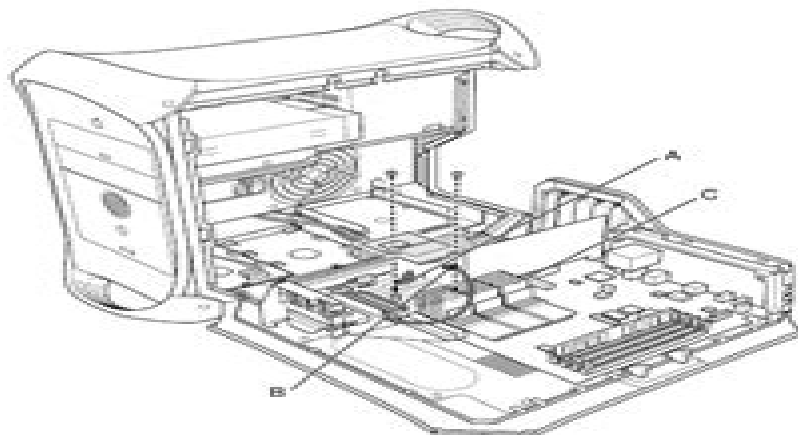
Removing the Installed Modem

1. Using a Phillips screwdriver, remove the modem's two mounting screws.
2. Gently pull back the small black latch that holds the modem in place. (This step does not apply to the Mirrored Drive Doors/FW 800 model.)
3. Lift the modem straight up a short distance to disconnect it from the modem connector (Figure 2A) on the logic board.

Warning: Use care when disconnecting or connecting the modem. Bent pins in the modem connector on the logic board could cause a short in the board.

Figure 2

Power Mac G4



Power Mac G4 (Mirrored Drive Doors/FW 800)



4. Disconnect the modem cable (Figure 2B) from the modem.
5. Remove the modem from the computer.

Installing the Replacement Modem

1. Reconnect the modem cable to the cable connector on the replacement modem.
2. Gently pull back the small black latch, slide the modem into place, and plug the modem into the logic board connector.
3. Replace the two modem screws and tighten to secure the modem to the logic board.
4. Tuck the modem cable down so it doesn't touch the large metal heatsink (Figure 2C).

Mac G4 User Manual

Kate Binder



Mac G4 User Manual:

TuneCrack - User's Manual (v1.01) F. Rudin, 2015-10-07 TuneCrack stands for Crack the tuning problem Learn to tune instruments precisely The importance of tuning is often underestimated However tuning is a necessary step for every performance TuneCrack has exercises to improve your listening skill and your pitch transfer skill Your listening skill is trained with the Precision Listening Method Your task is to solve ever more challenging questions until a precision to the cent Your transfer skill is trained with the Pitch Keeper Method First the program introduces you to your personal Absolute Pitch Point With appropriate exercises and feedback you learn how to take over a pitch and keep the sound in your mind for an ever lengthier time period Transferring a pitch and keeping it in your mind is an important step in understanding the musical center of a piece Since humans can only express pitch by singing the program listens to you and gives you feedback based on your singing a colored pitch line shows if you are too low too high or on target The program tracks your progress and lets you see the statistics in graphical form Thus your weak and strong points get visible Eliminate weak points by training Build upon and extend your strong points With your strong points start building an absolute pitch repertoire

Listening Ear Trainer - User's Manual F. Rudin, [Listening Ear Trainer - User's Manual \(v1.06\)](#) F. Rudin, To train your ear one must learn to distinguish sounds Acquiring Perfect Pitch requires in addition to remember pitches In early childhood we collect the vast part of our relevant sound memory by imitating the sounds with our vocal cords However our brain doesn't stop there At a later age we can still learn a new foreign language Three new methods to acquire Absolute Pitch and Relative Pitch supported by software feedback are presented in this book The first method the Singing Funnel method lets you acquire Absolute Pitch like a foreign language The second method the Octave Anchor Pitch method helps you to orientate yourself in the pitch realm The last method the Interval Overtone method improves your interval hearing

The Complete Idiot's Guide to Mac OS X Kate Binder, 2001 A guide to Mac computing essentials showcases the updated features of OS X covering installation integration applications networking and troubleshooting [Final Cut Pro 3 User's Manual: Getting started, input, and output](#), 2001 **Macintosh Switcher's Guide** Robert Standefer, 2004 Designed for Windows users ready to make the switch this book covers the beginnings of Apple and Macintosh how to turn Windows skills into Macintosh skills and other topics important to a new Mac user coming from the Windows world [Final Cut Pro 3 User's Manual](#), 2001 **A User's Guide to the Technical Training Schoolhouse Model** Thomas Manacapilli, Bart Bennett, 2006 In 2002 RAND Project AIR FORCE studied the data systems used by the Air Education and Training Command AETC to manage training costs and capacities The schoolhouse model developed to inform policy decisions regarding technical training pipeline issues grew out of this study The model examines resources used and training limitations encountered during the execution of a training program At the same time the AETC Studies and Analysis Squadron SAS built a similar set of planning and execution assessment tools RAND and AETC SAS agreed to combine the schoolhouse portion of

their efforts into one model The purpose of this report is to provide front end users of the schoolhouse model with a reference for collecting and implementing data it also briefly describes the simulation model and its uses The model is potentially useful for evaluating changes in production and resources highlighting resource bottlenecks providing insight into classroom details such as empty seats and the rate of individuals who prove ineffective in training and changes in production resulting from changes in resources course syllabi and washback and attrition rates

Special Edition Using Mac OS X, V10.3 Panther Brad Miser,2004 The Panther release of Mac OS X continues the development of the Macintosh operating system Mac OS X has become the dominant OS on the Macintosh platform and is currently the default OS on all new Macintosh computers Mac OS X is a complex and powerful operating system for which no documentation is provided by Apple outside of the Apple Help system which contains very limited information Special Edition Using Mac OS X Panther provides the in depth wide ranging coverage that enables Mac users to get the most out of the operating system and included tools This book explains how to get the most out of the core OS including the Finder desktop and system customization The book also shows readers how to use OS X s Internet applications for email Web surfing and mac for publishing content on the Net One of the book s major strengths is the extensive coverage of iTunes iPhoto iDVD and iMovie QuickTime and QuickTime Pro are also covered The book helps readers understand and configure the technologies to expand their systems

Mac OS X for Windows Users David Coursey,2003 Windows guru and CNET commentator Coursey draws on the experiences of real world switchers to frame his own straightforward instructions on how to use Mac OS X There s a lot involved in moving to a new operating system but readers will find everything they need to get up to speed quickly as well as understand the subtle and not so subtle differences between the systems

Mac OS X Unwired Tom Negrino,Dori Smith,2013-05-02 Mac OS X Unwired introduces you to the basics of wireless computing from the reasons why you d want to go wireless in the first place to setting up your wireless network or accessing your wireless services on the road The book provides a complete introduction to all the wireless technologies supported by Mac OS X including Wi Fi 802 11b and g infrared Bluetooth CDMA2000 and GPRS You ll learn how to set up your first wireless network and how use the Mac OS X software that supports wireless such as iSync iChat and Rendezvous You ll also get a good understanding of the limitations and liabilities of each wireless technology Other topics covered in the book include Using wireless at home in the office or on the road Connecting to wireless hotspots Wireless Security Mac OS X Unwired is a one stop wireless information source for technically savvy Mac users If you re considering wireless as an alternative to cable and DSL or using wireless to network computers in your home or office this book will show you the full spectrum view of wireless capabilities of Mac OS X and how to get the most out of them

PC Mag ,2001-05-22 PCMag com is a leading authority on technology delivering Labs based independent reviews of the latest products and services Our expert industry analysis and practical solutions help you make better buying decisions and get more from technology

The Complete Idiot's Guide to iMovie 2 Brad Miser,2001 A

guide to digital movie making covers camera selection storyboarding shooting techniques transitions converting to Quicktime files adding text and exporting images to videotape **Home Networking Bible** Sue Plumley,2004-07-30 Everything you need to know to set up a home network Is a home network for you This comprehensive guide coverseverything from deciding what type of network meets your needs tosetting up the hardware and software connecting differentoperating systems installing the necessary applications managingthe network and even adding home entertainment devices Fullyupdated with new material on all the latest systems and methods it s just what you need to set up your network and keep it runningsafely and successfully Inside you ll find complete coverage of home networking Compare the advantages and disadvantages of wired and wirelesnetworks Understand how to choose between workgroup and client servernetworking Learn how to install and set up cables and routers and how toinstall and configure networking software Share files printers and a single Internet connection Back up files and secure your network Set up your own home intranet and understand the technologiesinvolved in creating a Web page Manage your network and learn to use tools for locating andreparing problems Expand your home network to include your digital camera scanner TV sound system and even game consoles Explore SmartHome technology that allows you to automate varioushousehold functions Investigate how your network can enable tele commuting and otherremote access capabilities **Guerilla Guide to Performance Art** Leslie Hill,2004-06-01 The Guerilla Performance and Multimedia Handbook is the ultimate guide for artists at all stages of their careers engaged in creating original performance and multimedia work including hybrids of theatre visual art installation physical theatre dance CD Rom and web design It covers all aspects of artist support including starting up a company funding multimedia tools and documentation and marketing and incorporates a useful Yellow Pages section with contact information for production funding venues galleries publications festivals printers equipment hire technical support artists organizations performance archives copyright offices and software support The book is lavishly illustrated and interviews from major artists and directors of some of the leading artist support groups in the UK and US along with illuminating case studies address practical questions and offer indispensable insights into how to succeed in the performance arts **The Laboratory Computer** John Dempster,2001-07-10 The Laboratory Computer A Practical Guide for Physiologists and Neuroscientists introduces the reader to both the basic principles and the actual practice of recording physiological signals using the computer It describes the basic operation of the computer the types of transducers used to measure physical quantities such as temperature and pressure how these signals are amplified and converted into digital form and the mathematical analysis techniques that can then be applied It is aimed at the physiologist or neuroscientist using modern computer data acquisition systems in the laboratory providing both an understanding of how such systems work and a guide to their purchase and implementation The key facts and concepts that are vital for the effective use of computer data acquisition systems A unique overview of the commonly available laboratory hardware and software including both commercial and free software A practical guide to

designing one's own or choosing commercial data acquisition hardware and software **Cubase SX: The Official Guide**
Michael Prochak, 2010-04-06 The latest SX release of Steinberg's Cubase program provides users with an incredibly powerful
and versatile software sequencer equipped with sample accurate mix automation VST and ASIO capabilities **Mac OS X**
10.2 Advanced Maria Langer, 2003 With more than 150 new features and applications Mac OS X 10.2 is more than a minor
upgrade This guide is the fastest way to ramp up on the software's myriad new features Veteran Macintosh columnist and
author Langer goes beyond the basics to show users how to get the most out of Mac OS X 10.2 *Computer Sound Design*
Eduardo Miranda, 2012-10-12 This comprehensive introduction to software synthesis techniques and programming is
intended for students researchers musicians sound artists and enthusiasts in the field of music technology The art of sound
synthesis is as important for the electronic musician as the art of orchestration is important for symphonic music composers
Those who wish to create their own virtual orchestra of electronic instruments and produce original sounds will find this
book invaluable It examines a variety of synthesis techniques and illustrates how to turn a personal computer into a powerful
and flexible sound synthesiser The book also discusses a number of ongoing developments that may play an important role in
the future of electronic music making Previously published as *Computer Sound Synthesis for the Electronic Musician* this
second edition features a foreword by Jean Claude Risset and provides new information on the latest directions in digital
sound representation advances in physical modelling techniques granular and pulsar synthesis PSOLA technique humanoid
voice synthesis artificial intelligence evolutionary computing The accompanying CD ROM contains examples complementary
tutorials and a number of synthesis systems for PC and Macintosh platforms ranging from low level synthesis programming
languages to graphic front ends for instrument and sound design These include fully working packages demonstration
versions of commercial software and experimental programs from top research centres in Europe North and South America
Apple Pro Training Series Diana Weynand, 2006-06-12 The only Apple authorized guide to Final Cut Express HD 3.5 this
book delivers the techniques you need to make movie magic with DV or HDV footage Each chapter presents a complete
lesson in an aspect of video editing and finishing with hands on projects to complete as you go All the files you need are on
the included DVD ROM You'll learn how to make effective edits and adjust them precisely create polished transitions and
sophisticated composites add audio tracks titles and speed and motion effects then color correct and finish your video for
export to DVD or the Web Whether you're a student a devoted amateur who's serious about digital video or a professional
who needs a comprehensive editing program for your home computer you'll find everything you need to learn Final Cut
Express HD 3.5 within the pages of this book DVD ROM includes lesson and media files for over 20 hours of training

Fuel your quest for knowledge with Authored by is thought-provoking masterpiece, Dive into the World of **Mac G4 User Manual** . This educational ebook, conveniently sized in PDF (Download in PDF: *), is a gateway to personal growth and intellectual stimulation. Immerse yourself in the enriching content curated to cater to every eager mind. Download now and embark on a learning journey that promises to expand your horizons. .

https://staging.conocer.cide.edu/files/scholarship/default.aspx/hp_color_laserjet_2500_printer_service_manual.pdf

Table of Contents Mac G4 User Manual

1. Understanding the eBook Mac G4 User Manual
 - The Rise of Digital Reading Mac G4 User Manual
 - Advantages of eBooks Over Traditional Books
2. Identifying Mac G4 User Manual
 - Exploring Different Genres
 - Considering Fiction vs. Non-Fiction
 - Determining Your Reading Goals
3. Choosing the Right eBook Platform
 - Popular eBook Platforms
 - Features to Look for in an Mac G4 User Manual
 - User-Friendly Interface
4. Exploring eBook Recommendations from Mac G4 User Manual
 - Personalized Recommendations
 - Mac G4 User Manual User Reviews and Ratings
 - Mac G4 User Manual and Bestseller Lists
5. Accessing Mac G4 User Manual Free and Paid eBooks
 - Mac G4 User Manual Public Domain eBooks
 - Mac G4 User Manual eBook Subscription Services
 - Mac G4 User Manual Budget-Friendly Options

6. Navigating Mac G4 User Manual eBook Formats
 - ePub, PDF, MOBI, and More
 - Mac G4 User Manual Compatibility with Devices
 - Mac G4 User Manual Enhanced eBook Features
7. Enhancing Your Reading Experience
 - Adjustable Fonts and Text Sizes of Mac G4 User Manual
 - Highlighting and Note-Taking Mac G4 User Manual
 - Interactive Elements Mac G4 User Manual
8. Staying Engaged with Mac G4 User Manual
 - Joining Online Reading Communities
 - Participating in Virtual Book Clubs
 - Following Authors and Publishers Mac G4 User Manual
9. Balancing eBooks and Physical Books Mac G4 User Manual
 - Benefits of a Digital Library
 - Creating a Diverse Reading Collection Mac G4 User Manual
10. Overcoming Reading Challenges
 - Dealing with Digital Eye Strain
 - Minimizing Distractions
 - Managing Screen Time
11. Cultivating a Reading Routine Mac G4 User Manual
 - Setting Reading Goals Mac G4 User Manual
 - Carving Out Dedicated Reading Time
12. Sourcing Reliable Information of Mac G4 User Manual
 - Fact-Checking eBook Content of Mac G4 User Manual
 - Distinguishing Credible Sources
13. Promoting Lifelong Learning
 - Utilizing eBooks for Skill Development
 - Exploring Educational eBooks
14. Embracing eBook Trends
 - Integration of Multimedia Elements

- Interactive and Gamified eBooks

Mac G4 User Manual Introduction

In today's digital age, the availability of Mac G4 User Manual books and manuals for download has revolutionized the way we access information. Gone are the days of physically flipping through pages and carrying heavy textbooks or manuals. With just a few clicks, we can now access a wealth of knowledge from the comfort of our own homes or on the go. This article will explore the advantages of Mac G4 User Manual books and manuals for download, along with some popular platforms that offer these resources. One of the significant advantages of Mac G4 User Manual books and manuals for download is the cost-saving aspect. Traditional books and manuals can be costly, especially if you need to purchase several of them for educational or professional purposes. By accessing Mac G4 User Manual versions, you eliminate the need to spend money on physical copies. This not only saves you money but also reduces the environmental impact associated with book production and transportation. Furthermore, Mac G4 User Manual books and manuals for download are incredibly convenient. With just a computer or smartphone and an internet connection, you can access a vast library of resources on any subject imaginable. Whether you're a student looking for textbooks, a professional seeking industry-specific manuals, or someone interested in self-improvement, these digital resources provide an efficient and accessible means of acquiring knowledge. Moreover, PDF books and manuals offer a range of benefits compared to other digital formats. PDF files are designed to retain their formatting regardless of the device used to open them. This ensures that the content appears exactly as intended by the author, with no loss of formatting or missing graphics. Additionally, PDF files can be easily annotated, bookmarked, and searched for specific terms, making them highly practical for studying or referencing. When it comes to accessing Mac G4 User Manual books and manuals, several platforms offer an extensive collection of resources. One such platform is Project Gutenberg, a nonprofit organization that provides over 60,000 free eBooks. These books are primarily in the public domain, meaning they can be freely distributed and downloaded. Project Gutenberg offers a wide range of classic literature, making it an excellent resource for literature enthusiasts. Another popular platform for Mac G4 User Manual books and manuals is Open Library. Open Library is an initiative of the Internet Archive, a non-profit organization dedicated to digitizing cultural artifacts and making them accessible to the public. Open Library hosts millions of books, including both public domain works and contemporary titles. It also allows users to borrow digital copies of certain books for a limited period, similar to a library lending system. Additionally, many universities and educational institutions have their own digital libraries that provide free access to PDF books and manuals. These libraries often offer academic texts, research papers, and technical manuals, making them invaluable resources for students and researchers. Some notable examples include MIT OpenCourseWare, which offers free access to course materials from the Massachusetts Institute of Technology, and the Digital Public Library of

America, which provides a vast collection of digitized books and historical documents. In conclusion, Mac G4 User Manual books and manuals for download have transformed the way we access information. They provide a cost-effective and convenient means of acquiring knowledge, offering the ability to access a vast library of resources at our fingertips. With platforms like Project Gutenberg, Open Library, and various digital libraries offered by educational institutions, we have access to an ever-expanding collection of books and manuals. Whether for educational, professional, or personal purposes, these digital resources serve as valuable tools for continuous learning and self-improvement. So why not take advantage of the vast world of Mac G4 User Manual books and manuals for download and embark on your journey of knowledge?

FAQs About Mac G4 User Manual Books

How do I know which eBook platform is the best for me? Finding the best eBook platform depends on your reading preferences and device compatibility. Research different platforms, read user reviews, and explore their features before making a choice. Are free eBooks of good quality? Yes, many reputable platforms offer high-quality free eBooks, including classics and public domain works. However, make sure to verify the source to ensure the eBook credibility. Can I read eBooks without an eReader? Absolutely! Most eBook platforms offer webbased readers or mobile apps that allow you to read eBooks on your computer, tablet, or smartphone. How do I avoid digital eye strain while reading eBooks? To prevent digital eye strain, take regular breaks, adjust the font size and background color, and ensure proper lighting while reading eBooks. What the advantage of interactive eBooks? Interactive eBooks incorporate multimedia elements, quizzes, and activities, enhancing the reader engagement and providing a more immersive learning experience. Mac G4 User Manual is one of the best book in our library for free trial. We provide copy of Mac G4 User Manual in digital format, so the resources that you find are reliable. There are also many Ebooks of related with Mac G4 User Manual. Where to download Mac G4 User Manual online for free? Are you looking for Mac G4 User Manual PDF? This is definitely going to save you time and cash in something you should think about. If you trying to find then search around for online. Without a doubt there are numerous these available and many of them have the freedom. However without doubt you receive whatever you purchase. An alternate way to get ideas is always to check another Mac G4 User Manual. This method for see exactly what may be included and adopt these ideas to your book. This site will almost certainly help you save time and effort, money and stress. If you are looking for free books then you really should consider finding to assist you try this. Several of Mac G4 User Manual are for sale to free while some are payable. If you arent sure if the books you would like to download works with for usage along with your computer, it is possible to download free trials. The free guides make it easy for someone to free access online library for download books to your device. You can get free download on free trial for lots of books categories. Our library is the

biggest of these that have literally hundreds of thousands of different products categories represented. You will also see that there are specific sites catered to different product types or categories, brands or niches related with Mac G4 User Manual. So depending on what exactly you are searching, you will be able to choose e books to suit your own need. Need to access completely for Campbell Biology Seventh Edition book? Access Ebook without any digging. And by having access to our ebook online or by storing it on your computer, you have convenient answers with Mac G4 User Manual To get started finding Mac G4 User Manual, you are right to find our website which has a comprehensive collection of books online. Our library is the biggest of these that have literally hundreds of thousands of different products represented. You will also see that there are specific sites catered to different categories or niches related with Mac G4 User Manual So depending on what exactly you are searching, you will be able to choose ebook to suit your own need. Thank you for reading Mac G4 User Manual. Maybe you have knowledge that, people have search numerous times for their favorite readings like this Mac G4 User Manual, but end up in harmful downloads. Rather than reading a good book with a cup of coffee in the afternoon, instead they juggled with some harmful bugs inside their laptop. Mac G4 User Manual is available in our book collection an online access to it is set as public so you can download it instantly. Our digital library spans in multiple locations, allowing you to get the most less latency time to download any of our books like this one. Merely said, Mac G4 User Manual is universally compatible with any devices to read.

Find Mac G4 User Manual :

hp color laserjet 2500 printer service manual

~~hp 53150a 151a 152a program guide user guide~~

hp compaq nc6220 notebook pc manual

hp color laserjet 3600n user manual

hp designjet t1100 t610 t1120 printer series service manual

hp deskjet 3520 user guide

hp device manager manual

hp df780 digital photo frames owners manual

hp a309 desktops owners manual

~~hp dv2 1116 laptops owners manual~~

hp 3562a user guide

hp dl58g user guide

~~hp designjet z6100 instruction manual~~

[hp 8750gp printers accessory owners manual](#)

[hp dv1731 laptops owners manual](#)

Mac G4 User Manual :

latin grilling recipes to share from patagonian asado to - Aug 02 2023

web lourdes captures the essence of latin america in each meticulously formulated recipe and to ensure you feel comfortable at the grill she shares tips and notes on ingredients flavor variations techniques and entertaining ideas throughout

latin grilling recipes to share from patagonian asado to yucatecan - Oct 04 2023

web apr 26 2011 latin grilling recipes to share from patagonian asado to yucatecan barbecue and more a cookbook castro lourdes on amazon com free shipping on qualifying offers latin grilling recipes to share from patagonian asado to yucatecan barbecue and more a cookbook

17 latin grilling recipes for a super delicious summer - Dec 26 2022

web jul 14 2018 when the weather gets warm you ll want to head outside and fire up the grill which is where these 17 amazing latin recipes come in from turkey avocado burgers for celebrating national burger day to colombian hot dogs and grilled jicama with chimichurri salsa these latin grilling recipes are sure to delight

latin grilling recipes to share from patagonian asado to - Oct 24 2022

web latin grilling recipes to share from patagonian asado to yucatecan barbecue and more lourdes castro

[latin grilling recipes to share from patagonian asado to yucatecan](#) - Feb 13 2022

web apr 26 2011 latin grilling recipes to share from patagonian asado to yucatecan barbecue and more a cookbook kindle edition by castro lourdes download it once and read it on your kindle device pc phones or tablets

[latin grilling recipes to share from patagonian asado to](#) - Nov 24 2022

web latin grilling recipes to share from patagonian asado to yucatecan barbecue and more a cookbook ebook castro lourdes amazon com au kindle store

[latin grilling recipes to share from patagonian asado to](#) - May 31 2023

web apr 26 2011 from the steamy jungles of the yucatán to the verdant valleys along the andes latin grilling goes beyond typical barbecue fare and familiar mexican and tex mex standards to present more than 90

[latin grilling recipes to share from patagonian asado to](#) - Jan 27 2023

web abebooks com latin grilling recipes to share from patagonian asado to yucatecan barbecue and more a cookbook 9781607740049 by castro lourdes and a great selection of similar new used and collectible books available now at great prices

learn how to grill mexican style the spruce eats - Apr 17 2022

web jan 13 2020 banana leaves are used as a cooking surface the oils and anise flavor permeate foods while they cook to give a wonderful flavor if you want to try it get a couple of banana leaves wash them and place them directly on your cooking grate still wet put whatever you are cooking directly on the leaves immediately

latin grilling recipes to share from patagonian asado - Jul 01 2023

web jan 1 2011 3 96 24 ratings0 reviews from the steamy jungles of the yucatán to the verdant valleys along the andes latin grilling goes beyond typical barbecue fare and familiar mexican and tex mex standards to present more than 90 recipes that showcase the diversity of latin american cooking

amazon com customer reviews latin grilling recipes to share - Jul 21 2022

web find helpful customer reviews and review ratings for latin grilling recipes to share from patagonian asado to yucatecan barbecue and more a cookbook at amazon com read honest and unbiased product reviews from our users

latin grilling recipes to share from patagonian asado to - Apr 29 2023

web apr 26 2011 latin grilling recipes to share from patagonian asado to yucatecan barbecue and more a cookbook castro lourdes 9781607740049 books amazon ca

latin grilling recipes to share from patagonian asado to - Sep 22 2022

web browse and save recipes from latin grilling recipes to share from patagonian asado to yucatecan barbecue and more to your own online collection at eatyourbooks com

20 latin style dishes for your next bbq sheknows - May 19 2022

web jun 24 2014 fire up the grill and enjoy some of these latin inspired recipes that are sure to have you drooling the ingredients the combination of spices the heat they all make for a great cookout 1

latin grilling recipes to share from patagonian asado to alibris - Mar 29 2023

web latin grilling recipes to share from patagonian asado to yucatecan barbecue and more by lourdes castro alibris buy latin grilling recipes to share from patagonian asado to yucatecan barbecue and more by lourdes castro online at alibris we have new and used copies available in 1 editions starting at 7 50 shop now skip to main

latin grilling recipes to share from patagonian asado to - Jun 19 2022

web latin grilling recipes to share from patagonian asado to yucatecan barbecue and more a cookbook

best mexican grilling recipes - Mar 17 2022

web oct 19 2020 a 3 citrus marinade gets kicked up with minced garlic annatto brown chipotle cumin cayenne oregano black pepper and salt it has vibrant citrus and chile flavors and a beautiful orange hue from ground annatto says

the 40 best latin style bbq recipes the whole family will love - Feb 25 2023

web jul 7 2020 that s why we ve pulled together this 40 delicious latin inspired recipes to be made on the grill so you can wow everyone at your next gathering we think they re the best latin barbecue recipes that you should consider

latin grilling recipes to share from patagonian asado to - Sep 03 2023

web firing up 90 recipes arranged into ten grilling fiestas that feature authentic latin american flavors all tailored for the home cook or backyard griller provided by publisher isbn 978 1 60774 004 9 pbk

latin grilling recipes to share from patagonian asado to - Aug 22 2022

web read download pdf latin grilling recipes to share from patagonian asado to yucatecan barbecue and more free update the latest version with high quality try now

economics pearsoncanada ca - Oct 25 2022

web editions for macroeconomics with myeconlab access code 0133452441 unbound published in 2013 richard lipsey christopher ragan richard g lipsey isbn

macroeconomics 14th 14e christopher ragan pdf ebook - Nov 25 2022

web new to the 14th canadian edition the success of ragan economics is built on the dedication to keeping this hallmark resource on the cutting edge and in tune with learning

macroeconomics ragan christopher t s author - Sep 04 2023

web feb 22 2013 macroeconomics fourteenth canadian edition 14th edition ragan christopher t s on amazon com free shipping on qualifying offers

macroeconomics fourteenth canadian edition christopher - Jun 01 2023

web economics canadian edition 14e ragan chapter 2 economic theories data and graphs disagreements over positive statements a cannot arise because positive

books by christopher t s ragan author of macroeconomics - Jul 02 2023

web macroeconomics fourteenth canadian edition christopher t s ragan pearson education oct 3 2013 business economics 560 pages 0 reviews reviews aren t

macroeconomics fourteenth canadian edition 14th edition - Apr 30 2023

web aug 14 2020 study guide for macroeconomics fourteenth canadian edition by christopher t s ragan and richard g lipsey first published in 2013 1 edition in 1

macroeconomics ragan christopher 9780134835822 books - Jul 22 2022

web econ 209 reading notes macroeconomics chapter 34 chapter 34 exchange rates and the balance of paym ents the balance of payments statistics canada

ragan economics 14th edition esource svb com - Dec 15 2021

web ragan macroeconomics 14th edition whispering the techniques of language an emotional quest through ragan macroeconomics 14th edition in a digitally driven

macroeconomics canadian edition pearson - Jan 28 2023

web economics fourteenth canadian edition 14th edition paperback feb 28 2013 by christopher t s ragan author 5 0 5 0 out of 5 stars 2 ratings see all formats and

ragan macroeconomics 14th edition deju lms currikistudio org - Mar 18 2022

web microeconomics 14th canadian edition by ragan test bank add your review digital item no waiting time instant download isbn 10 0321794877 isbn 13 978

macroeconomics fourteenth canadian edition 14th edition - Aug 03 2023

web macroeconomics fourteenth canadian edition plus myeconlab with pearson etext access card package 14th edition by christopher t s ragan february 22 2013 by

editions of macroeconomics with myeconlab access code by - Sep 23 2022

web ragan economics provides students with an introduction to the major issues facing the world s economies to the methods that economists use to study those issues and to the

christopher t s ragan open library - Mar 30 2023

web midterm 14 september 2019 answers midterm february 2017 questions and answers canada in the global environment 10th edition ch01 final multiple choice quizzes i 1

paperback feb 28 2013 amazon ca low prices - Dec 27 2022

web macroeconomics 14th 14e christopher ragan digital etextbook features digital pdf only no access card code never expire highlight take notes and search content

ragan 14th edition chapter 34 notes studocu - Jun 20 2022

web christopher ragan macroeconomics 14th canadian edition christopher ragan macroeconomics 14th canadian edition 2 downloaded from preview neurosynth org

macroeconomics fourteenth canadian edition christopher t s - Feb 26 2023

web jun 30 2022 christopher t s ragan mcgill university etextbook c 64 99 mylab c 99 99 12 month isbn 13 9780137324019 macroeconomics canadian edition

christopher ragan macroeconomics 14th canadian edition - May 20 2022

web sep 25 2016 ragan macroeconomics 14th edition pdf pdf 2016 09 25 ragan macroeconomics 14th edition pdf pdf pdf pdf

microeconomics fourteenth canadian edition 14th edition - Aug 23 2022

web 0134835832 9780134835839 macroeconomics sixteenth canadian edition 16 e 0135233453 9780135233450 mylab economics with pearson etext standalone

[macroeconomics fourteenth canadian edition 14th](#) - Oct 05 2023

web macroeconomics fourteenth canadian edition 14th edition paperback feb 22 2013 by christopher t s ragan author 4 5 16 ratings see all formats and editions

ragan macroeconomics 14th edition im lms currikistudio org - Nov 13 2021

[ragan macroeconomics 14th edition pdf](#) - Apr 18 2022

web ragan macroeconomics 14th edition ragan macroeconomics 14th edition 3 downloaded from deju lms currikistudio org on 2022 03 24 by guest leading figures in

ragan christopher macroeconomics 15th edition pdf - Jan 16 2022

web 2 ragan economics 14th edition 2022 11 02 company the 13 volumes in this set originally published between 1920 and 1991 draw together research by leading

microeconomics 14th canadian edition by ragan test bank - Feb 14 2022

web feb 24 2023 download ragan macroeconomics 14th edition ragan macroeconomics 14th edition pdf i would love to save 0 and find a pdf of the 15th

chapter 16f biol 1406 hcc studocu - Feb 06 2023

web chapter 16f biol 1406 hcc studocu silver creek high school colorado university of massachusetts lowell southern new hampshire university university of california los

[hcc bio 1406 exercise 11 free pdf](#) - Jan 25 2022

web hcc bio 1406 exercise 11 free pdf author isco iss faperta unpad ac id subject hcc bio 1406 exercise 11 keywords hcc bio 1406 exercise 11 pdf free download book

hcc bio 1406 exercise 11 pdf mail thekingiscoming - Jun 29 2022

web 2 hcc bio 1406 exercise 11 2022 10 10 leukocyte culture conferences have a long pedigree this volume records some of the scientific highlights of the 16th such annual

hcc bio 1406 exercise 11 elections nwherald - Dec 24 2021

web the hcc bio 1406 exercise 11 link that we have the funds for here and check out the link you could buy lead hcc bio 1406 exercise 11 or acquire it as soon as feasible you

[biol 1406 hcc introduction to biology studocu](#) - Nov 03 2022

web studying biol 1406 introduction to biology at houston community college on studocu you will find 57 lecture notes 30

assignments 17 practice materials and much

[general biology i biol 1406 hcc learning web](#) - Jun 10 2023

web biol 1406 is a 4 credit hour majors biology lecture lab course you will use hcc eagle online to access this course eo2 hccs edu the course is offered completely

hcc bio 1406 exercise 11 help environment harvard edu - Jan 05 2023

web of childhood acute lymphoblastic leukemia from basic biology to supportive care it offers new insights into the genetic pre disposition to the condition and discusses how

[biology 1406 lecture notes hcc learning web](#) - Sep 13 2023

web chapter 1 themes chapter 2 chemistry chapter 3 water chapter 4 carbon molecular diversity chapter 5 large biological molecules chapter 6 the cell

[biology for science majors biol 1306 lecture 1106 laboratory](#) - Dec 04 2022

web biology for science majors biol 1306 lecture 1106 laboratory this course is an integration of a lecture and a laboratory with a corresponding textbook and manual

biol 1406 general biology i hcc learning web - Aug 12 2023

web apr 10 2017 lab finish working on lab exercise 11 14 using your lab manual and elabs pearson mastering assignment ch 10 12 15 to be completed before 11 55 pm

hcc bio 1406 exercise 11 pdf download only tax clone ortax - May 29 2022

web hcc bio 1406 exercise 11 pdf pages 2 29 hcc bio 1406 exercise 11 pdf upload betty l paterson 2 29 downloaded from tax clone ortax org on september 7 2023 by betty l

general biology i biol 1406 fall 2017 hcc learning web - Mar 07 2023

web course description program student learning outcomes pslos for the biology discipline will display an understanding of biological systems and evolutionary

[1406 hcc biology studocu](#) - Apr 08 2023

web studying 1406 biology at houston community college on studocu you will find 27 lecture notes assignments practice materials coursework tutorial work essays and

hcc bio 1406 exercise 11 2023 portal nivbook co - Nov 22 2021

web 2 hcc bio 1406 exercise 11 2023 04 22 paloma murray biotechnology and production of anti cancer compounds springer science business media this book presents a

[biology 1406 practice exams hcc learning web](#) - May 09 2023

web biology 1406 practice exams practice exam 1 practice exam 2 practice exam 3 practice genetic lab exam

sehh 1106 1106 polyu hkcc course hero - Jul 31 2022

web sehh1106 group presentation student 2021s1 pdf sehh1106 foundation biology a group presentation 22 of continuous assessment intended learning outcomes on

biology 1406 hcc course hero - Oct 02 2022

web access study documents get answers to your study questions and connect with real tutors for biology 1406 at houston community college upload to study expert help

hcc bio 1406 exercise 11 pdf full pdf snapshot segmetrics - Apr 27 2022

web webhcc bio 1406 exercise 11 free pdf books download and read online pdf file book hcc bio 1406 exercise 11 only if you are registered here download and read online hcc bio

biol 1406 general biology i hcc learning web - Jul 11 2023

web this is completely online biol 1406 course you do not need to purchase lab materials to perform experiments at home or come to the campus to attend the labs instead you will

hcc bio 1406 exercise 11 2022 admin store motogp - Mar 27 2022

web hcc bio 1406 exercise 11 therapeutic nuclear medicine hyperbaric oxygen therapy indications developing a protocol for observational comparative effectiveness

biology lab biology lab 1106 hcc learning web - Sep 01 2022

web welcome to course overview course description biology for science majors i lecture biol1306 is independently paired with biology for science majors i laboratory

hcc learning web - Feb 23 2022

web ðĬ à á þÿ ¼ þÿÿÿ°

bio 1406 readings and resources hcc learning web - Oct 14 2023

web the tips included in the study skills library at california polytechnic state university will give you lots of great information concerning these subjects which may help you improve