

Figure 3-5. Remove Rocker Box Bolts

NOTE

All washers and fasteners used in the V⁶ engine are hardened, so they must not be mixed or replaced with unhardened parts.

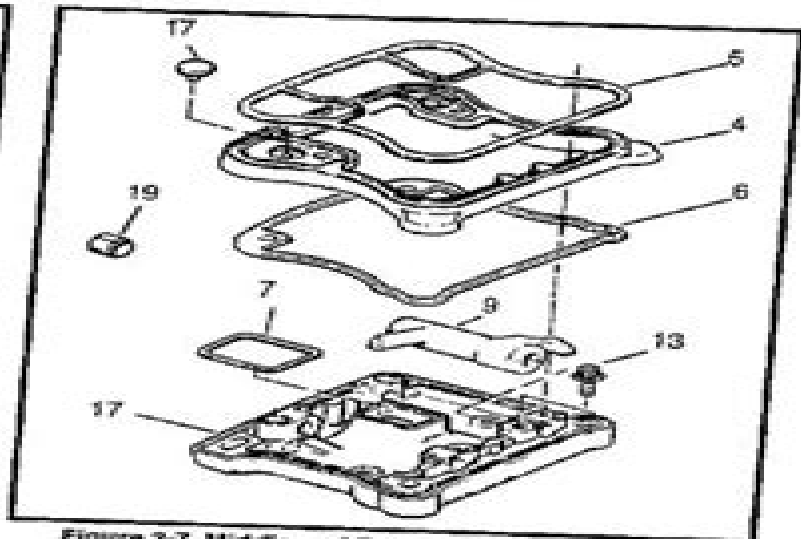


Figure 3-7. Middle and Bottom Rocker Arm Cover

4. Remove the rocker arm retaining bolts (11) and washers (12) nearest the rocker arm shafts at the push rod end.

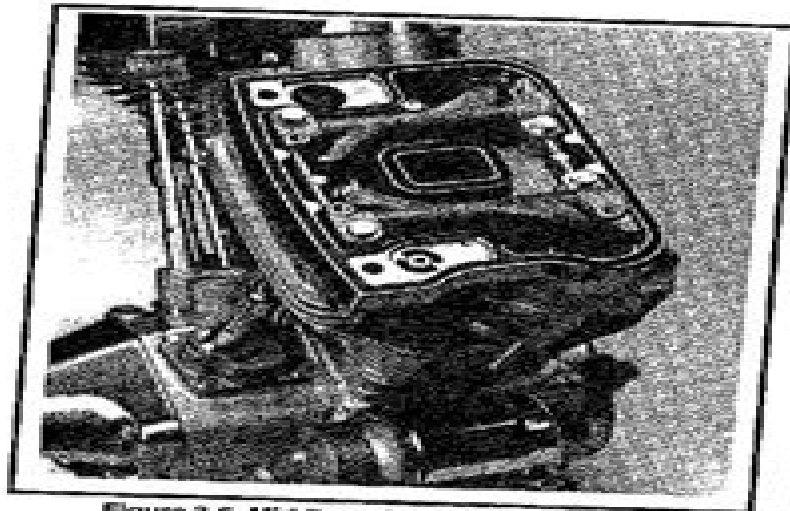


Figure 3-6. Middle and Bottom Rocker Box

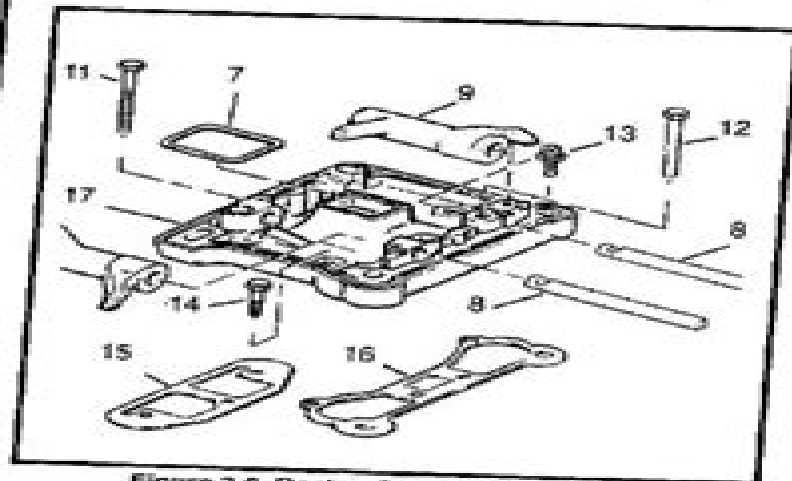


Figure 3-8. Rocker Arm Retaining Bolts

NOTE

Remove lower rocker boxes as an assembly then disassemble if necessary.

2. See Figure 3-3. Remove top (3) and middle (4) sections of rocker box. Remove gaskets (5, 6 and 7) and discard.

3. Rotate the engine so both valves are closed on the head being replaced.

Flstf Fat Boy Service Manual 94

H Kauffman



Flstf Fat Boy Service Manual 94:

Unveiling the Magic of Words: A Review of "**Flstf Fat Boy Service Manual 94**"

In a global defined by information and interconnectivity, the enchanting power of words has acquired unparalleled significance. Their power to kindle emotions, provoke contemplation, and ignite transformative change is really awe-inspiring. Enter the realm of "**Flstf Fat Boy Service Manual 94**," a mesmerizing literary masterpiece penned by way of a distinguished author, guiding readers on a profound journey to unravel the secrets and potential hidden within every word. In this critique, we shall delve in to the book is central themes, examine its distinctive writing style, and assess its profound effect on the souls of its readers.

https://staging.conocer.cide.edu/files/Resources/index.jsp/Inclusion_Strategies_For_Students_Wlearning_Etc_2nd.pdf

Table of Contents Flstf Fat Boy Service Manual 94

1. Understanding the eBook Flstf Fat Boy Service Manual 94
 - The Rise of Digital Reading Flstf Fat Boy Service Manual 94
 - Advantages of eBooks Over Traditional Books
2. Identifying Flstf Fat Boy Service Manual 94
 - Exploring Different Genres
 - Considering Fiction vs. Non-Fiction
 - Determining Your Reading Goals
3. Choosing the Right eBook Platform
 - Popular eBook Platforms
 - Features to Look for in an Flstf Fat Boy Service Manual 94
 - User-Friendly Interface
4. Exploring eBook Recommendations from Flstf Fat Boy Service Manual 94
 - Personalized Recommendations
 - Flstf Fat Boy Service Manual 94 User Reviews and Ratings
 - Flstf Fat Boy Service Manual 94 and Bestseller Lists

5. Accessing Flstf Fat Boy Service Manual 94 Free and Paid eBooks
 - Flstf Fat Boy Service Manual 94 Public Domain eBooks
 - Flstf Fat Boy Service Manual 94 eBook Subscription Services
 - Flstf Fat Boy Service Manual 94 Budget-Friendly Options
6. Navigating Flstf Fat Boy Service Manual 94 eBook Formats
 - ePub, PDF, MOBI, and More
 - Flstf Fat Boy Service Manual 94 Compatibility with Devices
 - Flstf Fat Boy Service Manual 94 Enhanced eBook Features
7. Enhancing Your Reading Experience
 - Adjustable Fonts and Text Sizes of Flstf Fat Boy Service Manual 94
 - Highlighting and Note-Taking Flstf Fat Boy Service Manual 94
 - Interactive Elements Flstf Fat Boy Service Manual 94
8. Staying Engaged with Flstf Fat Boy Service Manual 94
 - Joining Online Reading Communities
 - Participating in Virtual Book Clubs
 - Following Authors and Publishers Flstf Fat Boy Service Manual 94
9. Balancing eBooks and Physical Books Flstf Fat Boy Service Manual 94
 - Benefits of a Digital Library
 - Creating a Diverse Reading Collection Flstf Fat Boy Service Manual 94
10. Overcoming Reading Challenges
 - Dealing with Digital Eye Strain
 - Minimizing Distractions
 - Managing Screen Time
11. Cultivating a Reading Routine Flstf Fat Boy Service Manual 94
 - Setting Reading Goals Flstf Fat Boy Service Manual 94
 - Carving Out Dedicated Reading Time
12. Sourcing Reliable Information of Flstf Fat Boy Service Manual 94
 - Fact-Checking eBook Content of Flstf Fat Boy Service Manual 94
 - Distinguishing Credible Sources
13. Promoting Lifelong Learning

- Utilizing eBooks for Skill Development
 - Exploring Educational eBooks
14. Embracing eBook Trends
- Integration of Multimedia Elements
 - Interactive and Gamified eBooks

Flstf Fat Boy Service Manual 94 Introduction

Free PDF Books and Manuals for Download: Unlocking Knowledge at Your Fingertips In today's fast-paced digital age, obtaining valuable knowledge has become easier than ever. Thanks to the internet, a vast array of books and manuals are now available for free download in PDF format. Whether you are a student, professional, or simply an avid reader, this treasure trove of downloadable resources offers a wealth of information, conveniently accessible anytime, anywhere. The advent of online libraries and platforms dedicated to sharing knowledge has revolutionized the way we consume information. No longer confined to physical libraries or bookstores, readers can now access an extensive collection of digital books and manuals with just a few clicks. These resources, available in PDF, Microsoft Word, and PowerPoint formats, cater to a wide range of interests, including literature, technology, science, history, and much more. One notable platform where you can explore and download free Flstf Fat Boy Service Manual 94 PDF books and manuals is the internet's largest free library. Hosted online, this catalog compiles a vast assortment of documents, making it a veritable goldmine of knowledge. With its easy-to-use website interface and customizable PDF generator, this platform offers a user-friendly experience, allowing individuals to effortlessly navigate and access the information they seek. The availability of free PDF books and manuals on this platform demonstrates its commitment to democratizing education and empowering individuals with the tools needed to succeed in their chosen fields. It allows anyone, regardless of their background or financial limitations, to expand their horizons and gain insights from experts in various disciplines. One of the most significant advantages of downloading PDF books and manuals lies in their portability. Unlike physical copies, digital books can be stored and carried on a single device, such as a tablet or smartphone, saving valuable space and weight. This convenience makes it possible for readers to have their entire library at their fingertips, whether they are commuting, traveling, or simply enjoying a lazy afternoon at home. Additionally, digital files are easily searchable, enabling readers to locate specific information within seconds. With a few keystrokes, users can search for keywords, topics, or phrases, making research and finding relevant information a breeze. This efficiency saves time and effort, streamlining the learning process and allowing individuals to focus on extracting the information they need. Furthermore, the availability of free PDF books and manuals fosters a culture of continuous learning. By removing financial barriers, more people can access educational resources and pursue lifelong learning, contributing to

personal growth and professional development. This democratization of knowledge promotes intellectual curiosity and empowers individuals to become lifelong learners, promoting progress and innovation in various fields. It is worth noting that while accessing free Flstf Fat Boy Service Manual 94 PDF books and manuals is convenient and cost-effective, it is vital to respect copyright laws and intellectual property rights. Platforms offering free downloads often operate within legal boundaries, ensuring that the materials they provide are either in the public domain or authorized for distribution. By adhering to copyright laws, users can enjoy the benefits of free access to knowledge while supporting the authors and publishers who make these resources available. In conclusion, the availability of Flstf Fat Boy Service Manual 94 free PDF books and manuals for download has revolutionized the way we access and consume knowledge. With just a few clicks, individuals can explore a vast collection of resources across different disciplines, all free of charge. This accessibility empowers individuals to become lifelong learners, contributing to personal growth, professional development, and the advancement of society as a whole. So why not unlock a world of knowledge today? Start exploring the vast sea of free PDF books and manuals waiting to be discovered right at your fingertips.

FAQs About Flstf Fat Boy Service Manual 94 Books

What is a Flstf Fat Boy Service Manual 94 PDF? A PDF (Portable Document Format) is a file format developed by Adobe that preserves the layout and formatting of a document, regardless of the software, hardware, or operating system used to view or print it. **How do I create a Flstf Fat Boy Service Manual 94 PDF?** There are several ways to create a PDF: Use software like Adobe Acrobat, Microsoft Word, or Google Docs, which often have built-in PDF creation tools. Print to PDF: Many applications and operating systems have a "Print to PDF" option that allows you to save a document as a PDF file instead of printing it on paper. Online converters: There are various online tools that can convert different file types to PDF. **How do I edit a Flstf Fat Boy Service Manual 94 PDF?** Editing a PDF can be done with software like Adobe Acrobat, which allows direct editing of text, images, and other elements within the PDF. Some free tools, like PDFescape or Smallpdf, also offer basic editing capabilities. **How do I convert a Flstf Fat Boy Service Manual 94 PDF to another file format?** There are multiple ways to convert a PDF to another format: Use online converters like Smallpdf, Zamzar, or Adobe Acrobats export feature to convert PDFs to formats like Word, Excel, JPEG, etc. Software like Adobe Acrobat, Microsoft Word, or other PDF editors may have options to export or save PDFs in different formats. **How do I password-protect a Flstf Fat Boy Service Manual 94 PDF?** Most PDF editing software allows you to add password protection. In Adobe Acrobat, for instance, you can go to "File" -> "Properties" -> "Security" to set a password to restrict access or editing capabilities. Are there any free alternatives to Adobe Acrobat for working with PDFs? Yes, there are many free alternatives for working with PDFs, such

as: LibreOffice: Offers PDF editing features. PDFsam: Allows splitting, merging, and editing PDFs. Foxit Reader: Provides basic PDF viewing and editing capabilities. How do I compress a PDF file? You can use online tools like Smallpdf, I LovePDF, or desktop software like Adobe Acrobat to compress PDF files without significant quality loss. Compression reduces the file size, making it easier to share and download. Can I fill out forms in a PDF file? Yes, most PDF viewers/editors like Adobe Acrobat, Preview (on Mac), or various online tools allow you to fill out forms in PDF files by selecting text fields and entering information. Are there any restrictions when working with PDFs? Some PDFs might have restrictions set by their creator, such as password protection, editing restrictions, or print restrictions. Breaking these restrictions might require specific software or tools, which may or may not be legal depending on the circumstances and local laws.

Find Flstf Fat Boy Service Manual 94 :

**inclusion strategies for students wlearning etc 2nd
indoor air and human health**

indoeuropean language and culture an introduction

index volume 7 1

indispensable scales exercs hardcover by

independent travelers greek island hopping 2001

indexes for the mas publications 1989.

indonesia the sukarno years by kosut hal

in troubles arms

including lowerachievers in the literacy hour year 6

income generation handbook a practical guide for educational institutions

independent lives hc

incorporate now 4th edition the national corporation kit the legal selfhelp series

incomparable world

incredible edible glutenfree food for kids 150 familytested recipes

Flstf Fat Boy Service Manual 94 :

Advanced Accounting Chapter 2 Advanced Accounting 12th edition Hoyle, Schaefer, & Douppnik McGraw Hill Education ISBN 978-0-07-786222-0 Solution Manual for Chapter 2 chapter 02 consolidation. Advanced Accounting Chapter 2 - Solution

Manual SOLUTIONS TO CASES It is important to recognize that the notes to the consolidated financial statements are regarded as an integral part of the financial ... Advanced Accounting - Chapter 2 Flashcards Study with Quizlet and memorize flashcards containing terms like • The acquisition method embraces the, A business combination is the formation of a single ... Advanced Accounting Chapter 2 Comprehensive Problem Advanced Accounting Chapter 2 Comprehensive Problem - Free download as PDF File (.pdf), Text File (.txt) or read online for free. Advanced Accounting 12e by ... Chapter 2 Solutions | Advanced Accounting 12th Edition Access Advanced Accounting 12th Edition Chapter 2 solutions now. Our solutions are written by Chegg experts so you can be assured of the highest quality! Solutions Manual for Advanced Accounting 11th Edition by ... Accounting 11th Edition by Beams, Advanced Accounting;Beams;Solutions ... Chapter 2 STOCK INVESTMENTS — INVESTOR ACCOUNTING AND REPORTING Answers to Questions 1. Advanced Accounting Homework Answers - Chapter 2 ... Problem 1 ANSWER: a.Investment in Supernova (75,000 \$20) 1,500,000 Common Stock (75,000 x \$3)225,000 Paid-in Capital in Excess of Par1,275,000 Acquisition ... Ch. 2 solutions Advanced - Studylib CHAPTER 2 SOLUTIONS TO MULTIPLE CHOICE QUESTIONS, EXERCISES AND PROBLEMS MULTIPLE CHOICE QUESTIONS 1. b Only the advanced production technology and customer ... Advanced Accounting - Chapter 2 - Part 2 - Acquisition when ... (PDF) Chapter 2 STOCK INVESTMENTS — INVESTOR ... This paper reviews fair value accounting method relative to historical cost accounting. Although both methods are widely used by entities in computing their ... An Introduction to Behavioral Economics: Wilkinson, Nick ... The third edition of this successful textbook is a comprehensive, rigorous survey of the major topics in the field of behavioral economics. An Introduction to Behavioral Economics: : Nick Wilkinson Dec 27, 2017 — A thoroughly updated third edition of this popular textbook which covers cutting-edge behavioural economics in a pleasingly engaging style. An Introduction to Behavioral Economics NICK WILKINSON is Professor at Richmond the American International University in London and has taught economics and finance in various international ... An Introduction to Behavioral Economics CHAPTER 4 Beliefs, Heuristics and Biases. 4.1. The standard model. 117. 4.2. Probability estimation. 119. 4.3. Self-evaluation bias. An Introduction to Behavioral Economics 3rd edition An Introduction to Behavioral Economics 3rd Edition is written by Nick Wilkinson; Matthias Klaes and published by Bloomsbury Academic. An Introduction to Behavioral Economics The third edition of this successful textbook is a comprehensive, rigorous survey of the major topics in the field of behavioral economics. An Introduction to Behavioral Economics by Nick Wilkinson The third edition of this successful textbook is a comprehensive, rigorous survey of the major topics in the field of behavioral economics. An Introduction to Behavioral Economics By Nick Wilkinson, Matthias Klaes, ISBN: 9780230291461, Paperback. Bulk books at wholesale prices. Min. 25 copies. Free Shipping & Price Match Guarantee. An Introduction to Behavioral Economics — Discovery by N Wilkinson · 2017 · Cited by 838 — The third edition of this successful textbook is a comprehensive, rigorous survey of the major topics in the field of behavioral economics. An Introduction to Behavioral Economics by Wilkinson, Nick

Wilkinson, Nick ; Title: An Introduction to Behavioral Economics ; Publisher: Palgrave Macmillan ; Publication Date: 2012 ; Binding: Paperback ; Condition: new. The Laughing Classroom: Everyone's Guide to Teaching ... The book gives teachers 50 ways to say "you did OK," 15 play breaks, and humorous homework assignments to make the task fun. This edition includes a new ... The Laughing Classroom THE LAUGHING CLASSROOM; EVERYONE'S GUIDE TO TEACHING WITH HUMOR AND PLAY. This book helps move teachers from a "limiting" teaching style to a "laughing ... The Laughing Classroom: Everyone's Guide to Teaching ... The Laughing Classroom: Everyone's Guide to Teaching with Humor and Play. By Diana Loomans, Karen Kolberg. About this book ... The Laughing Classroom: Everyone's Guide to Teaching ... The book gives teachers 50 ways to say "you did OK," 15 play breaks, and humorous homework assignments to make the task fun. This edition includes a new ... The Laughing Classroom: Everyone's Guide to Teaching ... Apr 1, 1993 — Read 9 reviews from the world's largest community for readers. What distinguishes a boring classroom from a learning classroom? Laughter. Everyone's Guide to Teaching with Humor and Play: Diana ... The Laughing Classroom: Everyone's Guide to Teaching with Humor and Play is a Used Trade Paperback available to purchase and shipped from Firefly Bookstore ... The Laughing Classroom: Everyone's Guide to Teaching ... What distinguishes a boring classroom from a learning classroom? Laughter. This book helps move teachers from a "limiting" teaching style to a "laughing" ... The Laughing Classroom: Everyone's Guide to Teaching ... THE LAUGHING CLASSROOM is packed with hands-on techniques for applying humor & play to all aspects of teaching-- techniques that have been successful for ... The Laughing Classroom, Everyone's Guide to Teaching ... by J Morgan · 1995 · Cited by 1 — The Laughing Classroom is filled with hands-on techniques to try in any situation. From one-minute warm-ups (making three faces, passing the compliment, mental ... The Laughing Classroom: Everyone's Guide to Teaching ... The Laughing Classroom: Everyone's Guide to Teaching with Humor and Play (Loomans, Diane) by Loomans, Diana; Kolberg, Karen - ISBN 10: 0915811995 - ISBN 13: ...