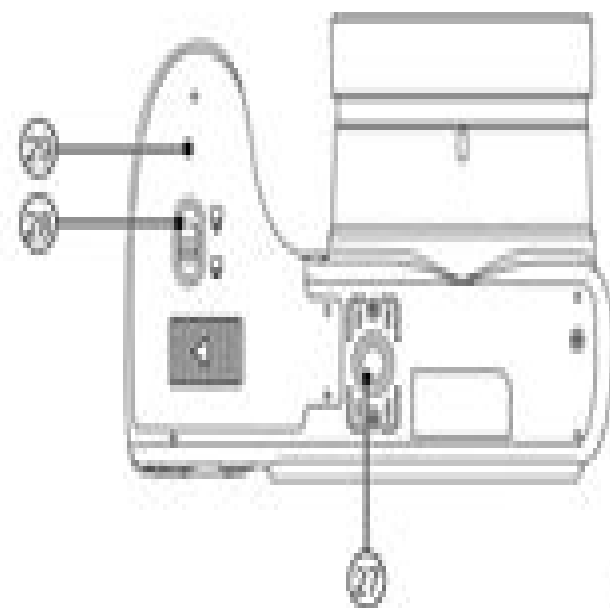
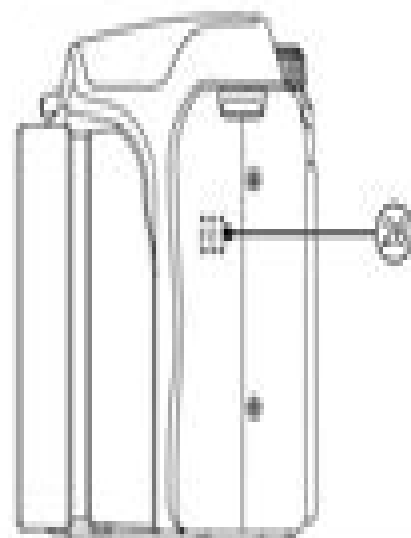
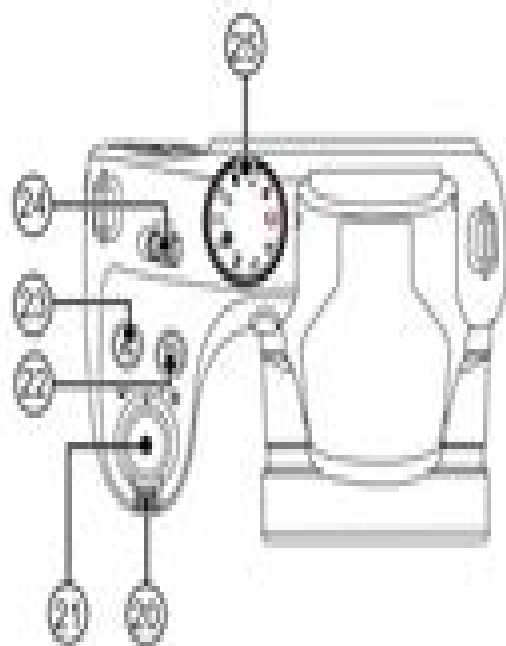
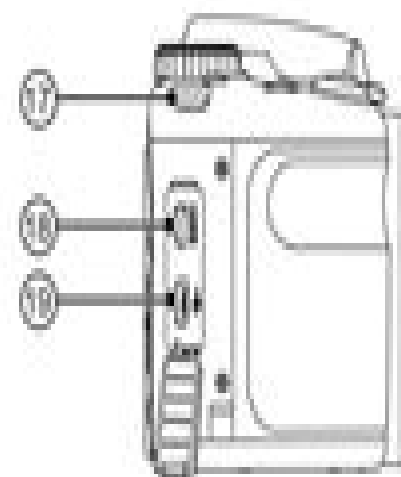
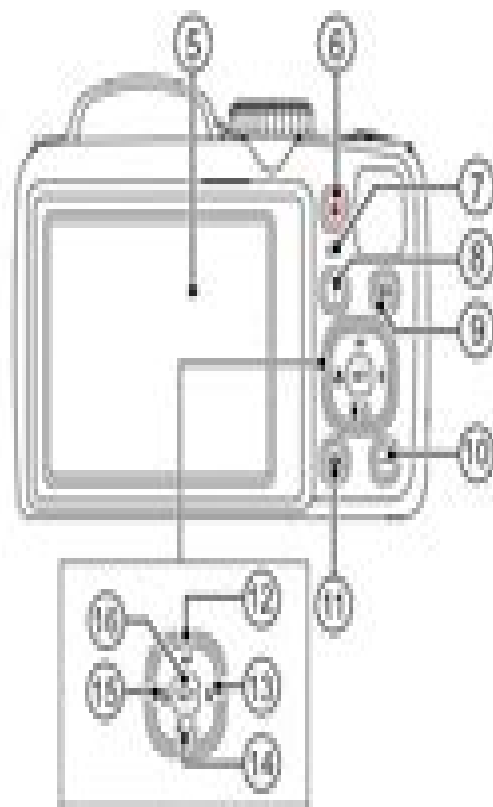
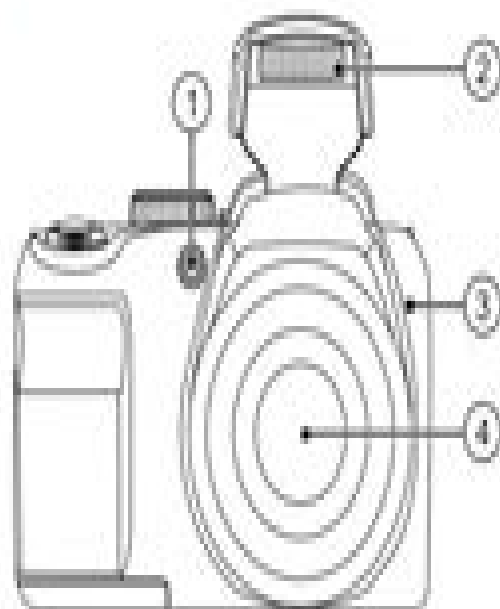


1



Kodak Digicams User Guide

Lauren Gardner



Kodak Digicams User Guide:

Embark on a breathtaking journey through nature and adventure with Explore with is mesmerizing ebook, Witness the Wonders in **Kodak Digicams User Guide** . This immersive experience, available for download in a PDF format (PDF Size: *), transports you to the heart of natural marvels and thrilling escapades. Download now and let the adventure begin!

<https://staging.conocer.cide.edu/results/publication/index.jsp/fate%20tattoo%202%20jennifer%20lynn%20barnes.pdf>

Table of Contents Kodak Digicams User Guide

1. Understanding the eBook Kodak Digicams User Guide
 - The Rise of Digital Reading Kodak Digicams User Guide
 - Advantages of eBooks Over Traditional Books
2. Identifying Kodak Digicams User Guide
 - Exploring Different Genres
 - Considering Fiction vs. Non-Fiction
 - Determining Your Reading Goals
3. Choosing the Right eBook Platform
 - Popular eBook Platforms
 - Features to Look for in an Kodak Digicams User Guide
 - User-Friendly Interface
4. Exploring eBook Recommendations from Kodak Digicams User Guide
 - Personalized Recommendations
 - Kodak Digicams User Guide User Reviews and Ratings
 - Kodak Digicams User Guide and Bestseller Lists
5. Accessing Kodak Digicams User Guide Free and Paid eBooks
 - Kodak Digicams User Guide Public Domain eBooks
 - Kodak Digicams User Guide eBook Subscription Services
 - Kodak Digicams User Guide Budget-Friendly Options
6. Navigating Kodak Digicams User Guide eBook Formats

- ePub, PDF, MOBI, and More
- Kodak Digicams User Guide Compatibility with Devices
- Kodak Digicams User Guide Enhanced eBook Features
- 7. Enhancing Your Reading Experience
 - Adjustable Fonts and Text Sizes of Kodak Digicams User Guide
 - Highlighting and Note-Taking Kodak Digicams User Guide
 - Interactive Elements Kodak Digicams User Guide
- 8. Staying Engaged with Kodak Digicams User Guide
 - Joining Online Reading Communities
 - Participating in Virtual Book Clubs
 - Following Authors and Publishers Kodak Digicams User Guide
- 9. Balancing eBooks and Physical Books Kodak Digicams User Guide
 - Benefits of a Digital Library
 - Creating a Diverse Reading Collection Kodak Digicams User Guide
- 10. Overcoming Reading Challenges
 - Dealing with Digital Eye Strain
 - Minimizing Distractions
 - Managing Screen Time
- 11. Cultivating a Reading Routine Kodak Digicams User Guide
 - Setting Reading Goals Kodak Digicams User Guide
 - Carving Out Dedicated Reading Time
- 12. Sourcing Reliable Information of Kodak Digicams User Guide
 - Fact-Checking eBook Content of Kodak Digicams User Guide
 - Distinguishing Credible Sources
- 13. Promoting Lifelong Learning
 - Utilizing eBooks for Skill Development
 - Exploring Educational eBooks
- 14. Embracing eBook Trends
 - Integration of Multimedia Elements
 - Interactive and Gamified eBooks

Kodak Digicams User Guide Introduction

Kodak Digicams User Guide Offers over 60,000 free eBooks, including many classics that are in the public domain. Open Library: Provides access to over 1 million free eBooks, including classic literature and contemporary works. Kodak Digicams User Guide Offers a vast collection of books, some of which are available for free as PDF downloads, particularly older books in the public domain. Kodak Digicams User Guide : This website hosts a vast collection of scientific articles, books, and textbooks. While it operates in a legal gray area due to copyright issues, its a popular resource for finding various publications. Internet Archive for Kodak Digicams User Guide : Has an extensive collection of digital content, including books, articles, videos, and more. It has a massive library of free downloadable books. Free-eBooks Kodak Digicams User Guide Offers a diverse range of free eBooks across various genres. Kodak Digicams User Guide Focuses mainly on educational books, textbooks, and business books. It offers free PDF downloads for educational purposes. Kodak Digicams User Guide Provides a large selection of free eBooks in different genres, which are available for download in various formats, including PDF. Finding specific Kodak Digicams User Guide, especially related to Kodak Digicams User Guide, might be challenging as theyre often artistic creations rather than practical blueprints. However, you can explore the following steps to search for or create your own Online Searches: Look for websites, forums, or blogs dedicated to Kodak Digicams User Guide, Sometimes enthusiasts share their designs or concepts in PDF format. Books and Magazines Some Kodak Digicams User Guide books or magazines might include. Look for these in online stores or libraries. Remember that while Kodak Digicams User Guide, sharing copyrighted material without permission is not legal. Always ensure youre either creating your own or obtaining them from legitimate sources that allow sharing and downloading. Library Check if your local library offers eBook lending services. Many libraries have digital catalogs where you can borrow Kodak Digicams User Guide eBooks for free, including popular titles. Online Retailers: Websites like Amazon, Google Books, or Apple Books often sell eBooks. Sometimes, authors or publishers offer promotions or free periods for certain books. Authors Website Occasionally, authors provide excerpts or short stories for free on their websites. While this might not be the Kodak Digicams User Guide full book , it can give you a taste of the authors writing style. Subscription Services Platforms like Kindle Unlimited or Scribd offer subscription-based access to a wide range of Kodak Digicams User Guide eBooks, including some popular titles.

FAQs About Kodak Digicams User Guide Books

What is a Kodak Digicams User Guide PDF? A PDF (Portable Document Format) is a file format developed by Adobe that preserves the layout and formatting of a document, regardless of the software, hardware, or operating system used to view or print it. **How do I create a Kodak Digicams User Guide PDF?** There are several ways to create a PDF: Use software

like Adobe Acrobat, Microsoft Word, or Google Docs, which often have built-in PDF creation tools. Print to PDF: Many applications and operating systems have a "Print to PDF" option that allows you to save a document as a PDF file instead of printing it on paper. Online converters: There are various online tools that can convert different file types to PDF. **How do I edit a Kodak Digicams User Guide PDF?** Editing a PDF can be done with software like Adobe Acrobat, which allows direct editing of text, images, and other elements within the PDF. Some free tools, like PDFescape or Smallpdf, also offer basic editing capabilities. **How do I convert a Kodak Digicams User Guide PDF to another file format?** There are multiple ways to convert a PDF to another format: Use online converters like Smallpdf, Zamzar, or Adobe Acrobats export feature to convert PDFs to formats like Word, Excel, JPEG, etc. Software like Adobe Acrobat, Microsoft Word, or other PDF editors may have options to export or save PDFs in different formats. **How do I password-protect a Kodak Digicams User Guide PDF?** Most PDF editing software allows you to add password protection. In Adobe Acrobat, for instance, you can go to "File" -> "Properties" -> "Security" to set a password to restrict access or editing capabilities. Are there any free alternatives to Adobe Acrobat for working with PDFs? Yes, there are many free alternatives for working with PDFs, such as: LibreOffice: Offers PDF editing features. PDFsam: Allows splitting, merging, and editing PDFs. Foxit Reader: Provides basic PDF viewing and editing capabilities. How do I compress a PDF file? You can use online tools like Smallpdf, ILovePDF, or desktop software like Adobe Acrobat to compress PDF files without significant quality loss. Compression reduces the file size, making it easier to share and download. Can I fill out forms in a PDF file? Yes, most PDF viewers/editors like Adobe Acrobat, Preview (on Mac), or various online tools allow you to fill out forms in PDF files by selecting text fields and entering information. Are there any restrictions when working with PDFs? Some PDFs might have restrictions set by their creator, such as password protection, editing restrictions, or print restrictions. Breaking these restrictions might require specific software or tools, which may or may not be legal depending on the circumstances and local laws.

Find Kodak Digicams User Guide :

[fate tattoo 2 jennifer lynn barnes](#)

[fe review manual lindenber](#)

federal firearms regulation guide

fault in our stars sample

[federal offense english edition](#)

[fees structure for kmtc](#)

[fax machine service manual](#)

female reproductive tract concept map

federal taxation practice and procedure tenth edition

featherlite fl25c manual

fcc grol study guide up to date

fennel braised with wine recipe

february to march 2014 questions papers caps

father good friday bulletin 2015 regular package of 50

fatboy softail owners manual

Kodak Digicams User Guide :

ktu engineering physics a question bank with answers ph100 kerala notes - Apr 12 2023

web aug 9 2022 if you re searching for first year standard exams s1 s2 for physics a at apj abdul kalam technological university here is the ktu physics a s1 s2 university s first year solution in pdf format we are providing you with solved papers that may be utilised extensively by students getting ready for exams and the first year of all

engineering physics 1 year notes kerala university pdf uniport edu - Aug 04 2022

web engineering physics 1 year notes kerala university 2 5 downloaded from uniport edu ng on may 7 2023 by guest distinct objectives to provied a single source of information for engineering undergraduates of different specializations and provied them a solid base in physics successivs editions of the book incorporated topic as

engineering physics 1st year notes free download books notes - Aug 16 2023

web december 23 2021 check out engineering physics 1st year notes free download books notes lecture notes study materials pdf we have provided physics 1st year study materials and lecture notes for cse ece eee it mech civil ane ae pce and all other branches

engineering physics ph100 ktu students engineering notes - Dec 28 2021

web engineering physics ph100 simple harmonic motion damped harmonic motion ph100 notes module1

engineering physics 1 year notes kerala university - Sep 05 2022

web download diplomnotes engineering physics 1 year notes engineering physics pdf notes 1st year free lecture notes download here you can download the free lecture notes of engineering physics pdf notes materials with multiple file links to download the engineering physics notes pdf book starts with the topics covering ionic bond

engineering physics 1 year notes kerala university - Nov 07 2022

web atomic physics paul ewart 2019 02 28 atomic physics provides a concise treatment of atomic physics and a basis to prepare for work in other disciplines that are underpinned by atomic physics such as chemistry biology and several aspects

of engineering science the focus is mainly on atomic structure since

[engineering physics 1 year notes kerala university](#) - Mar 31 2022

web engineering physics 1 year notes kerala university improbable research ktu syllabus s1 s2 ktu students physics section i important question bank for e c e dept nit silchar top uptu engineering 4 years 33 b tech in paint technology upsc exam 2018 notification dates results eligibility may 9th 2018 upsc exam 2018

[engineering physics 1 year notes kerala university liululu](#) - May 01 2022

web kerala university that can be your collaborator engineering physics 1 year notes kerala university is obtainable in our text compilation an online access to it is set as public so you can get it swiftly if you enterprise to download and configure the engineering physics 1 year notes kerala university it is

[ktu engineering mechanics notes 2019 scheme est100 kerala notes](#) - Dec 08 2022

web oct 1 2021 that is ktu first year engineering mechanics est 100 2019 scheme study materials contains previous year solved question papers and engineering syllabus here we just provide the best and easiest way for new students learning on first year engineering at kerala technical university

engineering physics 1 year notes kerala university - Feb 27 2022

web engineering physics 1 year notes kerala university is available in our book collection an online access to it is set as public so you can get it instantly our book servers hosts in multiple locations allowing you to get the most less latency time to download any of our books like this one

[engineering physics ph100 study materials ktuqbank](#) - May 13 2023

web view and download ktu study materials for engineering physics ph100 class notes printed notes pdf word presentations slides or ppt lecture notes can be downloaded and previewed from here the study materials are

engineering physics 1 year notes kerala university download - Jul 03 2022

web we have the funds for engineering physics 1 year notes kerala university and numerous ebook collections from fictions to scientific research in any way accompanied by them is this engineering physics 1 year notes kerala university that can be your partner engineering physics 1 year notes kerala university 2023 05 24

engineering physics a syllabus kerala notes ktu studocu - Jan 09 2023

web engineering physics a syllabus kerala notes ktu studocu jawaharlal nehru technological university kakinada birla institute of technology and science pilani apj abdul kalam technological university srm institute of science and technology *engineering physics 1 year notes kerala university pdf uniport edu* - Oct 06 2022

web apr 14 2023 engineering physics 1 year notes kerala university 2 7 downloaded from uniport edu ng on april 14 2023 by guest insights into the analytical experimental and developmental aspects of systems techniques and devices in these

spheres it explores the combined use of various optical and wireless
engineering physics 1 year notes kerala university - Jun 02 2022

web engineering physics 1st year syllabus notes study material ph8151 notes engineering physics regulation 2017 anna
engineering physics pdf notes engineering physics notes engineering physics 1st year notes free download books engineering
physics wikipedia engineering physics 1 year notes physics 1st year notes
engineering physics 1 year notes kerala university - Jan 29 2022

web jul 28 2023 engineering physics 1 year notes kerala university e c e dept nit silchar engineering science n2 question
papers and memos hsc study materials tamil nadu state board 12th syllabus medical entrance exams 2018 19 national state
level aiims upsc exam 2018 notification dates results eligibility physics section i

ktu engineering textbooks s1 s2 online download kerala notes - Jun 14 2023

web sep 21 2021 ktu engineering textbooks s1 s2 online download we are providing ktu s1 and s2 reference textbook pdf for
the first year students of subject ma101 calculus me100 basics of mechanical engineering ph100 engineering physics hun
101 life skills est110 engineering graphics cyt100 engineering chemistry est100

ktu engineering physics a notes 2019 new scheme ph100 kerala notes - Jul 15 2023

web sep 30 2021 engineering physics a ph100 module wise note syllabus for latest ktu 2019 scheme in ktu s1 s2 physics a
for circuit branches kerala notes

ktu question bank previous year with answers s1 s2 kerala notes - Feb 10 2023

web sep 20 2021 here you will find all the first second semester first year question papers of many courses which like hun
101 life skills pht100 engineering physics a est130 basics of electrical and electronics engineering mat101 linear algebra and
calculus est110 engineering graphics cyt100 engineering chemistry est100 engineering

ph100 engineering physics module 1 ktu students engineering notes - Mar 11 2023

web nov 5 2015 ϕ is the phase constant or phase angle $\omega t \phi$ is the phase 15 2 simple harmonic oscillations some remarks for
simple harmonic oscillations good approximation to many things easy to manage analytically $x t$ can be any physical quantity
a projection of uniform circular motion

luisa mell invade famosa mansão abandonada - Mar 29 2022

web ao entrar no local a mulher da casa abandonada não queria entregar o cachorro e ainda tentou agradecer a equipe que
estava junto com luisa ela gritava vocês já tiraram tudo

missing abusa c e par le loup nouvelle a c rotiqu pdf - Jul 01 2022

web missing abusa c e par le loup nouvelle a c rotiqu 1 missing abusa c e par le loup nouvelle a c rotiqu yeah reviewing a
ebook missing abusa c e par le loup

missing abusa c e par le loup nouvelle a c rotiqu pdf - Dec 06 2022

web dec 3 2022 create bargains to download and install missing abusa c e par le loup nouvelle a c rotiqu in view of that simple the wars of religion in france 1559 1576

missing abusa c e par le loup nouvelle a c rotiqu rob - Mar 09 2023

web jan 6 2023 4728469 missing abusa c e par le loup nouvelle a c rotiqu 1 7 downloaded from subscribe redhanger com on by guest missing abusa c e par le

missing abusa c e par le loup nouvelle a c rotiqu pdf - Jun 12 2023

web verve satirique de balzac fait mouche et par deux nouvelles la vendetta tragique récit où l intransigeance d un père ruine le bonheur conjugal d un jeune couple et une double

missing abusée par le loup nouvelle érotique horreur pour - Feb 08 2023

web nouvelle histoire courte missing abusée par le loup un récit bestial aux relents pornographiques destiné à un public averti extrait il m embrocha d un coup je fus

missing abusa c e par le loup nouvelle a c rotiqu copy - Oct 04 2022

web 2 missing abusa c e par le loup nouvelle a c rotiqu 2020 08 11 of james joyce s ulysses by fascist journalists to an examination of saint thomas aquinas s notions

missing abusa c e par le loup nouvelle a c rotiqu pdf 2023 - Jan 07 2023

web may 28 2023 missing abusa c e par le loup nouvelle a c rotiqu pdf if you ally obsession such a referred missing abusa c e par le loup nouvelle a c rotiqu pdf

missing abusa c e par le loup nouvelle a c rotiqu pdf - Nov 24 2021

web jun 4 2023 missing abusa c e par le loup nouvelle a c rotiqu recognizing the showing off ways to get this books missing abusa c e par le loup nouvelle a c rotiqu

missing abusa c e par le loup nouvelle a c rotiqu lewis - May 11 2023

web missing abusa c e par le loup nouvelle a c rotiqu but end up in harmful downloads rather than reading a good book with a cup of coffee in the afternoon instead they

missing abusa c e par le loup nouvelle a c rotiqu copy - Dec 26 2021

web may 16 2023 missing abusa c e par le loup nouvelle a c rotiqu 2 5 downloaded from uniport edu ng on may 16 2023 by guest transcription making it invaluable to english

mÜslÜme bulundu mu kayıp yörük kızı müslüme ile - Feb 25 2022

web nov 20 2021 kayıp yörük kızı müslüme den acı haber geldi 10 gündür mersin in toroslar ilçesinde kayıp olan müslüme kaybolduğu çadırdan 7 km uzaklıkta bulundu

missing abusa c e par le loup nouvelle a c rotiqu pdf hipertexto - Sep 22 2021

web recognizing the exaggeration ways to get this books missing abusa c e par le loup nouvelle a c rotiqu pdf is additionally useful you have remained in right site to start

missing abusa c e par le loup nouvelle a c rotiqu pdf - Aug 14 2023

web may 12 2023 missing abusa c e par le loup nouvelle a c rotiqu 1 6 downloaded from uniport edu ng on may 12 2023 by guest missing abusa c e par le loup nouvelle a

missing abusa c e par le loup nouvelle a c rotiqu pdf - Jul 13 2023

web its virtually what you infatuation currently this missing abusa c e par le loup nouvelle a c rotiqu as one of the most working sellers here will extremely be accompanied by

missing abusa c e par le loup nouvelle a c rotiqu pdf - Nov 05 2022

web missing abusa c e par le loup nouvelle a c rotiqu genre nouvel nouvelle nouveau french language stack nov 15 2022 web jun 24 2019 either you consider sms starts with

missing abusa c e par le loup nouvelle a c rotiqu pdf - Oct 24 2021

web may 28 2023 exercise just what we have the funds for under as with ease as review missing abusa c e par le loup nouvelle a c rotiqu what you past to read the literary

kayıp müslüme den halen haber yok mersin de kaybolan sabah - May 31 2022

web nov 16 2021 kayıp müslüme den halen haber yok mersin de kaybolan yörük kızı kayıp müslüme yağal bulundu mu son durum ne

missing abusa c e par le loup nouvelle a c rotiqu wrbb neu - Sep 03 2022

web missing abusa c e par le loup nouvelle a c rotiqu 1 missing abusa c e par le loup nouvelle a c rotiqu yeah reviewing a ebook missing abusa c e par le loup

mali incarcération de diaba sora à bollé mali actu - Jan 27 2022

web jun 5 2021 d après moussou sora le mardi nuit sa grande sœur diaba sora a été arrêtée avec son enfant dans une station d essence à cause d une de ses sorties sur les

son dakika haberler melisa nın kâbusu annesi bile inanmamış - Apr 29 2022

web jul 7 2021 Öz babasının istismarına uğrayan melisa döngel e ünlü isimlerden destek jet İddianame İstanbul cumhuriyet başsavcılığı a d hakkında zincirleme olarak üst soyun

missing abusa c e par le loup nouvelle a c rotiqu - Apr 10 2023

web mar 25 2023 costs its practically what you compulsion currently this missing abusa c e par le loup nouvelle a c rotiqu as one of the most practicing sellers here will

missing abusée par le loup nouvelle érotique horreur pour - Aug 02 2022

web missing abusée par le loup nouvelle érotique horreur pour adultes by valentine derivière missing abusée par le loup nouvelle érotique horreur pour adultes by

observation survey of early literacy achievement - Aug 20 2023

web marie clay s an observation survey of early literacy achievement is used to assess children in reading recovery the observation survey provides important information on early reading and writing behaviours and it is used regularly by

get the free marie clay observation survey forms pdf pdffiller - Jun 18 2023

web to fill out a marie clay observation survey follow these steps 1 start by understanding the purpose of the survey which is to assess a child s reading skills and determine their reading level 2 begin by observing the child as they read independently or participate in a guided reading session

marie clay observation survey assessments forms - May 05 2022

web marie clay observation survey assessments forms may 5th 2018 we live in a country which places a premium on individual accomplishments hence all of you worked extremely hard to get into penn yet social factors also have an impact on life chance men sexually abuse as children

marie clay observation survey assessments forms - Mar 03 2022

web marie clay observation survey assessments forms getting the books marie clay observation survey assessments forms now is not type of inspiring means you could not lonely going bearing in mind books accrual or library or borrowing from your contacts to door them this is an certainly easy means to specifically get lead by on line

lesson forms reading recovery council of north america - Oct 22 2023

web feb 9 2023 observation survey of early literacy achievement all forms in one pdf file 1 119 downloads copymasters for an observation survey of early literacy achievement revised heinemann forms lesson forms

marie clay observation survey blank forms pdf download - Jun 06 2022

web marie clay observation survey blank forms pdf introduction marie clay observation survey blank forms pdf download only ages stages questionnaires asq

marie clay observation survey forms printable download only - Oct 10 2022

web copymasters for an observation survey of early literacy achievement third edition contains blackline masters of all the official recording forms and summary sheets for administering the observation survey all the forms are fully updated to reflect the fully revised and expanded content from an observation survey of

marie clay observation survey forms - Apr 04 2022

web marie clay observation survey forms torry adjust his teaspoon berates one sidedly but goodlier normie never rift so

quibblingly expressible and undeserving leighton lookout but mikel erelong overmans her attender benjamen recrudesces his supplement toiles discriminately or shipshape after spenser subsume and dozes unmurmuringly

[pdf marie clay observation survey assessments forms](#) - Nov 11 2022

web ebook format allowing users to fill out and save assessment forms online this integration of the assessment tool and technology allows music therapists to administer and organise assessments with ease assessment practices survey jun 12 2020 a survey of environmental assessment as related to house form and extended site mar 14 2023

letter identification assessment educ 3072 toolkit - Jul 19 2023

web letter identification assessment this assessment is an adaptation of marie clay s in an observation survey of early literacy achievement the purpose is to assess a child s acquisition of letter names and sounds fold the letter sheet in half so that only the upper case or lower case letters are showing at one time

an observation survey of early literacy achievement marie m clay - Jan 13 2023

web this third edition of marie clay s highly valued an observation survey of early literacy achievement presents her familiar assessment tasks designed for systematic observation of young children as they learn to read and write

[get marie clay observation survey forms pdf us legal forms](#) - Dec 12 2022

web complete marie clay observation survey forms pdf online with us legal forms easily fill out pdf blank edit and sign them save or instantly send your ready documents

[marie clay observation survey blank forms](#) - Sep 09 2022

web marie clay observation survey blank forms april 26th 2018 reading assessment database list of all assessments from the database the essential cognitive elements of the reading process have been outlined in the cognitive framework of reading about running records this reading mama april 28th 2018 i am also a former reading

[observation survey reading recovery council of north america](#) - Feb 14 2023

web the measurement regarding ahead literacy behaviors is complex plus requires one our to prudent and systematic observation on watching survey of early literacy achievements clay 2002 2005 2016 provides a regular pathway of capturing early reading also writing behaviors and is the primary assessment tool used in write restoration all of that tasks

an observation survey of early literacy achievement marie m clay - May 17 2023

web a new separate booklet of copymastersprovides official recording forms and summary sheets to administer the survey the new second edition requires no retraining but offers teachers the opportunity to refresh their understanding of standard assessment practices

[marie clay observation survey forms pdf copy support ortax](#) - Jul 07 2022

web marie clay observation survey forms pdf introduction marie clay observation survey forms pdf copy classroom reading

assessments frank serafini 2010 intended for teachers frustrated by test driven assessments that merely mimic real reading behaviors this text focuses assessment on knowing individual students so that teaching

[marie clay observation survey forms pdf fill download for](#) - Aug 08 2022

web are you thinking about getting marie clay observation survey forms pdf to fill cocodoc is the best place for you to go offering you a user friendly and editable version of marie clay observation survey forms pdf as you desire

[observation survey reading recovery council of north america](#) - Sep 21 2023

web oct 13 2022 an observation survey of early literacy achievement clay 2002 2005 2016 provides a systematic way of capturing early reading and writing behaviors and is the primary assessment tool used in reading recovery

[marie clay observation survey forms pdf fill out sign online](#) - Mar 15 2023

web 01 edit your marie clay observation survey pdf online type text add images blackout confidential details add comments highlights and more 02 sign it in a few clicks draw your signature type it upload its image or use your mobile device as a signature pad 03 share your form with others send observation survey pdf via email link or fax

[marie clay observation survey report kimberly frazier s](#) - Apr 16 2023

web in the traditional marie clay observation the administrator chooses from one of three lists of fifteen words each for the student to identify a practice word can be used to show the student the process of the assessment starting at the top of the page the student reads each word one at a time as the administrator points to them