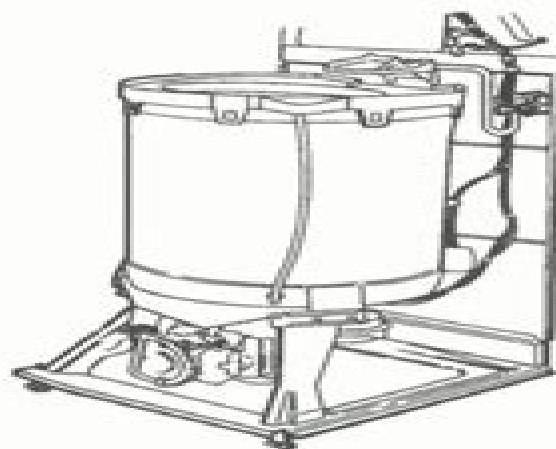




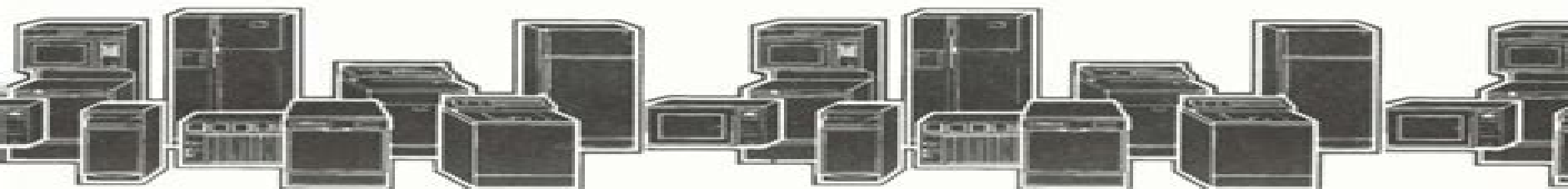
CONSUMER SERVICES TECHNICAL
EDUCATION GROUP PRESENTS

L-55



DIRECT DRIVE WASHERS

JOB AID
Part No. 787930 Rev. A



Kitchenaid Washer Repair Manual

Annelies Wilder-Smith



Kitchenaid Washer Repair Manual:

Right here, we have countless book **Kitchenaid Washer Repair Manual** and collections to check out. We additionally meet the expense of variant types and then type of the books to browse. The agreeable book, fiction, history, novel, scientific research, as with ease as various extra sorts of books are readily within reach here.

As this Kitchenaid Washer Repair Manual, it ends happening best one of the favored books Kitchenaid Washer Repair Manual collections that we have. This is why you remain in the best website to see the unbelievable book to have.

https://staging.conocer.cide.edu/About/scholarship/Download_PDFS/Hsa_Review_Biology_2014.pdf

Table of Contents Kitchenaid Washer Repair Manual

1. Understanding the eBook Kitchenaid Washer Repair Manual
 - The Rise of Digital Reading Kitchenaid Washer Repair Manual
 - Advantages of eBooks Over Traditional Books
2. Identifying Kitchenaid Washer Repair Manual
 - Exploring Different Genres
 - Considering Fiction vs. Non-Fiction
 - Determining Your Reading Goals
3. Choosing the Right eBook Platform
 - Popular eBook Platforms
 - Features to Look for in an Kitchenaid Washer Repair Manual
 - User-Friendly Interface
4. Exploring eBook Recommendations from Kitchenaid Washer Repair Manual
 - Personalized Recommendations
 - Kitchenaid Washer Repair Manual User Reviews and Ratings
 - Kitchenaid Washer Repair Manual and Bestseller Lists
5. Accessing Kitchenaid Washer Repair Manual Free and Paid eBooks
 - Kitchenaid Washer Repair Manual Public Domain eBooks

- Kitchenaid Washer Repair Manual eBook Subscription Services
- Kitchenaid Washer Repair Manual Budget-Friendly Options
- 6. Navigating Kitchenaid Washer Repair Manual eBook Formats
 - ePub, PDF, MOBI, and More
 - Kitchenaid Washer Repair Manual Compatibility with Devices
 - Kitchenaid Washer Repair Manual Enhanced eBook Features
- 7. Enhancing Your Reading Experience
 - Adjustable Fonts and Text Sizes of Kitchenaid Washer Repair Manual
 - Highlighting and Note-Taking Kitchenaid Washer Repair Manual
 - Interactive Elements Kitchenaid Washer Repair Manual
- 8. Staying Engaged with Kitchenaid Washer Repair Manual
 - Joining Online Reading Communities
 - Participating in Virtual Book Clubs
 - Following Authors and Publishers Kitchenaid Washer Repair Manual
- 9. Balancing eBooks and Physical Books Kitchenaid Washer Repair Manual
 - Benefits of a Digital Library
 - Creating a Diverse Reading Collection Kitchenaid Washer Repair Manual
- 10. Overcoming Reading Challenges
 - Dealing with Digital Eye Strain
 - Minimizing Distractions
 - Managing Screen Time
- 11. Cultivating a Reading Routine Kitchenaid Washer Repair Manual
 - Setting Reading Goals Kitchenaid Washer Repair Manual
 - Carving Out Dedicated Reading Time
- 12. Sourcing Reliable Information of Kitchenaid Washer Repair Manual
 - Fact-Checking eBook Content of Kitchenaid Washer Repair Manual
 - Distinguishing Credible Sources
- 13. Promoting Lifelong Learning
 - Utilizing eBooks for Skill Development
 - Exploring Educational eBooks

14. Embracing eBook Trends

- Integration of Multimedia Elements
- Interactive and Gamified eBooks

Kitchenaid Washer Repair Manual Introduction

Free PDF Books and Manuals for Download: Unlocking Knowledge at Your Fingertips In today's fast-paced digital age, obtaining valuable knowledge has become easier than ever. Thanks to the internet, a vast array of books and manuals are now available for free download in PDF format. Whether you are a student, professional, or simply an avid reader, this treasure trove of downloadable resources offers a wealth of information, conveniently accessible anytime, anywhere. The advent of online libraries and platforms dedicated to sharing knowledge has revolutionized the way we consume information. No longer confined to physical libraries or bookstores, readers can now access an extensive collection of digital books and manuals with just a few clicks. These resources, available in PDF, Microsoft Word, and PowerPoint formats, cater to a wide range of interests, including literature, technology, science, history, and much more. One notable platform where you can explore and download free Kitchenaid Washer Repair Manual PDF books and manuals is the internet's largest free library. Hosted online, this catalog compiles a vast assortment of documents, making it a veritable goldmine of knowledge. With its easy-to-use website interface and customizable PDF generator, this platform offers a user-friendly experience, allowing individuals to effortlessly navigate and access the information they seek. The availability of free PDF books and manuals on this platform demonstrates its commitment to democratizing education and empowering individuals with the tools needed to succeed in their chosen fields. It allows anyone, regardless of their background or financial limitations, to expand their horizons and gain insights from experts in various disciplines. One of the most significant advantages of downloading PDF books and manuals lies in their portability. Unlike physical copies, digital books can be stored and carried on a single device, such as a tablet or smartphone, saving valuable space and weight. This convenience makes it possible for readers to have their entire library at their fingertips, whether they are commuting, traveling, or simply enjoying a lazy afternoon at home. Additionally, digital files are easily searchable, enabling readers to locate specific information within seconds. With a few keystrokes, users can search for keywords, topics, or phrases, making research and finding relevant information a breeze. This efficiency saves time and effort, streamlining the learning process and allowing individuals to focus on extracting the information they need. Furthermore, the availability of free PDF books and manuals fosters a culture of continuous learning. By removing financial barriers, more people can access educational resources and pursue lifelong learning, contributing to personal growth and professional development. This democratization of knowledge promotes intellectual curiosity and empowers individuals to become lifelong learners, promoting progress and innovation in various fields. It is worth noting that

while accessing free Kitchenaid Washer Repair Manual PDF books and manuals is convenient and cost-effective, it is vital to respect copyright laws and intellectual property rights. Platforms offering free downloads often operate within legal boundaries, ensuring that the materials they provide are either in the public domain or authorized for distribution. By adhering to copyright laws, users can enjoy the benefits of free access to knowledge while supporting the authors and publishers who make these resources available. In conclusion, the availability of Kitchenaid Washer Repair Manual free PDF books and manuals for download has revolutionized the way we access and consume knowledge. With just a few clicks, individuals can explore a vast collection of resources across different disciplines, all free of charge. This accessibility empowers individuals to become lifelong learners, contributing to personal growth, professional development, and the advancement of society as a whole. So why not unlock a world of knowledge today? Start exploring the vast sea of free PDF books and manuals waiting to be discovered right at your fingertips.

FAQs About Kitchenaid Washer Repair Manual Books

1. Where can I buy Kitchenaid Washer Repair Manual books? Bookstores: Physical bookstores like Barnes & Noble, Waterstones, and independent local stores. Online Retailers: Amazon, Book Depository, and various online bookstores offer a wide range of books in physical and digital formats.
2. What are the different book formats available? Hardcover: Sturdy and durable, usually more expensive. Paperback: Cheaper, lighter, and more portable than hardcovers. E-books: Digital books available for e-readers like Kindle or software like Apple Books, Kindle, and Google Play Books.
3. How do I choose a Kitchenaid Washer Repair Manual book to read? Genres: Consider the genre you enjoy (fiction, non-fiction, mystery, sci-fi, etc.). Recommendations: Ask friends, join book clubs, or explore online reviews and recommendations. Author: If you like a particular author, you might enjoy more of their work.
4. How do I take care of Kitchenaid Washer Repair Manual books? Storage: Keep them away from direct sunlight and in a dry environment. Handling: Avoid folding pages, use bookmarks, and handle them with clean hands. Cleaning: Gently dust the covers and pages occasionally.
5. Can I borrow books without buying them? Public Libraries: Local libraries offer a wide range of books for borrowing. Book Swaps: Community book exchanges or online platforms where people exchange books.
6. How can I track my reading progress or manage my book collection? Book Tracking Apps: Goodreads, LibraryThing, and Book Catalogue are popular apps for tracking your reading progress and managing book collections. Spreadsheets:

You can create your own spreadsheet to track books read, ratings, and other details.

7. What are Kitchenaid Washer Repair Manual audiobooks, and where can I find them? Audiobooks: Audio recordings of books, perfect for listening while commuting or multitasking. Platforms: Audible, LibriVox, and Google Play Books offer a wide selection of audiobooks.
8. How do I support authors or the book industry? Buy Books: Purchase books from authors or independent bookstores. Reviews: Leave reviews on platforms like Goodreads or Amazon. Promotion: Share your favorite books on social media or recommend them to friends.
9. Are there book clubs or reading communities I can join? Local Clubs: Check for local book clubs in libraries or community centers. Online Communities: Platforms like Goodreads have virtual book clubs and discussion groups.
10. Can I read Kitchenaid Washer Repair Manual books for free? Public Domain Books: Many classic books are available for free as they're in the public domain. Free E-books: Some websites offer free e-books legally, like Project Gutenberg or Open Library.

Find Kitchenaid Washer Repair Manual :

hsa review biology 2014

hsc chemistry question paper 23

[hsa algebra and spring break](#)

[hsc 2015 ict suggestion dhaka board](#)

[hsc physics 2nd paper question 2014](#)

hp scanjet 3000 user manual

hsc accounting guide

[hp vp027aa mice owners manual](#)

hsc examination 2015 english question chattagong board

[hsbc card services customer service phone number](#)

[hp scanjet adf e7670a manual](#)

[hsc sindh textbook jamshoro chapter questions answers](#)

[hp v3126 laptops owners manual](#)

[hp proliant ml350 g4 manual](#)

hp photosmart premium printer user manual

Kitchenaid Washer Repair Manual :

Key to Vocab Lessons.pdf Wordly Wise 3000 Book 7 Student Book Answer Key. 3. Page 4. Lesson 3. 3A Finding Meanings p. 23. 1. b-c 5. c-b. 8. d-a. 2. d-a. 6. a-d. 9. a-d. 3. d-a. 7. a-d. Wordly Wise, Grade 7 - Key | PDF PNONawN Wordly Wise 3000 « Student Book Answer Key 7 7 10. The claims are not plausible. 11. The evidence would have to be conclusive. 12. People would ... Wordly Wise 3000 Book 7 & Answer Key It is scheduled as optional in the Language Arts H Instructor's Guide. ... Consumable. Introduces students to 300 vocabulary words. Students learn the meaning and ... Wordly Wise 4th Edition Book 7 Answer Key... www.ebsbooks.ca Wordly Wise 3000 Answer Key Full PDF Grade 11." Wordly Wise 3000 Book 7 AK 2012-04-09 3rd Edition This answer key accompanies the sold- separately Wordly Wise 3000, Book 10, 3rd Edition. WebAug ... Wordly Wise 3000 Book 7: Systematic Academic ... Our resource for Wordly Wise 3000 Book 7: Systematic Academic Vocabulary Development includes answers to chapter exercises, as well as detailed information to ... Wordly Wise 3000 Book 7 - Answer Key Detailed Description The 12-page key to Wordly Wise 3000, Book 7 contains the answers to the exercises. Author: Kenneth Hodkinson Grade: 10 Pages: 12, ... Wordly Wise 3000 book 7 lesson 1 answers Flashcards Study with Quizlet and memorize flashcards containing terms like 1A: 1., 2., 3. and more. Wordly Wise 3000 (4th Edition) Grade 7 Key The Wordly Wise 3000 (4th edition) Grade 7 Answer Key provides the answers to the lesson in the Wordly Wise, 4th edition, Grade 7 student book. All Lab Manuals Pre-Lab Safety Certification & All Lab Manuals · Practice Exams · Course Description ... Experiment 13: Seawater Titration · Experiment 14: Hydrogen Spectrum. Kingsborough Biology 13 Lab Manual Pdf Kingsborough Biology 13 Lab Manual Pdf. INTRODUCTION Kingsborough Biology 13 Lab Manual Pdf. (2023) GENERAL BIOLOGY (BIO 01300) SYLLABUS The required textbook readings and lab manual for this course are both provided online by the instructor. ... LABORATORY OUTLINE BIOLOGY 13. Laboratory Exercises ... Lab Paper Instructions.pdf - BIO 13 - Fall 2022 D. Sprague... In this paper, you will summarize the research question that you are testing (including the most recent scientific literature related to your question), methods ... BIO 13 - CUNY Kingsborough Community College ... Bio 13 Lab manual. To answer the questions, use Wee. Verified Solutions available. BIO 13. CUNY Kingsborough Community College. 16 views · Lab ... BIOLOGY 12 Human Anatomy and Physiology The ebook is supplied for this course at no cost on Blackboard. Lab manual: Laboratory Manual for Human Anatomy and Physiology a hands-on approach- pig version. Development of an Online General Biology Open ... by DY Brogun · 2021 · Cited by 3 — In light of this, we embarked on the development of a comprehensive, fully online, and openly licensed laboratory manual for a second- ... "Manifold Copy Of General Biology Laboratory Manual Oer ... This Open Educational Resource Laboratory Manual was funded in part by the OER Grant at the Kingsborough Community College - The City University of New York. BIO Course Syllabi Course Syllabi · Bio 100 Selected topics in Biology · Bio11 Anatomy and Physiology I · Bio12 Anatomy and Physiology II · Bio13 General Biology I · Bio14 General ... Week 6 Lab Exercise on Diffusion, Osmosis, and Selective ... Some of these

exercises are similar to the exercises in Week 6 of your online Bio 13 Lab manual. ... To answer the questions, go to the following website: youtube ... Eldo RF User's Manual This document contains information that is proprietary to Mentor Graphics Corporation. The original recipient of this document may duplicate this document ... Eldo Platform | Siemens Software Offering a complete solution for verifying analog, RF, and mixed-signal circuits for the automotive, industrial, medical, and other mission-critical markets. Eldo User's Manual ... Free Telephone: 800.592.2210. Website: www.mentor.com. SupportNet: www.mentor ... RF simulations where a piece of microstrip or stripline discontinuity has to ... Eldo Device Equations Manual ... Free Telephone: 800.592.2210. Website: www.mentor.com. SupportNet: supportnet ... RF Parameters 845. Table 24-14 ... Eldo Platform Industry-proven platform for analog-centric circuits, offering a differentiated solution for reliability verification and comprehensive circuit analysis and ... Eldo User Guide | PDF | Bipolar Junction Transistor Eldo User Guide - Free ebook download as PDF File (.pdf), Text File (.txt) or read book online for free. Not an original document. Will be helpful to people ... Eldo Users Manual Dec 31, 2013 — Eldo Users Manual. Eldo Users Manual. Eldo Users Manual. SHOW MORE. SHOW LESS. ePAPER READ · DOWNLOAD ePAPER. TAGS; eldo · manual · parameters ... Eldo Simulation Student WorkBook Apr 5, 2014 — Does anybody have online or pdf file "Eldo Simulation Student Workbook"? (Full version) I am very appreciated if someone can help me. RF CIRCUIT DESIGN (multi-tone) sources as well as a complete RF toolbox, including Smith Chart diagrams, gain and stability circles, and minimum noise figure. Eldo RF is part. ELDO SST and chopper amplifiers simulation does anyone know the SST analysis with the ELDO software? i need it to simulate a chopper amplifier, but i've never used this kind of simulation. Then i'll.